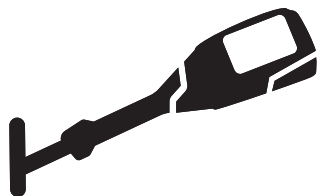




Husqvarna®

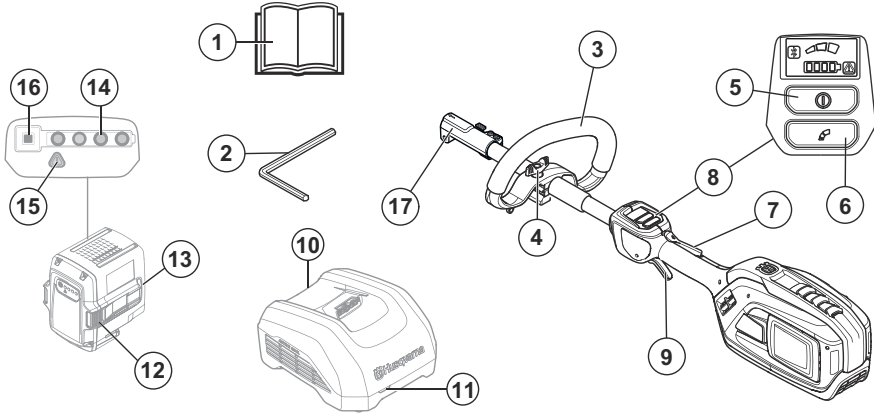


325iLK



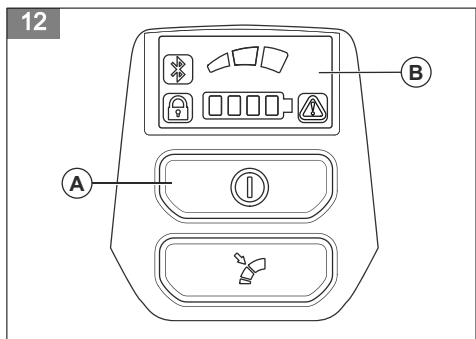
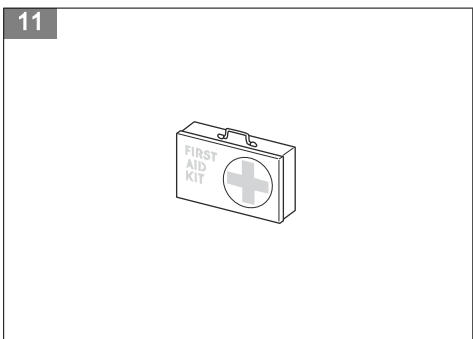
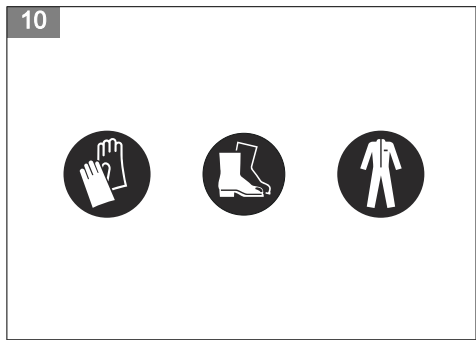
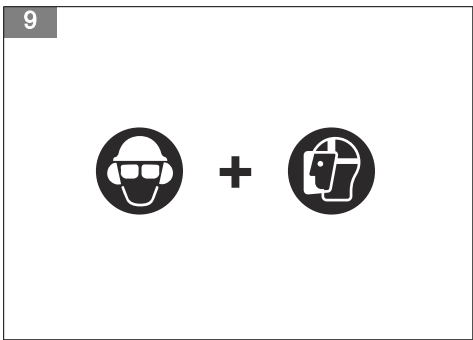
EN	Operator's manual	6-18
SV	Bruksanvisning	19-31
DA	Brugsanvisning	32-44
FI	Käyttöohje	45-57
NO	Bruksanvisning	58-70
FR	Manuel d'utilisation	71-85
NL	Gebruiksaanwijzing	86-99
IT	Manuale dell'operatore	100-113
ES	Manual de usuario	114-127
DE	Bedienungsanweisung	128-143
UK	Посібник користувача	144-158
RU	Руководство по эксплуатации	159-174
HU	Használati utasítás	175-188
PT	Manual do utilizador	189-202
BG	Ръководство за експлоатация	203-218
PL	Instrukcja obsługi	219-233
RO	Instrucțiuni de utilizare	234-247
ET	Kasutusjuhend	248-260
LV	Lietošanas pamācība	261-274
LT	Operatoriaus vadovas	275-288
SK	Návod na obsluhu	289-302
EL	Οδηγίες χρήσης	303-318
ZH	操作手册	319-330
TR	Kullanım kılavuzu	331-343
JA	取扱説明書	344-356
HR	Priručnik za korištenje	357-369
SR	Priručnik za rukovaoca	370-382
SL	Navodila za uporabo	383-395
BS	Korisnički priručnik	396-408
CS	Návod k použití	409-421

1

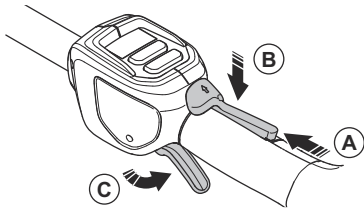


8

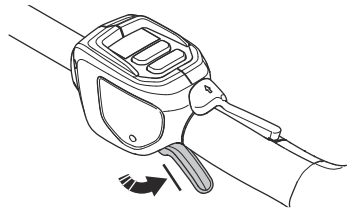
IPX4



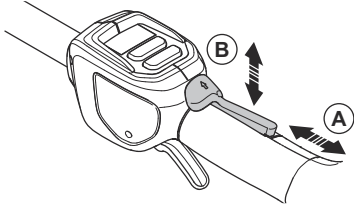
13



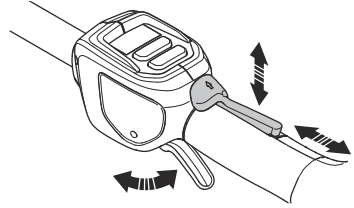
14



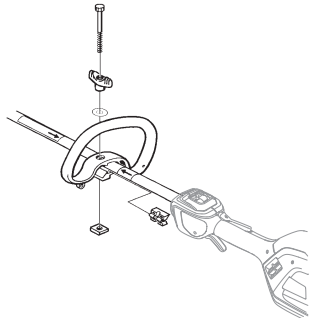
15



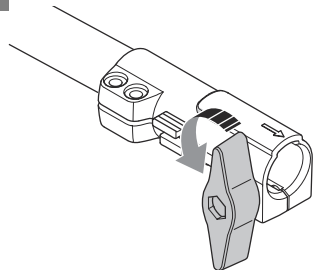
16



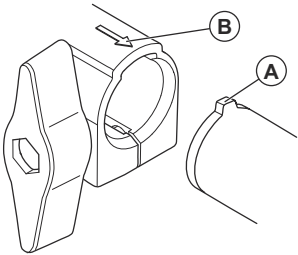
17



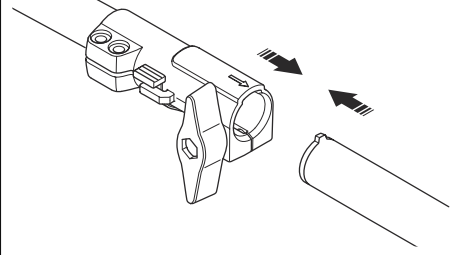
18

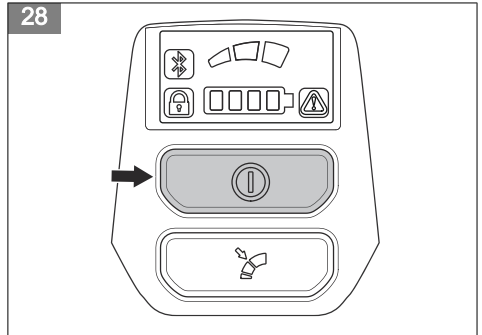
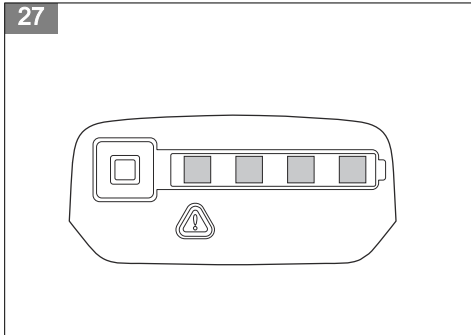
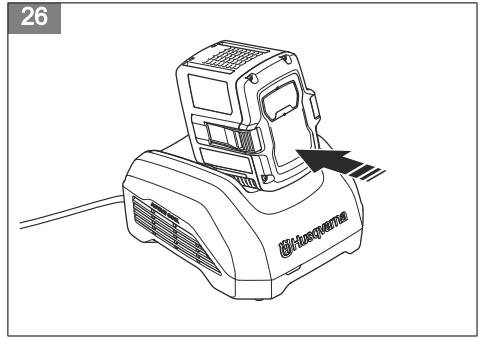
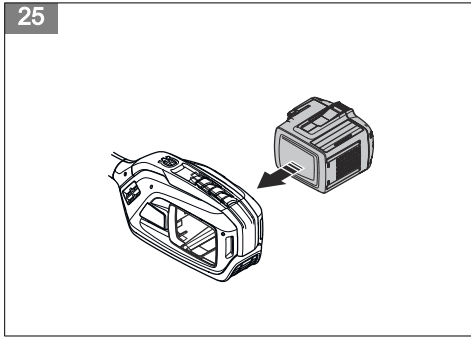
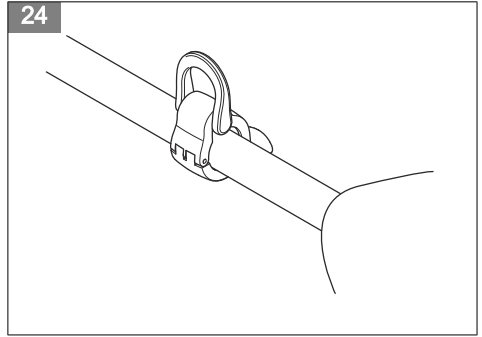
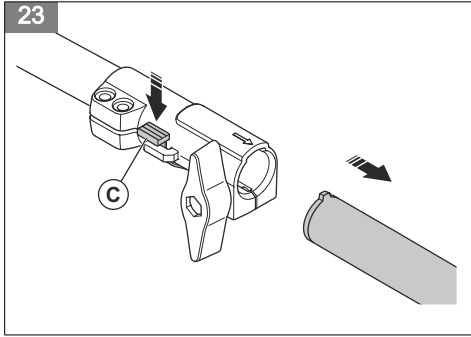
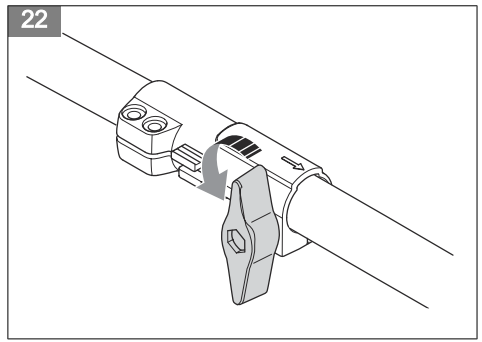
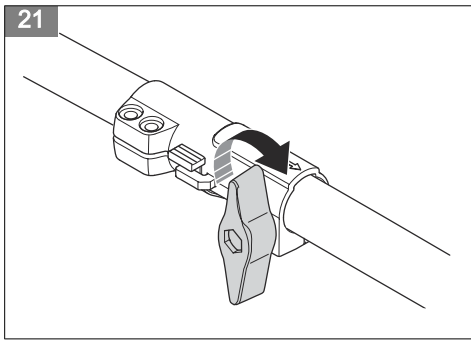


19

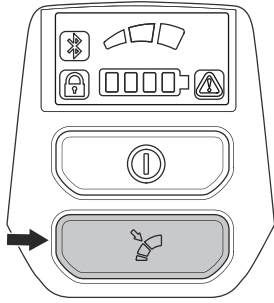


20

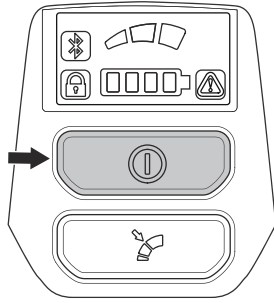




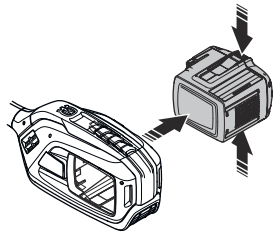
29



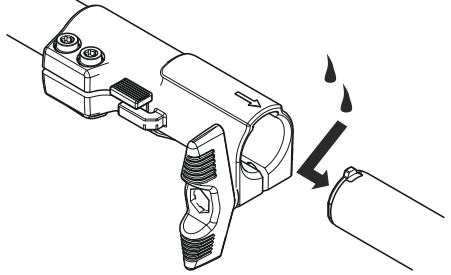
30



31



32



Contents

Introduction.....	6	Troubleshooting.....	15
Safety.....	7	Transportation, storage and disposal.....	15
Assembly.....	12	Technical data.....	16
Operation.....	12	Accessories.....	17
Maintenance.....	14	Declaration of Conformity.....	18

Introduction

Intended use

This power unit is a bare unit that only function together with approved accessories, see those approved

accessories in *Accessories on page 17*. Make sure to read this manual together with the approved accessory manual.

Product overview

(Fig. 1)

1. Operator's manual
2. 4 mm hex
3. Loop handle
4. Knob
5. On/Off button
6. Speed mode button
7. Power trigger lockout
8. User Interface
9. Power trigger
10. Battery charger (accessory)
11. Charging and error indicator on charger
12. Battery release buttons
13. Battery (accessory)
14. LED indicator for the state of charge
15. Warning LED
16. Battery indicator button
17. Coupling for attachment

(Fig. 5) Direct current.

(Fig. 6) The product agrees with the applicable EC directives.

(Fig. 7) Symbols on the product or its packaging indicate that this product cannot be handled as domestic waste. This product must be deposited at an appropriate recycling facility.

(Fig. 8) The product has protection against splashing water.

yyyywwxxxx | The rating plate shows the serial number. **yyyy** is the production year, **ww** is the production week and **xxxx** is the sequential number.

Note: The battery and battery charger can look different between different models.

Note: Other symbols/decals on the product refer to certification requirements for other commercial areas.

Symbols on the product

(Fig. 2) **WARNING!** This product can be dangerous! Careless or incorrect use can result in serious or fatal injury to the operator or others. It is extremely important that you read and understand the contents of the operator's manual. Please read the operator's manual carefully and make sure you understand the instructions before the product is used.

(Fig. 3) Disconnect battery before maintenance.

(Fig. 4) Rated voltage, V

Manufacturer

Husqvarna AB

Drottninggatan 2, SE-561 82 Huskvarna, Sweden, tel: +46-36-146500

Product damage

We are not responsible for damages to our product if:

- the product is incorrectly repaired.
- the product is repaired with parts that are not from the manufacturer or not approved by the manufacturer.
- the product has an accessory that is not from the manufacturer or not approved by the manufacturer.
- the product is not repaired at an approved service center or by an approved authority.

Support

For support about the product, go to the Support section on to access instructions, troubleshooting guides, or

to use the Husqvarna Self-Service and the Product Assistant (if available in your market). For more support about the product, speak to your Husqvarna servicing dealer.

Safety

Safety definitions

Warnings, cautions and notes are used to point out specially important parts of the manual.



WARNING: Used if there is a risk of injury or death for the operator or bystanders if the instructions in the manual are not obeyed.



CAUTION: Used if there is a risk of damage to the product, other materials or the adjacent area if the instructions in the manual are not obeyed.

Note: Used to give more information that is necessary in a given situation.

General power tool safety warnings



WARNING: Make sure to read the approved accessory manual together with this power units manual.



WARNING: Read all safety warnings, instructions, illustrations and specifications provided with this power tool. Failure to follow all instructions listed below may result in electric shock, fire and/or serious injury.

Note: Save all warnings and instructions for future reference. The term "power tool" in the warnings refers to your mains-operated (corded) power tool or battery-operated (cordless) power tool.

Work area safety

- **Keep work area clean and well lit.** Cluttered or dark areas invite accidents.
- **Do not operate machines in explosive atmospheres, such as in the presence of flammable liquids, gases or dust.** Machines create sparks which may ignite the dust or fumes.
- **Keep children and bystanders away while operating a machine.** Distractions can cause you to lose control.

Electrical safety

- **Machine plugs must match the outlet. Never modify the plug in any way. Do not use any adapter plugs with earthed (grounded) machines.** Unmodified plugs and matching outlets will reduce risk of electric shock.
- **Avoid body contact with earthed or grounded surfaces, such as pipes, radiators, ranges and refrigerators.** There is an increased risk of electric shock if your body is earthed or grounded.
- **Do not expose machines to rain or wet conditions.** Water entering a machine will increase the risk of electric shock.
- **Do not abuse the cord. Never use the cord for carrying, pulling or unplugging the machine. Keep cord away from heat, oil, sharp edges or moving parts.** Damaged or entangled cords increase the risk of electric shock.
- **When operating a machine outdoors, use an extension cord suitable for outdoor use.** Use of a cord suitable for outdoor use reduces the risk of electric shock.
- **If operating a machine in a damp location is unavoidable, use a residual current device (RCD) protected supply.** Use of a RCD reduces the risk of electric shock.

Personal safety

- **Stay alert, watch what you are doing and use common sense when operating a machine. Do not use a machine while you are tired or under the influence of drugs, alcohol or medication.** A moment of inattention while operating machines may result in serious personal injury.
- **Use personal protective equipment. Always wear eye protection.** Protective equipment such as dust mask, non-skid safety shoes, hard hat or hearing protection used for appropriate conditions will reduce personal injuries.
- **Prevent unintentional starting. Ensure the switch is in the off-position before connecting to power source and/or battery pack, picking up or carrying the machine.** Carrying machines with your finger on the switch or energising machines that have the switch on invites accidents.
- **Remove any adjusting key or wrench before turning the machine on.** A wrench or a key left attached to a rotating part of the machine may result in personal injury.
- **Do not overreach. Keep proper footing and balance at all times.** This enables better control of the machine in unexpected situations.

- **Dress properly. Do not wear loose clothing or jewellery. Keep your hair and clothing away from moving parts.** Loose clothes, jewellery or long hair can be caught in moving parts.
- **If devices are provided for the connection of dust extraction and collection facilities, ensure these are connected and properly used.** Use of dust collection can reduce dust-related hazards.
- **Do not let familiarity gained from frequent use of machines allow you to become complacent and ignore machine safety principles.** A careless action can cause severe injury within a fraction of a second.
- **Use machines only with specifically designated battery packs.** Use of any other battery packs may create a risk of injury and fire.
- **When battery pack is not in use, keep it away from other metal objects, like paper clips, coins, keys, nails, screws or other small metal objects, that can make a connection from one terminal to another.** Shorting the battery terminals together may cause burns or a fire.
- **Under abusive conditions, liquid may be ejected from the battery; avoid contact. If contact accidentally occurs, flush with water. If liquid contacts eyes, additionally seek medical help.** Liquid ejected from the battery may cause irritations or burns.

Machine use and care

- **Do not force the machine. Use the correct machine for your application.** The correct machine will do the job better and safer at the rate for which it was designed.
- **Do not use the machine if the switch does not turn it on and off.** Any machine that cannot be controlled with the switch is dangerous and must be repaired.
- **Disconnect the plug from the power source and/or remove the battery pack, if detachable, from the machine before making any adjustments, changing accessories, or storing machines.** Such preventive safety measures reduce the risk of starting the machine accidentally.
- **Store idle machines out of the reach of children and do not allow persons unfamiliar with the machines or these instructions to operate the machines.**

Machines are dangerous in the hands of untrained users.

- **Maintain machines and accessories. Check for misalignment or binding of moving parts, breakage of parts and any other condition that may affect the machines' operation. If damaged, have the machine repaired before use.** Many accidents are caused by poorly maintained machines.
- **Keep cutting tools sharp and clean.** Properly maintained cutting machines with sharp cutting edges are less likely to bind and are easier to control.
- **Use the machine, accessories and bits etc. in accordance with these instructions, taking into account the working conditions and the work to be performed.** Use of the machine for operations different from those intended could result in a hazardous situation.
- **Keep handles and grasping surfaces dry, clean and free from oil and grease.** Slippery handles and grasping surfaces do not allow for safe handling and control of the machine in unexpected situations.

Battery machine use and care

- **Recharge only with the charger specified by the manufacturer.** A charger that is suitable for one type of battery pack may create a risk of fire when used with another battery pack.

- **Do not use a battery pack or machine that is damaged or modified.** Damaged or modified batteries may exhibit unpredictable behaviour resulting in fire, explosion or risk of injury.
- **Do not expose a battery pack or machine to fire or excessive temperature.** Exposure to fire or temperature above 130 °C / 265 °F may cause explosion.
- **Follow all charging instructions and do not charge the battery pack or machine outside the temperature range specified in the instructions.** Charging improperly or at temperatures outside the specified range may damage the battery and increase the risk of fire.

Service

- **Have your machine serviced by a qualified repair person using only identical replacement parts.** This will ensure that the safety of the machine is maintained.
- **Never service damaged battery packs.** Service of battery packs should only be performed by the manufacturer or authorized service providers.

Other general safety information

- Deactivate the product before you move to another area. Always remove the battery when passing the product to another person.
- Never put the product down unless you have deactivated it and removed the battery. Do not leave the product unsupervised when it is switched on.
- The cutting tool does not stop immediately after the product is turned off.
- Before using the product and after any impact, check for signs of wear or damage and repair as necessary.
- If anything jams in the cutting attachment while you operate the product, stop and deactivate the product. Make sure that the cutting attachment stops completely. Remove the battery before you clean, inspect or repair the product and/or the cutting equipment.
- Do a check of the product before use. Refer to, *Safety devices on the product on page 10* and *Maintenance on page 14*. Do not use a damaged

- product. Do the safety checks, maintenance and service instructions described in this manual.
- Faulty cutting attachment can increase the risk of accidents.
 - Check the gear for dirt and cracks. Clean off grass and leaves from the gear using a brush. Gloves should be worn when necessary.
 - Always ensure that ventilation openings are kept clear of debris.
 - Check that the trimmer head is completely attached to the trimmer.
 - All covers, guards and handles must be fitted before starting.
 - Check that the product is in perfect working order. Check that all nuts and screws are tight.
 - Check that the trimmer head and trimmer guard are not damaged or cracked. Replace the trimmer head or trimmer guard if it has been exposed to impact or are cracked. Always use the recommended guard for the cutting attachment you are using. Refer to *Technical data on page 16*.
 - This product is a dangerous tool if you are not careful or if you use the product incorrectly. This product can cause serious injury or death to the operator or others.
 - This appliance is not intended for use by persons (including children) with reduced physical, sensory or mental capabilities, or lack of experience and knowledge, unless they have been given supervision or instruction concerning use of the appliance by a person responsible for their safety. Children should be supervised to ensure that they do not play with the appliance.
 - Never allow children to use or be in the vicinity of the machine. Since the machine is easy to start, children may be able to start it if they are not kept under full surveillance. This can mean a risk of serious personal injury. Therefore disconnect the battery when the machine is not under close supervision.
 - Never allow children or other persons not trained in the use of the product and/or the battery to use or service it.
 - Store the equipment in a lockable area so that it is out of reach of children and unauthorized persons.
 - The transport cover must always be used for storage and transport.
 - Keep hands and feet away from the cutting area at all times and especially when switching on the motor.
 - Keep your hands and feet away from the cutting attachment until it has stopped completely when the product is deactivated.
 - Do not remove the cut material, or let other persons remove cut material, while the product is activated or the cutting equipment rotates, as this can result in serious injury.
 - Keep in mind that it is you, the operator that is responsible for not exposing people or their property to accidents or hazards.
- Under no circumstances may the design of the product be modified without the permission of the manufacturer. Always use original accessories. Non-authorized modifications and/or accessories can result in serious personal injury or the death of the operator or others. Your warranty may not cover damage or liability caused by the use of non-authorized accessories or replacement parts.
 - The only accessories you can operate with this product are the cutting attachments recommended in the Accessories chapter. Refer to *Accessories on page 17*.
 - Never use a product that has been modified in any way from its original specification
 - Never use a product that is faulty. Carry out the safety checks, maintenance and service instructions described in this manual. Some maintenance and service measures must be carried out by trained and qualified specialists. See instructions under the Maintenance heading.
 - Working in bad weather is tiring and often brings added risk. Due to the added risk, it is not recommended to use the machine in very bad weather, for instance in dense fog, heavy rain, strong winds, intense cold, risk of lightning, etc
 - Never work from a ladder, stool or any other raised position that is not fully secured.
 - Store Idle Appliances Indoors – When not in use, appliances should be stored indoors
 - It is not possible to cover every conceivable situation you can face. Always exercise care and use your common sense. Avoid all situations which you consider to be beyond your capability. If you still feel uncertain about operating procedures after reading these instructions, you should consult an expert before continuing.
 - Ensure that no people or animals come closer than 50 ft (15 m) while you work. When several operators are working in the same area the safety distance should be at least 50 ft (15 m). Otherwise there is a risk of serious personal injury. Stop the product immediately if anyone approaches. Never swing the product around without first checking behind you to make sure that no one is within the safety zone.
 - Ensure that people, animals or other things can not affect your control of the product or that they do not come in contact with the cutting attachment or loose objects that are thrown out by the cutting attachment. However, do not use the product unless you are able to call for help in the event of an accident.
 - Make sure that you can move and stand safely. Check the area around you for possible obstacles (roots, rocks, branches, ditches, etcetera) in case you have to move suddenly. Take great care when you work on sloping ground.
 - Walk, never run.
 - Inspect the working area. Remove all loose objects, such as stones, broken glass, nails, steel wire, string

- etc. that could be thrown out or become wrapped around the cutter or cutter guard.
- Watch out for stumps of branches that can be thrown out when you cut. Do not cut too close to the ground where stones and other objects can be thrown out.
 - Make sure that no clothes or parts of the body come in contact with the cutting attachment when the product is activated. Keep the product below waist level.
 - Watch out for thrown objects. Always wear approved eye protection. Never lean over the cutting attachment guard. Stones, rubbish, etc., can be thrown up into the eyes which can cause blindness or serious injury.
 - Listen out for warning signals or shouts when you wear hearing protection. Always remove your hearing protection as soon as the product stops.
 - If any unwanted vibrations occur, tap out new line to give the line the correct length to stop the vibrations.
 - If the product starts vibrating abnormally, stop the product and remove the battery.
 - Overexposure to vibration can lead to circulatory damage or nerve damage in persons who have poor circulation. Speak to your physician if you experience symptoms of overexposure to vibration. Such symptoms include numbness, loss of feeling, tingling, pricking, pain, loss of strength, changes in skin color or condition. These symptoms usually show in the fingers, hands or wrists.
 - Always hold the product with both hands. Hold the product on the right side of your body.

- Use sturdy non-slip boots.
- Use clothing made of a strong fabric. Always use heavy, long pants and long sleeves. Do not use loose clothing that can catch on twigs and branches. Do not wear jewelry, short pants, sandals or go with bare feet. Put your hair up safely above shoulder level.

(Fig. 10)

- Keep first aid equipment close at hand.

(Fig. 11)

Safety devices on the product



WARNING: Read the warning instructions that follow before you use the product.

In this section the product's safety features, its purpose and how checks and maintenance should be carried out to ensure that it operates correctly. See instructions under the heading *Introduction on page 6* to find where these parts are located on your product.

The life span of the product can be reduced and the risk of accidents can increase if product maintenance is not carried out correctly and if service and/or repairs are not carried out professionally. If you need further information please contact your nearest servicing dealer.



WARNING: Never use a product with damaged safety components. The product's safety equipment must be inspected and maintained as described in this section. If your product fails any of these checks, contact your service agent to get it repaired.



CAUTION: All servicing and repair work on the machine requires special training. This is especially true of the machine's safety equipment. If your machine fails any of the checks described below you must contact your service agent. When you buy any of our products we guarantee the availability of professional repairs and service. If the retailer who sells your machine is not a servicing dealer, ask him for the address of your nearest service agent.

To do a check of the user interface

1. Push and hold the On/Off button (A). (Fig. 12)
 - a) The product is on when the display (B) comes on.
 - b) The product is off when the display goes off.
2. If the warning indicator on the display is on or flashes, refer to *Keypad on page 15*.

Personal protective equipment



WARNING: Read the warning instructions that follow before you use the product.

- Always use approved personal protective equipment when you use the product. Personal protective equipment cannot fully prevent injury but it decreases the degree of injury if an accident does occur. Let your dealer help you select the right equipment.
 - Use a protective helmet where there is a risk of falling objects.
 - Use approved hearing protection that provides adequate noise reduction. Long-term exposure to noise can result in permanent hearing impairment.
 - Use approved eye protection. If you use a visor, you must also use approved protective goggles. Approved protective goggles must comply with the ANSI Z87.1 standard in the USA or EN 166 in EU countries.
 - Use a visor for face protection. A visor is not enough for protection of the eyes.
- (Fig. 9)
- Use gloves when necessary, for example when you attach, examine or clean the cutting equipment.

To do a check of the power trigger lockout

The power trigger lockout is designed to prevent accidental operation. When you push the power trigger lockout forward (A) and then press the power trigger lockout against the handle (B), the power trigger (C) is released. When you release the handle, the power trigger and the power trigger lockout both move back to their original positions. This movement is operated by three independent springs.

(Fig. 13)

1. Make sure that the power trigger is locked when the lock is in its original position. (Fig. 14)
2. Push the power trigger lockout forward (A) and down. Hold the power trigger lockout against the handle (B) and make sure that it returns to its original position when you release it. (Fig. 15)
3. Make sure that the power trigger and the power trigger lockout moves freely and that the return springs operate properly. (Fig. 16)
4. Push and hold the On/Off button to set the product to On.
5. Push the power trigger fully to apply full speed.
6. Release the power trigger and make sure that the cutting attachment stops and remains still.

Safety instructions for assembly



WARNING: Read this power unit manual together with approved accessory manual.

- Remove the battery from the product before you assemble the product.
- Use the approved protective gloves.
- A damaged or incorrect guard can cause injury. Do not use a cutting attachment that does not have an approved guard attached.
- Make sure that you assemble the cover and shaft correctly before you start the product.
- If a harness is supplied with the attachment, the harness must be correctly attached to the product. The harness makes operation safe and prevents injury to the operator or other persons.

Battery safety



WARNING: Read the warning instructions that follow before you use the product.

- Only use Husqvarna approved batteries. Refer to *Approved batteries on page 16*. The batteries are software encrypted.
- Use Husqvarna approved batteries as a power supply for the related Husqvarna products only. To prevent injury, do not use the battery as a power supply for other devices.

- Risk of electrical shock. Do not connect the battery terminals to keys, coins, screws or other metal. This can cause a short circuit of the battery.
- Do not use non-rechargeable batteries.
- Do not put objects into the air slots of the battery.
- Keep the battery away from sunlight, heat or open flame. The battery can cause burns and/or chemical burns.
- Keep the battery away from rain and wet conditions.
- Keep the battery away from microwaves and high pressure.
- Do not try to disassemble or break the battery.
- If the battery leaks, do not let the liquid touch your body or eyes. If you have touched the liquid, clean the area with a large quantity of water and soap, and get medical aid. If you get liquid in your eyes, do not rub but flush with water for a minimum of 15 minutes and get medical aid.
- Use the battery in temperatures between -10 °C (14 °F) and 40 °C (114 °F).
- Do not clean the battery or the battery charger with water. Refer to *To clean the product, the battery and the battery charger on page 14*.
- Do not use a battery that is damaged or does not operate correctly.
- Keep batteries in storage away from metal objects such as nails, screws or jewelry.
- Keep the battery away from children.

Battery charger safety



WARNING: Read the warning instructions that follow before you use the product.

- Risk of electrical shock or short circuit if the safety instructions are not obeyed.
- Do not use other battery chargers than the one supplied for your product. Only use Husqvarna approved battery chargers to charge Husqvarna approved batteries. Refer to *Technical data on page 16* for instructions.
- Do not try to disassemble the battery charger.
- Do not use a battery charger that is damaged or does not operate correctly.
- Do not lift the battery charger by the power cord. To disconnect the battery charger from a mains socket, pull out the plug. Do not pull the power cord.
- Keep all cables and extension leads away from water, oil and sharp edges. Make sure that the cable is not caught between objects, for example, doors, fences or equivalent.
- Do not use the battery charger near flammable materials or materials that can cause corrosion. Make sure that the battery charger is not covered. Pull out the plug to the battery charger if there is smoke or fire.

- Only charge the battery indoors in a location with good airflow and away from sunlight. Do not charge the battery outdoors. Do not charge the battery in wet conditions.
- Only use the battery charger where the temperature is between 5 °C (41 °F) and 40 °C (104 °F). Use the charger in an environment which has a good airflow, dry and free from dust.
- Do not put objects into the cooling slots of the battery charger.
- Do not connect the battery charger terminals to metal objects as this can short circuit the battery charger.
- Use approved mains sockets that are not damaged. Make sure that the cord of the battery charger is not damaged. If extension cables are used, make sure that the extension cables are not damaged.
- Remove the battery before you do maintenance, other checks or assemble the product.
- The operator must only do the maintenance and servicing shown in this operator's manual. Turn to your servicing dealer for maintenance and servicing of a larger extension.
- Do not clean the battery or the battery charger with water. Strong detergent can cause damage to the plastic.
- If you do not do maintenance, it decreases the life cycle of the product and increases the risk of accidents.
- Special training is necessary for all servicing and repair work, especially for the safety devices on the product. If not all checks in this operator's manual are approved after you have done maintenance, turn to your servicing dealer. We guarantee that there are professional repairs and servicing available for your product.
- Only use original spare parts.
- Always use heavy duty gloves when you repair the cutting attachment. The blades are very sharp and can easily cause injuries.

Safety instructions for maintenance



WARNING: Read the warning instructions that follow before you do maintenance on the product.

Assembly

To assemble the loop handle

1. Attach the loop handle onto the shaft between the arrows. Do not place loop handle or suspension ring on label. (Fig. 17)
2. Move the spacer into the slot of the loop handle.
3. Attach the nut, the knob and the screw, do not make it to tight.
4. Adjust the product to a comfortable position.
5. Tighten the bolt.

To assemble the two-piece shaft

1. Turn the knob to loosen the coupling. (Fig. 18)
2. Align the tab (A) with the arrow (B) on the coupling. (Fig. 19)
3. Push the shaft into the coupling until it clicks into position. (Fig. 20)
4. Tighten the knob fully. (Fig. 21)

To disassemble the two-piece shaft

1. Turn the knob 3 turns or more to loosen the coupling. (Fig. 22)
2. Push and hold the button (C).
3. Hold tight in the end of the shaft that the motor is attached to.
4. Pull the attachment out of the coupling. (Fig. 23)

To install the suspension ring if applicable

1. Install the suspension ring between the arrows on the rear handle and the loop handle. (Fig. 24)

Note: Do not put the loop handle on the decal.

2. Adjust the ring to make the product balanced, and easy to use.

Operation

Introduction



WARNING: Read and understand the safety chapter before you use the product.

Husqvarna Connect

Husqvarna Connect is a free app for your mobile device. The Husqvarna Connect app gives extended functions for your Husqvarna product.

- Extended product information.
- Information about, and help with, product parts and servicing.

To start to use Husqvarna Connect

1. Download the Husqvarna Connect app on your mobile device.
2. Register in the Husqvarna Connect app.
3. Follow the instruction steps in the Husqvarna Connect app to connect and register the product.

Note: Husqvarna Connect app is not available for download in all markets. Speak to your servicing dealer for more information.

To connect the battery to the product



WARNING: Only use Husqvarna original batteries with the product.

1. Make sure that the battery is fully charged.
2. Push the battery into the battery holder of the product. The battery locks into position when you hear a click. (Fig. 25)



CAUTION: If the battery does not move easily into the battery holder, the battery is not installed correctly. This can cause damage to the product.

3. Make sure that the battery is installed correctly.

To charge the battery

Note: Charge the battery if it is the first time that you use it. A new battery is only 30% charged.

1. Make sure that the battery is dry.
2. Put the battery in the battery charger. (Fig. 26)

Note: The battery and battery charger can look different between different models, but the procedure is the same.

3. Make sure that the green charging light on the battery charger comes on. That means that the battery is connected correctly to the battery charger.
4. When all LEDs on the battery come on, the battery is fully charged. (Fig. 27)
5. To disconnect the battery charger from the mains socket, pull the plug. Do not pull the cable.
6. Remove the battery from the battery charger.

Note: Refer to the battery and battery charger manuals for more information.

Work position

- Hold the product with 2 hands.

- Hold the product on the right side of your body.
- Keep the cutting attachment below waist level.
- Keep body parts away from the hot surfaces.
- Keep body parts away from the cutting attachment.

Before you operate the product

- Examine the work area to make sure that you know the type of terrain, the slope of the ground and if there are obstacles such as stones, branches and ditches.
- Do an overhaul inspection of the product.
- Do the safety inspections, maintenance and servicing that are given in this manual.
- Make sure that all covers, guards, handles and accessories are correctly attached and not damaged.

To start the product

1. Push and hold the On/Off button until the green LED comes on. (Fig. 28)
2. Use the power trigger to control the speed.

To limit the maximum speed with the mode button

The product has a mode button. With the mode button the operator can limit the maximum speed. The mode button has 3 speed levels. A lower level increases the time of operation for the product. The mode button has 3 speed levels. A lower level increases the time of operation for the product. Use level 1 and level 2 if the operation does not require full speed/full power. If the operation condition requires full speed/full power, use level 3. Do not use a higher level than necessary for the operation.

1. Push the mode button to set a limit to the maximum speed. The white LEDs come on to show that the function is on. (Fig. 29)
2. Push the Mode button again to choose the next speed level.

Automatic shutdown function

The product has an automatic shutdown function that sets the product to Off if you do not operate it for 3 minutes.

To stop the product

1. Release the power trigger or the power trigger lockout.
2. Push the On/Off button. (Fig. 30)
3. Push the release buttons on the battery and pull the battery out. (Fig. 31)

Maintenance

Introduction



WARNING: Before you do any maintenance work you must read and understand the safety chapter.

The following is a list of the maintenance steps that you must do on the product. In addition to the maintenance specified in the maintenance schedule, let a Husqvarna servicing dealer do servicing on the product regularly. For information about the service intervals, speak to your Husqvarna servicing dealer.

Maintenance schedule



WARNING: Remove the battery before you do maintenance.

Maintenance	Daily	Weekly	Monthly
Clean the external parts of the product with a dry cloth. Do not use water.	X		
Examine that the power button works correctly and is not damaged.	X		
Make sure that the power trigger and the power trigger lockout function correctly from a safety point of view.	X		
Make sure that all controls work and are not damaged.	X		
Keep the handles dry, clean and free from oil and grease.	X		
Make sure that the screws and nuts are tight.	X		
Make sure that the battery release buttons on the battery works and locks the battery in the product.	X		
Make sure that the battery is not damaged.	X		
Make sure that the battery is charged.	X		
Make sure that the battery charger is not damaged and operates correctly.	X		
Examine all cables, couplings and connections. Make sure they are not damaged and free from dirt.		X	
Do a check of the connections between the battery and the product. Do a check of the connection between the battery and the battery charger.			X

To clean the product, the battery and the battery charger

1. Clean the product with a dry cloth after use.
2. Clean the battery and battery charger with a dry cloth. Keep the battery guide tracks clean.
3. Make sure that the terminals on the battery and the battery charger are clean before the battery is put in the battery charger or the product.

Two piece-shaft

Apply grease to the end of the drive shaft after each 30 hours of operation. There is a risk that the drive shaft ends (splined coupling) on models with two-piece shafts will seize if they are not lubricated regularly. (Fig. 32)

Troubleshooting

Keypad

LED display	Possible faults	Possible action
Green activate LED flashing	Low battery voltage.	Charge the battery.
Red error LED flashing	Overload.	The cutting attachment is jammed. deactivate the product. Remove the battery. Clean the cutting attachment from unwanted materials.
	Temperature deviation.	Let the product cool down.
	The power trigger and the activate button are pressed at the same time.	Release the power trigger and the product is active.
The product does not start	Dirt in the battery connectors.	Clean the battery connectors with compressed air or a soft brush.
Error LED is lit with red light	The product needs servicing.	Contact your servicing agent.

Transportation, storage and disposal

Transportation and storage

- The supplied Li-ion batteries obey the Dangerous Goods Legislation requirements.
- Obey the special requirement on package and labels for commercial transportation, including by third parties and forwarding agents.
- Speak to a person with special training in dangerous material before you send the product. Obey all applicable national regulations.
- Use tape on open contacts when you put the battery in a package. Put the battery in the package tightly to prevent movement.
- Remove the battery for storage or transportation.
- Put the battery and the battery charger in a space that is dry and free from moisture and frost.
- Do not keep the battery in an area where static electricity can occur. Do not keep the battery in a metal box.
- Put the battery in storage where the temperature is between 5°C/41°F and 25°C/77°F and away from open sunlight.
- Put the battery charger in storage where the temperature is between 5 °C/41 °F and 45°C/113°F and away from open sunlight.
- Use the battery charger only when the surrounding temperature is between 5°C/41°F and 40°C/104°F.

- Charge the battery 30% to 50% before you put it in storage for long periods.
- Put the battery charger in storage in a space that is closed and dry.
- Keep the battery away from the battery charger during storage. Do not let children and other not approved persons to touch the equipment. Keep the equipment in a space that you can lock.
- Clean the product and do a full servicing before you put the product in storage for a long time.
- Use the transportation guard on the product to prevent injuries or damage on the product during transportation and storage.
- Attach the product safely during transportation.

Disposal of the battery, battery charger and product

Symbols on the product or the package of the product means that the product is not domestic waste. Recycle it at a recycling station for electrical and electronic equipment. This helps to prevent damage to the environment and to persons.

Get in touch with your local authorities, domestic waste service or your dealer for more information about how to recycle your product.

Technical data

Technical data

	325iLK
Motor	
Motor type	BLDC (brushless) 36V
Speed of output shaft, 1/min	8400
Weight	
Weight (power unit only), kg	2.9
Noise emissions ^{1, 2}	
Sound power level, measured dB (A)	89-103
Sound power level, guaranteed L _{WA} dB (A)	90-106
Noise levels ^{3, 4}	
Equivalent sound pressure level at the operator's ear, measured according to EN 62841-1, dB (A):	78-93
Vibration levels ^{5, 6}	
Vibration levels at handles, measured according to EN 62841-1, m/s ²	1.3-5.5/1.1-3.1

Approved batteries

Battery	BLi200	40-B220X
Type	Lithium-ion	Lithium-ion
Battery capacity, Ah	5.2	6.0
Nominal voltage, V	36	36
Weight, kg (lb)	1.3 (2.9)	1.4 (3.1)

¹ Noise emissions in the environment measured as sound power (LWA) in conformity with EC directive 2000/14/EC. Reported sound power level for the machine has been measured with the original cutting attachment that gives the highest level. The difference between guaranteed and measured sound power is that the guaranteed sound power also includes dispersion in the measurement result and the variations between different machines of the same model according to Directive 2000/14/EC.

² The noise range states the lowest to the highest measured value.

³ Reported data for sound pressure level for the machine has a typical statistical dispersion (standard deviation) of 3 dB (A) and has been measured with the original attachment that gives the highest level.

⁴ The noise range states the lowest to the highest measured value.

⁵ Reported data for vibration level has a typical statistical dispersion (standard deviation) of 2 m/s². For comparison of vibrations levels, battery and combustion products use vibration calculator. <https://www.husqvarna.com/uk/services-solutions/vibration-calculator/>.

⁶ The noise range states the lowest to the highest measured value.

Approved battery chargers

Battery charger	QC330	40-C500X
Input voltage, V	100-240	100-240
Frequency, Hz	50-60	50-60
Power, W	330	500

Accessories

Attachments

Approved attachments	Attachment number ⁷	Attachment group ⁸	Use with
Brush cutter attachment BCA850	1	1-10	325iLK
Blower attachment BA101	11	11-20	325iLK
Edger attachment ECA850	21	21-30	325iLK
Edger attachment ESA850	22	21-30	325iLK
Hedge trimmer attachment HA860	32	31-40	325iLK
Polesaw attachment PAX730	41	41-50	325iLK
Polesaw attachment PAX1100	42	41-50	325iLK
Saw attachment PA1100	43	41-50	325iLK
Clean sweep attachment SR600-2	51	51-60	325iLK
Bristle brush attachment BR600	52	51-60	325iLK
Dethatcher attachment DT600	53	51-60	325iLK
Cultivator attachment CA230	54	51-60	325iLK
Reciprocator attachment RA850	2	1-10	525iLK

⁷ This is a specific number of an approved attachment within in an attachment group.

⁸ The approved attachments are divided into attachment groups. Each attachment group has similar features and decals.

Declaration of Conformity

EU Declaration of Conformity

We, **Husqvarna AB**, SE-561 82 Huskvarna, Sweden, tel: +46-36-146500, declare on our sole responsibility that the product:

Description	Battery-operated power unit (Grass Trimmer)
Brand	Husqvarna
Type / Model	325iLK (bare unit)
Identification	Serial numbers dating from 2024 and onwards

complies fully with the following EU directives and regulations:

Directive/Regulation	Description
2006/42/EC	"relating to machinery"
2014/30/EMC	"relating to electromagnetic compatibility"
2011/65/EU	"relating to restriction of hazardous substances "
2000/14/EC	"relating to outdoor noise"

and that the following standards and/or technical specifications are applied: EN ISO 12100:2010, EN 62841-1:2015+AC:2015+A11:2022, EN 62841-4-2:2019+A11:2022+A1:2022, IEC 62841-4-4:2020+A1:2024, IEC 62841-4-6:2022, ISO 11449:1994, EN ISO 11680-1:2021, EN 61000-6-3:2007+A1:2011, EN 61000-6-1:2016, EN IEC 63000:2018.



SMP Svensk Maskinprovning AB, Box 4053, SE-904 03 Umeå, Sweden has performed a voluntary type examination according to annex IX of 2006/42/EC. Certificate No: SEC/24/2593.

Notified body: SMP Svensk Maskinprovning AB, has also verified agreement with annex V of the council's directive 2000/14/EC. Certificate No: 01/1610/013.

For information relating to noise emissions, refer to *Technical data on page 16*.

Huskvarna, 2024-02-01

Two handwritten signatures in black ink. The first signature is 'Stefan Holmberg' and the second is a more stylized signature, likely belonging to the R&D Director mentioned in the text below.

Mr. Stefan Holmberg, R&D Director, Technology Management, Husqvarna AB, Sweden

Responsible for technical documentation

Innehåll

Introduktion.....	19	Felsökning.....	28
Säkerhet.....	20	Transport, förvaring och kassering.....	28
Montering.....	25	Tekniska data.....	29
Drift.....	25	Tillbehör.....	30
Underhåll.....	27	Försäkran om överensstämmelse.....	31

Introduktion

Avsedd användning

Det här aggregatet kan endast användas tillsammans med godkända tillbehör. En lista med godkända tillbehör

finns i *Tillbehör på sida 30*. Du måste läsa både den här handboken och handboken för det godkända tillbehöret.

Produktöversikt

(Fig. 1)

1. Bruksanvisning
2. 4 mm insexnyckel
3. Loophandtag
4. Vred
5. På/Av-knapp
6. Hastighetlägesknapp
7. Gasreglagespärr
8. Användargränssnitt
9. Gasreglage
10. Batteriladdare (tillbehör)
11. Laddnings- och felindikator på laddaren
12. Frigöringsknappar för batteri
13. Batteri (tillbehör)
14. LED-kontrollampa för laddningsstatus
15. Varningslampa
16. Batteriindikatorknapp
17. Tillbehörskoppling

(Fig. 5) Likström.

(Fig. 6) Produkten överensstämmer med gällande EG-direktiv.

(Fig. 7) Symbolen på produkten eller dess förpackning indikerar att denna produkt ej kan hanteras som hushållsavfall. Denna produkt ska överlämnas till lämplig återvinningsstation.

(Fig. 8) Produkten har skydd mot vattenstänk.

ååååvxxxx

Typskylten visar serienumret. **yyyy** är produktionsåret, **ww** är produktionsveckan och **xxxx** är sekvensnumret.

Notera: Batteriet och batteriladdaren kan se olika ut för olika modeller.

Notera: Övriga symboler/dekaler på produkten avser specifika krav för certifieringar på andra kommersiella marknader.

Symboler på produkten

(Fig. 2) **WARNING!** Produkten kan vara farlig! Slarvigt eller felaktigt användande kan resultera i allvarliga skador eller dödsfall för användaren eller andra. Det är mycket viktigt att du läser och förstår innehållet i bruksanvisningen. Läs igenom bruksanvisningen noggrant och se till att du förstår instruktionerna innan du använder produkten.

(Fig. 3) Koppla bort batteriet före underhåll.

(Fig. 4) Märkspänning, V

Tillverkare

Husqvarna AB

Drottninggatan 2, SE-561 82 Huskvarna, Sweden, tel: +46-36-146500

Produktskada

Vi ansvarar inte för skador på vår produkt om:

- produkten repareras felaktigt
- produkten repareras med delar som inte kommer från tillverkaren eller inte har godkänts av tillverkaren
- produkten har ett tillbehör som inte kommer från tillverkaren eller inte har godkänts av tillverkaren
- produkten inte repareras vid ett godkänt servicecenter eller av en godkänd person.

Support

Om du vill ha support för produkten går du till avsnittet Support på för att få tillgång till instruktioner,

felsökningsguider eller för att använda Husqvarna Self-Service och produktassistenten (om sådan finns på din marknad). Prata med en Husqvarna-serviceverkstad om du vill ha mer support för produkten.

Säkerhet

Säkerhetsdefinitioner

Varningar, försiktighetsåtgärder och anmärkningar används för att betona speciellt viktiga delar i bruksanvisningen.



WARNING: Används om det finns risk för skador eller dödsfall för användaren eller kringstående om anvisningarna i bruksanvisningen inte följs.



OBSERVERA: Används om det finns risk för skada på produkten, annat material eller det angränsande området om anvisningarna i bruksanvisningen inte följs.

Notera: Används för att ge mer information som är nödvändig i en viss situation.

Allmänna säkerhetsvarningar för elverktyg



WARNING: Du måste läsa både handboken för det godkända tillbehöret och handboken för det här kraftaggregatet.



WARNING: Gå igenom alla säkerhetsvarningar, instruktioner, illustrationer och specifikationer som medföljer det här elverktyget. Om du inte följer instruktionerna nedan kan det leda till elektriska stötar, brand och/eller allvariga skador.

Notera: Spara alla varningar och instruktioner som referens. I varningarna syftar termen "elverktyg" på ett verktyg som antingen är anslutet till nätspänningen (med sladd) eller drivs av batteri (sladdlöst).

Säkerhet i arbetsområdet

- **Arbetsområdet ska hållas välordnat och väl belyst.** I röriga eller mörka arbetsområden händer det lätt olyckor.
- **Använd inte maskiner i explosiva miljöer, t.ex. där det förekommer brandfarliga vätskor, gaser eller damm.** Maskiner skapar gnistor som kan antända damm och ångor.

- **Håll barn och personer i närheten på avstånd när du använder en maskin.** Om du blir distraherad kan du tappa kontrollen.

Elsäkerhet

- **Maskinens kontakter måste passa i uttaget. Förändra aldrig kontakten på något sätt. Använd inga adapterkontakter med jordade maskiner.** Oförändrade stickproppar och motsvarande vägguttag minskar riskerna för elektriska stötar.
- **Undvik kroppskontakt med jordade ytor, t.ex. rörledningar, värmeelement, spisar och kylskåp.** Risken för elektriska stötar ökar om kroppen är jordad.
- **Utsätt inte maskiner för regn eller våta förhållanden.** Om vatten tränger in i en maskin ökar risken för elektriska stötar.
- **Använd inte sladden på fel sätt. Använd inte sladden för att bära eller dra maskinen eller för att koppla ur produkten från eluttaget. Håll sladden borta från värme, olja, vassa kanter och rörliga delar.** Skadade eller trassliga sladdar ökar risken för elektrisk stöt.
- **När du använder en maskin utomhus ska du även använda en förlängningsladd för utomhusbruk.** Om du använder en sladd för utomhusbruk minskar risken för elektriska stötar.
- **Om det är oundvikligt att köra en maskin i en fuktig miljö ska du använda en jordfelsbrytare (RCD).** Med jordfelsbrytare minskar risken för elektriska stötar.

Personligt skydd

- **Var på din vakt, var uppmärksam på vad du gör och använd sunt förnuft när du använder en maskin. Använd inte en maskin om du är trött eller påverkad av droger, alkohol eller mediciner.** Ett ögonblick av ouppmärksamhet när du använder maskiner kan leda till allvarlig personskada.
- **Använd personlig skyddsutrustning. Använd alltid ögonskydd.** Lämplig skyddsutrustning som ansiktsmask, halkfria skyddsskor, hjälm och hörselskydd minskar risken för personskador.
- **Förhindra oavsiktlig start. Se till att strömbrytaren är frånslagen innan du ansluter maskinen till en strömkälla och/eller ett batteripack samt innan du tar upp eller bär maskinen.** Risken för olyckor är stor om du bär maskiner med fingret på strömbrytaren eller tillför ström till maskiner med strömbrytaren påslagen.
- **Ta bort eventuella justeringsnycklar eller skiftnycklar innan du slår på maskinen.** Skiftnycklar som lämnas kvar i maskinens rörliga delar kan orsaka personskada.

- **Sträck dig inte för långt. Ha alltid stadigt fotfäste och god balans.** Det ger dig större kontroll över maskinen i oväntade situationer.
- **Använd ordentliga arbetskläder. Använd inte löst sittande kläder eller smycken. Håll hår och kläder borta från rörliga delar.** Lösa kläder, smycken och långt hår kan fastna i rörliga delar.
- **Om det finns anordningar för anslutning av enheter för uppsamling av damm ska du se till att dessa är ordentligt anslutna och att de används på rätt sätt.** Dammuppsamling kan minska dammrelaterad fara.
- **Tillåt inte dig själv att bli för avslappnad, även om du har erfarenhet av regelbunden användning av maskiner, så att du börjar strunta i maskinsäkerheten.** En slarvig handling kan orsaka allvarlig skada på mindre än en sekund.

Användning och skötsel av maskinen

- **Använd inte onödigt kraft. Använd den maskin som är rätt för aktuellt syfte.** Med rätt maskin utför du ett bättre och säkrare jobb med den hastighet som maskinen är utformad för.
- **Använd inte maskinen om du inte kan starta och stänga av den med strömbrytaren.** Maskiner som inte kan regleras med strömbrytaren är farliga och måste repareras.
- **Koppla bort kontakten från strömkällan och/eller ta bort batteriet (om det kan tas bort) innan du gör några justeringar, byter tillbehör eller förvarar maskiner.** Sådana förebyggande säkerhetsåtgärder minskar risken för att maskinen startas oavsiktligt.
- **Förvara maskiner utom räckhåll för barn när de inte används. Se till att personer som inte tidigare har hanterat maskinerna eller som inte har läst instruktionerna inte använder dem.** Maskiner är farliga om de används av ovana användare.
- **Underhåll maskiner och tillbehör. Kontrollera att rörliga delar ligger i linje och inte kärvar. Kontrollera även om det finns skadade delar eller om det föreligger andra förhållanden som kan påverka maskinens funktion. Om maskinen är skadad ska den repareras innan den används igen.** Många olyckor sker på grund av att rätt underhåll inte har utförts på maskinerna.
- **Håll skärverktyg vassa och rena.** Kapmaskiner med vassa eggas som underhålls på rätt sätt kärvar mer sällan och är lättare att styra.
- **Använd maskinen, tillbehören och delarna enligt de här instruktionerna. Tänk på att ta hänsyn till arbetsförhållandena och det arbete som ska utföras.** Användning av maskinen för andra syften än de avsedda kan resultera i en farlig situation.
- **Håll handtagen och greppytorna torra, rena och fria från olja och fett.** Hala handtag och greppytor innebär att det inte är säkert att hantera och styra maskinen i oväntade situationer.

Använda och underhålla batteridrivna maskiner

- **Ladda endast upp med den laddare som anges av tillverkaren.** En laddare som är lämplig för en typ av batteripack kan utgöra en brandrisk när den används med ett annat batteripack.
- **Använd endast maskiner med särskilt avsedda batteripack.** Användning av andra batterier kan innebära risk för skada och brand.
- **När batteriet inte används ska du hålla det borta från andra metallföremål, som gem, mynt, nycklar, spikar, skruvar och andra små metallföremål, som kan skapa en anslutning mellan kontakterna.** Kortslutning av batteriets kontakter kan orsaka brännskador eller brand.
- **Vid felaktig användning kan vätska spruta ut från batteriet. Undvik kontakt. Om kontakt inträffar av misstag ska du skölja med vatten. Om du får vätska i ögonen ska du kontakta vården.** Vätska som sprutar ut från batteriet kan orsaka irritation eller sveda.
- **Använd inte ett batteripack eller en maskin som har skador eller har modifierats.** Skadade eller modifierade batterier kan uppvisa oförutsägbart beteende vilket kan leda till brand, explosion eller risk för skada.
- **Utsätt inte ett batteripack eller en maskin för eld eller för höga temperaturer.** Om de utsätts för brand eller temperatur över 130 °C kan de explodera.
- **Följ alla anvisningar för laddning och ladda aldrig batteripack eller maskinen utanför det temperaturintervall som anges i anvisningarna.** Felaktig laddning eller temperaturer utanför det specificerade intervallet kan skada batteriet och öka risken för brand.

Service

- **Låt en kvalificerad reparatör, som endast använder identiska reservdelar, serva din maskin.** På så sätt garanterar du att säkerheten för din maskin upprätthålls.
- **Utför aldrig underhåll på skadade batteripack.** Underhåll på batteripack bör endast utföras av tillverkaren eller auktoriserade tjänsteleverantörer.

Annan allmän säkerhetsinformation

- Vid förflyttning till annat område ska produkten inaktiveras. Ta alltid bort batteriet när produkten lämnas över till en annan person.
- Ställ aldrig ner produkten om du inte har inaktiverat den och tagit ur batteriet. Lämna inte produkten utan uppsikt när den är påslagen.
- Skärverktyget stannar inte omedelbart efter att produkten stängs av.
- När produkten har utsatts för stötar reparerar du eventuellt slitage och skador innan du använder den.
- Om någonting fastnar i skärutrustningen när du använder produkten ska du stoppa och avaktivera produkten. Se till att skärutrustningen stannar helt.

Ta bort batteriet innan du rengör, kontrollerar eller reparerar produkten och skärutrustningen.

- Kontrollera produkten före användning. Se *Säkerhetsanordningar på produkten på sida 23* och *Underhåll på sida 27*. Använd inte en skadad produkt. Utför de säkerhets-, underhålls- och serviceinstruktioner som beskrivs i denna bruksanvisning.
- En felaktig skärutrustning kan öka risken för olyckor.
- Kontrollera växeln med avseende på smuts och sprickor. Ta bort gräs och löv från växeln med hjälp av en borste. Handskar ska användas när det behövs.
- Se alltid till att ventilationsöppningarna är fria från skräp.
- Kontrollera att trimmerhuvudet sitter fast ordentligt på trimmern.
- Samtliga kåpor, skydd och handtag måste vara monterade före start.
- Kontrollera produkten så att den är i fullgott skick. Kontrollera att alla muttrar och skruvar är åtdragna.
- Kontrollera att trimmerhuvudet och trimmerskyddet inte har skador eller sprickor. Byt trimmerhuvud eller trimmerskydd om det har utsatts för slag eller har sprickor. Använd alltid rekommenderat skydd för den specifika skärutrustningen. Se *Tekniska data på sida 29*.
- Denna produkt är ett farligt verktyg om du inte är försiktig eller om du använder produkten felaktigt. Den här produkten kan orsaka allvarlig eller livshotande skada för användaren och andra.
- Apparaten är inte avsedd för användning av personer (inklusive barn) med olika funktionshinder eller bristande erfarenhet och kunskap. De får endast använda apparaten under uppsikt eller om de får instruktioner om användning av apparaten av en person som ansvarar för deras säkerhet. Barn ska övervakas för att garantera att de inte leker med apparaten.
- Tillåt aldrig barn att använda eller vara i närheten av maskinen. Eftersom maskinen är lätt att starta kan barn starta den om de inte hålls under uppsikt. Detta kan innebära risk för allvarlig personskada. Avlägsna därför alltid batteriet när maskinen inte är under uppsikt.
- Låt aldrig barn eller andra personer som inte utbildats i handhavande av produkten och/eller batteriet använda eller underhålla den.
- Förvara utrustningen i ett låsbart utrymme så att den är oåtkomlig för barn och obehöriga.
- Transportskyddet ska alltid användas vid förvaring och transport.
- Håll händer och fötter borta från skärområdet, särskilt när du startar motorn.
- Håll händer och fötter borta från skärutrustningen tills den har stannat helt när produkten är avaktiverad.
- Ta inte bort klippt material, och låt inte andra personer ta bort klippt material, medan produkten

är aktiverad eller skärutrustningen roterar, eftersom detta kan orsaka allvarliga personskador.

- Kom ihåg att det är du som användare som ansvarar för att inte utsätta människor eller deras egendom för olyckor eller faror.
- Enhetens ursprungliga utformning får inte under några omständigheter ändras utan tillstånd från tillverkaren. Använd alltid originaltillbehör. Icke auktoriserade ändringar och/eller tillbehör kan medföra allvarliga skador eller dödsfall för föraren eller andra. Garantin kanske inte omfattar skador som orsakas av användning av icke godkända tillbehör eller reservdelar.
- De enda tillbehör du får använda produkten som drivkälla till är den skärutrustning som rekommenderas i kapitlet Tillbehör. Se *Tillbehör på sida 30*.
- Använd aldrig en produkt som har modifierats så att den inte längre överensstämmer med originalutförandet
- Använd aldrig en produkt som är defekt. Följ säkerhets-, underhålls- och serviceinstruktioner i denna bruksanvisning. Vissa underhålls- och serviceåtgärder ska utföras av utbildade och kvalificerade specialister. Se anvisningar under rubriken Underhåll.
- Arbeta i dåligt väder är tröttsamt och kan öka riskerna. Vi rekommenderar inte att produkten används i mycket dåligt väder, till exempel vid tät dimma, kraftigt regn, kraftig vind, extrem kyla eller risk för åskväder, eftersom det innebär ökade risker.
- Arbeta aldrig från en stege eller pall eller annan upphöjd position som inte är väl förankrad.
- Förvara apparater som inte är igång under tak – När apparater inte används ska de förvaras inomhus
- Det är omöjligt att täcka alla tänkbara situationer du kan ställas inför. Var alltid försiktig och använd sunt förnuft. Undvik situationer som du anser dig otillräckligt kvalificerad för. Om du efter att ha läst dessa instruktioner fortfarande känner dig osäker angående tillvägagångssätt ska du rådfråga en expert innan du fortsätter.
- Se till att inga människor eller djur kommer närmare än 15 m från dig när du arbetar. När flera användare arbetar på samma område ska säkerhetsavståndet vara minst 15 m. Annars finns det risk för allvarlig personskada. Stäng omedelbart av produkten om någon närmar sig arbetsplatsen. Sväng aldrig runt med produkten utan att först kontrollera bakåt att ingen befinner sig inom säkerhetszonen.
- Se till att människor, djur eller annat inte påverkar din kontroll över produkten och att de inte kommer i kontakt med skärutrustningen eller lösa föremål som slungas iväg av skärutrustningen. Använd aldrig produkten utan möjlighet att kunna påkalla hjälp i händelse av olycka.
- Se till att du kan gå och stå säkert. Titta efter eventuella hinder vid en oväntad förflyttning (rötter, stenar, grenar, göpor, diken osv.). Lakta stor försiktighet vid arbete i sluttande terräng.

- Gå – spring aldrig.
- Inspektera arbetsområdet. Avlägsna alla lösa föremål, exempelvis stenar, krossat glas, spikar, ståltråd och snören, som kan slungas iväg eller snö in i sig i skärutrustningen eller dess skydd.
- Se upp för grenbitar som kan slungas iväg när du klipper. Klipp inte för nära marken där stenar eller andra lösa föremål kan slungas iväg.
- Se till att inga kläder eller kroppsdelar kommer i kontakt med skärutrustningen när produkten används. Håll produkten under midjenivå.
- Varning för utslungade föremål. Godkända ögonskydd ska alltid användas. Luta dig aldrig över skärutrustningens skydd. Stenar, skräp m.m. kan kastas upp i ögonen och orsaka blindhet eller allvarliga skador.
- Var alltid uppmärksam på varningssignaler eller tillrop när hörselskydd används. Ta alltid av hörselskydden så snart du stängt av produkten.
- Om oönskade vibrationer uppstår matar du ut en ny tråd med rätt längd för att häva vibrationerna.
- Om produkten börjar vibrera onormalt mycket ska du stoppa produkten och ta bort batteriet.
- Överexponering av vibrationer kan leda till blodkärls- eller nervskador hos personer som har dålig blodcirkulation. Prata med läkare om du upplever kroppsliga symptom som kan relateras till överexponering av vibrationer. Exempel på sådana symptom är domningar, känselbortfall, en kittlande känsla, stickningar, smärta, avsaknad eller reducering av normal styrka samt förändringar i hudens färg eller tillstånd. Dessa symptom uppträder vanligtvis i fingrar, händer eller handleder.
- Håll alltid produkten med båda händerna. Håll produkten på höger sida av kroppen.

Personlig skyddsutrustning



VARNING: Läs varningsinstruktionerna nedan innan du använder produkten.

- Använd alltid godkänd personlig skyddsutrustning när du använder produkten. Personlig skyddsutrustning kan inte eliminera skaderisken helt, men den reducerar effekten av en skada vid ett eventuellt olyckstillbud. Be din återförsäljare om hjälp med att välja rätt utrustning.
- Använd skyddshjälm där det finns risk för fallande föremål.
- Använd godkända hörselskydd med tillräcklig dämpeffekt. Långvarig exponering för buller kan ge bestående hörselskador.
- Använd godkänt ögonskydd. Används visir måste även godkända skyddsglasögon användas. Godkända skyddsglasögon måste uppfylla standarden ANSI Z87.1 i USA och SS-EN 166 i EU-länder.

- Använd visir för ansiktsskydd. Ett visir ger inte ett fullgott skydd för ögonen.
- (Fig. 9)
- Använd handskar vid behov, till exempel när du ansluter, undersöker eller rengör skärutrustningen.
 - Använd halkfria och stadiga stövlar.
 - Ha på dig kläder i slitstarkt material. Bär alltid kraftiga långbyxor och överdel med långa ärmar. Använd inte löst sittande kläder som kan fastna i kvistar och grenar. Bär inte smycken, kortbyxor eller sandaler och gå inte barfota. Sätt upp håret ordentligt så att det inte hänger nedanför axlarna.

(Fig. 10)

- Ha första förband nära till hands.

(Fig. 11)

Säkerhetsanordningar på produkten



VARNING: Läs varningsinstruktionerna nedan innan du använder produkten.

I detta avsnitt beskrivs produktens säkerhetsfunktioner, dess syfte samt hur kontroller och underhåll ska utföras för att säkerställa att den fungerar korrekt. Se anvisningar under rubrik *Introduktion på sida 19* för att ta reda på var dessa delar finns på din produkt.

Produktens livslängd kan förkortas och risken för olyckor kan öka om underhåll av produkten inte utförs på rätt sätt och om service och/eller reparationer inte utförs av specialutbildade tekniker. Kontakta din serviceverkstad om du behöver ytterligare information.



VARNING: Använd aldrig en produkt med skadade säkerhetskomponenter. Produktens säkerhetsutrustning ska kontrolleras och underhållas som beskrivs i detta avsnitt. Om din produkt inte klarar alla kontroller ska serviceverkstad uppsökas för reparation.



OBSERVERA: All service och reparation av maskinen kräver specialutbildning. Detta gäller särskilt maskinens säkerhetsutrustning. Om maskinen inte klarar någon av nedan listade kontroller ska du uppsöka en serviceverkstad. Ett köp av någon av våra produkter garanterar att du kan få en fackmannamässig reparation och service utförd. Om inköpsstället för maskinen inte är en av våra serviceverkstäder ska du fråga dem efter närmaste serviceverkstad.

Kontrollera användargrännittet

1. Håll ON/OFF-knappen (A) intryckt. (Fig. 12)
 - a) Produkten är på när displayen (B) är tänd.

- b) Produkten är avstängd när displayen är släckt.
2. Om varningslampan på displayen lyser eller blinkar läser du i *Knappsats på sida 28*.

Kontrollera gasreglagespärren

Gasreglagespärren är utformad för att förhindra oavsiktlig aktivering. När du trycker gasreglagespärren framåt (A) och sedan trycker den mot handtaget (B) frikopplas gasreglaget (C). När greppet om handtaget släpps återgår både gasreglaget och gasreglagespärren till sina respektive ursprungslägen. Denna rörelse drivs av tre oberoende fjädrar. (Fig. 13)

1. Kontrollera att gasreglaget är låst när spärren är i sitt ursprungsläge. (Fig. 14)
2. Tryck gasreglagespärren framåt (A) och nedåt. Håll gasreglagespärren mot handtaget (B) och kontrollera att den går tillbaka till sitt ursprungliga läge när du släpper den. (Fig. 15)
3. Kontrollera att gasreglaget och gasreglagespärren rör sig fritt och att deras retur fjädersystem fungerar. (Fig. 16)
4. Tryck på ON/OFF-knappen för att starta produkten.
5. Tryck in gasreglaget helt för fullt varvtal.
6. Släpp gasreglaget och se till att sågkedjan stannar och att den förblir stilla.

Säkerhetsinstruktioner för montering



WARNING: Du måste läsa både handboken för det här kraftaggregatet och handboken för det godkända tillbehöret.

- Ta bort batteriet från produkten innan du monterar produkten.
- Använd de godkända skyddshandskarna.
- Ett skadat eller felaktigt skydd kan orsaka skador. Använd inte någon skärutrustning som inte har ett godkänt skydd monterat.
- Se till att du har monterat kåpan och riggröret korrekt innan du startar produkten.
- Om en sele medföljer tillbehöret måste den fästas korrekt på produkten. Selen ger säkrare användning och förhindrar att användaren eller andra personer skadas.

Batterisäkerhet



WARNING: Läs varningsinstruktionerna nedan innan du använder produkten.

- Använd endast godkända batterier från Husqvarna. Se *Godkända batterier på sida 29*. Batterierna har kryperad programvara.
- Använd endast godkända batterier från Husqvarna som strömförsörjning för relaterade Husqvarna-

produkter. På grund av risken för skador ska du inte använda batteriet som strömkälla för andra enheter.

- Risk för elektrisk stöt. Anslut inte batteripolerna till nycklar, mynt, skruvar eller andra metallföremål. Det kan orsaka kortslutning i batteriet.
- Använd inte batterier som inte är laddningsbara.
- Placera inte föremål i luftspringorna på batteriet.
- Håll batteriet borta från direkt solljus, värme och öppen eld. Batteriet kan orsaka brännskador och/eller kemiska brännskador.
- Håll batteriet borta från regn och fuktiga förhållanden.
- Håll batteriet borta från mikrovågor och högt tryck.
- Försök inte ta isär eller krossa batteriet.
- Om batteriet läcker ska du inte låta vätskan komma i kontakt med huden eller ögonen. Om du har rört vid vätskan ska du rengöra området med stora mängder vatten och tvål och kontakta läkare. Om du får vätska i ögonen ska du inte gnugga, utan spola med vatten i minst 15 minuter och kontakta läkare.
- Använd batteriet vid temperaturer mellan $-10\text{ }^{\circ}\text{C}$ ($14\text{ }^{\circ}\text{F}$) och $40\text{ }^{\circ}\text{C}$ ($114\text{ }^{\circ}\text{F}$).
- Rengör inte batteriet eller batteriladdaren med vatten. Se *Rengöra produkten, batteriet och batteriladdaren på sida 27*.
- Använd inte ett batteri som har skador eller inte fungerar korrekt.
- Håll batterier som förvaras borta från metallföremål, exempelvis spikar, skruvar och smycken.
- Håll batteriet utom räckhåll för barn.

Säkerhet, batteriladdare



WARNING: Läs varningsinstruktionerna nedan innan du använder produkten.

- Risk för elektriska stötar eller kortslutning om säkerhetsinstruktionerna inte följs.
- Använd inte andra batteriladdare än den som medföljde produkten. Använd endast godkända Husqvarna-batteriladdare för att ladda godkända batterier från Husqvarna. Instruktioner finns i *Tekniska data på sida 29*.
- Försök inte plocka isär batteriladdaren.
- Använd inte en batteriladdare som har skador eller inte fungerar korrekt.
- Lyft inte batteriladdaren i strömkabeln. Koppla bort batteriladdaren från eluttaget genom att dra i kontakten. Dra inte i strömkabeln.
- Ha inga sladdar och skarvsladdar nära vatten, olja och skarpa kanter. Var uppmärksam så att inte sladden kläms i dörrar, stängsel eller liknande.
- Använd inte batteriladdaren nära brandfarliga material eller material som kan orsaka korrosion. Se till att batteriladdaren inte är övertäckt. Dra ut stickkontakten till batteriladdaren vid rökutveckling eller brand.

- Ladda endast batteriet inomhus där den inte utsätts för solljus och på en plats med bra luftflöde. Ladda inte batteriet utomhus. Ladda inte batteriet vid fuktiga förhållanden.
- Använd endast batteriladdaren i temperaturer mellan 5 °C (41 °F) och 40 °C (104 °F). Använd laddaren i en miljö med bra luftflöde, som är torr och fri från damm.
- Placera inte föremål i kylningsöppningar på batteriladdaren.
- Anslut inte batteriladdarens kontakter till metallföremål eftersom batteriladdaren kan kortslutas.
- Använd godkända eluttag som inte är skadade. Se till att batteriladdarens sladd inte är skadad. Om förlängningssladd används, se till att den inte är skadad.
- Ta ur batteriet innan du utför underhåll, övriga kontroller eller monterar produkten.
- Användaren får endast utföra underhålls- och servicearbeten som beskrivs i denna bruksanvisning. Vänd dig till en serviceverkstad för underhåll och service av större omfattning.
- Rengör inte batteriet eller batteriladdaren med vatten. Starka rengöringsmedel kan orsaka skador på plasten.
- Om du inte utför underhåll minskar produktens livscykel och risken för olyckor ökar.
- Särskild utbildning krävs för allt service- och reparationsarbete, särskilt för produktens säkerhetsanordningar. Om inte alla kontroller i den här bruksanvisningen är godkända efter att du gjort underhåll ska du kontakta din serviceverkstad. Vi garanterar att det finns professionella reparationer och service tillgängliga för din produkt.
- Använd endast originaltillbehör.
- Använd alltid kraftiga arbetshandskar när du reparerar skärutrustningen. Knivarna är vassa och kan lätt ge skärskador.

Säkerhetsinstruktioner för underhåll



VARNING: Läs varningsinstruktionerna nedan innan du utför underhåll på produkten.

Montering

Så monterar du loophandtaget

1. Sätt fast loophandtaget på riggröret mellan pilarna. Placera inte loophandtaget eller upphängningsringen på etiketten. (Fig. 17)
2. Skjut in distansen i loophandtagets spår.
3. Sätt fast muttern, vredet och skruven, men dra inte åt för hårt.
4. Ställ in produkten i ett bekvämt läge.
5. Dra åt bulten.

Så monterar du det tvådelade riggröret

1. Vrid vredet för att lossa kopplingen. (Fig. 18)
2. Passa in fliken (A) med pilen (B) på kopplingen. (Fig. 19)
3. Tryck in riggröret i kopplingen tills det klickar på plats. (Fig. 20)
4. Dra åt vredet helt. (Fig. 21)

Så demonterar du det tvådelade riggröret

1. Vrid vredet minst 3 varv för att lossa kopplingen. (Fig. 22)
2. Tryck på och håll inne knappen (C).
3. Håll hårt i änden av det riggrör som motorn är ansluten till.
4. Dra ut tillbehöret ur kopplingen. (Fig. 23)

Montera upphängningsringen (om tillämpligt)

1. Montera upphängningsringen mellan pilarna på det bakre handtaget och loophandtaget. (Fig. 24)

Notera: Placera inte loophandtaget på dekalen.

2. Justera ringen så att produkten är balanserad och enkel att använda.

Drift

Introduktion



VARNING: Läs och förstå säkerhetskapitlet innan du använder produkten.

Husqvarna Connect

Husqvarna Connect är en kostnadsfri app för mobila enheter. Husqvarna Connect-appen utökar funktionerna för Husqvarna-produkten

- Mer produktinformation.
- Information om, och hjälp med, produktdelar och service.

Börja använda Husqvarna Connect

1. Ladda ner Husqvarna Connect-appen på din mobila enhet.
2. Utför registreringen i Husqvarna Connect-appen.
3. Följ instruktionerna i Husqvarna Connect-appen för att ansluta och registrera produkten.

Notera: Husqvarna Connect-appen är inte tillgänglig för hämtning på alla marknader. Prata med en serviceverkstad för mer information.

Ansluta batteriet till produkten



VARNING: Använd endast Husqvarna-originalbatterier i produkten.

1. Se till att batteriet är fulladdat.
2. Skjut in batteriet i produktens batterihållare. Batteriet läses på plats när du hör ett klickljud. (Fig. 25)



OBSERVERA: Om batteriet inte går enkelt in i batterihållaren är det inte korrekt installerat. Det kan orsaka skador på produkten.

3. Kontrollera att batteriet är korrekt installerat.

Att ladda batteriet

Notera: Ladda batteriet om det är första gången du använder det. Ett nytt batteri är endast 30 % laddat.

1. Se till att batteriet är torrt.
2. Sätt in batteriet i batteriladdaren. (Fig. 26)

Notera: Batteriet och batteriladdaren kan se olika ut mellan olika modeller, men proceduren är densamma.

3. Kontrollera att den gröna laddningslampan på batteriladdaren tänds. Det betyder att batteriet är korrekt anslutet till batteriladdaren.
4. När alla lysdioder på batteriet lyser är batteriet fulladdat. (Fig. 27)
5. Koppla bort batteriladdaren från eluttaget genom att dra i kontakten. Dra ej i kabeln.
6. Ta ut batteriet ur batteriladdaren.

Notera: Se handböckerna för batteri och batteriladdare för mer information.

Arbetsläge

- Håll produkten med båda händerna.
- Håll produkten på högre sida av kroppen.
- Håll skärutrustningen under midjenivå.
- Håll alla kroppsdelar borta från varma ytor.
- Håll alla kroppsdelar borta från skärutrustningen.

Innan du använder produkten

- Undersök arbetsområdet för att se till att du känner till terrängtypen, markens lutning och om det finns hinder som stenar, grenar och gropar.
- Gör en övergripande kontroll av produkten.
- Utför säkerhetsinspektioner, underhåll och service enligt den här bruksanvisningen.
- Se till att alla kåpor, skydd, handtag och tillbehör är korrekt anslutna och att de inte är skadade.

Starta produkten

1. Håll på/av-knappen intryckt tills den gröna lysdioden tänds. (Fig. 28)
2. Använd gasreglaget för att reglera hastigheten.

Begränsa det maximala varvtalet med lägesknappen

Produkten har en lägesknapp. Du kan använda den till att begränsa maxhastigheten. Lägesknappen har tre hastighetsnivåer. En lägre nivå ökar drifttiden för produkten. Lägesknappen har tre hastighetsnivåer. En lägre nivå ökar drifttiden för produkten. Använd nivå 1 och 2 om arbetet inte kräver full hastighet/full effekt. Om full hastighet/effekt krävs för arbetet använder du nivå 3. Använd inte högre nivå än vad som behövs för arbetet.

1. Tryck på lägesknappen för att ställa in en gräns för det maximala varvtalet. De vita lysdioderna tänds för att visa att funktionen är på. (Fig. 29)
2. Tryck på lägesknappen igen för att välja nästa hastighetsnivå.

Automatisk avstängningsfunktion

Produkten har en automatisk avstängningsfunktion som stänger av den om du inte använder den på tre minuter.

Stoppa produkten

1. Släpp gasreglaget eller gasreglagespärren.
2. Tryck på på/av-knappen. (Fig. 30)
3. Tryck på frigöringsknapparna på batteriet och dra ut batteriet. (Fig. 31)

Underhåll

Introduktion



VARNING: Innan du utför något underhållsarbete måste du läsa och förstå kapitlet om säkerhet.

Nedan följer en lista över de underhållssteg som ska utföras på produkten. Utöver det underhåll som beskrivs i underhållsschemat ska du låta en Husqvarna-serviceverkstad utföra service på produkten regelbundet. Kontakta en Husqvarna serviceverkstad för information om serviceintervallen.

Underhållsschema



VARNING: Ta bort batteriet innan du utför underhåll.

Underhåll	Dagligen	Varje vecka	Varje månad
Rengör produktens yttre delar med en torr trasa. Använd inte vatten.	X		
Kontrollera att strömknappen fungerar som den ska och att den inte är skadad.	X		
Kontrollera att gasreglaget och gasreglagespärren fungerar korrekt säkerhetsmässigt.	X		
Se till att samtliga kontroller fungerar och inte är skadade.	X		
Håll handtagen torra, rena och fria från olja och fett.	X		
Se till att skruvar och muttrar är åtdragna.	X		
Se till att frigöringsknapparna på batteriet fungerar och låser fast batteriet i produkten.	X		
Se till att batteriet inte är skadat.	X		
Se till att batteriet är laddat.	X		
Kontrollera att batteriladdaren fungerar korrekt och inte är skadad.	X		
Undersök alla kablar, kopplingar och anslutningar. Se till att de inte är skadade eller smutsiga.		X	
Kontrollera anslutningarna mellan batteriet och produkten. Kontrollera anslutningen mellan batteriet och batteriladdaren.			X

Rengöra produkten, batteriet och batteriladdaren

1. Rengör produkten med en torr trasa efter användning.
2. Rengör batteriet och batteriladdaren med en torr trasa. Håll batteriets styrspår rena.
3. Kontrollera att kontakterna på batteriet och batteriladdaren är rena innan batteriet sätts i batteriladdaren eller i produkten.

Twådelat riggrör

Applicera fett på drivaxelns ände efter var 30:e driftimme. Det finns risk att drivaxeländarna (splinesförbanden) på de delbara modellerna kärvar ihop om de inte smörjs regelbundet. (Fig. 32)

Felsökning

Knappsats

LED-display	Eventuella fel	Möjlig åtgärd
Grön lysdiod blinkar	Låg batterispänning.	Ladda batteriet.
Röd lysdioden för fel blinkar	Överbelastning.	Skärutrustningen har fastnat. Inaktivera produkten. Ta bort batteriet. Rensa skärutrustningen från oönskat material.
	Temperaturavvikelse.	Låt produkten svalna.
	Gasreglaget och aktiveringsknappen trycks ned samtidigt.	Släpp gasreglaget så aktiveras produkten.
Produkten startar inte	Smuts i batteriets kontakter.	Rengör batteriets kontakter med tryckluft eller en mjuk borste.
Felindikatorn lyser med rött ljus.	Produkten behöver service.	Kontakta en serviceverkstad.

Transport, förvaring och kassering

Transport och förvaring

- Medföljande Li-Ion-batterier uppfyller kraven i lagstiftningen för farligt gods.
- Följ de särskilda kraven för förpackning och etiketter för kommersiella transporter, inklusive av tredje parter och speditörer.
- Tala med en person med särskild utbildning i farliga material innan du skickar produkten. Följ alla tillämpliga nationella föreskrifter.
- Använd tejp på öppna kontakter när du lägger batteriet i en förpackning. Lägg batteriet trängt i förpackningen för att förhindra rörelse.
- Ta ur batteriet vid förvaring eller transport.
- Placera batteriet och batteriladdaren i ett utrymme som är torrt och fritt från fukt och frost.
- Förvara inte batteriet på ställen där statisk elektricitet kan uppkomma. Förvara inte batteriet i en metallåda.
- Förvara batteriet på en plats där temperaturen är mellan 5 och 25°C, och inte i direkt solljus.
- Förvara batteriladdaren på en plats där temperaturen är mellan 5 och 45 °C, och inte i direkt solljus.
- Använd endast batteriladdaren när omgivningstemperaturen är mellan 5 och 40°C.
- Ladda batteriet till 30–50 % innan du förvarar det under längre perioder.

- Förvara batteriladdaren på en plats som är stängd och torr.
- Håll batteriet borta från laddaren under förvaring. Låt inte barn och personer som inte är godkända röra utrustningen. Förvara utrustningen på en plats som du kan låsa.
- Rengör produkten och gör en fullständig service innan du ska förvara produkten under en längre tid.
- Använd transportskydd på produkten för att förhindra personskador eller skador på produkten under transport och förvaring.
- Sätt fast produkten under transport.

Avyttring av batteriet, laddaren och produkten

Symbolerna på produkten eller dess förpackning indikerar att denna produkt inte får hanteras som hushållsavfall. Återvinn den vid en återvinningsstation för elektrisk och elektronisk utrustning. Detta bidrar till att förhindra skador på miljön och personskador.

Kontakta lokala myndigheter, hushållsavfallsservice eller en återförsäljare för mer information om hur produkten kan återvinnas.

Tekniska data

Tekniska data

	325iLK
Motor	
Motortyp	BLDC (borstlös) 36 V
Varvtal på utgående axel, 1/min	8 400
Vikt	
Vikt (endast huvudenhet), kg	2,9
Bulleremission ^{9, 10}	
Ljudeffektnivå, uppmätt dB(A)	89–103
Ljudeffektnivå, garanterad L _{WA} dB(A)	90–106
Bullemnivåer ^{11, 12}	
Ekvivalent ljudtrycksnivå vid användarens öra, mätt enligt EN 62841-1, dB(A):	78–93
Vibrationsnivåer ^{13, 14}	
Vibrationsnivåer i handtagen, mätt enligt EN 62841-1, m/s ²	1,3–5,5/1,1–3,1

Godkända batterier

Batteri	BLi200	40-B220X
Typ	Litiumjonbatteri	Litiumjonbatteri
Batterikapacitet, Ah	5,2	6,0
Nominell spänning, V	36	36
Vikt, kg (lb)	1,3 (2,9)	1,4 (3,1)

⁹ Bulleremission till omgivningen uppmätt som ljudeffekt (LWA) enligt EG-direktiv 2000/14/EG. Rapporterad ljudeffektnivå för maskinen har uppmätts med den originalsårutrustning som ger den högsta nivån. Skillnaden mellan garanterad och uppmätt ljudeffekt är att den garanterade ljudeffekten också inkluderar spridning i mätresultatet och variationen mellan olika maskiner av samma modell enligt direktiv 2000/14/EG.

¹⁰ Brusintervallet är det lägsta till det högsta uppmätta värdet.

¹¹ Rapporterade data för ljudtrycksnivå för maskinen har en typisk statistisk spridning (standardavvikelse) på 3 dB(A) och har mätts med det originaltillbehör som ger den högsta nivån.

¹² Brusintervallet är det lägsta till det högsta uppmätta värdet.

¹³ Rapporterade data för vibrationsnivå har en typisk statistisk spridning (standardavvikelse) på 2 m/s². Vid jämförelse av vibrationsnivåer mellan batteri- och förbränningsdrivna produkter används vibrationsberäkningen på <https://www.husqvarna.com/uk/services-solutions/vibration-calculator/>.

¹⁴ Brusintervallet är det lägsta till det högsta uppmätta värdet.

Godkända batteriladdare

Batteriladdare	QC330	40-C500X
Ingående spänning, V	100–240	100–240
Frekvens, Hz	50–60	50–60
Effekt, W	330	500

Tillbehör

Tillbehör

Godkända tillbehör	Tillbehörsnummer ¹⁵	Tillbehörsgrupp ¹⁶	Använd med
Röjsågstillbehör BCA850	1	1–10	325iLK
Lövblaststillbehör BA101	11	11–20	325iLK
Kantskärartillbehör ECA850	21	21–30	325iLK
Kantskärartillbehör ESA850	22	21–30	325iLK
Häcksaxtillbehör HA860	32	31–40	325iLK
Stängsågstillbehör PAX730	41	41–50	325iLK
Stängsågstillbehör PAX1100	42	41–50	325iLK
Sågtillbehör PA1100	43	41–50	325iLK
Borsttillbehör SR600-2	51	51–60	325iLK
Kraftig borste, tillbehör BR600	52	51–60	325iLK
Vertikalskärartillbehör DT600	53	51–60	325iLK
Kultivatorstillbehör CA230	54	51–60	325iLK
Tigersågstillbehör RA850	2	1–10	525iLK

¹⁵ Det finns ett visst antal godkända tillbehör i varje tillbehörsgrupp.

¹⁶ De godkända tillbehören delas upp i tillbehörsgrupper. Tillbehören i respektive grupp har liknande funktioner och dekaler.

Försäkran om överensstämmelse

EU-försäkran om överensstämmelse

Vi, **Husqvarna AB**, 561 82 Huskvarna, Sverige, tel:
+46-36-146500, försäkrar på eget ansvar att produkten:

Beskrivning	Batteridrivet kraftaggregat (grässtrimmer)
Varumärke	Husqvarna
Typ/Modell	325iLK (standardenhet)
Identifiering	Serienummer daterade 2024 och framåt

uppfyller alla krav i följande EU-direktiv och förordningar:

Direktiv/förordning	Beskrivning
2006/42/EG	"om maskiner"
2014/30/EMC	"angående elektromagnetisk kompatibilitet"
2011/65/EU	"om begränsning av farliga ämnen"
2000/14/EG	"angående buller utomhus"

och att följande standarder och/eller tekniska specifikationer tillämpas: EN ISO 12100:2010, EN 62841-1:2015+AC:2015+A11:2022, EN 62841-4-2:2019+A11:2022+A1:2022, IEC 62841-4-4:2020+A1:2024, IEC 62841-4-6:2022, ISO 11449:1994, EN ISO 11680-1:2021, EN 61000-6-3:2007+A1:2011, EN 61000-6-1:2016, EN IEC 63000:2018.



SMP Svensk Maskinprovning AB, Box 4053, SE-904 03 Umeå, Sweden har utfört en frivillig typkontroll enligt bilaga IX till 2006/42/EG. Certifikatnummer: SEC/24/2593.

Anmält organ: SMP Svensk Maskinprovning AB, har även intygat överensstämmelse med bilaga V till rådets direktiv 2000/14/EG. Certifikatnummer: 01/1610/013.

Information om bulleremissioner finns i *Tekniska data på sida 29*.

Huskvarna, 2024-02-01

Stefan Holmberg, R&D Director, Technology Management, Husqvarna AB, Sverige

Ansvarig för teknisk dokumentation

Indhold

Indledning.....	32	Fejlfinding.....	41
Sikkerhed.....	33	Transport, opbevaring og bortskaffelse.....	41
Montering.....	38	Tekniske data.....	42
Drift.....	39	Tilbehør.....	43
Vedligeholdelse.....	40	Overensstemmelseserklæring.....	44

Indledning

Anvendelsesformål

Denne strømenhed er en basisenhed, der kun fungerer sammen med godkendt tilbehør, der kan ses i *Tilbehør*

på side 43. Sørg for at læse denne instruktionsbog sammen med manualen til det godkendte tilbehør.

Produktoversigt

(Fig. 1)

1. Brugervejledning
2. 4 mm unbrakonøgle
3. Loophåndtag
4. Greb
5. Tænd/sluk-knap
6. Hastighedstilstandsknap
7. Strømuløserlås
8. Brugergænseflade
9. Strømuløser
10. Batterioplader (tilbehør)
11. Opladnings- og fejlindikator på opladeren
12. Knapper til udløsning af batteri
13. Batteri (tilbehør)
14. LED-indikator for opladningsstatus
15. LED-indikator for advarsel
16. Batteriindikatoroknap
17. Kobling til udstyr

(Fig. 5)

Jævnstrøm.

(Fig. 6)

Produktet er i overensstemmelse med gældende EF-direktiver.

(Fig. 7)

Symbolerne på produktet og emballagen betyder, at produktet ikke må behandles som almindeligt husholdningsaffald. Dette produkt skal bortskaffes på et godkendt opsamlingssted.

(Fig. 8)

Produktet er beskyttet mod vandstænk.

yyyywwxxxx

Typeskiltet viser serienummeret. **yyyy** er produktionsåret, **ww** er produktionsugen, og **xxxx** er det fortløbende nummer.

Bemærk: Andre symboler/mærkater på produktet henviser til certificeringskrav i andre handelsområder.

Bemærk: Batteriet og batteriopladeren kan se anderledes ud på forskellige modeller.

Symboler på produktet

(Fig. 2)

ADVARSEL! Dette produkt kan være farligt! Skødesløs eller forkert brug kan resultere i alvorlige skader eller dødsfald for brugeren eller andre. Det er ekstremt vigtigt, at du læser og forstår indholdet i denne brugervejledning. Læs brugervejledningen omhyggeligt igennem, og sørg for at have forstået instruktionerne, inden du bruger produktet.

(Fig. 3)

Frakobl batteriet før vedligeholdelse.

(Fig. 4)

Nominal spænding, V

Producent

Husqvarna AB

Drottninggatan 2, SE-561 82 Huskvarna, Sweden, tel: +46-36-146500

Skader på produktet

Vi er ikke ansvarlige for skader på vores produkt, hvis:

- produktet er forkert repareret.
- produktet er repareret med dele, der ikke er fra producenten eller ikke er godkendt af producenten
- produktet har tilbehør, der ikke er fra producenten eller ikke er godkendt af producenten.
- produktet ikke er repareret på et godkendt servicecenter eller af en godkendt myndighed.

Support

Du kan få support til produktet ved at gå til afsnittet Support om at få adgang til

instruktioner, fejlfindingsvejledninger eller bruge Husqvarna selvbetjeningen og produktassistenten (hvis tilgængelig på dit marked). Tal med din Husqvarna-serviceforhandler for at få support til dit produkt.

Sikkerhed

Sikkerhedsdefinitioner

Advarsler, forholdsregler og bemærkninger bruges til at pege på særligt vigtige dele af brugsanvisningen.



ADVARSEL: Bruges, hvis føreren udsætter sig selv eller omkringstående personer for risiko for personskade eller dødsfald ved tilsidesættelse af instruktionerne i brugsanvisningen.



BEMÆRK: Bruges, hvis der er risiko for skader på produktet, andre materialer eller det omgivende område ved tilsidesættelse af instruktionerne i brugsanvisningen.

Bemærk: Bruges til at give yderligere oplysninger, der er nødvendige i en given situation.

Generelle sikkerhedsadvarsler om elværktøj



ADVARSEL: Sørg for at læse manualen til det godkendte tilbehør sammen med denne instruktionsbog til strømneheden.



ADVARSEL: Læs alle sikkerhedsadvarsler, instruktioner, illustrationer og specifikationer, der følger med dette elværktøj. Hvis du ignorerer de nedenfor anførte instruktioner, kan det medføre elektrisk stød, brand og/eller alvorlige skader.

Bemærk: Opbevar alle advarsler og instruktioner til senere brug. Betegnelsen "elværktøj" i advarslerne henviser til dit værktøj, som drives af strøm fra elektricitetsnettet (med ledning) eller fra batteri (ledningsfrit).

Sikkerhed i arbejdsområdet

- **Hold arbejdsområdet rent og godt oplyst.** Rodede eller mørke områder er en invitation til ulykker.
- **Betjen ikke maskiner i eksplosive atmosfærer, f.eks. i nærheden af brændbare væsker, gasser eller støv.** Maskiner danner gnister, som kan antænde støv eller dampe.

- **Hold bøm og andre personer borte under brugen af en maskine.** Distraction kan få dig til at miste styringen.

Elektrisk sikkerhed

- **Maskinens stik skal passe ind i stikdåsen. Man må aldrig ændre på stikket. Undlad at bruge adaptere sammen med jordforbundne maskiner.** Uændrede stik og passende stikkontakter reducerer risikoen for elektrisk stød.
- **Undgå kropskontakt med jodede genstande som f.eks. rør, radiatorer, komfurer og køleskabe.** Der er øget risiko for elektrisk stød, hvis din krop har forbindelse til jord.
- **Udsæt ikke maskiner for regn eller våde omgivelser.** At der trænger vand ind i en maskine, øger risikoen for et elektrisk stød.
- **Behandl kablet forsigtigt. Benyt aldrig ledningen til at bære eller trække maskinen eller til at trække stikket ud. Hold kablet væk fra varme, olie, skarpe kanter eller bevægelige dele.** Beskadigede eller filtrerede kabler forøger risikoen for elektrisk stød.
- **Hvis du arbejder med en maskine udendørs, bør du kun bruge forlængerledninger, som også er beregnet til udendørs brug.** Brug af et kabel, der er egnet til udendørs brug, reducerer risikoen for elektrisk stød.
- **Hvis det ikke kan undgås at arbejde med en maskine under fugtige forhold, skal der benyttes en elforsyning, som er beskyttet med en fejlstrømsafbryder (RCD).** Brug af et kabel med fejlstrømsafbryder nedsætter risikoen for elektrisk stød.

Personlig sikkerhed

- **Vær opmærksom, hold øje med, hvad du foretager dig, og brug sund fornuft, når du betjener en maskine. Undlad at bruge en maskine, når du er træt eller påvirket af narko, alkohol eller medicin.** Et øjeblik uopmærksomhed under brugen af en maskine kan føre til alvorlige personskader.
- **Bær personligt beskyttelsesudstyr. Brug altid beskyttelsesbriller.** Beskyttelsesudstyr som støvmaske, skridsikre sikkerhedssko, beskyttelseshjelm eller høreværn, som benyttes til de relevante formål vil nedsætte risikoen for personskade.
- **Sørg for at forhindre uønsket start af værktøjet. Sørg for, at det elektriske værktøj er slukket, før du sætter dets stik i stikdåsen og/eller batteripakken, løfter maskinen op eller bærer det.** Hvis du har fingeren på kontakten, når du bærer maskiner eller sætter stikket

i stikdåsen, mens maskinerne er tændt, kan dette føre til ulykker.

- **Fjern justeringsværktøjer eller skruenøgler, før du tænder for maskinen.** Et værktøj eller en nøgle, der sidder i en roterende del af maskinen, kan medføre personskader.
- **Stræk dig ikke for langt. Sørg for altid at have godt fodfæste og god balance.** Derved kan du bedre kontrollere maskinen i uventede situationer.
- **Bær det korrekte tøj. Undgå at bære løstsiddende tøj eller smykker.** Hold hår og tøj væk fra bevægelige dele. Løst tøj, smykker eller langt hår kan blive fanget af bevægelige dele.
- **Hvis der forefindes udstyr til støvudsugning og -opsamling, skal du sikre, at det er tilsuttet, og at det bruges korrekt.** Brug af støvopsamling kan nedbringe støvrelaterede farer.
- **Lad dig ikke blænde af falsk sikkerhed, og bryd ikke sikkerhedsreglerne for maskiner, selv hvis du er fortrolig med maskinen efter mange anvendelser.** En uforsigtig handling kan give alvorlige skader på en brøkdæl af et sekund.

Maskinens brug og behandling

- **Undlad at tvinge maskinen. Brug den maskine, der er beregnet til dit arbejde.** Med den passende maskine arbejder du bedre og mere sikkert ved den norm, som den er konstrueret til.
- **Undlad at bruge en maskine, hvis kontakt er i stykker.** En maskine, der ikke længere kan tændes eller slukkes, er farlig og skal repareres.
- **Tag stikket ud af stikkontakten og/eller fjern batterienheden, hvis den kan tages ud, fra maskinen, før du foretager justeringer, skifter tilbehør eller sætter dem til opbevaring.** Denne sikkerhedsregel forhindrer, at maskinen tændes ved en fejl.
- **Opbevar maskiner, der ikke bruges, udenfor børns rækkevidde. Lad ikke personer, som ikke er fortrolige med maskinerne eller ikke har læst disse anvisninger, bruge maskinerne.** Maskiner er farlige, hvis de bruges af uerfarne personer.
- **Vedligehold maskiner og tilbehør. Kontrollér, om bevægelige dele sidder forkert eller binder, om dele er ødelagt, og om der foreligger nogen anden tilstand, som kan påvirke maskinens funktion. Få de skadede maskiner repareret, før apparatet bruges.** Årsagen til mange ulykker er dårligt vedligeholdte maskiner.
- **Hold skæreprодукter skarpe og rene.** Korrekt vedligeholdte skæremaskiner med skarpe klinger er mindre tilbøjelige til at binde og er lettere at styre.
- **Benyt maskinen, tilbehøret, værktøjsbits osv. i overensstemmelse med disse instruktioner, og tag højde for arbejdsforholdene og det arbejde, der skal udføres.** At bruge maskinen til andet, end hvad den er beregnet til, kan medføre farlige situationer.
- **Hold håndtag og gribeblader tørre, rene og frie for olie og fedt.** Glatte håndtag og håndtagsflader gør

umuliggør en sikker betjening og kontrol af det elektriske værktøj i uforudsete situationer.

Brug og vedligeholdelse af batteridrevet maskine

- **Genoplad kun med den oplader, som producenten foreskriver.** En oplader, der egner sig til en bestemt type batteripakke, kan medføre risiko for brand, hvis den benyttes sammen med en anden batteripakke.
- **Brug kun maskiner med specifikt angivne batteripakker.** Brug af andre batterienheder medfører risiko for skader og brand.
- **Når batteripakken ikke anvendes, skal du holde den væk fra andre metalgenstande, såsom papir, clips, mønter, nøgler, søm, skrue eller andre små metalgenstande, der kan kortslutte polerne.** Kortslutning af batteripolerne kan forårsage forbrændinger eller brand.
- **Under ugunstige forhold kan der sprøjte væske ud fra batteriet, undgå kontakt. Hvis væsken alligevel berøres, skal der skylles med vand. Hvis du får væske i øjnene, skal du søge læge.** Væske, der siver ud fra batteriet, kan medføre irritation eller forbrænding.
- **Brug ikke en batteripakke eller en maskine, som er beskadiget eller modificeret.** Beskadigede eller modificerede batterier kan opføre sig uforudsigeligt og medføre brand, eksplosion eller risiko for personskade.
- **Udsæt ikke en batteripakke eller en maskine for brand eller høje temperaturer.** Udsættelse for brand eller temperatur over 130 °C / 265 °F kan forårsage eksplosion.
- **Følg alle opladningsinstruktioner, og oplad ikke batteripakken eller maskinen uden for det temperaturområde, der er angivet i instruktionerne.** Forkert opladning eller opladning ved temperaturer uden for det specificerede område kan beskadige batteriet og øge risikoen for brand.

Service

- **Lad kun kvalificeret fagpersonale reparere din maskine og kun med originale reservedele.** Dermed sikrer du dig, at maskinens sikkerhed bevares.
- **Der må aldrig udføres service på beskadigede batteripakker.** Service på batteripakker bør kun udføres af producenten eller autoriserede serviceudbydere.

Andre generelle sikkerhedsoplysninger

- **Sluk produktet, før du bevæger dig til et andet område.** Udtag altid batteriet, når produktet overdrages til en anden person.
- **Adskil aldrig produktet, medmindre du har deaktiveret det og fjernet batteriet.** Lad ikke apparatet være uden opsyn, når det er tændt.
- **Skæreværktøjet stopper ikke straks, efter at produktet er slukket.**

- Før brug af produktet og efter stød eller tab, skal maskinen kontrolleres for slitage og skader og om nødvendigt repareres.
- Skulle et eller andet sætte sig fast i klippeudstyret under betjening af produktet, skal du stoppe og deaktivere produktet. Sørg for, at skæreudstyret standser helt. Tag batteriet ud før rengøring, eftersyn eller reparation af produktet og/eller skæreudstyret.
- Kontrollér produktet inden brug. Se *Sikkerhedsanordninger på produktet på side 36* og *Vedligeholdelse på side 40*. Brug ikke et beskadiget produkt. Gennemfør sikkerhedskontrol, vedligeholdelse og service som beskrevet i denne brugsanvisning.
- Defekt klippeudstyr kan øge risikoen for ulykker.
- Kontrollér gearet for snavs og revnedannelse. Rengør gearet for græs og løv med en børste. Handsker skal benyttes, når det er nødvendigt.
- Sørg altid for, at ventilationsåbninger holdes fri for snavs.
- Kontrollér, at trimmerhovedet er sikkert påsat trimmeren.
- Alle afskærmninger, skærme og greb skal monteres før start.
- Kontrollér produktet, så det er i optimal stand. Kontrollér, at alle møtrikker og bolte er spændt.
- Kontrollér, at trimmerhovedet og trimmerskærmen er intakte og fri for revner. Udskift trimmerhovedet eller trimmerskærmen, hvis de har været udsat for slag eller er revnet. Brug altid den anbefalede skærm for det pågældende klippeudstyr. Se *Tekniske data på side 42*.
- Dette produkt er et farligt værktøj, hvis du ikke er forsigtig, eller hvis du bruger produktet forkert. Dette produkt kan forårsage alvorlig personskade eller død for brugeren eller andre.
- Denne enhed er ikke til brug for personer (herunder børn) med nedsatte fysiske, følelsesmæssige eller mentale evner eller mangel på erfaring og viden, medmindre de er under opsyn eller modtaget træning i brugen af enheden af en person, der er ansvarlig for deres sikkerhed. Børn skal være under opsyn for at sikre, at de ikke leger med enheden.
- Tillad aldrig børn at anvende eller være i nærheden af maskinen. Da maskinen er nemt at starte, kan børn muligvis starte den, hvis de ikke holdes under opsyn. Dette kan indebære risiko for alvorlige personskader. Tag derfor batteriet ud, når maskinen ikke er under opsyn.
- Lad ikke børn eller personer, som ikke er trænet i brugen af produktet og/eller batteriet, bruge eller udføre service på den/det.
- Opbevar udstyret et sted, der kan aflåses, så det er utilgængeligt for børn og uvedkommende.
- Transportdækslet skal altid anvendes ved opbevaring og transport.
- Hold altid hænder og fødder væk fra beskæringsområdet, særligt når motoren tændes.
- Når produktet slukkes, skal du sørge for at holde hænder og fødder væk fra skæreudstyret, indtil det er standset helt.
- Fjern ikke afskåret materiale, og lad ikke andre personer fjerne afskåret materiale, mens produktet er tændt, eller skæreudstyret roterer, da det kan resultere i alvorlig skade.
- Vær opmærksom på, at du som bruger af udstyret er ansvarlig for, at andre personer og deres ejendom ikke udsættes for uheld eller faremomenter.
- Produktets oprindelige udformning må under ingen omstændigheder ændres uden producentens samtykke. Brug altid originalt tilbehør. Ikke-autoriserede ændringer og/eller ikke-godkendt tilbehør kan medføre alvorlige skader eller døden for brugeren eller andre. Din garanti dækker ikke skader eller ansvar som følge af anvendelse af ikke-godkendt tilbehør eller reservedele.
- Det eneste tilbehør, du må anvende med dette produkt, er det klippeudstyr, der anbefales i kapitlet Tilbehør. Se *Tilbehør på side 43*.
- Brug aldrig et produkt, der er blevet ændret, så det ikke længere svarer til originalmodellen
- Brug aldrig et produkt, som er behæftet med fejl. Følg instruktionerne for sikkerhedskontrol, vedligeholdelse og service i denne brugervejledning. Visse vedligeholdelses- og serviceforanstaltninger må kun udføres af erfarne og kvalificerede specialister. Se anvisningerne under overskriften Vedligeholdelse.
- Arbejde i dårligt vejr er trættende og øger ofte risici for skader. På grund af den øgede risiko anbefales det ikke at bruge maskinen i meget dårligt vejr, f.eks. tæt tåge, kraftig regn, hård vind, kraftig kulde, risiko for lynnedslag osv.
- Arbejd aldrig på en stige, stol, palle eller fra et andet højt sted, som ikke er helt stabilt.
- Opbevar inaktive apparater indendørs - Når apparaterne ikke er i brug, bør de opbevares indendørs
- Det er ikke muligt at tage højde for alle de situationer, du kan tænkes at komme ud for. Udvis derfor altid forsigtighed, og brug din sunde fornuft. Undgå situationer, som du ikke synes, du er tilstrækkeligt kvalificeret til. Hvis du stadig føler dig usikker med hensyn til fremgangsmåden, efter at du har læst disse anvisninger, skal du kontakte en ekspert, før du fortsætter.
- Sørg for, at ingen mennesker eller dyr kommer tættere på end 15 m under arbejdet. Hvis flere brugere arbejder i det samme område, skal sikkerhedsafstanden være mindst 15 meter. Dette kan indebære risiko for alvorlige personskader. Stands øjeblikkeligt produktet, hvis nogen nærmer sig. Sving aldrig rundt med produktet uden først at kontrollere bagud, at der ikke befinder sig nogen i sikkerhedszonen.
- Sørg for, at hverken mennesker, dyr eller andet kan ikke påvirke din kontrol af produktet eller, at de ikke kan komme i kontakt med skæreudstyret eller løse

genstande, som slynges væk af skæredstyret. Brug aldrig produktet uden mulighed for at kunne tilkalde hjælp i tilfælde af en ulykke.

- Sørg for, at du kan bevæge dig og stå sikkert. Kig efter eventuelle forhindringer ved en uventet retrætte (rødder, sten, grene, huller, grøfter osv.). Vær meget forsigtig ved arbejde i skrånende terræn.
- Gå. Løb aldrig.
- Kontrollér arbejdsområdet. Fjern alle løse genstande som for eksempel sten, knust glas, søm, ståltråd, snor og lignende, som kan slynges ud eller sno sig ind i klingen eller klingskærmen.
- Pas på grenstumper, som kan slynges væk, når du beskærer. Skær ikke for nær ved jorden, hvor sten eller andre løse genstande kan blive slynget op.
- Sørg for, at tøj eller kroppsdele ikke kan komme i kontakt med skæredstyret, mens produktet er aktiveret. Hold produktet under hoftehøjde.
- Pas på udslyngede genstande. Godkendt øjenværn skal altid anvendes. Læn dig aldrig ind over skæredstyrsskærmen. Sten, skidt m.m. kan blive slynget op i øjnene og forårsage blindhed eller alvorlige skader.
- Vær altid opmærksom på advarselssignaler eller tilråb, når høreværnet bruges. Tag altid høreværnet af, så snart produktet er standset.
- Hvis uønskede vibrationer forekommer, bank let en ny tråd ud for at få den korrekte længde til at stoppe vibrationerne.
- Hvis produktet begynder at vibrere unormalt, skal du standse produktet og fjerne batteriet.
- Overeksponering af vibrationer kan føre til kredsløbsforstyrrelser og skader på nervesystemet hos personer med kredsløbsforstyrrelser. Tal med din læge, hvis du får symptomer på overeksponering af vibrationer. Eksempler på sådanne symptomer er følelsesløshed, manglende følesans, kildren, stikken, smerte, manglende eller reduceret styrke i forhold til normalt, forandringer i hudens farve eller i dens overflade. Disse symptomer opstår almindeligvis i fingre, hænder og håndled.
- Hold altid fast om produktet med begge hænder. Hold produktet på højre side af kroppen.

Personligt beskyttelsesudstyr



ADVARSEL: Læs følgende advarelsinstruktioner, inden du bruger produktet.

- Brug godkendt personligt beskyttelsesudstyr, når du bruger produktet. Personligt beskyttelsesudstyr udelukker ikke fuldstændigt risikoen for personskader, men det mindsker graden af skaderne i tilfælde af, at der skulle ske en ulykke. Lad forhandleren hjælpe dig med at vælge det rigtige udstyr.
- Brug en sikkerhedshjelm, hvor der er risiko for nedfaldende genstande.

- Brug godkendt høreværn med tilstrækkelig dæmpning. Langvarig eksponering for støj kan medføre permanente høreskader.
- Brug godkendt øjenværn. Hvis du bruger et ansigtssværn, skal du også bruge godkendte beskyttelsesbriller. Godkendte beskyttelsesbriller skal være i overensstemmelse med den amerikanske standard ANSI Z87.1 eller EU-standardEN 166.
- Brug et visir til ansigtsbeskyttelse. Et visir er ikke nok til at beskytte øjnene.

(Fig. 9)

- Brug om nødvendigt beskyttelseshandsker, f.eks. ved montering, eftersyn og rengøring af skæredstyret.
- Brug skridsikre og stabile støvler.
- Brug beklædning, der er lavet af et stærkt materiale. Brug altid kraftige lange bukser og lange ærmer. Brug ikke løstsiddende tøj, som kan sætte sig fast i buske og grene. Undgå smykker, shorts og sandaler, og gå ikke barfodet. Sæt håret op i en sikker højde, dvs. over skulderen.

(Fig. 10)

- Sørg for at have førstehjælpsudstyr ved hånden.

(Fig. 11)

Sikkerhedsanordninger på produktet



ADVARSEL: Læs følgende advarelsinstruktioner, inden du bruger produktet.

I dette afsnit forklares mere om produktets sikkerhedsfunktioner og deres formål, samt hvordan kontrol og vedligeholdelse skal udføres for at sikre, at de fungerer. Se anvisningerne under afsnittet *Indledning på side 32* for at finde ud af, hvor disse dele er placeret på dit produkt.

Produktets levetid kan forkortes og risikoen for ulykker kan øges, hvis vedligeholdelsen ikke udføres korrekt, og hvis service og/eller reparation ikke udføres fagligt korrekt. Kontakt det nærmeste serviceværksted for at få yderligere oplysninger.



ADVARSEL: Brug aldrig et produkt med beskadiget sikkerhedsudstyr. Produktets sikkerhedsudstyr skal kontrolleres og vedligeholdes som beskrevet i dette afsnit. Klarer produktet ikke alle kontrollerne, skal du kontakte et serviceværksted for at få den repareret.



BEMÆRK: Al service og reparation af maskinen kræver specialuddannelse. Dette gælder især maskinens sikkerhedsudstyr. Hvis maskinen ikke klarer nogen af de nedennævnte kontroller, skal du kontakte

dit serviceværksted. Ved at købe nogle af vores produkter kan du være sikker på at få en faglig korrekt reparation og service. Hvis maskinen er købt et sted, som ikke er en af vores serviceydende forhandlere, skal du spørge dem efter det nærmeste serviceværksted.

betjeningen nem og sikker og forhindrer skader på brugeren eller andre personer.

Sådan kontrolleres brugergrensefladen

- Tryk og hold tænd/sluk-knappen (A) nede. (Fig. 12)
 - Produktet er tændt, når displayet (B) bliver tændt.
 - Produktet er slukket, når displayet bliver slukket.
- Hvis advarselsindikatoren bliver tændt eller blinker, se *Tastatur på side 41*.

Sådan kontrolleres låsen på strømudløseren

Låsen på strømudløseren er designet til at forhindre utilsigtet aktivering. Når du trykker strømudløserlåsen fremad (A) og derefter trykker strømudløserlåsen mod håndtaget (B), slippes strømudløseren (C). Når du trykker strømudløserlåsen fremad og derefter trykker strømudløserlåsen mod håndtaget, slippes strømudløseren. Denne bevægelse udløses af tre uafhængige fjedre. (Fig. 13)

- Kontrollér, at strømudløseren er låst, når låsen er i udgangsstillingen. (Fig. 14)
- Tryk strømudløserlåsen fremad (A) og ned. Tryk strømudløserlåsen mod håndtaget (B), og kontrollér, at den vender tilbage til udgangsstillingen, når den slippes. (Fig. 15)
- Kontrollér, at strømudløseren og låsen på strømudløseren bevæger sig frit, og at returfjedrene fungerer korrekt. (Fig. 16)
- Tryk på ON/OFF-knappen for at tænde produktet.
- Tryk strømudløseren helt frem for at køre med fuld hastighed.
- Slip strømudløseren, og sørg for, at skæreudstyret standser og forbliver standset.

Sikkerhedsinstruktioner til montering



ADVARSEL: Læs denne vejledning til strømheden sammen med vejledningen til godkendt tilbehør.

- Fjern batteriet fra produktet, før du samler produktet.
- Brug godkendte beskyttelseshandsker.
- En beskadiget eller forkeft skærm kan forårsage personskade. Brug ikke skæreudstyr, hvor der ikke er monteret godkendt skærm.
- Sørg for at samle dækslet og akslen korrekt før start af produktet.
- Hvis selen leveres sammen med tilbehøret, skal selen fastgøres korrekt til produktet. Selen gør



ADVARSEL: Læs følgende advarselsinstruktioner, inden du bruger produktet.

- Brug kun batterier, der er godkendt af Husqvarna. Se *Godkendte batterier på side 42*. Batterierne er softwarekrypteret.
- Brug kun Husqvarna-godkendte batterier som strømforsyning til de tilhørende Husqvarna-produkter. For at undgå personskade må batteriet ikke anvendes som strømforsyning til andre produkter.
- Risiko for elektrisk stød. Tilslut ikke batteripolerne til nøgler, mønter, skruer eller andre metalgenstande. Dette kan medføre en kortslutning af batteriet.
- Undgå at bruge ikke-genopladelige batterier.
- Sæt ikke genstande ind i batteriets luftspalte.
- Hold batteriet væk fra sollys, varme og åben ild. Batteriet kan medføre forbrændinger og/eller kemiske forbrændinger.
- Hold batteriet væk fra regn og våde omgivelser.
- Hold batteriet væk fra mikrobølger og højt tryk.
- Forsøg ikke at skille batteriet ad eller ødelægge det.
- Hvis batteriet lækker, skal du sørge for, at væsken ikke kommer i kontakt med hud eller øjne. Ved berøring af væsken skal området skylles med en stor mængde vand og sæbe, hvorefter der opsøges lægehjælp. Hvis du får væske i øjnene, må du ikke gnide øjnene. Sørg for at skylle dem med rigeligt vand i mindst 15 minutter, og søg derefter lægehjælp.
- Brug batteriet i temperaturer mellem -10 °C (14 °F) og 40 °C (114 °F).
- Batteriet eller batteriopladeren må aldrig rengøres med vand. Se *Sådan rengøres produktet, batteriet og batteriopladeren på side 40*.
- Brug ikke et batteri, der er beskadiget eller ikke fungerer korrekt.
- Opbevar batterierne væk fra metalgenstande som f.eks. søm, skruer og smykker.
- Opbevar batteriet utilgængeligt for børn.

Batteriopladersikkerhed



ADVARSEL: Læs følgende advarselsinstruktioner, inden du bruger produktet.

- Risiko for elektrisk stød eller kortslutning, hvis sikkerhedsinstruktionerne ikke overholdes.
- Brug ikke andre batteriopladere end den, der blev leveret med dit produkt. Brug kun Husqvarna-godkendte batteriopladere til opladning

af Husqvarna-godkendte batterier. Se *Tekniske data på side 42* for yderligere vejledninger.

- Forsøg aldrig at adskille batteriopladeren.
- Brug ikke en batterioplader, der er beskadiget eller ikke fungerer korrekt.
- Løft aldrig batteriopladeren ved hjælp af ledningen. Træk stikket ud for at afbryde batteriopladeren fra stikkontakten. Træk ikke i strømkablet.
- Hold alle kabler og forlængerledninger væk fra vand, olie og skarpe kanter. Sørg for, at ledningen ikke bliver klemt i eksempelvis døre, hegn eller lignende.
- Brug ikke batteriopladeren i nærheden af brandfarlige materialer eller materialer, der kan medføre korrosion. Sørg for, at batteriopladeren ikke er dækket. I tilfælde af røgafgivelse eller brand skal batteriopladeren afbrydes fra stikkontakten.
- Oplad kun batteriet indendørs på et sted med god ventilation og beskyttet mod direkte sollys. Batteriet må ikke oplades udendørs. Oplad ikke batteriet under våde forhold.
- Brug kun batteriopladeren ved temperaturer mellem 5 °C (41 °F) og 40 °C (104 °F). Brug batteriopladeren på et sted med god ventilation, hvor den ikke udsættes for fugt eller støv.
- Sæt ikke genstande ind i batteriopladerens luftspalter.
- Forbind aldrig batteriopladerens poler med metalgenstande, da dette kan kortslutte batteriopladeren.
- Brug godkendte stikkontakter, som ikke er beskadiget. Sørg for, at batteriopladerens ledning ikke er beskadiget. Hvis der bruges forlængerledninger, skal det sikres, at forlængerledningerne ikke er beskadiget.

Sikkerhedsinstruktioner for vedligeholdelse



ADVARSEL: Læs følgende advarselsinstruktioner, inden du udfører vedligeholdelse på produktet.

- Fjern batteriet, inden du udfører vedligeholdelse, anden kontrol eller samler produktet.
- Brugeren må kun udføre den form for vedligeholdelses- og servicearbejde, der beskrives i denne brugervejledning. Kontakt en servicetekniker i forbindelse med større vedligeholdelses- og serviceopgaver.
- Batteriet eller batteriopladeren må aldrig rengøres med vand. Stærke opløsningsmidler kan beskadige plasten.
- Hvis du ikke udfører vedligeholdelse, reduceres levetiden for produktet og risikoen for ulykker øges.
- Der kræves særlig uddannelse til al service og reparation, især for sikkerhedsanordninger på produktet. Hvis ikke alle kontroller i denne brugsanvisning er godkendt, efter du har udført vedligeholdelse, skal du kontakte din servicetekniker. Vi garanterer, at der er professionelle reparationer og vedligeholdelse til rådighed for dit produkt.
- Brug altid kun originale reservedele.
- Anvend altid kraftige handsker ved reparation af skæreudstyret. Klingerne er meget skarpe og kan forårsage skader.

Montering

Sådan monterer du loophåndtaget

1. Sæt loophåndtaget på akslen mellem pilene. Placer ikke loophåndtaget eller ophængsbeslaget på etiketten. (Fig. 17)
2. Skub afstandsstykket ind i sporet på loophåndtaget.
3. Monter møtrikken, grebet, og skruen uden at stramme for hårdt.
4. Juster produktet til en komfortabel position.
5. Spænd boltene.

Sådan monterer du den todelte aksel

1. Drej grebet for at løsne koblingen. (Fig. 18)
2. Ret tappen (A) ind efter pilen (B) på koblingsstykket. (Fig. 19)
3. Skub akslen ind i koblingen, indtil den klikker på plads. (Fig. 20)
4. Spænd grebet helt. (Fig. 21)

Sådan afmonterer du den todelte aksel

1. Drej grebet 3 gange rundt for at løsne koblingen. (Fig. 22)
2. Tryk på knappen (C), og hold den inde.
3. Hold fast i den ende af akslen, som motoren er tilsluttet.
4. Træk udstyret ud af koblingen. (Fig. 23)

Sådan monteres ophængningsringen om nødvendigt

1. Monter ophængningsringen mellem pilene på det bageste håndtag og loophåndtaget. (Fig. 24)

Bemærk: Placer ikke loophåndtaget på mærkaten.

2. Juster ringen for at gøre produktet afbalanceret og nemt at bruge.

Indledning



ADVARSEL: Læs og forstå kapitlet om sikkerhed, før du bruger produktet.

Husqvarna Connect

Husqvarna Connect er en gratis app til din mobile enhed. Appen Husqvarna Connect giver udvidede funktioner til dit Husqvarna produkt.

- Yderligere produktoplysninger.
- Oplysninger om, og hjælp til, dele og service.

Sådan kommer du i gang med at bruge Husqvarna Connect

1. Download Husqvarna Connect appen på din mobile enhed.
2. Tilmeld dig i Husqvarna Connect appen.
3. Følg instruktionerne i Husqvarna Connect-appen for at tilslutte og registrere produktet.

Bemærk: Husqvarna Connect-appen er ikke tilgængelig for download på alle markeder. Spørg en serviceforhandler for at få yderligere oplysninger.

Sådan tilsluttes batteriet til produktet



ADVARSEL: Brug kun originale Husqvarna batterier med produktet.

1. Kontroller, at batteriet er fuldt opladt.
2. Skub batteriet ind i batteriholderen på produktet. Batteriet låses på plads, når du hører et klik. (Fig. 25)



BEMÆRK: Hvis batteriet ikke bevæger sig let ind i batteriholderen, er batteriet ikke monteret korrekt. Det kan forårsage skader på produktet.

3. Sørg for, at batteriet er monteret korrekt

Sådan oplades batteriet

Bemærk: Oplad batteriet, hvis det er første gang, du bruger det. Et nyt batteri er kun 30 % opladet.

1. Kontrollér, at batteriet er tørt.
2. Sæt batteriet i batteriopladeren. (Fig. 26)

Bemærk: Batteriet og batteriopladeren kan se anderledes ud på forskellige modeller, men fremgangsmåden er den samme.

3. Kontrollér, at den grønne opladeindikator på batteriopladeren lyser. Det betyder, at batteriet er korrekt forbundet med batteriopladeren.
4. Når alle LED'erne på batteriet tændes, er batteriet fuldt opladet. (Fig. 27)
5. Træk stikket ud for at afbryde batteriopladeren fra stikkontakten. Træk ikke i ledningen.
6. Fjern batteriet fra batteriopladeren.

Bemærk: Der henvises til manualerne til batteriet og batteriopladeren for mere information.

Arbejdsstilling

- Hold produktet med begge hænder.
- Hold produktet på højre side af kroppen.
- Hold skæreudstyret under taljehøjde.
- Hold kropsdele væk fra varme flader.
- Hold kropsdele væk fra skæreudstyret.

Før du bruger produktet

- Undersøg arbejdsområdet for at sikre, at du kender terrænet, at du ved, om jorden skråner, og om der er forhindringer, f.eks. sten, grene og grøfter.
- Efterse produktet omhyggeligt.
- Udfør alle sikkerhedseftersyn samt service og vedligeholdelse, som fremgår af denne instruktionsbog.
- Sørg for, at alle afskærmninger, skærme, håndtag og tilbehør er korrekt monteret og intakte.

Sådan startes produktet

1. Tryk på Tænd/sluk-knappen, og hold den nede, indtil den grønne LED-indikator tændes. (Fig. 28)
2. Anvend strømudløseren til at regulere hastigheden.

Sådan begrænses den maksimale hastighed med tilstandsknappen

Dette produkt har en tilstandsknap. Med tilstandsknappen kan operatøren begrænse den maksimale hastighed. Tilstandsknappen har 3 hastighedsniveauer. Et lavere niveau øger produktets driftstid. Tilstandsknappen har 3 hastighedsniveauer. Et lavere niveau øger produktets driftstid. Brug niveau 1 og 2, hvis arbejdsopgaven ikke kræver fuld hastighed/ fuld kraft. Hvis driftsbetingelserne kræver fuld hastighed/ fuld effekt, skal du bruge niveau 3. Brug ikke et højere niveau end nødvendigt for driften.

1. Tryk på tilstandsknappen for at angive en grænseværdi for den maksimale hastighed. De hvide LED'er tændes for at angive, at funktionen er aktiv. (Fig. 29)
2. Tryk på tilstandsknappen igen for at vælge det næste hastighedsniveau.

Sådan standses produktet

1. Slip strømuløseren eller strømuløserlåsen.
2. Tryk på knappen On/Off. (Fig. 30)
3. Tryk på udløserknapperne på batteriet, og træk batteriet ud. (Fig. 31)

Automatisk slukkefunktion

Produktet har en automatisk OFF-funktion, der stopper produktet, hvis du ikke bruger det inden for 3 minutter.

Vedligeholdelse

Indledning



ADVARSEL: Inden du udfører vedligeholdelsesarbejde, skal du læse og forstå kapitlet om sikkerhed.

Vedligeholdelsesskema



ADVARSEL: Fjern batteriet, før du udfører vedligeholdelse.

Nedenfor vises en oversigt over det vedligeholdelsesarbejde, der skal udføres på produktet. Ud over den vedligeholdelse, der er angivet i vedligeholdelsesskemaet, skal du lade en Husqvarna-serviceforhandler udføre service på produktet regelmæssigt. Kontakt din Husqvarna-serviceforhandler for at få oplysninger om serviceintervaller.

Vedligeholdelse	Hver dag	Ugentligt	Månedligt
Rengør produktets udvendige overflade med en tør klud. Brug ikke vand.	X		
Kontrollér, at strømkontakten fungerer korrekt og ikke er beskadiget.	X		
Kontrollér, at strømuløseren og strømuløserlåsen fungerer i sikkerhedsmæssig henseende.	X		
Sørg for, at alle kontrolenheder fungerer og ikke er beskadiget.	X		
Hold håndtagene tørre, rene og frie for olie og fedt.	X		
Sørg for, at skruer og møtrikker er spændt.	X		
Kontrollér, at udløserknapperne på batteriet fungerer og låser batteriet på plads i produktet.	X		
Sørg for, at batteriet ikke er beskadiget.	X		
Sørg for, at batteriet er opladt.	X		
Sørg for, at batteriopladeren er ikke er beskadiget og fungerer korrekt.	X		
Undersøg alle kabler, koblinger og tilslutninger. Sørg for, at de ikke er beskadigede eller snavsede.		X	
Kontrollér forbindelserne mellem batteriet og produktet. Kontrollér forbindelserne mellem batteriet og batteriopladeren.			X

Sådan rengøres produktet, batteriet og batteriopladeren

1. Rengør produktet med en tør klud efter brug.

2. Rengør batteriet og batteriopladeren med en tør klud. Hold batteristyreposerne rene.

3. Sørg for, at polerne på batteriet og batteriopladeren er rene, før batteriet sættes i batteriopladeren eller produktet.

(splinestilslutningerne) på de delbare modeller kører trægt, hvis de ikke smøres regelmæssigt. (Fig. 32)

Todelt aksel

Smør fedt på enden af drivakslen efter 30 timers drift. Der er risiko for, at drivakselenderne

Fejlfinding

Tastatur

LED-display	Mulige fejl	Mulig løsning
Den grønne aktiverings-LED blinker	Lav batterispænding.	Oplad batteriet.
Den røde fejl-LED blinker	Overbelastning.	Skæredstyret er blokeret. Deaktiver produktet. Fjern batteriet. Rengør skæredstyret for uønskede materialer.
	Temperaturafvigelse.	Lad produktet køle af.
	Strømuløseren og aktiveringsknappen trykkes ind på én gang.	Udløs strømuløseren, og produktet aktiveres.
Produktet starter ikke	Batteritilslutningerne er snavsedede.	Rengør batteritilslutningerne med trykluft eller en blød børste.
Fejl-LED lyser rødt	Produktet kræver service.	Kontakt serviceafdelingen.

Transport, opbevaring og bortskaffelse

Transport og opbevaring

- De medfølgende li-ion-batterier overholder lovkraevne vedrørende farligt gods.
- Overhold de særlige krav vedrørende emballage og etiketter til kommerciel transport, herunder tredjeparter og speditører.
- Tal med en person med specialuddannelse i farligt materiale, før du sender produktet. Overhold alle gældende nationale bestemmelser.
- Sæt tape på åbne kontakter, når batteriet lægges i en pakke. Sørg for, at batteriet ikke kan bevæge sig i pakken.
- Fjern altid batteriet ved opbevaring eller transport.
- Sæt batteriet og batteriopladeren i et rum, der er tørt og fri for fugt og frost.
- Batteriet må ikke opbevares på steder, hvor statisk elektricitet kan forekomme. Opbevar ikke batteriet i en metalkasse.
- Opbevar batteriet ved temperaturer på mellem 5 °C og 25 °C og væk fra direkte sollys.
- Opbevar batteriopladeren ved temperaturer på mellem 5 °C og 45 °C og væk fra direkte sollys.
- Brug kun batteriopladeren ved en omgivende temperatur på mellem 5 °C og 40 °C.
- Oplad batteriet 30% til 50%, før du sætter det til opbevaring i længere tid.
- Opbevar batteriopladeren i et rum, der er lukket og tørt.
- Hold batteriet væk fra batteriopladeren under opbevaring. Lad ikke børn og andre ikke-autoriserede personer røre ved udstyret. Opbevar udstyret i et rum, der kan aflåses.
- Rengør produktet, og udfør fuld service, før du sætter produktet til opbevaring i længere tid.
- Brug transportskærmen på produktet for at forhindre personskader eller skader på produktet under transport og opbevaring.
- Fastspænd produktet sikkert under transporten.

Bortskaffelse af batteriet, batteriopladeren og produktet

Symbolerne på produktet eller emballagen angiver, at produktet ikke er almindeligt husholdningsaffald. Aflever det på en genbrugsstation til elektrisk og elektronisk

udstyr. Dette hjælper med at forhindre skader på miljøet og på personer.

Kontakt de lokale myndigheder, dit renovationselskab eller din forhandler for at få flere oplysninger om, hvordan du genbruger dit produkt.

Tekniske data

Tekniske data

	325iLK
Motor	
Motor type	BLDC (børsteløs) 36 V
Omdrejningstal på udgående akse, 1/min	8400
Vægt	
Vægt (kun strømenhed), kg	2,9
Støjemissioner ^{17, 18}	
Lydeffektniveau, målt dB(A)	89-103
Lydeffektniveau, garanteret L _{WA} dB (A)	90-106
Støjniveauer ^{19, 20}	
Ækvivalent lydtrykniveau ved brugerens ører målt i henhold til EN 62841-1, dB (A):	78-93
Vibrationsniveauer ^{21, 22}	
Vibrationsniveauer i håndtag målt i henhold til EN 62841-1, m/s ²	1.3-5.5/1.1-3.1

Godkendte batterier

Batteri	BLi200	40-B220X
Type	Lithiumion	Lithiumion
Batterikapacitet, Ah	5,2	6,0

¹⁷ Støjemissioner til omgivelserne målt som lydeffekt (LWA) i henhold til EF-direktiv 2000/14/EF. Rapporteret lydeffektniveau for maskinen er målt med det originale klippeudstyr, der giver det højeste niveau. Forskellen mellem garanteret og målt lydeffekt er, at den garanterede lydeffekt også omfatter spredning i måleresultatet og variationerne mellem forskellige maskiner af samme model i henhold til direktivet 2000/14/EF.

¹⁸ Støjområdet angiver laveste til højeste målte værdi.

¹⁹ Rapporterede data for maskinens lydtrykniveau har en typisk statistisk spredning (standardafvigelse) på 3 dB (A) og er blevet målt med det originale udstyr, der giver det højeste niveau.

²⁰ Støjområdet angiver laveste til højeste målte værdi.

²¹ Rapporterede data for vibrationsniveauer har en typisk statistisk spredning (standardafvigelse) på 2 m/s². Til sammenligning af vibrationsniveauer mellem batteri- og benzindrevne produkter skal du anvende vibrationsberegneren. <https://www.husqvarna.com/uk/services-solutions/vibration-calculator/>.

²² Støjområdet angiver laveste til højeste målte værdi.

Batteri	BLi200	40-B220X
Nominal spænding, V	36	36
Vægt, kg	1,3	1,4

Godkendte batteriopladere

Batterioplader	QC330	40-C500X
Indgangsspænding, V	100-240	100-240
Frekvens, Hz	50-60	50-60
Effekt, watt	330	500

Tilbehør

Tilbehør

Godkendt tilbehør	Tilbehørsnummer²³	Tilbehørsgruppe²⁴	Anvendes til
Buskryddertilbehør BCA850	1	1-10	325iLK
Blæsertilbehør BA101	11	11-20	325iLK
Kantskærertilbehør ECA850	21	21-30	325iLK
Kantskærertilbehør ESA850	22	21-30	325iLK
Hækkeklipperudstyr HA860	32	31-40	325iLK
Stangsavtilbehør PAX730	41	41-50	325iLK
Stangsavtilbehør PAX1100	42	41-50	325iLK
Savtilbehør PA1100	43	41-50	325iLK
Børstetilbehør SR600-2	51	51-60	325iLK
Børsteudstyr BR600	52	51-60	325iLK
Vertikalskærerudstyr DT600	53	51-60	325iLK
Kultivatortilbehør CA230	54	51-60	325iLK
Kantskærertilbehør RA850	2	1-10	525iLK

²³ Dette er et bestemt nummer på godkendt tilbehør i en tilbehørsgruppe.

²⁴ Det godkendte tilbehør er opdelt i tilbehørsgrupper. Hver tilbehørsgruppe har samme funktioner og mærkater.

Overensstemmelseserklæring

EU-overensstemmelseserklæring

Vi, **Husqvarna AB**, SE-561 82 Huskvarna, Sverige,
tlf.: +46-36-146500 erklærer under eneansvar, at det
pågældende produkt:

Beskrivelse	Batteridrevet strømforsyning (græstrimmer)
Varemærke	Husqvarna
Type / model	325iLK (uisoleret enhed)
Identifikation	Serienumrene fra 2024 og fremefter

overholder følgende EU-direktiver og bestemmelser:

Direktiv/bestemmelser	Beskrivelse
2006/42/EF	"vedrørende maskiner"
2014/30/EMC	"vedrørende elektromagnetisk kompatibilitet"
2011/65/EU	"vedrørende begrænsning af farlige stoffer"
2000/14/EF	"vedrørende udendørs støj"

og at følgende standarder og/eller tekniske
specifikationer anvendes: EN ISO 12100:2010,
EN 62841-1:2015+AC:2015+A11:2022, EN
62841-4-2:2019+A11:2022+A1:2022, IEC 62841-4-4:
2020+A1:2024, IEC 62841-4-6:2022, ISO 11449:1994,
EN ISO 11680-1:2021, EN 61000-6-3:2007+A1:2011,
EN 61000-6-1:2016, EN IEC 63000:2018.



SMP Svensk Maskinprovning AB., Box 4053, SE-904 03
Umeå, Sweden har foretaget en frivillig typeafprøvning
i henhold til bilag IX til 2006/42/EF. Certifikatnr.:
SEC/24/2593.

Udpeget organ: SMP Svensk Maskinprovning AB, har
også bekræftet overensstemmelse med bilag V til
Rådets direktiv 2000/14/EF. Certifikatnr.: 01/1610/013.

Se *Tekniske data på side 42* vedr. oplysninger om
støjemission.

Huskvarna, 2024-02-01

Hr. Stefan Holmberg, R&D Director, Technology
Management, Husqvarna AB, Sverige

Ansvarlig for teknisk dokumentation

Sisällys

Johdanto.....	45	Vianmääritys.....	53
Turvallisuus.....	46	Kuljettaminen, säilyttäminen ja hävittäminen.....	54
Asentaminen.....	51	Tekniset tiedot.....	54
Käyttö.....	51	Lisävarusteet.....	56
Huolto.....	52	Vaatimustenmukaisuusvakuutus.....	57

Johdanto

Käyttötarkoitus

Tämä käyttöagregaatti toimii vain hyväksytyjen lisävarusteiden kanssa. Katso hyväksytyt lisävarusteet

Tuotteen kuvaus

(Kuva 1)

1. Käyttöohje
2. Kuusiokoloavain, 4 mm
3. Kaarikahva
4. Nuppi
5. Virtapainike
6. Nopeustilapainike
7. Käyttöliipaisimen varmistin
8. Käyttöliittymä
9. Käyttöliipaisin
10. Akkulaturi (lisävaruste)
11. Laturin latauksen ja virheen merkivalo
12. Akun vapautuspainikkeet
13. Akku (lisävaruste)
14. Varaustilan LED-merkivalo
15. Varoitusmerkivalo
16. Akun varaustilan painike
17. Lisälaitteen liitoskappale

Huomautus: Eri mallien akku ja laturi saattavat näyttää erilaisilta.

Tuotteen symbolit

(Kuva 2) **VAROITUS:** Laitte voi olla vaarallinen! Huolimaton tai virheellinen käyttö saattaa aiheuttaa käyttäjälle tai sivullisille vakavia vammoja tai kuoleman. On erittäin tärkeää, että luet ja ymmärrät tämän käyttöohjeen sisällön. Lue käyttöohje huolellisesti ja varmista, että ymmärrät sen sisällön, ennen kuin alat käyttää laitetta.

(Kuva 3) Irrota akku ennen huoltotoimenpiteitä.

(Kuva 4) Nimellisjännite, V

kohdasta *Lisävarusteet sivulla 56*. Lue tämä käyttöohjekirja sekä hyväksytyjen lisävarusteiden käyttöohjekirja.

(Kuva 5) Tasavirta.

(Kuva 6) Laitte täyttää voimassa olevien EY-direktiivien vaatimukset.

(Kuva 7) Tuotteessa tai sen pakkauksessa olevat symbolit osoittavat, ettei tuotetta saa hävittää kotitalousjätteen mukana. Tuote on vietävä kierrätykseen asianmukaiseen kierrätyskeskukseen.

(Kuva 8) Tuote on suojattu roiskuvulta vedeltä.

yyyywwxxxx

Tyyppikilvessä näkyvä sarjanumero, jossa **yyyy** on valmistusvuosi, **ww** on valmistusviikko ja **xxxx** on sarjanumero.

Huomautus: Muita tuotteen symboleita/tarroja tarvitaan muilla markkina-alueilla ilmaisemaan sertifiointivaatimuksia.

Valmistaja

Husqvarna AB

Drottninggatan 2, SE-561 82 Huskvarna, Sweden, tel: +46-36-146500

Tuotteen vaurioituminen

Emme ole vastuussa tuotteen vaurioitumisesta, jos:

- tuote on korjattu virheellisesti
- tuotteen korjaamiseen on käytetty muita kuin valmistajan omia tai sen hyväksymiä osia
- tuotteessa on muu kuin valmistajan oma tai sen hyväksymä lisävaruste
- tuotetta ei ole korjattu valtuutetussa huoltopisteessä tai hyväksytyllä asiantuntijalla.

Tuki

Jos tarvitset tuotteeseen liittyvää tukea, siirry Tuki-osioon osoitteeseen , mistä löydät käyttöohjeet ja

vianmääritysoppaat, tai voit käyttää Husqvarna Self Service -portaalia ja Tuoteassistenttia (jos ne ovat saatavilla markkinoillasi). Voit kysyä Husqvarna-tuotteen huoltopalveluista huoltoliikkeestä.

Turvallisuus

Turvallisuusmääritelmät

Varoituksia, huomioita ja huomautuksia käytetään, kun jotakin käyttöohjeen osaa halutaan erityisesti korostaa.



VAROITUS: Tätä käytetään, jos käyttöohjeen noudattamatta jättämisestä voi seurata käyttäjän tai sivullisen vamma tai kuolema.



HUOMAUTUS: Tätä käytetään, jos käyttöohjeen noudattamatta jättämisestä voi seurata koneen, muiden materiaalien tai ympäristön vaurioituminen.

Huomautus: Tätä käytetään tietyissä tilanteissa tarvittavien lisätietojen antamiseen.

Yleiset sähkötyökaluja koskevat varoitukset



VAROITUS: Lue hyväksytyjen lisävarusteiden käyttöohjekirja sekä tämän käyttöagregaatin käyttöohjekirja.



VAROITUS: Lue kaikki tämän sähkötyökalun mukana tulevat turvavaroitukset, ohjeet, kuvat ja tekniset tiedot. Alla olevien ohjeiden noudattamatta jättäminen voi johtaa sähköiskun, tulipaloon ja/tai vakavaan tapaturmaan.

Huomautus: Säästä kaikki varoitukset ja ohjeet tulevaa käyttöä varten. Varoituksissa termillä "sähkötyökalu" tarkoitetaan verkkosähköllä toimivaa (johdollista) sähkötyökalua tai akkukäyttöistä (johdotonta) sähkötyökalua.

Työalueen turvallisuus

- Pidä työalue siistinä ja hyvin valaistuna. Sotkuiset tai hämärät alueet altistavat onnettomuuksille.
- Älä käytä koneita räjähdysriskissä ympäristöissä, kuten herkästi syttyvien nesteiden, kaasujen tai pölyn läheisyydessä. Koneet luovat kipinöitä, jotka voivat sytyttää pölyn tai höyryt.
- Pidä lapset ja sivulliset kaukana konetta käytettäessä. Häiriöt voivat saada sinut menettämään koneen hallinnan.

Sähköturvallisuus

- **Koneen liitinpistokkeen on sovittava pistorasiaan. Älä koskaan muuta pistoketta millään tavoin. Älä käytä mitään pistokesovittimia maadoitettujen koneiden kanssa.** Alkuperäiset pistokkeet ja sopivat pistorasiat vähentävät sähköiskun vaaraa.
- **Varo koskettamasta maadoitettuja pintoja, kuten putkia, pattereita, liesiä ja jääkaappeja.** Sähköiskun riski kasvaa, jos käyttäjän kehoon kohdistuu maadoitus.
- **Suojaa koneet sateelta ja kosteudelta.** Veden pääseminen koneeseen lisää sähköiskun vaaraa.
- **Älä vahingoita johtoa. Älä koskaan käytä johtoa koneen kantamiseen, vetämiseen tai irrottamiseen pistorasiasta. Pidä johto etäällä lämmönlähteistä, öljystä, terävistä reunoista ja liikkuvista osista.** Vahingoittuneet tai sotkeutuneet johdot lisäävät sähköiskun vaaraa.
- **Jos käytät konetta ulkona, käytä vain ulkikäyttöön sopivia jatkojohtoja.** Ulkikäyttöön sopivan johdon käyttäminen vähentää sähköiskun vaaraa.
- **Mikäli koneen käyttämistä kosteassa ei voida välttää, on käytettävä virtalähdettä, jossa on vikavirtasuojajakytkin (RCD).** Vikavirtasuojajakytkimen käyttö vähentää sähköiskun vaaraa.

Henkilökohtainen turvallisuus

- **Pysy valppaana, katso mitä teet ja käytä tervettä järkeä konetta käyttäessäsi. Älä käytä konetta väsyneenä tai huumeiden, alkoholin tai lääkeaineiden vaikutuksen alaisena.** Hetken epähuomioi koneita käytettäessä voi johtaa vakavaan henkilövahinkoon.
- **Käytä henkilökohtaisia suojavarusteita. Käytä aina suojalaseja.** Hengityssuojain, luistamattomat turvakengät, kypärä, kuulonsuojaimet ja muut suojavarusteet niitä vaativissa oloissa käytettyinä vähentävät henkilövahinkoja.
- **Estä tahaton käynnistys. Varmista, että katkaisin on off-asennossa ennen virtalähteen ja/tai akun kytkemistä, koneeseen tarttumista tai sen kantamista.** Koneiden kantaminen sormi kytkimellä tai virran kytkeminen koneeseen, kun kytkin on käyttöasennossa, altistaa onnettomuuksille.
- **Irota mahdolliset säätöavaimet ennen virran kytkemistä koneeseen.** Koneen pyöriivään osaan kiinnitetty avain voi aiheuttaa henkilövahingon.
- **Älä kurota. Säilytä aina tukeva asento ja tasapaino.** Tämä mahdollistaa koneen paremman hallinnan odottamattomissa tilanteissa.
- **Pukeudu oikein. Älä käytä löysästi istuvia vaatteita tai koruja. Pidä hiukset ja vaatteet etäällä liikkuvista**

osista. Löysät vaatteet, korut tai pitkät hiukset voivat tarttua liikkuviin osiin.

- **Jos käytettävissä on kytkentämahdollisuus pölynerottimelle, varmista, että se kytketään ja että sitä käytetään oikein.** Pölynpoiston käyttö voi vähentää pölyyn liittyviä riskejä.
- **Vaikka olisit käyttänyt koneita usein ja tuntisit ne hyvin, muista aina ottaa huomioon koneen turvamääräykset.** Huolimaton toiminta voi johtaa sekunnin murto-osissa vakaviin loukkaantumisiin.

Koneen käyttö ja huolto

- **Älä pakota konetta. Käytä käyttötarkoitukseen sopivaa konetta.** Oikea kone tekee työn paremmin ja turvallisemmin nopeudella, jota varten se on suunniteltu.
- **Älä käytä konetta, jos virtaa ei voi kytkeä ja katkaista virtakytkimellä.** Mikä tahansa kone, jota ei voi hallita virtakytkimellä, on vaarallinen, ja se pitää korjata.
- **Irrota pistoke pistorasiasta ja/tai akku koneesta, mikäli mahdollista, ennen kuin teet mitään säätöjä, vaihdat lisävarusteita tai varastoit koneita.** Nämä varotoimenpiteet estävät koneen käynnistymisen vahingossa.
- **Varastoi käyttämättömät koneet pois lasten ulottuvilta äläkä anna henkilöiden, jotka eivät tunne konetta tai näitä ohjeita, käyttää konetta.** Koneet ovat vaarallisia taitamattomien käyttäjien käsissä.
- **Pidä koneet ja lisävarusteet hyvässä kunnossa.** Tarkista, että liikkuvat osat eivät ole pois paikoiltaan tai juuttuneet ja että mikään osa ei ole murtunut. Tarkista myös kaikki muut tekijät, jotka voivat vaikuttaa koneen toimintaan. Jos kone on vahingoittunut, korjautta se ennen käyttöä. Monet onnettomuudet johtuvat huonosti huolletusta koneesta.
- **Pidä leikkaustyökalut terävinä ja puhtaina.** Oikein huolletut leikkuukoneet, joiden leikkuureunat ovat terävät, eivät juutu kiinni niin helposti ja ovat helpommin hallittavissa.
- **Käytä konetta, lisävarusteita, teriä jne. näiden ohjeiden mukaisesti ottaen huomioon työskentelyolosuhteet ja suoritettavan työn laadun.** Koneen käyttäminen ennakoituista poikkeavissa olosuhteissa voi johtaa vaaratilanteeseen.
- **Pidä kahvat ja tarttumapinnat kuivina, puhtaina ja öljyttöminä sekä puhtaana vaseliinista.** Jos koneen kahvat tai tarttumapinnat ovat liukkaat, koneen käsittely ja hallinta ei ole turvallista odottamattomissa tilanteissa.

Akkukäyttöisten koneiden käyttö ja huolto

- **Lataa akku ainoastaan valmistajan tarkoitukseen nimeämällä laturilla.** Tietynlaiseen akustoon soveltuva laturi voi aiheuttaa tulipalon vaaran, jos sitä käytetään toisenlaisen akuston lataamiseen.
- **Käytä koneissa ainoastaan niille tarkoitettuja akkuja.** Muunlaisten akkujen käyttö voi aiheuttaa tapaturmien tai tulipalon vaaran.

- **Kun akkua ei käytetä, pidä se etäällä metalliesineistä, kuten paperiliittimistä, kolikoista, avaimista, nauloista, ruuveista tai muista pienistä metalliesineistä, jotka saattavat aiheuttaa kosketuksen liittinten välillä.** Akkuliittinten saattaminen keskenään oikosulkuun voi aiheuttaa palovammoja tai tulipalon.
- **Akkusta voi tihkua nestettä väärissä olosuhteissa. Vältä kosketusta akkunesteeseen. Jos akkunestettä joutuu iholle, huuhtele ihoalue vedellä. Jos neste joutuu kosketuksiin silmien kanssa, ota myös yhteys lääkäriin.** Akkuneste voi aiheuttaa ihoärsytystä tai palovammoja.
- **Älä käytä vaurioitunutta tai muutettua akkua tai konetta.** Jos tuotteeseen käytetään vaurioituneita tai muutettuja akkuja, tuote ei välttämättä toimi asianmukaisesti. Seurauksena saattaa olla tulipalo, räjähdys tai tapaturma.
- **Älä altista akkua tai konetta tullelle tai korkeille lämpötiloille.** Koneen altistuminen tullelle tai yli 130 °C:n lämpötilalle voi aiheuttaa räjähdyksen.
- **Noudata kaikkia latausohjeita äläkä lataa akkua tai konetta ohjeissa määritetyn lämpötila-alueen ulkopuolella.** Akun lataaminen väärin tai sallituista lämpötiloista poikkeavissa olosuhteissa voi vahingoittaa akkua ja lisätä tulipaloriskiä.

Huolto

- **Anna koneen korjaamisen pätevän korjaajan tehtäväksi. Koneessa saa käyttää vain täysin samanlaisia varaosia.** Näin taataan, että koneen käyttöturvallisuus säilyy ennallaan.
- **Älä koskaan huolla vahingoittuneita akkuja.** Akkuja saavat huoltaa vain valmistaja ja valtuutetut palveluntarjoajat.

Muita yleisiä turvaohjeita

- Sammuta laite, kun siirryt alueelta toiselle. Irrota akku aina ennen kuin luovutat tuotteen toisen käyttäjän käyttöön.
- Älä koskaan laske laitetta maahan, ellet ole pysäyttänyt sitä ja poistanut akkua. Valvo laitetta aina, kun se on käynnissä.
- Leikkuulaite ei pysähdy välittömästi tuotteen sammuttamisen jälkeen.
- Tarkista laite kulumisen ja vaurioiden varalta aina ennen käyttöä ja minkä tahansa laitteeseen kohdistuneen iskun jälkeen. Korjaa vialt tarvittaessa.
- Jos terälaitteeseen tarttuu jotain käytön aikana, pysäytä ja sammuta laite. Varmista, että terälaitte pysähtyy kokonaan. Poista akku ennen kuin puhdistat, tarkistat tai korjaat tuotetta ja/tai terälaitetta.
- Tarkista tuote ennen käyttöä. Katso kohdat *Tuotteen turvalaitteet sivulla 49* ja *Huolto sivulla 52*. Älä käytä vaurioitunutta tuotetta. Noudata tässä käyttöohjeessa annettuja turvallisuustarkastuksia, kunnossapitoa ja huoltoa koskevia ohjeita.
- Viallinen terälaitte voi lisätä onnettomuuksien vaaraa.

- Tarkista vaihde lian ja murtumien varalta. Poista ruoho ja lehdet vaihteesta harjalla. Käytä käsineitä aina tarvittaessa.
- Varmista aina, että ilmanottoaukot ovat puhtaat, eikä niissä ole likaa.
- Varmista, että siimapää on kiinnitetty trimmeriin asianmukaisesti.
- Kaikki kannet, suojukset ja kahvat on kiinnitettävä ennen käynnistystä.
- Tarkista, että laite on moitteettomassa kunnossa. Tarkista, että kaikki mutterit ja ruuvit on kiristetty.
- Tarkista, että siimapää ja trimmerin suojus ovat ehjiä eikä niissä ole halkeamia. Vaihda siimapää tai trimmerin suojus, jos siihen on kohdistunut iskuja tai siinä on halkeamia. Käytä aina kyseiselle leikkausteräille suositeltua suojusta. katso kohta *Tekniset tiedot sivulla 54*.
- Tämä tuote on vaarallinen työkalu, jos sitä käytetään huolimattomasti tai väärin. Tuote voi aiheuttaa käyttäjälle tai sivullisille vakavia vammoja tai kuoleman.
- Tuotetta eivät saa käyttää henkilöt (lapset mukaan lukien), joiden fyysinen, aistinvarainen tai henkinen toimintakyky on alentunut. Tuotetta eivät myöskään saa käyttää henkilöt, joilla ei ole riittävää kokemusta tai taitoja laitteen käyttöön, elleivät he ole saaneet ohjausta tai ohjeita heidän turvallisuudestaan vastaavalta henkilöltä. Lapsia on valvottava, jotta voidaan varmistaa, etteivät he leiki laitteella.
- Älä anna koskaan lasten käyttää tuotetta tai oskella sen läheisyydessä. Koska tuote on helppo käynnistää, myös lapset saattavat pystyä käynnistämään sen, ellei heitä valvota. Tämä voi johtaa vakaviin henkilövahinkoihin. Irrota sen vuoksi akku aina, kun laite on ilman valvontaa.
- Älä koskaan anna lasten tai henkilöiden, joille ei ole annettu tuotteen ja/tai akun käyttökoulutusta, käyttää tai korjata sitä.
- Säilytä laite lukitussa tilassa niin, että se on lasten ja asiaankuulumattomien henkilöiden ulottumattomissa.
- Kuljetussuojasta on aina käytettävä säilytyksen tai kuljetuksen aikana.
- Pidä jalat ja kädet aina poissa leikkuualueelta, erityisesti silloin, kun käynnistät moottorin.
- Kun laite on sammutettu, pidä kädet ja jalat etäällä terälaitteesta, kunnes se on pysähtynyt täysin.
- Älä poista tai anna muiden poistaa leikkuujätettä, kun tuote käy tai terälaite pyörii, sillä seurauksena voi olla vakavia vammoja.
- Muista, että käyttäjänä olet vastuussa siitä, ettet altista ihmisiä tai heidän omaisuuttaan vahingoille tai vaaroille.
- Tuotteen rakennetta ei missään tapauksessa saa muuttaa ilman valmistajan lupaa. Käytä aina alkuperäisiä lisävarusteita. Hyväksymättömien muutosten ja/tai lisävarusteiden käyttö voi aiheuttaa käyttäjälle tai muille vakavia vammoja tai kuoleman. Takuu ei välttämättä kata hyväksymättömien lisävarusteiden tai varaosien käytöstä aiheutuneita vaurioita tai vastuuta.
- Ainoat lisävarusteet, joita tämän tuotteen kanssa saa käyttää, ovat luvussa Lisävarusteet suosittelamme terälaitteet. katso kohta *Lisävarusteet sivulla 56*.
- Älä koskaan käytä tuotetta, jota on muutettu niin, ettei sen rakenne enää ole alkuperäinen.
- Älä koskaan käytä viallista laitetta. Noudata tässä käyttöohjeessa annettuja turvallisuustarkastuksia, kunnossapitoa ja huoltoa koskevia ohjeita. Tiety kunnossapito- ja huoltotyöt on annettava koulutettujen ja pätevien asiantuntijoiden tehtäviksi. Katso ohjeet kohdasta Huolto.
- Huonossa säässä työskentely on väsyttävää, ja siihen liittyy usein riskitekijöitä. Riskitekijöiden takia laitetta ei ole suositeltavaa käyttää huonoissa sääolosuhteissa, kuten erittäin sumuisella, sateisella tai kylmällä säällä, kovalla tuulella tai silloin, kun salamointi on mahdollista.
- Älä koskaan työskentele tikkailta tai muulta huonosti kiinnitetyltä korkealta paikalta.
- Säilytä käyttämättömiä laitteita sisätiloissa – laitteita on säilytettävä sisätiloissa, kun ne eivät ole käytössä.
- On mahdotonta kuvata kaikkia mahdollisia tilanteita, joita laitteen käytössä voi ilmetä. Ole aina varovainen ja käytä tervettä järkeä. Vältä tilanteita, mihin et katso taitosi riittävän. Mikäli olet vielä näiden ohjeiden lukemisen jälkeen epävarma menettelytavoista, kysy neuvoa asiantuntijalta ennen jatkamista.
- Huolehdi siitä, että ihmiset ja eläimet ovat työn aikana vähintään 50 jalan (15 metrin) päässä laitteesta. Kun useampia käyttäjiä työskentelee samalla työalueella, on turvavälin oltava vähintään 50 jalkaa (15 metriä). Muuten vaarana ovat vakavat henkilövahingot. Sammuta laite välittömästi, jos joku tulee lähemmäs. Älä käänny laitteen kanssa ympäri tarkistamatta ensin, että turva-alueella ei ole ketään.
- Varmista, etteivät ihmiset, eläimet tai muut tekijät pääse vaikuttamaan laitteen hallintaan tai joutu kosketuksiin terälaitteen tai terälaitteesta sinkoutuvien irtonaisten esineiden kanssa. Älä kuitenkaan käytä laitetta, ellei sinulla ole mahdollisuutta kutsua apua onnettomuustapauksessa.
- Varmista, että voit siirtyä ja seisoa turvallisesti. Tarkista, onko ympäristössä esteitä (juuria, kiviä, oksia, kuoppia, oja tai vastaavia), joista voi olla haittaa siirtyessäsi nopeasti. Ole erittäin varovainen työskennellessäsi viettävässä maastossa.
- Liiku kävelyvauhtia, älä juosten.
- Tarkista työskentelyalue. Poista kaikki irralliset esineet, kuten kivet, lasinsirpaleet, naulat, rautalangat, narut ja vastaavat, jotka voivat sinkoutua liikkeelle tai kietoutua leikkaimeen tai leikkuusuojukseen.

- Varo oksanpätkiä, joita voi sinkoutua ilmaan leikkuun aikana. Älä leikkaa liian lähellä maanpintaa, sillä ilmaan voi sinkoutua kiviä ja muuta irtotavaraa.
- Varmista, etteivät vaatteet tai ruumiinosat pääse koskemaan terälaitteeseen laitteen ollessa käynnissä. Pidä laite vyötärön alapuolella.
- Varo sinkoutuvia esineitä. Silmät on aina suojattava tarkoitukseseen hyväksytyillä silmäsuojaimilla. Älä koskaan nojaa terälaitteen suojuksen yli. Kivet, roskat ja vastaavat saattavat sinkoutua silmiin ja aiheuttaa sokeutumisen tai muita vakavia vammoja.
- Tarkkaile aina varoitussignaaleja ja -huutoja kuulonsuojaimia käyttäessäsi. Riisu kuulonsuojaimet välittömästi laitteen pysäytyksen jälkeen.
- Jos laite tärisee, napauta siimapäätä, jolloin siima säätyy oikeaan mittaansa ja tärinä loppuu.
- Jos tuote alkaa tärinästä epätavallisella tavalla, pysäytä tuote ja irrota akku.
- Liiallinen altistuminen tärinöille saattaa aiheuttaa verisuoni- tai hermovaurioita verenkiertohäiriöistä kärsiville henkilöille. Käänny lääkärin puoleen, jos havaitset oireita, jotka voivat liittyä liialliseen tärinäaltistukseen. Esimerkkejä tällaisista oireista ovat puutuminen, tunnottomuus, kutina, pistely, kipu, voimattomuus tai heikkous sekä ihon värin tai pinnan muutokset. Oireita esiintyy tavallisesti sormissa, käsissä tai ranteissa.
- Pitele laitetta aina molemmin käsin. Pitele laitetta kehon oikealla puolella.

Henkilökohtainen suojavarustus



VAROITUS: Lue seuraavat varoitushjeet ennen laitteen käyttämistä.

- Käytä aina hyväksytyjä henkilökohtaisia suojavarusteita, kun käytät laitetta. Henkilökohtaiset suojavarusteet eivät poista tapaturmien vaaraa, mutta ne lieventävät vammoja onnettomuusilanteessa. Anna jälleennympjän auttaa oikeiden varusteiden valinnassa.
- Käytä suojakypärää paikoissa, joissa putoilevat esineet aiheuttavat vaaraa.
- Käytä riittävän tehokkaasti vaimentavia hyväksytyjä kuulonsuojaimia. Pitkäaikainen altistuminen melulle saattaa aiheuttaa pysyviä kuulovammoja.
- Käytä hyväksytyjä silmäsuojaimia. Visiiriä käytettäessä on käytettävä myös hyväksytyjä suojalaseja. Hyväksytyillä suojalaseilla tarkoitetaan laseja, jotka täyttävät standardin ANSI Z87.1 (Yhdysvallat) tai EN 166 (EU-maat) vaatimukset.
- Käytä kasvojen suojaamiseen visiiriä. Visiiri ei tarjoa riittävää suojaa silmille.

(Kuva 9)

- Käytä käsineitä tarvittaessa esimerkiksi terävarustuksen asennuksen, tarkastuksen ja puhdistuksen aikana.
- Käytä luistamattomia ja tukevia jalkineita.

- Käytä lujasta materiaalista valmistettuja vaatteita. Käytä aina vahvakankaisia pitkiä housuja ja pitkähihaista takkia. Vältä liian löysiä vaatteita, jotka tarttuvat helposti risuihin ja oksiin. Älä pidä koruja, shortseja tai sandaaleja. Älä myöskään kulje paljain jaloin. Sido hiukset turvallisesti olkapäiden yläpuolelle.

(Kuva 10)

- Pidä ensiaputarvikkeet helposti saatavilla.

(Kuva 11)

Tuotteen turvalaitteet



VAROITUS: Lue seuraavat varoitukset ennen tuotteen käyttöä.

Tässä osassa kerrotaan laitteen turvaominaisuuksista ja niiden toiminnasta sekä annetaan tarkastus- ja kunnossapito-ohjeet, joilla varmistetaan laitteen toimivuus. Lue kohdasta *Johdanto sivulla 45* tiedot siitä, missä osat sijaitsevat laitteessa.

Laitteen käyttöä voi lyhentyä ja onnettomuusvaara kasvaa, jos laitteen kunnossapitoa ei suoriteta oikein ja jos huoltoja ja/tai korjauksia ei tehdä ammattitaitoisesti. Saat lisätietoja lähimmästä huoltoliikkeestä.



VAROITUS: Älä koskaan käytä tuotetta, jos sen turvalaitteet ovat vaurioituneet. Laitteen turvalaitteet on tarkastettava ja pidettävä kunnossa tässä osassa esitetyllä tavalla. Jos laitteessasi ilmenee tarkastettaessa puutteita, se on toimitettava huoltoliikkeeseen korjattavaksi.



HUOMAUTUS: Kaikki laitteen huolto- ja korjaustyöt vaativat erikoiskoulutusta. Tämä koskee erityisesti laitteen turvaruustusta. Jos laitteessa havaitaan puutteita alla luetelluissa tarkastuksissa, on sinun otettava yhteys huoltoliikkeeseen. Hankkimalla laitteen meiltä varmistat, että saat sille ammattimaisen korjauksen ja huollon. Jos ostat laitteen muusta kuin huollot suorittavasta ammattiliikkeestä, pyydä myyjää neuvomaan lähin huoltoliike.

Käyttöliittymän tarkistaminen

1. Paina virtapainiketta (A) pitkään. (Kuva 12)
 - a) Tuote on käynnissä, kun näyttö (B) on käynnissä.
 - b) Tuote ei ole käynnissä, kun näyttö ei ole käytössä.
2. Jos näytön varoitusmerkkivalo syttyy tai vilkkuu, katso osio *Näppäimistö sivulla 53*.

Käyttöliipaisimen varmistimen tarkistaminen

Käyttöliipaisimen varmistin on suunniteltu estämään laitteen tahaton käyttö. Kun painat käyttöliipaisimen varmistinta eteenpäin (A) ja sitten käyttöliipaisimen varmistinta päin kahvaa (B), käyttöliipaisin (C) vapautuu. Kun ote kahvasta irrotetaan, palautuvat sekä käyttöliipaisin että varmistin lähtöasentoonsa. Liikettä ohjaavat kolme riippumatonta joustia. (Kuva 13)

1. Varmista, että käyttöliipaisin on lukittu, kun varmistin on alkuasennossa. (Kuva 14)
2. Paina käyttöliipaisimen varmistinta eteenpäin (A) ja alas. Pidä käyttöliipaisimen varmistinta kahvaa (B) vasten ja varmista, että se palautuu lähtöasentoonsa, kun se vapautetaan. (Kuva 15)
3. Tarkista, että käyttöliipaisin ja sen varmistin liikkuvat vapaasti ja palautusjouset toimivat oikein. (Kuva 16)
4. Kytke tuotteeseen virta painamalla virtapainiketta pitkään.
5. Käytä täyttä nopeutta painamalla käyttöliipaisin pohjaan.
6. Vapauta käyttöliipaisin ja varmista, että terälaite pysähtyy ja jää paikalleen.

Turvallisuusohjeet kokoamista varten



VAROITUS: Lue tämän tehoyksikön käyttöohjekirja sekä hyväksytyjen lisävarusteiden käyttöohjekirja.

- Irrota akku tuotteesta ennen tuotteen kokoamista.
- Käytä hyväksytyjä suojakäsineitä.
- Vaurioitunut tai väärä suojus voi aiheuttaa vammoja. Älä käytä terälaitetta, johon ei ole kiinnitetty hyväksytyä suojusta.
- Varmista, että olet asentanut kotelon ja vetovarren oikein ennen tuotteen käynnistämistä.
- Jos lisälaitteen mukana toimitetaan valjaat, ne on kiinnitettävä tuotteeseen oikein. Valjaat tekevät käytöstä turvallista ja estävät käyttäjän ja muiden henkilöiden loukkaantumisen.

Akkuturvallisuus



VAROITUS: Lue seuraavat varoitukset ennen tuotteen käyttöä.

- Käytä vain Husqvarna-hyväksytyjä akkuja. katso kohta *Hyväksytyt akut sivulla 55*. Akkujen ohjelmisto on suojattu.
- Käytä Husqvarna-akkuja vain liittyvien Husqvarna-laitteiden virtalähteenä. Tapaturmien välttämiseksi akkuja ei saa käyttää muiden laitteiden virtalähteenä.
- Sähköiskun vaara. Älä koske akun napoihin avaimella, kolikolla, ruuvilla tai muilla metalliesineillä. Tämä voi aiheuttaa akun oikosulun.

- Älä käytä akkuja, joita ei voi ladata.
- Älä aseta esineitä akun ilma-aukkoihin.
- Pidä akku suojaossa auringonvalolta, kuumuudelta ja avotulelta. Akku voi aiheuttaa palo- ja/tai syöpymisvammoja.
- Suojaa akku sateelta ja kosteilta olosuhteilta.
- Älä altista akku mikroaalloille ja korkealle paineelle.
- Älä yritä purkaa tai rikkoa akkuja.
- Jos akku vuotaa, älä anna nesteen joutua kosketuksiin kehon tai silmien kanssa. Jos nestettä joutuu iholle, puhdista iho heti runsaalla vedellä ja saippualla ja hakeudu lääkäriin. Jos nestettä joutuu silmiin, älä hankaa silmiä vaan huuhtelee niitä vedellä ainakin 15 minuuttia ja hakeudu lääkäriin.
- Käytä akku lämpötilan ollessa välillä -10 °C (14 °F) – 40 °C (114 °F).
- Älä pese akkuja tai akkulaturia vedellä. katso kohta *Laitteen, akun ja akkulaturin puhdistaminen sivulla 53*.
- Älä käytä akkuja, joka on vahingoittunut tai joka ei toimi asianmukaisesti.
- Säilytä akkuja varastossa kaukana metalliesineistä kuten nauloista, ruuveista ja koruista.
- Pidä akku poissa lasten ulottuvilta.

Akkulaturin turvallisuus



VAROITUS: Lue seuraavat varoitukset ennen tuotteen käyttöä.

- On olemassa sähköiskun tai oikosulun vaara, jos turvaohjeita ei noudateta.
- Käytä vain akun mukana toimitettua akkulaturia. Käytä vain hyväksytyjä Husqvarna-akkulatureita hyväksytyjen Husqvarna-akkujen lataamiseen. Katso ohjeet kohdasta *Tekniset tiedot sivulla 54*.
- Älä yritä purkaa akkulaturia.
- Älä käytä akkulaturia, joka on vahingoittunut tai joka ei toimi asianmukaisesti.
- Älä nosta akkulaturia virtajohdosta. Irrota akkulaturi pistorasiasta vetämällä pistoke ulos. Älä vedä virtajohdosta.
- Pidä kaikki kaapelit ja jatkojohdot poissa veden, öljyn ja terävien reunojen ulottuvilta. Varmista, ettei kaapeli jää ovien, aitojen tai muiden vastaavien esineiden väliin.
- Älä käytä akkulaturia herkästi syttyvien materiaalien tai syöpymistä aiheuttavien materiaalien lähellä. Varmista, että akkulaturia ei ole peitetty. Jos havaitset savua tai tulta, irrota akkulaturin pistoke pistorasiasta.
- Lataa akku vain sisätiloissa poissa auringonvalosta ja paikassa, jossa on hyvä ilmanvaihto. Älä lataa akkuja ulkona. Älä lataa akkuja märissä olosuhteissa.
- Käytä akkulaturia vain lämpötilan ollessa välillä 5 °C (41 °F) – 40 °C (104 °F). Käytä laturia

kuivassa ja pölyttömässä ympäristössä, jossa on hyvä ilmanvaihto.

- Älä aseta esineitä akkulatorin jäähdytysaukkoihin.
- Älä liitä akkulatorin liittimiä metalliesineisiin, sillä tämä voi aiheuttaa akkulatorin oikosulun.
- Käytä hyväksytyjä ja ehjiä pistorasioita. Varmista, että akkulatorin johto ei ole vahingoittunut. Jos käytät jatkojohtoja, varmista, että ne eivät ole vahingoittuneet.

Turvaohjeet huoltoa varten



VAROITUS: Lue seuraavat varoitusohjeet ennen laitteen huoltamista.

- Irrota akku ennen laitteen huoltoa, muita tarkistuksia tai kokoamista.

- Käyttäjän on huolehdittava ainoastaan tässä käyttöohjekirjassa kuvatuista korjaus- ja huolto toimista. Anna huoltoliikkeen tehdä suuremmat korjaus- ja huoltotoimet.
- Älä pese akkua tai akkulatoria vedellä. Vahvat pesuaineet voivat vaurioittaa muovia.
- Laitteen huoltamatta jättäminen lyhentää sen käyttöikää ja lisää onnettomuusriskiä.
- Laitteen huolto- ja korjaustyöt, erityisesti laitteen turvalaitteille tehtävät työt, vaativat erityiskoulutusta. Jos kaikkia käyttöohjekirjassa lueteltuja tarkastuksia ei huollon jälkeen voida suorittaa hyväksytysti, vie laite huoltoliikkeeseen. Siellä laitteesi huolletaan ja korjataan ammattimaisesti.
- Käytä vain alkuperäisiä varaosia.
- Käytä aina työrukkasia, kun korjaat terälaitetta. Terät ovat erittäin teräviä ja voivat helposti aiheuttaa vahinkoja.

Asentaminen

Kaarikahvan asennus

1. Kiinnitä kaarikahva runkoputken nuolien väliin. Älä aseta kaarikahvaa tai ripustussilmukkaa tarran päälle. (Kuva 17)
2. Siirrä välike kaarikahvan uraan.
3. Kiinnitä mutteri, nuppi ja ruuvi, mutta älä kiristä.
4. Säädä laite mukavaan asentoon.
5. Kiristä pultti.

Kaksiosaisen runkoputken asennus

1. Avaa liitäntä kiertämällä nuppia. (Kuva 18)
2. Kohdista kieleke (A) liitäntään nuolen (B) kohdalle. (Kuva 19)
3. Laita runkoputki liitäntään niin, että se napsahtaa paikalleen. (Kuva 20)
4. Kiristä nuppi kokonaan. (Kuva 21)

Kaksiosaisen runkoputken purku

1. Avaa liitäntä kiertämällä nuppia vähintään kolme kierrosta. (Kuva 22)
2. Työnnä ja pidä painiketta (C) painettuna.
3. Pidä tiukasti kiinni runkoputken päästä, johon moottori on kiinnitetty.
4. Vedä lisälaite irti liitäntästä. (Kuva 23)

Asenna mahdollinen ripustussilmukka

1. Asenna ripustussilmukka takakahvan ja kaarikahvan nuolten väliin. (Kuva 24)

Huomautus: Älä aseta kaarikahvaa tarran päälle.

2. Säädä silmukka niin, että laite on tasapainossa ja sitä on helppo käyttää.

Käyttö

Johdanto



VAROITUS: Lue ja sisäistä turvallisuutta käsittelevä luku ennen laitteen käyttöä.

Husqvarna Connect

Husqvarna Connect on ilmainen mobiililaitesovellus. Husqvarna Connect -sovelluksella saat lisätoimintoja Husqvarna-laitteeseen.

- Enemmän tuotetietoja.
- Tietoja koneen osista ja huolto-ohjeita.

Husqvarna Connect -käytön aloittaminen

1. Lataa Husqvarna Connect -sovellus mobiililaitteeseesi.
2. Rekisteröi Husqvarna Connect -sovelluksessa.
3. Liitä ja rekisteröi laite Husqvarna Connect -sovelluksen ohjeiden mukaan.

Huomautus: Husqvarna Connect -sovellus ei ole ladattavissa kaikilla markkina-alueilla. Lisätietoja saat huoltoliikkeestä.

Akun kiinnittäminen laitteeseen



VAROITUS: Käytä laitteessa vain alkuperäisiä Husqvarna-akkuja.

1. Varmista, että akku on täysin ladattu.
2. Paina akku laitteen akun pidikkeeseen. Akku lukittuu paikalleen, kun kuulet napsahduksen. (Kuva 25)



HUOMAUTUS: Jos akku ei siirry pidikkeeseen helposti, sitä ei ole asennettu oikein pidikkeeseen. Se voi vaurioittaa laitetta.

3. Varmista, että akku on asennettu oikein

Akun lataaminen

Huomautus: Lataa akku, jos sitä käytetään ensimmäisen kerran. Uuden akun varaus on vain 30 %.

1. Varmista, että akku on kuiva.
2. Aseta akku akkulaturiin. (Kuva 26)

Huomautus: Eri mallien akku ja laturi voivat näyttää erilaisilta, mutta menettely on sama.

3. Varmista, että laturin vihreä latausvalo syttyy. Se kertoo, että akku on oikein kiinni akkulaturissa.
4. Kun akun kaikki LED-merkkivalot syttyvät, akku on ladattu täyteen. (Kuva 27)
5. Irrota akkulaturi pistorasiasta vetämällä pistokkeesta. Älä vedä kaapelista.
6. Irrota akku akkulaturista.

Huomautus: Katso lisätietoja akun ja akkulaturin käyttöohjeista.

Työasento

- Pidä laitteesta kiinni kummallakin kädellä.
- Pidä laitetta kehon oikealla puolella.
- Pidä leikkuulaitteisto vyötärön korkeudella.
- Pidä kaikki ruumiinosat etäällä kuumista pinnoista.
- Pidä kaikki ruumiinosat etäällä terälaitteesta.

Huolto

Johdanto



VAROITUS: Lue turvallisuutta käsittelevä luku niin, että ymmärrät sen sisällön, ennen minkäänlaisten huoltotöiden aloittamista.

Ennen tuotteen käyttöä

- Varmista työaluetta tutkimalla, että tunnet maaston laadun ja kaltevuuden ja mahdolliset esteet, kuten kivet, oksat ja ojat.
- Tarkista laite kokonaisuudessaan.
- Tee tässä ohjekirjassa kuvatut turvallisuustarkastukset ja huolto- ja ylläpitotoimenpiteet.
- Varmista, että kaikki kannet, suojukset, kahvat ja lisävarusteet on kiinnitetty oikein, eikä niissä ole vaurioita.

Tuotteen käynnistäminen

1. Paina virtapainiketta, kunnes vihreä merkkivalo syttyy. (Kuva 28)
2. Ohjaa tuotteen nopeutta käyttöliipaisimella.

Enimmäisnopeuden rajoittaminen tilapainikkeella

Tuotteessa on tilapainike. Käyttäjä voi rajoittaa enimmäisnopeutta tilapainikkeella. Tilapainikkeessa on kolme nopeustasoa. Hitaampi nopeus pidentää tuotteen toiminta-aikaa. Hitaampi nopeus pidentää tuotteen toiminta-aikaa. Hitaampi nopeus pidentää tuotteen toiminta-aikaa. Käytä nopeustasoa 1 tai 2, jos toiminta ei vaadi täyttä nopeutta tai tehoa. Jos käyttöolosuhteet vaativat täyttä nopeutta tai tehoa, käytä tasoa 3. Älä käytä korkeampaa tasoa kuin toiminta vaatii.

1. Määritä enimmäisnopeus tilapainikkeella. Valkoiset merkkivalot syttyvät sen merkiksi, että toiminto on käytössä. (Kuva 29)
2. Valitse seuraava nopeustaso painamalla tilapainiketta uudelleen.

Automaattinen pysäytystoiminto

Tuotteessa on automaattinen sammutustoiminto, joka sammuttaa tuotteen, jos sitä ei käytetä kolmeen minuuttiin.

Tuotteen pysäyttäminen

1. Vapauta käyttöliipaisin tai käyttöliipaisimen varmistin.
2. Paina virtapainiketta. (Kuva 30)
3. Paina akun vapautuspainiketta ja vedä akku ulos. (Kuva 31)

Huoltokaavio



VAROITUS: Irrota akku ennen huoltotoimia.

Alla on luettelo tuotteelle tehtävistä huoltotoimista. Huolto-ohjelmassa määritetyn huollon lisäksi Husqvarna-huoltoliikkeen on hyvä antaa huoltaa tuotetta

säännöllisesti. Voit kysyä tuotteen huoltoväleistä Husqvarna-huoltoliikkeestä.

Huolto	Päivittäin	Viikoittain	Kuukausittain
Puhdista laitteen ulko-osat kuivalla liinalla. Älä käytä vettä.	X		
Tarkista, että virtapainike toimii kunnolla ja että se on ehjä.	X		
Varmista, että käyttöliipaisin ja sen varmistin toimivat asianmukaisesti turvallisuuatta ajatellen.	X		
Varmista, että kaikki ohjaimet toimivat ja ovat ehjiä.	X		
Varmista, että kahvat ovat kuivat ja että niissä ei ole öljyä tai vaseliinia.	X		
Varmista, että kaikki ruuvit ja mutterit on kiristetty.	X		
Varmista, että akun vapautuspainikkeet toimivat ja lukitsevat akun laitteeseen.	X		
Varmista, ettei akku ole vaurioitunut.	X		
Varmista, että akku on ladattu.	X		
Varmista, että laturi on ehjä ja toimii oikein.	X		
Tarkista kaikki kaapelit ja liitännät. Varmista, että ne ovat ehjiä ja puhtaita.		X	
Tarkista akun ja tuotteen väliset kytkennät. Tarkista akun ja akkulaturin välinen kytkentä.			X

Laitteen, akun ja akkulaturin puhdistaminen

1. Puhdista laite käytön jälkeen kuivalla liinalla.
2. Puhdista akku ja akkulaturi kuivalla liinalla. Pidä akun ohjauskiskot puhtaina.
3. Varmista, että akun ja akkulaturin liittimet ovat puhtaat ennen kuin akku asetetaan akkulaturiin tai laitteeseen.

Kaksiosainen runkoputki

Levitä rasvaa vetoakselin päähän 30 käyttötunnin välein. On olemassa vaara, että jaettavissa malleissa käyttöakselin päät (urallitokset) alkavat ahdistaa, jos niitä ei voidella säännöllisesti. (Kuva 32)

Vianmääritys

Näppäimistö

LED-näyttö	Mahdolliset viat	Mahdolliset toimenpiteet
Vihreä LED vilkkuu	Matala akun jännite.	Lataa akku.
Punainen vian merkivalo vilkkuu	Ylikuormitus.	Terälaite on jumissa. Sammuta laite. Irrota akku. Puhdista ylimääräinen materiaali terälaitteesta.
	Lämpötilavaihtelu.	Anna laitteen jäähtyä.
	Käyttöliipaisinta ja aktivointipainiketta painetaan samaan aikaan.	Vapauta käyttöliipaisin, jolloin laite aktivoituu.

LED-näyttö	Mahdolliset viat	Mahdolliset toimenpiteet
Laite ei käynnisty.	Likaa akkuliittimissä.	Puhdista akkuliittimet paineilmalla tai pehmeällä harjalla.
Vian merkkivalo palaa punaisena.	Laite on huollettava.	Käännä huoltoliikkeen puoleen.

Kuljettaminen, säilyttäminen ja hävittäminen

Kuljetus ja säilytys

- Mukana tulleet litiumioniakut ovat vaarallisten aineiden lainsäädännön määräysten mukaisia.
- Pakkauksessa ja etiketissä olevia kaupallista tavarakuljetusta koskevia erityismääräyksiä on noudatettava, myös kolmansien osapuolten tai huolitsijoiden järjestämässä tavarakuljetuksessa.
- Keskustele erityiskoulutuksen saaneen vaarallisten aineiden asiantuntijan kanssa ennen tuotteen lähettämistä. Noudata kaikkia kansallisia määräyksiä.
- Teippaa paljaat liittimet pakatessasi akun. Aseta akku pakettiin tiukasti niin, ettei se pääse liikkumaan.
- Irrota akku varastoinnin tai kuljetuksen ajaksi.
- Säilytä akkua ja akkulaturia kuivassa paikassa, johon ei pääse kosteutta tai huurretta.
- Älä säilytä akkua paikassa, jossa on staattista sähköä. Älä säilytä akkua metallilaatikossa.
- Säilytä akkua tilassa, jossa lämpötila on 5–25° C ja jossa se ei ole suorassa auringonvalossa.
- Säilytä akkulaturia tilassa, jossa lämpötila on 5–45° C ja jossa se ei ole suorassa auringonvalossa.
- Käytä akkulaturia ainoastaan 5–40 °C:n lämpötilassa.

- Lataa akku ennen pitkäaikaista säilytystä niin, että sen varaustaso on 30–50 prosenttia.
- Säilytä akkua kuivassa ja suljetussa tilassa.
- Pidä akku erillään akkulaturista varastoinnin aikana. Älä anna lasten tai asiaankuulumattomien henkilöiden koskea laitteeseen. Säilytä laitetta lukollisessa tilassa.
- Puhdista ja huolla laite huolellisesti ennen pitkäaikaista säilytystä.
- Käytä kuljetussuojasta kuljetuksen ja varastoinnin aikana vaurioiden ja vammojen välttämiseksi.
- Kiinnitä laite hyvin kuljetuksen ajaksi.

Akun, akkulaturin ja laitteen hävittäminen

Laitteessa tai sen pakkauksessa olevat symbolit osoittavat, ettei laitetta saa hävittää kotitalousjätteen mukana. Vie se asianmukaiseen sähkö- ja elektroniikkalaitteiden keräyspisteeseen. Tämä auttaa estämään sekä ympäristö- että henkilövahinkoja.

Lisätietoja laitteen kierrätyksestä saat paikallisilta viranomaisilta, kotitalousjätepalvelulta tai jälleenmyyjältä.

Tekniset tiedot

Tekniset tiedot

	325iLK
Moottori	
Moottorityyppi	BLDC (harjaton) 36 V
Käyttöakselin pyörimisnopeus, 1/min	8400
Paino	
Paino (vain tehoyksikkö), kg	2,9

	325ILK
Melupäästöt ^{25, 26}	
Äänentehotaso, mitattu dB(A)	89–103
Äänentehotaso, taattu L _{WA} dB(A)	90–106
Äänitasot ^{27, 28}	
Äänenpainetaso käyttäjän korvan tasalla mitattuna standardin EN 62841-1 mukaan, dB (A)	78–93
Tärinätasot ^{29, 30}	
Kahvojen tärinätasot mitattuna standardin EN 62841-1 mukaan, m/s ²	1,3–5,5 / 1,1–3,1

Hyväksytyt akut

Akku	BLi200	40-B220X
Tyyppi	Litiumioni	Litiumioni
Akun kapasiteetti, Ah	5,2	6,0
Nimellisjännite, V	36	36
Paino, kg (lb)	1,3 (2,9)	1,4 (3,1)

Hyväksytyt akkulaturit

Akkulaturi	QC330	40-C500X
Tulojännite, V	100–240	100–240
Taajuus, Hz	50–60	50–60
Teho, W	330	500

²⁵ Melupäästö ympäristöön äänitehona (LWA) EY-direktiivin 2000/14/EY mukaisesti mitattuna. Laitteen ilmoitettu äänentehotaso on mitattu käyttäen alkuperäistä terälaitetta, joka antaa suurimman äänentehotason. Taatun ja mitatun äänitehon erona on se, että taattu ääniteho sisältää myös mitatun tuloksen hajonnan ja vaihtelun saman mallin eri laitteiden välillä direktiivin 2000/14/EY mukaisesti.

²⁶ Melutason pienin ja suurin mitattu arvo.

²⁷ Ilmoitetuilla tiedoilla koneen äänenpainetasosta tyypillinen tilastollinen hajonta (vakiopoikkeama) on 3 dB(A). Taso on mitattu käyttäen alkuperäistä lisälaitetta, joka antaa suurimman äänentehotason.

²⁸ Melutason pienin ja suurin mitattu arvo.

²⁹ Tärinätasolle ilmoitetuissa tiedoissa tyypillinen tilastollinen hajonta (vakiopoikkeama) on 2 m/s². Käytä akku- ja polttomootorikäyttöisten laitteiden tärinätasojen vertailussa tärinälaskuria. <https://www.husqvarna.com/uk/services-solutions/vibration-calculator/>.

³⁰ Melutason pienin ja suurin mitattu arvo.

Lisävarusteet

Lisälaitteet

Hyväksytyt lisälaitteet	Lisälaitteen numero ³¹	Lisälaiteryhmä ³²	Käyttökohde
Ruohoraivurilisälaite BCA850	1	1–10	325iLK
Puhallinlisälaite BA101	11	11–20	325iLK
Reunaleikkurilisälaite ECA850	21	21–30	325iLK
Reunaleikkurilisälaite ESA850	22	21–30	325iLK
Pensasleikkurilisälaite HA860	32	31–40	325iLK
Oksasahalisälaite PAX730	41	41–50	325iLK
Oksasahalisälaite PAX1100	42	41–50	325iLK
Sahalisälaite PA1100	43	41–50	325iLK
Harjalisälaite SR600-2	51	51–60	325iLK
Telaharjalisälaite BR600	52	51–60	325iLK
Pintailmaajalisälaite DT600	53	51–60	325iLK
Jyrsinlisälaite CA230	54	51–60	325iLK
Edestakaisin liukuva teräisälaite RA850	2	1–10	525iLK

³¹ Tämä on hyväksytyyn lisälaitteen numero lisälaiteryhmässä.

³² Hyväksytyt lisälaitteet on jaoteltu lisälaiteryhmiin. Lisälaitteet on jaoteltu lisälaiteryhmiin ominaisuuksien ja tarrojen perusteella.

Vaatimustenmukaisuusvakuutus

EU-vaatimustenmukaisuusvakuutus

Husqvarna AB, SE-561 82 Huskvarna, Ruotsi, puh. +46
36 146500, vakuuttaa täten, että tuote:

Kuvaus	Akkukäyttöinen tehoyksikkö (ruohotrimmeri)
Tuotemerkki	Husqvarna
Tyyppi/malli	325iLK (pelkkä yksikkö)
Tunniste	Sarjanumerot vuodesta 2024 alkaen

vastaavat täysin seuraavien EU:n direktiivien ja
asetusten vaatimuksia:

Direktiivi/asetus	Kuvaus
2006/42/EC	konedirektiivi
2014/30/EMC	Sähkömagneettista yhteensopivuutta koskeva direktiivi
2011/65/EU	"tiettyjen vaarallisten aineiden käytön rajoittaminen"
2000/14/EC	Melupäästädirektiivi

ja että asiassa sovelletaan seuraavia
standardeja ja/tai teknisiä tietoja: EN ISO
12100:2010, EN 62841-1:2015+AC:2015+A11:2022, EN
62841-4-2:2019+A11:2022+A1:2022, IEC 62841-4-4:
2020+A1:2024, IEC 62841-4-6:2022, ISO 11449:1994,
EN ISO 11680-1:2021, EN 61000-6-3:2007+A1:2011,
EN 61000-6-1:2016, EN IEC 63000:2018.



SMP Svensk Maskinprovning AB, Box 4053, SE-904
03 Umeå, Sweden on suorittanut direktiivin 2006/42/EY
liitteen IX mukaisen vapaaehtoisen tyyppitarkastuksen.
Todistuksen numero: SEC/24/2593.

Ilmoitettu tarkastuslaitos: SMP Svensk Maskinprovning
AB, on myös vahvistanut vaatimustenmukaisuuden
neuvoston direktiivin 2000/14/EY liitteen V mukaisesti.
Todistuksen numero: 01/1610/013.

Katso lisätietoja melupäästöistä osiosta *Tekniset tiedot*
sivulla 54.

Huskvarna, 2024-02-01

Stefan Holmberg, Tuotekehityspäällikkö, Technology
Management, Husqvarna AB, Ruotsi

Teknisestä dokumentaatiosta vastaava edustaja

INNHold

Innledning.....	58	Feilsøking.....	67
Sikkerhet.....	59	Transport, oppbevaring og avhending.....	67
Montering.....	64	Tekniske data.....	68
Drift.....	64	Tilbehør.....	69
Vedlikehold.....	66	Samsvarserklæring.....	70

Innledning

Bruksområder

Denne strømforsyningsenheten er en enkelt enhet som bare fungerer sammen med godkjent tilbehør. Se det

Produktoversikt

(Fig. 1)

1. Bruksanvisning
2. 4 mm sekskant
3. Loophåndtak
4. Knott
5. På/av-knapp
6. Hastighetsmodusknapp
7. Kraftutløserperre
8. Brukergrensesnitt
9. Kraftutløser
10. Batterilader (tilbehør)
11. Indikator for lading og ladefeil på laderen
12. Batteriutløserknapper
13. Batteri (tilbehør)
14. LED-lampe for ladestatus
15. Varsellampe
16. Batteriindikatorknapp
17. Kobling for tilbehør

Merk: Batteriet og batteriladeren kan se forskjellige ut på forskjellige modeller.

Symboler på produktet

(Fig. 2) **ADVARSEL!** Dette produktet kan være farlig! Uforsiktig eller feilaktig bruk kan resultere i alvorlige skader eller dødsfall for brukeren eller andre. Det er svært viktig at du leser og forstår innholdet i bruksanvisningen. Les nøye gjennom bruksanvisningen, og forstå innholdet før du bruker produktet.

(Fig. 3) Koble fra batteriet før vedlikehold.

(Fig. 4) Nominell spenning, V

godkjente tilbehøret i *Tilbehør på side 69*. Sørg for å lese denne håndboken sammen med håndboken for det godkjente tilbehøret.

(Fig. 5) Direktestrøm.

(Fig. 6) Dette produktet samsvarer med gjeldende EC-direktiver.

(Fig. 7) Symboler på produktet eller emballasjen indikerer at produktet ikke skal håndteres som husholdningsavfall. Dette produktet må innleveres til et gjenvinningsanlegg.

(Fig. 8) Produktet har beskyttelse mot vannsprut.

yyyywwxxxx | Typeskiltet viser serienummeret. **yyyy** er produktets årsnummer, **ww** er produktets sjuende siffer og **xxxx** er produktets sekvensnummer.

Merk: Øvrige symboler/klistremerker på produktet gjelder sertifiseringskrav for andre markeder.

Produsent

Husqvarna AB

Drottninggatan 2, SE-561 82 Huskvarna, Sweden, tel: +46-36-146500

Skader på produktet

Vi er ikke ansvarlige for skader på produktet vårt hvis:

- Produktet er reparert på feil måte.
- Produktet er reparert med deler som ikke kommer fra produsenten eller som ikke er godkjent av produsenten.
- Produktet har et tilbehør som ikke kommer fra produsenten eller som ikke er godkjent av produsenten.
- Produktet er ikke reparert på et godkjent servicesenter eller av en godkjent aktør.

Støtte

Hvis du vil ha hjelp med produktet, kan du gå til Støtte-delen på for å få tilgang til instruksjoner

og feilsøkningsveiledninger eller bruke Husqvarna Self-Service og produktassistenten (hvis tilgjengelig i markedet ditt). Hvis du ønsker mer støtte for produktet, kan du snakke med Husqvarna-serviceforhandleren din.

Sikkerhet

Sikkerhetsdefinisjoner

Advarsler, oppfordringer og merknader brukes for å understreke spesielt viktige deler av bruksanvisningen.



ADVARSEL: Brukes hvis det er fare for personskade eller død for brukeren eller andre personer om instruksjonene i håndboken ikke følges.



OBS: Brukes hvis det er fare for skade på produktet, annet materiell eller nærliggende områder om instruksjonene i håndboken ikke følges.

Merk: Brukes for å gi mer nødvendig informasjon for en spesifikk situasjon.

Generelle sikkerhetsadvarsler for elektroverktøy



ADVARSEL: Sørg for å lese håndboken for det godkjente tilbehøret sammen med denne håndboken for strømforsyningsenheter.



ADVARSEL: Les alle sikkerhetsadvarsler, -instruksjoner, -illustrasjoner og spesifikasjoner som fulgte med dette elektroverktøyet. Hvis du ikke følger alle instruksjonene som er angitt nedenfor, kan det føre til elektrisk støt, brann og/eller alvorlige skader.

Merk: Ta vare på alle advarsler og instruksjoner for fremtidig bruk. Begrepet «elektroverktøy» i advarslene referer til elektrisk verktøy som drives av nettstrøm (med ledning) eller batteri (uten ledning).

Sikkerhet i arbeidsområdet

- **Hold arbeidsområdet rent og godt opplyst.** Rot og dårlig opplyste områder kan lett føre til ulykker.
- **Ikke bruk maskiner i eksplosive omgivelser, for eksempel i nærheten av brennbare væsker, gasser eller støv.** Maskiner skaper gnister som kan antenne støv eller gasser.

- **Hold barn og tilskuere på avstand når du bruker en maskin.** Distraksjoner kan føre til at du mister kontrollen.

EI-sikkerhet

- **Støpselet til maskinen må passe til stikkkontakten. Du må aldri modifisere støpselet på noen måte. Ikke bruk adapterpluggen sammen med jordede maskiner.** Når støpselet ikke er modifisert og stikkkontakten passer, vil dette redusere faren for elektrisk støt.
- **Unngå kroppskontakt med jordede flater, for eksempel rør, radiatorer, komfyrer og kjøleskap.** Faren for elektrisk støt øker hvis kroppen til brukeren er jordet.
- **Maskiner må ikke utsettes for regn eller annen fukt.** Hvis det kommer vann inn i en maskin, øker faren for elektrisk støt.
- **Ledningen må håndteres forsiktig. Bruk aldri ledningen til å bære eller dra maskinen eller til å trekke ut støpselet til maskinen. Hold ledningen unna varme, olje, skarpe kanter og bevegelige deler.** Skadde eller sammenflokete ledninger øker faren for elektrisk støt.
- **Når en maskin brukes utendørs, må det brukes en skjøteledning som er egnet for utendørs bruk.** Bruk av ledning for utendørs bruk reduserer faren for elektrisk støt.
- **Hvis en maskin må brukes på et fuktig sted, bør den være koblet til en strømkrets som er beskyttet av jordfeilbryter.** Bruk av jordfeilbryter reduserer faren for elektrisk støt.

Personlig sikkerhet

- **Vær oppmerksom, følg med på det du gjør, og bruk sunn fornuft når du bruker en maskin. Ikke bruk en maskin hvis du er trett eller påvirket av narkotika, alkohol eller medisiner.** Et øyeblikks uoppmerksomhet under bruk av maskiner kan føre til alvorlig personskade.
- **Bruk personlig verneutstyr. Bruk alltid øyevern.** Bruk av verneutstyr som støvmaske, vernesko med antisklisåle, hjelm og hørselvern der det kreves, reduserer faren for personskade.
- **Unngå utilsiktet oppstart. Forsikre deg om at bryteren står i AV-stilling før du kobler til strømforsyningen og/eller batteripakken, løfter opp eller bærer maskinen.** Hvis du bærer en maskin påslått eller med en finger på bryteren, kan det lett oppstå ulykker.

- **Fjern eventuelle justeringsnøkler før du slår på maskinen.** En nøkkel som sitter på en roterende del av maskinen, kan forårsake personskade.
- **Ikke strekk deg for langt. Pass på at du står sikkert og hold alltid balansen.** Dette gir deg bedre kontroll over maskinen i uventede situasjoner.
- **Bruk egnede klær. Ikke bruk løstsittende klær eller smykker. Hold hår og klær borte fra bevegelige deler.** Løstsittende klær, smykker eller langt hår kan dras med av deler som beveger seg.
- **Hvis apparatet er forsynt med tilkobling for støvsuger eller oppsamler, må du forsikre deg om at disse er riktig tilkoblet og brukes på riktig måte.** Bruk av et støvavsug kan redusere færen på grunn av støv.
- **Selv om du har lang erfaring med bruk av maskiner, må du ikke bli uforsiktig eller ignorere sikkerhetsreglene.** Uforsiktig oppførsel kan føre til alvorlige skader i løpet av et lite sekund.

Bruk og vedlikehold av maskinen

- **Ikke bruk makt på maskinen. Bruk riktig maskin til den aktuelle oppgaven.** Riktig maskin gjør jobben på en bedre og sikrere måte i den hastigheten den er konstruert for.
- **Ikke bruk maskinen hvis bryteren ikke fungerer som den skal.** Maskiner som ikke kan kontrolleres med bryteren, er farlige, og må repareres.
- **Koble støpselet fra strømforsyningen og/eller batteripakken fra produktet, hvis det er avtakbart, før du foretar justeringer, skifter tilbehør eller legger unna produktet for oppbevaring.** Disse forsiktighetsiltakene forhindrer utilsiktet start av elektroverktøyet.
- **Maskiner som ikke er i bruk, må oppbevares utilgjengelig for barn. Ikke la personer som ikke er kjent med maskinen eller disse instruksjonene, bruke maskinen.** Maskiner er farlige når de håndteres av uerfarne brukere.
- **Vedlikehold maskiner og tilbehør. Kontroller justeringen av bevegelige deler, samt at de ikke sitter fast. Kontroller at det ikke finnes ødelagte deler eller andre feil som kan påvirke bruken av maskinen. Hvis maskinen er skadet, må den repareres før bruk.** Mange ulykker skyldes dårlig vedlikeholdte maskiner.
- **Hold skjæreverktøy skarpe og rene.** Riktig vedlikeholdte skjæreverktøy med skarpe skjærekanter har mindre fare for å sette seg fast, og er lettere å kontrollere.
- **Bruk maskinen, tilbehør og bits osv. i samsvar med disse instruksjonene, de aktuelle arbeidsforholdene og arbeidet som skal utføres.** Bruk av maskinen til andre oppgaver enn dem den er tiltenkt, kan føre til farlige situasjoner.
- **Hold håndtakene og gripeflatene tørre, rene og frie for olje og fett.** Glatte håndtak og gripeflater umuliggjør trygg håndtering og kontroll av maskinen i uventede situasjoner.

Bruk og vedlikehold av batteridreven maskin

- **Må bare lades med laderen som er spesifisert av produsenten.** En lader som passer til én batteripakke kan skape brannfare hvis den brukes med en annen batteripakke.
- **Bruk kun de batteriene som er tiltenkt for elektroverktøyene.** Bruk av andre batteripakker kan medføre fare for personskade og brann.
- **Når batteriet ikke er i bruk, må det holdes unna andre metallgjenstander som binders, mynter, nøkler, spiker, skruer og andre små metallgjenstander som kan danne en forbindelse fra den ene batteripolen til den andre.** Kortslutning av batteripolene kan føre til forbrenning eller brann.
- **Hvis batteriet utsettes for store påkjenninger, kan det komme væske ut av det. Unngå i så fall kontakt med denne væsken. Skyll med vann hvis kontakt oppstår ved et uhell. Hvis du får væske i øynene, kontakt lege øyeblikkelig.** Væske som kommer ut av batteriet kan forårsake irritasjon eller forbrenninger.
- **Ikke bruk en batteripakke eller maskin som er skadet eller endret.** Skadede eller endrede batterier kan ha en uforutsigbar adferd, noe som kan føre til brann, eksplosjoner eller personskader.
- **Ikke utsett en batteripakke eller maskin for ild eller for høye temperaturer.** Eksponering for flammer eller temperaturer over 130 °C (265 °F) kan føre til eksplosjon.
- **Følg alle ladeinstruksjonene, og ikke lad batteripakken eller maskinen utenfor temperaturområdet som er angitt i instruksjonene.** Lading på feil måte eller ved temperaturer utenfor det angitte området kan påføre batteriet skade og øke faren for brann.

Service

- **Service må bare utføres av kvalifiserte reparatører, og kun med identiske reservedeler.** Dette sikrer at sikkerheten til maskinen opprettholdes.
- **Utfør aldri service på skadede batteripakker.** Service av batteripakker skal kun utføres av produsenten eller autoriserte serviceleverandører.

Annen generell sikkerhetsinformasjon

- Slå av produktet før du flytter det. Ta alltid ut batteriet før du overlater produktet til en annen person.
- Sett aldri produktet ned med mindre du har slått det av og tatt ut batteriet. Ikke forlat produktet uten tilsyn når det er slått på.
- Skjæreutstyret stopper ikke umiddelbart når produktet slås av.
- Før produktet brukes og etter at det har vært utsatt for slag, må det kontrolleres for tegn på slitasje eller skader. Det skal repareres ved behov.
- Hvis noe skulle sette seg fast i skjæreutstyret mens du bruker produktet, må du stoppe og slå av produktet. Kontroller at skjæreutstyret stopper

- helt. Ta ut batteriet før du rengjør, inspiserer eller reparerer produktet og/eller skjæreutstyret.
- Kontroller produktet før bruk. Se *Sikkerhetsutstyr på produktet på side 62 og Vedlikehold på side 66*. Ikke bruk et skadet produkt. Utfør sikkerhetskontrollene, og følg vedlikeholds- og serviceinstruksjonene i denne bruksanvisningen.
 - Defekt skjæreutstyr kan øke risikoen for ulykker.
 - Kontroller giret med tanke på smuss og sprekker. Fjern gress og løv fra giret med en børste. Hansker skal brukes ved behov.
 - Pass alltid på at ventilasjonsåpningene holdes frie for smuss.
 - Kontroller at trimmerhodet er skikkelig festet på trimmeren.
 - Alle deksler, all beskyttelse og alle håndtak må være montert før maskinen startes.
 - Kontroller at produktet er i perfekt stand. Kontroller at alle muttere og skruer er trukket ordentlig til.
 - Kontroller trimmerhodet og trimmerskjermen slik at de er uten skader og fri for sprekkdannelser. Bytt trimmerhode eller trimmerskjerm hvis de er blitt utsatt for slag eller har sprekker. Bruk alltid anbefalt beskyttelse for det spesifikke skjæreutstyret. Se *Tekniske data på side 68*.
 - Dette produktet er et farlig verktøy hvis du ikke er forsiktig, eller hvis du bruker produktet på feil måte. Dette produktet kan føre til alvorlig personskade eller død for operatøren eller andre.
 - Maskinen er ikke ment for å brukes av personer (inkludert barn) med redusert fysisk, sansemessig eller mental kapasitet eller personer uten erfaring og kunnskap, hvis de ikke er under tilsyn og får instruksjoner i bruk av maskinen av en person som er ansvarlig for deres sikkerhet. Barn må holdes under oppsyn for å sikre at de ikke leker med apparatet.
 - La aldri barn bruke eller oppholde seg i nærheten av maskinen. Siden maskinen er lett å starte, kan barn starte den hvis de ikke holdes under oppsyn. Dette kan medføre risiko for alvorlig personskade. Batteriet må derfor kobles fra når maskinen ikke er under oppsyn.
 - Produktet og/eller batteriet må aldri brukes av barn eller personer som ikke har fått opplæring i bruken av det.
 - Oppbevar utstyret i et låsbart område, slik at det er utilgjengelig for barn og uautoriserte personer.
 - Transportbeskyttelsen må alltid brukes ved oppbevaring og transport.
 - Hold alltid hender og føtter borte fra klippeområdet, og spesielt når motoren slås på.
 - Når produktet er slått av, må du holde hender og føtter unna skjæreutstyret til det har stoppet helt.
 - Ikke fjern avklippet materiale eller la andre personer fjerne det mens produktet er slått på eller skjæreutstyret roterer. Dette kan føre til alvorlige skader.
 - Husk at det er du som bruker som har ansvaret for å unngå at personer eller eiendom utsettes for fare.
 - Den opprinnelige konstruksjonen til produktet må ikke under noen omstendigheter endres uten tillatelse fra produsenten. Bruk alltid originalt tilbehør. Uautoriserte endringer og/eller tilleggsutstyr kan medføre alvorlige skader eller dødsfall for brukeren eller andre. Garantien din dekker kanskje ikke skader eller erstatningsansvar som følge av bruk av uautoriserte tilbehør og reservedeler.
 - Det eneste tilbehøret som kan brukes med dette produktet, er skjæreutstyret som anbefales i kapittelet om tilbehør. Se *Tilbehør på side 69*.
 - Bruk aldri et produkt som er modifisert slik at det ikke lenger er i samsvar med originalutførelsen.
 - Bruk aldri et defekt produkt. Utfør sikkerhetskontrollene og vedlikeholds- og serviceinstruksjonene i denne bruksanvisningen. Noen vedlikeholds- og servicetiltak må utføres av erfarne og kvalifiserte spesialister. Se instruksjonene under overskriften Vedlikehold.
 - Arbeid i dårlig vær er slitsomt og kan medføre ekstra faremomenter. Det anbefales ikke å bruke maskinen i veldig dårlig vær, for eksempel i tett tåke, kraftig regn, sterk vind eller sterk kulde eller ved fare for lyn. Dette gir økt fare.
 - Arbeid aldri på en stige, skammel eller stå på noe annet som ikke er ordentlig sikret.
 - Produktet bør oppbevares innendørs når det ikke er i bruk.
 - Det er umulig å dekke alle de tenkelige situasjonene som kan oppstå. Vær alltid forsiktig og bruk sunn fornuft. Unngå situasjoner du ikke føler deg tilstrekkelig kvalifisert for. Hvis du etter å ha lest disse instruksjonene fortsatt føler deg usikker vedrørende bruken, skal du rådføre deg med en ekspert før du fortsetter.
 - Sørg for at ingen mennesker eller dyr kommer nærmere enn 50 ft (15 m) unna mens du arbeider. Hvis flere arbeider på samme sted, skal sikkerhetsavstanden være minst 50 fot (15 meter). Ellers kan dette medføre risiko for alvorlig personskade. Stopp produktet øyeblikkelig hvis noen kommer nærmere. Sving aldri produktet rundt uten først å ha kontrollert bakover at ingen befinner seg innenfor sikkerhetssonen.
 - Sørg for at mennesker, dyr eller annet ikke kan påvirke kontrollen av produktet, og at de ikke kommer i kontakt med skjæreutstyret eller løse gjenstander som slynges ut av skjæreutstyret. Bruk imidlertid aldri produktet uten mulighet til å kunne påkalle hjelp ved en ulykke.
 - Sørg for at du kan gå og stå sikkert. Se etter eventuelle hindre ved uventet forflytting (røtter, steiner, greiner, grop, forhøyninger osv.). Vær meget forsiktig ved arbeid i skrånende terreng.
 - Gå, ikke løp.
 - Inspiser arbeidsområdet. Fjern alle løse gjenstander, for eksempel steiner, glasskår, spiker, ståltråd,

- snorer osv., som kan bli slynget av sted eller vikle seg rundt kapperen eller kapperbeskyttelsen.
- Se opp for grenstumper som kan slynge i vei under kappingen. Klipp ikke for nær bakken, der steiner og andre gjenstander kan bli slynget av gårde.
 - Forsikre deg om at ingen klær eller kroppsdeler kan komme i kontakt med skjæreutstyret når produktet er slått på. Hold produktet under midjehøyde.
 - Se opp for gjenstander som slynge ut. Godkjent øyevern skal alltid brukes. Bøy deg aldri over beskyttelsen for skjæreutstyret. Steiner, skrot o.l. kan bli slynget opp i øynene og forårsake blindhet eller alvorlige skader.
 - Vær alltid oppmerksom på varsel signaler eller tilrop ved bruk av hørselsvern. Ta alltid av hørselvernet så snart produktet stopper.
 - Hvis det oppstår uønskede vibrasjoner, mater du ut ny tråd, slik at tråden får riktig lengde. Dette skal stoppe vibrasjonene.
 - Hvis produktet begynner å vibrere unormalt, må du stoppe produktet og ta ut batteriet.
 - Overeksponering for vibrasjoner kan føre til blodkar- eller nerveskader hos personer som har dårlig blodsirkulasjon. Oppsøk lege hvis du opplever fysiske symptomer som kan relateres til overeksponering for vibrasjoner. Eksempel på slike symptomer er dovnung, manglende følelse, «kiling», «stikk», smerte, manglende eller redusert styrke, forandringer i hudens farge eller overflate. Disse symptomene opptrer vanligvis i fingre, hender eller håndledd.
 - Hold alltid i produktet med begge hender. Hold produktet på høyre side av kroppen.

Personlig verneutstyr



ADVARSEL: Les de følgende advarselinstruksjonene før du bruker produktet.

- Benytt alltid godkjent verneutstyr når du bruker produktet. Verneutstyr kan aldri fullstendig forhindre skade, men det reduserer skadeomfanget hvis ulykken inntreffer. Spør forhandleren din om hjelp til å velge riktig utstyr.
 - Bruk vernehjelm dersom det kan være fare for fallende gjenstander.
 - Bruk godkjent hørselsvern med tilstrekkelig lyddempende virkning. Langvarig eksponering for støy kan gi varige hørselsskader.
 - Bruk godkjent øyevern. Ved bruk av visir skal det også brukes godkjente vernebriller. Godkjente vernebriller er slike som tilfredsstiller standard ANSI Z87.1 for USA eller EN 166 for EU-land.
 - Bruk visir for å beskytte ansiktet. Et visir er ikke nok for å beskytte øynene.
- (Fig. 9)
- Bruk hansker når det er nødvendig, for eksempel når du fester, undersøker eller rengjør skjæreutstyret.

- Bruk sklisikre og solide støvler.
- Bruk klær av et slitesterkt materiale. Bruk alltid tykke langbukser og lange ermer. Unngå bruk av altfor vide klær som lett henger seg fast i kvister og grener. Ikke bruk smykker, kortbukser eller sandaler, og ikke gå barbert. Sett håret opp over skuldernivå.

(Fig. 10)

- Ha førstehjelpsutstyr for hånden.

(Fig. 11)

Sikkerhetsutstyr på produktet



ADVARSEL: Les de følgende advarselinstruksjonene før du bruker produktet.

I dette avsnittet forklares produktets sikkerhetsfunksjoner, hvilken funksjon det har, og hvordan man utfører kontroll og vedlikehold for å være sikker på at det fungerer. Se bruksanvisningen under overskriften *Innledning på side 58* for å finne ut hvor disse delene er plassert på produktet.

Levetiden til produktet kan forkortes og risikoen for ulykker kan øke dersom produktvedlikeholdet ikke utføres på riktig måte, og dersom service eller reparasjoner ikke er fagmessig utført. Hvis du trenger ytterligere informasjon, kan du kontakte nærmeste servicesenter.



ADVARSEL: Bruk aldri et produkt med skader på sikkerhetsutstyret. Produktets sikkerhetsutstyr skal kontrolleres og vedlikeholdes som beskrevet i dette avsnittet. Hvis produktet ikke består alle kontrollene, må serviceverksted oppsøkes for reparasjon.



OBS: All service og reparasjon av maskinen krever spesialutdanning. Dette gjelder særlig maskinens sikkerhetsutstyr. Hvis maskinen ikke består alle kontrollene som er oppgitt nedenfor, må du oppsøke et serviceverksted. Kjøp av våre produkter garanterer at du kan få utført en fagmessig reparasjon og service. Hvis maskinen ikke er kjøpt hos en av våre servicefaghandlere, så spør dem etter nærmeste serviceverksted.

Slik kontrollerer du brukergrensesnittet

1. Trykk på og hold inne på/av-knappen (A). (Fig. 12)
 - a) Produktet er slått på når displayet (B) slås på.
 - b) Produktet er slått av når displayet slås av.
2. Se *Tastatur på side 67* hvis varselampen på displayet slås på eller blinker.

Slik kontrollerer du kraftutløserperren

Kraftutløserperren er konstruert for å forhindre at maskinen aktiveres ved et uhell. Når du skyver kraftutløserperren fremover (A) og deretter presser kraftutløserperren mot håndtaket (B), utløses kraftutløseren (C). Når grepet rundt håndtaket slippes, tilbakestilles både kraftutløseren og kraftutløserperren til sin opprinnelige posisjon. Denne bevegelsen styres av tre uavhengige fjærer. (Fig. 13)

1. Kontroller at kraftutløseren er låst når sperren står i utgangsstillingen. (Fig. 14)
2. Skyv kraftutløserperren fremover (A) og ned. Hold kraftutløserperren mot håndtaket (B), og kontroller at den går tilbake til sin opprinnelige posisjon når du slipper den. (Fig. 15)
3. Kontroller at kraftutløseren og kraftutløserperren kan bevege seg fritt og at returfjærene fungerer som de skal. (Fig. 16)
4. Trykk på og hold inne på/av-knappen for å slå på produktet.
5. Skyv kraftutløseren så langt du kan for å oppnå fullt turtall.
6. Slipp kraftutløseren, og forsikre deg om at skjærestyret stopper og forblir i ro.

Sikkerhetsinstruksjoner for montering



ADVARSEL: Les denne håndboken for strømforsyningsenheten sammen med håndboken for det godkjente tilbehøret.

- Ta batteriet ut av produktet før du setter sammen produktet.
- Bruk de godkjente vernehanskene.
- En skadet eller feil beskyttelse kan forårsake skade. Ikke bruk skjærestyr som ikke har en godkjent beskyttelse montert.
- Sørg for at du monterer dekselet og riggrøret på riktig måte før du starter produktet.
- Hvis det følger en sele med tilbehøret, må selen være riktig festet til produktet. Selen sikrer trygg bruk og forhindrer skader på brukeren og andre personer.

Batterisikkerhet



ADVARSEL: Les de følgende advarselsinstruksjonene før du bruker produktet.

- Bruk bare batterier som er godkjent av Husqvarna. Se *Godkjente batterier på side 68*. Batteriene er programvarekryptert.
- Bruk bare batterier som er godkjent av Husqvarna som strømforsyning for de tilknyttede Husqvarna-produktene. For å unngå personskader må du

ikke bruke batteriet som strømforsyning for andre enheter.

- Fare for elektrisk støt. Ikke la batteripolene komme i kontakt med nøkler, mynter, skruer eller andre metallgjenstander. Dette kan føre til kortslutning av batteriet.
- Ikke bruk ikke-oppladbare batterier.
- Ikke sett gjenstander inn i luftåpningene til batteriet.
- Hold batteriet unna sollys, varme og åpen ild. Batteriet kan forårsake forbrenninger og/eller kjemiske forbrenninger.
- Hold batteriet unna regn og fuktighet.
- Hold batteriet unna mikrobølger og høyt trykk.
- Ikke prøv å demontere eller ødelegge batteriet.
- Hvis batteriet lekker, må væsken ikke komme i kontakt med hud eller øyne. Hvis du har berørt væsken, må du rengjøre området med store mengder vann og såpe og oppsøke legehjelp. Unngå å gni hvis du får væske i øynene. Skyll øynene med vann i minst 15 minutter, og oppsøk legehjelp.
- Bruk batteriet i temperaturer mellom $-10\text{ }^{\circ}\text{C}$ ($14\text{ }^{\circ}\text{F}$) og $40\text{ }^{\circ}\text{C}$ ($114\text{ }^{\circ}\text{F}$).
- Ikke rengjør batteriet eller batteriladeren med vann. Se *Slik rengjør du produktet, batteriet og batteriladeren på side 66*.
- Ikke bruk et batteri som er skadet eller ikke fungerer som det skal.
- Oppbevar batteriene unna metallgjenstander, for eksempel spikre, skruer og smykker.
- Oppbevar batteriet utilgjengelig for barn.

Sikker bruk av batteriladeren



ADVARSEL: Les de følgende advarselsinstruksjonene før du bruker produktet.

- Fare for elektrisk støt eller kortslutning hvis sikkerhetsinstruksjonene ikke følges.
- Ikke bruk andre ladere enn den som ble levert med produktet. Bruk bare Husqvarna-godkjente batteriladere for å lade Husqvarna-godkjente batterier. Se *Tekniske data på side 68* for instruksjoner.
- Ikke prøv å demontere batteriladeren.
- Ikke bruk en batterilader som er skadet eller ikke fungerer som den skal.
- Ikke løft batteriladeren etter strømledningen. For å koble laderen fra stikkkontakten drar du i støpselet. Ikke dra i ledningen.
- Hold alle ledninger og skjøteledninger borte fra vann, olje og skarpe kanter. Pass på at kablen ikke kommer i klem mellom objekter, for eksempel dører, gjerdet eller lignende.
- Ikke bruk batteriladeren i nærheten av brennbare materialer eller materialer som kan forårsake korrosjon. Kontroller at batteriladeren ikke er

tildrekket. Trekk ut støpselet til batteriladeren hvis det oppstår røyk eller brann.

- Bare lad batteriet innendørs på et sted med god luftsirkulasjon og som er beskyttet mot direkte sollys. Ikke lad batteriet utendørs. Ikke lad batteriet i fuktige omgivelser.
- Bare bruk batteriladeren i temperaturer mellom 5 °C (41 °F) og 40 °C (104 °F). Bruk laderen i godt ventilerte, tørre og støvfrie omgivelser.
- Ikke sett gjenstander inn i luftåpningene til laderen.
- Berør aldri ladekontaktene med metallgjenstander. Dette kan kortslutte batteriladeren.
- Bruk bare godkjente stikkontakter som ikke er skadet. Kontroller at ledningen til batteriladeren ikke er skadet. Hvis skjøteledninger brukes, må du passe på at skjøteledningene ikke er skadet.

Sikkerhetsinstruksjoner for vedlikehold



ADVARSEL: Les de følgende advarslene før du utfører vedlikehold på produktet.

- Fjern batteriet før du utfører vedlikehold, andre kontroller eller monterer produktet.
- Operatøren må bare utføre vedlikehold og service som refereres til i denne bruksanvisningen. Henvend deg til forhandleren for mer omfattende vedlikehold og service.
- Ikke rengjør batteriet eller batteriladeren med vann. Sterke vaskemidler kan skade platen.
- Hvis du ikke utfører vedlikehold, minsker levetiden til produktet og risikoen for ulykker øker.
- Det kreves spesiell opplæring for alt vedlikehold og reparasjonsarbeid, spesielt for sikkerhetsutstyret på produktet. Hvis ikke alle kontrollene i denne bruksanvisningen er godkjent etter at du har gjort vedlikehold, må du ta kontakt med serviceforhandleren. Vi garanterer at fagmessig reparasjon og service er tilgjengelig for produktet.
- Bruk bare originale reservedeler.
- Bruk alltid robuste hansker når du reparerer skjøreutstyret. Bladene er svært skarpe og kan lett forårsake skader.

Montering

Slik monterer du loophåndtaket

1. Fest loophåndtaket til riggrøret mellom pilene. Ikke plasser loophåndtaket eller opphengsløkken på etiketten. (Fig. 17)
2. Flytt avstandsstykket inn i sporet til loophåndtaket.
3. Fest mutteren, knotten og skruen – ikke for stramt.
4. Juster produktet slik at det kan brukes komfortabelt.
5. Trekk til bolten.

Slik monterer du det todelte riggrøret

1. Vri knotten for å løsne koblingen. (Fig. 18)
2. Rett inn tappen (A) etter pilen (B) på koblingen. (Fig. 19)
3. Skyv riggrøret inn i koblingen til det smekker på plass. (Fig. 20)
4. Stram knotten helt. (Fig. 21)

Slik demonterer du det todelte riggrøret

1. Vri knotten 3 omdreininger eller mer for å løsne koblingen. (Fig. 22)
2. Trykk ned og hold nede knappen (C).
3. Hold godt tak i enden av riggrøret som motoren er festet til.
4. Trekk tilbehøret ut av koblingen. (Fig. 23)

Slik monteres opphengsløkken ved behov

1. Monter opphengsløkken mellom pilene på det bakre håndtaket og loophåndtaket. (Fig. 24)

Merk: Ikke plasser loophåndtaket på etiketten.

2. Juster ringen for å balansere produktet og gjøre det enkelt å bruke.

Drift

Innledning



ADVARSEL: Les og forstå kapittelet om sikkerhet før du bruker produktet.

Husqvarna Connect

Husqvarna Connect er en kostnadsfri app for mobilenheten din. Husqvarna Connect-appen gir utvidede funksjoner for Husqvarna-produktet ditt.

- utvidet produktinformasjon
- informasjon om og hjelp med produktdeleer og service

Slik begynner du å bruke Husqvarna Connect

1. Last ned Husqvarna Connect-appen på mobilenheten din.
2. Utfør registrering i Husqvarna Connect-appen.
3. Følg instruksjonene i Husqvarna Connect-appen for å koble til og registrere produktet.

Merk: Husqvarna Connect-appen er ikke tilgjengelig for nedlasting i alle markeder. Kontakt serviceforhandleren din for mer informasjon.

Slik kobler du batteriet til produktet



ADVARSEL: Bruk bare originale Husqvarna-batterier i produktet.

1. Kontroller at batteriet er fulladet.
2. Skyv batteriet inn i batteriholderen på produktet. Batteriet låses på plass når du hører et klikk. (Fig. 25)



OBS: Hvis det er vanskelig å få batteriet inn i batteriholderen, er dette fordi du prøver å sette det inn på feil måte. Dette kan skade produktet.

3. Sørg for at batteriet settes inn på riktig måte.

Slik lader du batteriet

Merk: Hvis det er første gang du bruker batteriet, må du lade det. Et nytt batteri er bare 30 % ladet.

1. Kontroller at batteriet er tørt.
2. Sett batteriet i batteriladeren. (Fig. 26)

Merk: Batteriet og batteriladeren kan se forskjellige ut på forskjellige modeller, men fremgangsmåten er den samme.

3. Kontroller at den grønne ladelampen på laderen tennes. Det betyr at batteriet er riktig koblet til laderen.
4. Når alle LED-indikatorene på batteriet lyser, er batteriet fulladet. (Fig. 27)
5. Når du skal koble laderen fra stikkkontakten, drar du i støpselet. Ikke dra i ledningen.
6. Fjern batteriet fra batteriladeren.

Merk: Se bruksanvisningene for batteriet og batteriladeren for mer informasjon.

Arbeidsposisjon

- Hold i produktet med begge hender.
- Hold produktet på høyre side av kroppen.

- Ha skjærestyret under midjehøyde.
- Hold kroppsdelene unna varme overflater.
- Hold kroppsdelene unna skjærestyret.

Før du bruker produktet

- Undersøk arbeidsområdet for å forsikre deg om at du er klar over hvordan terrenget og hellingen er. Undersøk også om det finnes noen hindringer som steiner, grener eller grøfter i veien.
- Utfør en inspeksjon av produktet.
- Utfør sikkerhetskontrollene, vedlikeholdet og servicen som er angitt i denne bruksanvisningen.
- Kontroller at alle deksler, beskyttelser, håndtak og tilbehør er riktig festet og ikke er skadet.

Slik starter du produktet

1. Trykk på og hold inne på/av-knappen til den grønne LED-lampen tennes. (Fig. 28)
2. Bruk kraftutløseren til å styre hastigheten.

Slik begrenser du det maksimale turtallet med modusknappen

Produktet har en modusknapp. Med modusknappen kan brukeren begrense det maksimale turtallet. Modusknappen har tre turtallsnivåer. Et lavere nivå forlenger brukstiden for produktet. Modusknappen har tre turtallsnivåer. Et lavere nivå forlenger brukstiden for produktet. Bruk nivå 1 og nivå 2 hvis bruken ikke krever fullt turtall / full effekt. Hvis driftsforholdene krever fullt turtall / full effekt, bruker du nivå 3. Ikke bruk et høyere nivå enn nødvendig for driften.

1. Trykk på modusknappen for å stille inn en grense for maksimalt turtall. Den hvite LED-lampen tennes for å vise at funksjonen er slått på. (Fig. 29)
2. Trykk på modusknappen én gang til for å velge neste turtallsnivå.

Funksjon for automatisk avslåing

Produktet har en funksjon for automatisk avslåing som gjør at produktet slås av hvis du ikke bruker det på tre minutter.

Slik stopper du produktet

1. Slipp kraftutløseren eller kraftutløserperren.
2. Trykk på på/av-knappen. (Fig. 30)
3. Trykk på utløserknappene på batteriet, og trekk ut batteriet. (Fig. 31)

Vedlikehold

Innledning



ADVARSEL: Før du utfører vedlikeholdsarbeid, må du lese og forstå kapittelet om sikkerhet.

Under følger en liste over vedlikeholdstrinnene som må utføres på produktet. I tillegg til vedlikeholdet som er angitt i vedlikeholdsplanen, må du få utført regelmessig service på produktet hos en Husqvarna-serviceforhandler. Ta kontakt med Husqvarna-serviceforhandleren din hvis du trenger informasjon om serviceintervallene.

Vedlikeholdsskjema



ADVARSEL: Fjern batteriet før du utfører vedlikehold.

Vedlikehold	Daglig	Ukentlig	Månedlig
Rengjør de utvendige delene av produktet med en tørr klut. Du må ikke bruke vann.	X		
Kontroller at AV/PÅ-knappen fungerer på riktig måte og ikke er skadet.	X		
Kontroller at kraftutløseren og kraftutløserperren fungerer riktig med hensyn til sikkerhet.	X		
Pass på at alle kontrollene fungerer og ikke er skadet.	X		
Hold håndtakene tørre, rene og frie for olje og fett.	X		
Kontroller at skruer og mutre sitter stramt.	X		
Kontroller at utløserknappene på batteriet fungerer og låser batteriet i produktet.	X		
Kontroller at batteriet ikke er skadet.	X		
Kontroller at batteriet er ladet.	X		
Kontroller at batteriladeren ikke er skadet, og at den fungerer som den skal.	X		
Undersøk alle kabler, koblinger og forbindelser. Pass på at de er rene og ikke er skadet.		X	
Kontroller forbindelsene mellom batteriet og produktet. Kontroller forbindelsen mellom batteriet og batteriladeren.			X

Slik rengjør du produktet, batteriet og batteriladeren

1. Rengjør produktet med en tørr klut etter bruk.
2. Rengjør batteriet og batteriladeren med en tørr klut. Hold batterisporene rene.
3. Kontroller at terminalene på batteriet og batteriladeren er rene før batteriet settes i batteriladeren eller produktet.

Todelt riggrør

Påfør fett på enden av drivakselen etter hver 30. driftstime. Det er fare for at drivakselendene (splinesforbindelsene) på de delbare modellene kan kjøre fast hvis de ikke smøres regelmessig. (Fig. 32)

Feilsøking

Tastatur

LED-display	Mulige feil	Mulig handling
Den grønne aktiveringslampen blinker.	Lav batterispenning	Lad batteriet.
Rød LED-feillampe blinker.	Overbelastning	Skjærestyret har satt seg fast. Slå av produktet. Fjern batteriet. Fjern uønsket materiale fra skjærestyret.
	Temperaturavvik	La produktet avkjøles.
	Kraftutløseren og aktiveringsknappen trykkes samtidig.	Slipp kraftutløseren, så er produktet aktivt.
Produktet starter ikke	Smuss på batterikontaktene	Rengjør batterikontaktene med trykkluft eller en myk børste.
LED-feillampen lyser rødt.	Produktet trenger service.	Kontakt serviceverkstedet ditt.

Transport, oppbevaring og avhending

Transport og oppbevaring

- De medfølgende litiumionbatteriene samsvarer med kravene i loven om farlige varer.
- Følg de spesifikke kravene på emballasje og etiketter for kommersiell transport, inkludert av tredjeparter og fraktleverandører.
- Snakk med en person med spesiell opplæring i farlige materialer før du sender produktet. Følg alle gjeldende nasjonale forskrifter.
- Bruk tape på åpne kontakter når du plasserer batteriet i en pakke. Pakk batteriet stramt for å hindre bevegelse.
- Fjern batteriet ved lagring og transport.
- Oppbevar batteriet og batteriladeren på et sted som er tørt og fri for fukt og frost.
- Batteriet må ikke oppbevares på steder der det kan forekomme statisk elektrisitet. Ikke oppbevar batteriet i en metallkasse.
- Oppbevar batteriet i temperaturer mellom 5°C (41°F) og 25°C (77°F) og unna direkte sollys.
- Oppbevar batteriladeren i temperaturer mellom +5 °C (+41 °F) og +45 °C (+113 °F) og unna direkte sollys.
- Bruk batteriladeren bare i temperaturer mellom 5°C (41 °F) og 40°C (104°F).
- Lad opp batteriet til 30–50 % før du setter det til oppbevaring i lange perioder.

- Oppbevar batteriladeren på et sted som er lukket og tørt.
- Hold batteriet og batteriladeren separert under oppbevaring. Ikke la barn eller andre uautoriserte personer røre utstyret. Oppbevar utstyret i et område som kan låses.
- Rengjør produktet og utfør en fullstendig service før du setter det til oppbevaring i lang tid.
- Bruk transportbeskyttelsen på produktet for å unngå personskader eller skade på produktet under transport og oppbevaring.
- Fest produktet på en sikker måte under transport.

Kassering av batteri, batterilader og produktet

Symbolene på produktet eller produktemballasjen angir at dette produktet ikke skal håndteres som restavfall. Resirkuler det på et gjenvinningsanlegg for elektrisk og elektronisk utstyr. Dette bidrar til å forhindre miljøskader og personskader.

Ta kontakt med lokale myndigheter, det lokale renovasjonsvesenet eller forhandleren hvis du ønsker mer informasjon om hvordan produktet ditt skal gjenvinnes.

Tekniske data

Tekniske data

	325iLK
Motor	
Motortype	BLDC (børsteløs) 36 V
Turtall på utgående aksel, o/min	8400
Vekt	
Vekt (kun strømenhet), kg	2,9
Støyutslipp ^{33, 34}	
Lydeffektnivå, målt dB (A)	89–103
Lydeffektnivå, garantert L _{WA} dB (A)	90–106
Lydnivåer ^{35, 36}	
Ekvivalent lydtryknivå ved brukerens øre, målt i henhold til EN 62841-1, dB (A):	78–93
Vibrasjonsnivåer ^{37, 38}	
Vibrasjonsnivåer i håndtak, målt i henhold til EN 62841-1, m/s ²	1,3–5,5/1,1–3,1

Godkjente batterier

Batteri	BLi200	40-B220X
Type	Litium-ion	Litium-ion
Batterikapasitet, Ah	5,2	6,0
Nominell spenning, V	36	36
Vekt, kg (lb)	1,3 (2,9)	1,4 (3,1)

³³ Utslipp av støy til omgivelsene målt som lydeffekt (LWA) samsvarer med EF-direktiv 2000/14/EF. Rapporterte lydeffektnivåer for maskinen er målt med det originale skjæreutstyret som gir høyest nivå. Forskjellen mellom garantert og målt lydeffekt er at garantert lydeffekt også omfatter spredning i måleresultatet og variasjoner mellom forskjellige maskiner av samme modell, i henhold til direktivet 2000/14/EF.

³⁴ Støyområdet angir laveste til høyeste målte verdi.

³⁵ Rapporterte data for lydtryknivå for maskinen har en typisk statistisk spredning (standardavvik) på 3 dB (A) og er målt med originaltilbehør som gir det høyeste nivået.

³⁶ Støyområdet angir laveste til høyeste målte verdi.

³⁷ Rapporterte data for vibrasjonsnivå har en typisk statistisk spredning (standardavvik) på 2 m/s². Bruk vibrasjonskalkulatoren for å sammenligne vibrasjonsnivåer, batteri- og bensindrevne produkter. <https://www.husqvarna.com/uk/services-solutions/vibration-calculator/>.

³⁸ Støyområdet angir laveste til høyeste målte verdi.

Godkjente batteriladere

Batterilader	QC330	40-C500X
Inngangsspenning, V	100–240	100–240
Frekvens, Hz	50–60	50–60
Effekt, W	330	500

Tilbehør

Tilleggsutstyr

Godkjent tilbehør	Tilbehørsnummer ³⁹	Tilbehørsgruppe ⁴⁰	Brukes til
Ryddesagtilbehør BCA850	1	1–10	325iLK
Blåsertilbehør BA101	11	11–20	325iLK
Kantskjærertillegg ECA850	21	21–30	325iLK
Kantskjærertillegg ESA850	22	21–30	325iLK
Hekksakstilbehør HA860	32	31–40	325iLK
Stangsagtilbehør PAX730	41	41–50	325iLK
Stangsagtilbehør PAX1100	42	41–50	325iLK
Sagtilbehør PA1100	43	41–50	325iLK
Børstesett SR600-2	51	51–60	325iLK
Børstetilbehør BR600	52	51–60	325iLK
Moserivetilbehør DT600	53	51–60	325iLK
Kultivatortilbehør CA230	54	51–60	325iLK
Stemplmaskintilbehør RA850	2	1–10	525iLK

³⁹ Dette er et spesifikt nummer på et godkjent tilbehør i en tilbehørsgruppe.

⁴⁰ De godkjente tilbehørene er delt inn i tilbehørsgrupper. Hver tilbehørsgruppe har lignende funksjoner og merker.

Samsvarserklæring

EU-samsvarserklæring

Vi, **Husqvarna AB**, SE-561 82 Huskvarna, Sverige, tlf.:
+46 36 146500, erklærer på eget ansvar at produktet:

Beskrivelse	Batteridrevet drivenhet (gresstrimmer)
Merke	Husqvarna
Type/modell	325iLK (bar enhet)
ID	Serienumre datert 2024 og senere

fullstendig overholder følgende EU-direktiver og
-forskrifter:

Direktiv/regulering	Beskrivelse
2006/42/EF	«angående maskiner»
2014/30/EMC	«angående elektromagnetisk kompatibilitet»
2011/65/EU	«angående restriksjoner for farlige stoffer»
2000/14/EC	«angående utendørsstøy»

og at følgende standarder eller tekniske
spesifikasjoner er anvendt: EN ISO
12100:2010, EN 62841-1:2015+AC:2015+A11:2022, EN
62841-4-2:2019+A11:2022+A1:2022, IEC 62841-4-4:
2020+A1:2024, IEC 62841-4-6:2022, ISO 11449:1994,
EN ISO 11680-1:2021, EN 61000-6-3:2007+A1:2011,
EN 61000-6-1:2016, EN IEC 63000:2018.



SMP Svensk Maskinprovning AB, Box 4053, SE-904
03 Umeå, Sweden har utført frivillig typeprøving i
samsvar med vedlegg IX i 2006/42/EF. Sertifikatnr.:
SEC/24/2593.

Kontrollorgan: SMP Svensk Maskinprovning AB, har
også bekreftet samsvar med vedlegg V i rådsdirektiv
2000/14/EF. Sertifikatnr.: 01/1610/013.

For informasjon som gjelder støyutslipp, kan du se
Tekniske data på side 68.

Huskvarna, 2024-02-01

Stefan Holmberg, FoU-direktør, teknologiledelse,
Husqvarna AB, Sverige

Ansvarlig for teknisk dokumentasjon

Sommaire

Introduction.....	71	Dépannage.....	81
Sécurité.....	72	Transport, entreposage et mise au rebut.....	82
Montage.....	78	Caractéristiques techniques.....	82
Utilisation.....	79	Accessoires.....	84
Entretien.....	80	Déclaration de conformité.....	85

Introduction

Utilisation prévue

Ce bloc d'alimentation est une unité de base qui fonctionne uniquement avec les accessoires

Aperçu du produit

(Fig. 1)

1. Manuel d'utilisation
2. Clé hexagonale de 4 mm
3. Poignée en anneau
4. Bouton
5. Bouton ON/OFF
6. Bouton de mode de vitesse
7. Blocage de la gâchette de puissance
8. Interface utilisateur
9. Gâchette de puissance
10. Chargeur de batterie (accessoire)
11. Témoin de charge et d'erreur du chargeur
12. Boutons de libération de la batterie
13. Batterie (accessoire)
14. Indicateur LED d'état de charge
15. LED d'avertissement
16. Indicateur de batterie
17. Raccord de fixation

Remarque: la batterie et le chargeur de batterie peuvent être différents selon les modèles.

Symboles concernant le produit

(Fig. 2)

AVERTISSEMENT ! Ce produit peut être dangereux ! une utilisation erronée ou négligente peut occasionner des blessures graves, voire mortelles, pour le conducteur ou une tierce personne. Il est donc extrêmement important de lire attentivement et de bien assimiler le contenu de ce manuel d'utilisation. Lisez attentivement le manuel d'utilisation et assurez-vous de bien comprendre les instructions avant d'utiliser le produit.

(Fig. 3) Débranchez la batterie avant l'entretien.

homologués. Vous trouverez une liste de ces accessoires homologués dans la section *Accessoires à la page 84*. Veillez à lire ce manuel en parallèle du manuel des accessoires homologués.

(Fig. 4) Tension nominale, V

(Fig. 5) Courant continu.

(Fig. 6) Le produit est conforme aux directives CE en vigueur.

(Fig. 7) Les symboles figurant sur le produit ou sur son emballage indiquent que ce produit ne peut pas être traité comme un déchet domestique ordinaire. Ce produit doit être remis à un centre de recyclage approprié.

(Fig. 8) Le produit est protégé contre les éclaboussures d'eau.

yyyywwxxxx

La plaque signalétique indique le numéro de série. **yyyy** est l'année de production, **ww** est la semaine de production et **xxxx** est le numéro séquentiel.

Remarque: Les autres symboles/autocollants présents sur le produit concernent des exigences de certification spécifiques à d'autres zones commerciales.

Symboles de conformité



Points de collecte sur www.quefairedemesdechets.fr
Privilégiez la réparation ou le don de votre appareil !

Ce produit est conforme aux directives applicables du décret français n° 2014-1577. Ne jetez pas ce produit dans les déchets ménagers. Il doit être mis au rebut conformément aux réglementations environnementales locales en vigueur.

Fabricant

Husqvarna AB

Drottninggatan 2, SE-561 82 Huskvarna, Sweden, tel: +46-36-146500

Endommagement du produit

Nous ne sommes pas responsables des dommages subis par le produit si :

- le produit n'est pas correctement réparé ;

- le produit est réparé avec des pièces qui ne proviennent pas du fabricant ou qui ne sont pas homologuées par le fabricant ;
- le produit est équipé d'un accessoire qui ne provient pas du fabricant ou qui n'est pas homologué par le fabricant ;
- le produit n'est pas réparé par un centre d'entretien agréé ou par une autorité homologuée.

Assistance

Pour obtenir de l'aide concernant le produit, rendez-vous dans la section Support du site afin d'accéder aux instructions, aux guides de dépannage ou pour utiliser le libre-service et l'assistant de produit Husqvarna (si disponibles sur votre marché). Pour obtenir de l'aide concernant le produit, contactez votre atelier d'entretien Husqvarna.

Sécurité

Définitions de sécurité

Des avertissements, des recommandations et des remarques sont utilisés pour souligner des parties spécialement importantes du manuel.



AVERTISSEMENT: Symbole utilisé en cas de risque de blessures ou de mort pour l'opérateur ou les personnes à proximité si les instructions du manuel ne sont pas respectées.



REMARQUE: Symbole utilisé en cas de risque de dommages pour le produit, d'autres matériaux ou les environs si les instructions du manuel ne sont pas respectées.

Remarque: Symbole utilisé pour donner des informations supplémentaires pour une situation donnée.

Consignes générales de sécurité relatives à l'outil à moteur



AVERTISSEMENT: Veillez à lire le manuel des accessoires homologués en parallèle de ce manuel de bloc d'alimentation.



AVERTISSEMENT: Lisez l'ensemble des avertissements de sécurité, des consignes, des illustrations et des spécifications fournies avec cet outil électrique. Le non-respect des consignes énumérées ci-dessous peut être à l'origine

d'un choc électrique, d'un incendie et/ou de blessures graves.

Remarque: Conservez toutes ces consignes et instructions pour toute consultation ultérieure. Le terme « outil électrique » utilisé dans les avertissements fait référence à l'outil branché sur secteur (fil) ou à l'outil alimenté par batterie (sans fil).

Sécurité dans la zone de travail

- **Maintenez une zone de travail propre et bien éclairée.** Les espaces encombrés ou sombres exposent à des accidents.
- **N'utilisez pas de machines dans des atmosphères explosives, par exemple, en présence de liquides, de gaz ou de poussières inflammables.** Les machines créent des étincelles qui peuvent provoquer l'inflammation de la poussière ou des vapeurs.
- **Maintenez les enfants et autres personnes à distance pendant le fonctionnement de la machine.** Les distractions peuvent être la cause d'une perte de contrôle de la machine.

Sécurité électrique

- **La fiche de la machine doit être adaptée à la prise de courant. N'apportez jamais de modifications à la fiche. N'utilisez pas de fiches adaptatrices avec des machines mises à la terre.** Des fiches non modifiées et des prises compatibles réduiront le risque d'électrocution.
- **Évitez tout contact physique avec les surfaces mises à la terre telles que les tuyaux, les radiateurs, les cuisinières et les réfrigérateurs.** Le risque d'électrocution est plus important si le corps est relié à la terre.

- **N'exposez pas les machines à la pluie ou à l'humidité.** La pénétration d'eau à l'intérieur de la machine augmente le risque de choc électrique.
- **Ne malmenez pas le cordon. N'utilisez jamais le cordon d'alimentation pour porter, tirer ou débrancher la machine.** Maintenez le cordon d'alimentation à l'écart de la chaleur, de l'huile, de bords tranchants ou de pièces en mouvement. Les cordons endommagés ou emmêlés augmentent le risque d'électrocution.
- **Lors du fonctionnement de la machine en extérieur, utilisez une rallonge appropriée pour une utilisation extérieure.** L'utilisation d'une rallonge prévue pour un usage en extérieur réduit le risque d'électrocution.
- **Si vous n'avez pas d'autre choix que d'utiliser la machine dans un endroit humide, utilisez une alimentation protégée par un disjoncteur différentiel de fuite à la terre (RCD).** L'utilisation d'un RCD réduit le risque de choc électrique.

Sécurité du personnel

- **Soyez attentif, restez concentré sur le travail en cours et utilisez la machine de manière raisonnable.** N'utilisez pas la machine si vous êtes fatigué ou sous l'influence de drogues, d'alcool ou de médicaments. Il suffit d'un moment d'inattention pendant le fonctionnement de la machine pour se blesser gravement.
- **Utilisez un équipement de protection individuel. Travaillez toujours avec des protections pour les yeux.** Les équipements de protection tels que les masques anti-poussière, les chaussures de sécurité antidérapantes, le casque ou les protège-oreilles utilisés dans les conditions appropriées réduisent les blessures corporelles.
- **Évitez tout démarrage intempestif. Assurez-vous que l'interrupteur est en position d'arrêt avant de brancher l'alimentation électrique et/ou la batterie, de saisir la machine ou de la transporter.** Il est dangereux de porter la machine en conservant le doigt sur l'interrupteur ou de brancher la machine à l'alimentation électrique alors que l'interrupteur est en position marche.
- **Retirez tout outil de réglage ou clé avant d'allumer la machine.** Un outil ou une clé relié à une pièce rotative de la machine peut causer des blessures.
- **Ne vous penchez pas trop loin. Restez toujours en équilibre et sur vos appuis.** Cela permet de mieux contrôler la machine dans des situations inattendues.
- **Habilitez-vous correctement. Ne portez jamais de vêtements amples ou de bijoux. Éloignez vos cheveux et vos vêtements des pièces mobiles.** Les vêtements amples, les bijoux et les cheveux longs peuvent rester coincés dans les pièces mobiles.
- **Si des dispositifs sont fournis pour raccorder des systèmes de collecte de la poussière et d'aspirateur industriel, vérifiez qu'ils sont correctement branchés et utilisés.** L'utilisation de systèmes d'aspirateurs peut réduire les risques associés à la poussière.
- **Ne vous donnez pas un faux sentiment de sécurité et ne passez pas outre les règles de sécurité des machines, même si vous êtes déjà familiarisé avec la machine après l'avoir beaucoup utilisée.** Une manipulation inattentive peut entraîner de graves blessures en une fraction de seconde.

Utilisation et entretien de la machine

- **Ne forcez pas en utilisant la machine. Utilisez la machine adaptée à votre travail.** La machine appropriée permettra de mieux réaliser la tâche, de manière plus sûre, au régime prévu.
- **N'utilisez pas la machine si l'interrupteur ne permet pas la mise sous tension et l'arrêt.** Toute machine qui ne peut pas être contrôlée par son interrupteur est dangereuse et doit être réparée.
- **Débranchez la fiche de la prise et/ou retirez la batterie, si celle-ci est amovible, avant de procéder aux réglages, de changer d'accessoires ou de ranger la machine.** De telles mesures préventives réduisent le risque de démarrage accidentel de la machine.
- **Rangez les machines non utilisées hors de portée des enfants. N'autorisez pas des personnes qui n'ont pas lu ces instructions et ne sont pas familières avec l'utilisation de la machine à se servir de celle-ci.** Les machines sont dangereuses entre les mains de personnes inexpérimentées.
- **Entretenez les machines et les accessoires. Vérifiez que les pièces mobiles sont correctement alignées et ne coïncent pas, qu'aucune pièce n'est cassée, et contrôlez l'absence de toute autre situation susceptible d'altérer le fonctionnement de la machine. En cas de dommages, faites réparer la machine avant de l'utiliser.** De nombreux accidents résultent d'un mauvais entretien des machines.
- **Maintenez les outils tranchants aiguisés et propres.** Des machines de coupe correctement entretenues, avec des bords tranchants aiguisés, sont moins susceptibles de se coincer et sont plus faciles à contrôler.
- **Utilisez la machine, les accessoires et les embouts, etc. conformément à ces instructions, en tenant compte des conditions de travail et de la tâche à réaliser.** L'utilisation de la machine pour des applications différentes de celles pour lesquelles elle a été conçue peut être la cause d'une situation dangereuse.
- **Les poignées et les surfaces de maintien doivent toujours être propres, sèches et sans traces d'huile ni de graisse.** Des poignées et surfaces de poignée glissantes ne permettent pas une utilisation et un contrôle sûrs de la machine en cas de situation imprévue.

Utilisation et entretien d'une machine à batterie

- **Ne rechargez la machine qu'avec le chargeur indiqué par le fabricant.** Un chargeur convenant à

un type de bloc de batteries particulier peut entraîner un risque d'incendie s'il est utilisé avec un autre bloc.

- **Utilisez uniquement les batteries prévues à cet effet dans les machines.** L'utilisation d'une autre batterie peut entraîner un risque de blessure et d'incendie.
- **Lorsque la batterie n'est pas utilisée, maintenez-la à distance d'objets métalliques, tels que des trombones, pièces de monnaie, clés, clous, vis, ou autres petits objets en métal risquant de relier une borne à l'autre.** Court-circuiter les bornes de batterie entraîne un risque de brûlures et d'incendie.
- **En cas d'utilisation abusive, du liquide peut s'échapper de la batterie ; évitez tout contact. En cas de contact accidentel, rincez à l'eau. En cas de contact avec les yeux, consultez un médecin.** Le liquide échappé de la batterie peut causer irritations et brûlures.
- **N'utilisez pas une batterie ou une machine endommagée ou altérée.** Les batteries endommagées ou altérées peuvent présenter un comportement imprévisible pouvant provoquer un incendie, une explosion ou un risque de blessure.
- **N'exposez pas une batterie ou une machine au feu ou à des températures trop élevées.** L'exposition au feu ou à des températures supérieures à 130 °C / 265 °F peut provoquer une explosion.
- **Respectez toutes les instructions de charge et ne chargez pas la batterie ou la machine en dehors de la plage de température spécifiée dans les instructions.** Ne pas charger la batterie correctement ou la charger à des températures comprises en dehors de la plage spécifiée peut endommager la batterie et augmenter le risque d'incendie.

Entretien

- **Confiez la réparation de votre machine à du personnel spécialisé et qualifié qui utilisera uniquement des pièces de rechange d'origine.** Cela garantit le maintien de la sécurité de la machine.
- **N'entretenez jamais des batteries endommagées.** L'entretien des batteries doit être effectué uniquement par le fabricant ou des fournisseurs de services agréés.

Autres consignes générales de sécurité

- Éteignez le produit lorsque vous vous déplacez dans une autre zone. Retirez toujours la batterie lorsque vous confiez le produit à un tiers.
- Ne posez jamais le produit au sol si vous ne l'avez pas éteint et si vous n'avez pas retiré la batterie. Ne laissez pas le produit sans surveillance quand il est sous tension.
- L'outil de coupe ne s'arrête pas immédiatement après l'arrêt du produit.
- En cas d'impact, vérifiez que le produit ne présente ni signe d'usure ni dommage et procédez aux réparations éventuellement nécessaires avant de l'utiliser à nouveau.

- Si un objet se bloque dans l'accessoire de coupe lorsque vous utilisez le produit, arrêtez et éteignez le produit. Assurez-vous que l'accessoire de coupe s'arrête complètement. Retirez la batterie avant de nettoyer, inspecter ou réparer le produit et/ou l'équipement de coupe.
- Effectuez un contrôle du produit avant toute utilisation. Reportez-vous aux sections *Dispositifs de sécurité sur le produit à la page 76* et *Entretien à la page 80*. N'utilisez pas de produit endommagé. Appliquez les instructions d'entretien ainsi que les contrôles de sécurité indiqués dans ce manuel.
- Un accessoire de coupe défectueux peut augmenter les risques d'accidents.
- Vérifiez que l'engrenage ne présente ni fissures ni saletés. Retirez l'herbe et les feuilles coincées dans l'engrenage à l'aide d'une brosse. Au besoin, utilisez des gants.
- Assurez-vous toujours de l'absence de débris dans les orifices de ventilation.
- Vérifiez que la tête de désherbage est parfaitement attachée au coupe-bordures.
- Tous les capots, toutes les protections et toutes les poignées doivent avoir été montés avant d'utiliser la machine.
- Vérifiez que le produit est en parfait état d'utilisation. Contrôler que tous les écrous et boulons sont correctement serrés.
- Contrôlez la tête de désherbage et le carter de protection afin de détecter d'éventuels dommages ou fissures. Remplacez la tête de désherbage ou le carter de protection si l'un ou l'autre a subi des impacts ou présente des fissures. Utilisez toujours la protection recommandée prévue pour l'équipement de coupe utilisé. Reportez-vous à la section *Caractéristiques techniques à la page 82*.
- Ce produit est un outil dangereux si vous ne faites pas attention ou si vous l'utilisez de manière incorrecte. Ce produit peut causer des blessures graves, voire mortelles, à l'opérateur ou à d'autres personnes.
- Cet appareil n'est pas destiné à une utilisation par des personnes (ou des enfants) aux capacités physiques, sensorielles ou mentales limitées ou manquant d'expérience et de connaissances, sauf si elles bénéficient de la surveillance ou des instructions concernant l'utilisation de l'appareil de la part d'une personne responsable de leur sécurité. Il convient de surveiller les enfants et de les empêcher de jouer avec l'appareil.
- Ne laissez jamais des enfants utiliser le produit ou s'en approcher. Dans la mesure où la machine est facile à démarrer, il est possible que des enfants arrivent à la mettre en route lorsque vous les quittez des yeux. Ceci peut entraîner un risque de graves blessures corporelles. Retirez donc la batterie lorsque vous n'êtes pas en mesure de surveiller la machine de près.

- Ne laissez jamais des enfants ou d'autres personnes ne possédant pas la formation requise utiliser ou entretenir le produit et/ou sa batterie.
- Entrez l'équipement dans un lieu verrouillable à clé de façon à ce qu'il soit inaccessible aux enfants et aux personnes non autorisées.
- Utilisez toujours la protection de transport pour le rangement et le transport.
- Maintenez vos mains et vos pieds à distance de la zone de coupe en toutes circonstances, et particulièrement au moment où vous allumez le moteur.
- Éloignez vos mains et vos pieds de l'accessoire de coupe jusqu'à son arrêt complet, une fois le produit éteint.
- Ne retirez pas la matière coupée ou laissez d'autres personnes le faire lorsque le moteur est en marche ou que l'équipement de coupe tourne pour éviter les blessures graves.
- N'oubliez pas que c'est vous, l'opérateur, qui êtes responsable de protéger les tiers et leurs biens de tout accident ou danger.
- Ne modifiez jamais le produit sans l'autorisation du fabricant. Utilisez uniquement des accessoires d'origine. Des modifications non autorisées et/ou l'emploi d'accessoires non homologués peuvent provoquer des accidents graves, voire mortels, à l'opérateur ou d'autres personnes. Il est possible que votre garantie ne couvre pas les responsabilités ou dommages associés à l'utilisation d'accessoires ou de pièces de rechange non autorisés.
- Les seuls accessoires compatibles avec ce produit sont les accessoires de coupe recommandés dans le chapitre des accessoires. Reportez-vous à la section *Accessoires à la page 84*.
- N'utilisez jamais un produit qui a été modifié au point de ne plus être conforme aux spécifications d'origine.
- N'utilisez jamais un produit s'il est défectueux. Suivez les instructions de maintenance et d'entretien ainsi que les contrôles de sécurité indiqués dans ce manuel. Certaines opérations de maintenance et d'entretien doivent être réalisées par un spécialiste dûment formé et qualifié. Voir les instructions à la section Entretien.
- Travailler par mauvais temps est cause de fatigue et peut être dangereux. Il n'est pas recommandé d'utiliser la machine dans de très mauvaises conditions météorologiques, par exemple, en cas de brouillard épais, de forte pluie, de vent violent, de froid intense ou de risque de foudre, etc., car ces conditions constituent des facteurs de risque supplémentaires.
- Ne travaillez jamais sur une échelle, un tabouret, ou dans toute autre position élevée qui n'est pas entièrement stable.
- Stockez les appareils non utilisés à l'intérieur : lorsqu'ils ne sont pas utilisés, les appareils doivent être stockés à l'intérieur.
- Il est impossible de prévoir toutes les situations que vous pouvez rencontrer. Soyez toujours prudent et utilisez votre bon sens. Évitez les situations que vous n'êtes pas sûr de maîtriser. Si, après avoir lu ces instructions, vous n'êtes toujours pas sûr de la procédure à suivre, demandez conseil à un expert avant de poursuivre.
- Assurez-vous qu'aucune personne ou aucun animal ne se trouve à moins de 50 pieds (15 mètres) de votre zone de travail. Lorsque plusieurs opérateurs travaillent dans une même zone, il convient d'observer une distance de sécurité d'au moins 50 pieds (15 mètres). Dans le cas contraire, il existe un risque de blessures graves. Arrêtez immédiatement le produit si une personne s'approche. Ne tournez jamais sur vous-même avec le produit sans vous assurer d'abord que personne ne se trouve dans la zone de sécurité.
- Assurez-vous qu'aucune personne, aucun animal ou autre objet ne peut faire obstacle à votre contrôle du produit ou entrer en contact avec l'accessoire de coupe ou des objets projetés par celui-ci. Cependant, n'utilisez pas le produit s'il n'est pas possible d'appeler au secours en cas d'accident.
- Assurez-vous de pouvoir vous tenir debout et vous déplacer en toute sécurité. Repérez les éventuels obstacles (racines, pierres, branches, fossés, etc.) en cas de déplacement soudain. Observez la plus grande prudence lorsque vous travaillez sur des terrains en pente.
- Marchez, ne courez jamais.
- Inspecter la zone de travail. Retirez tous les objets tels que les pierres, les morceaux de verre, les clous, les fils de fer, les bouts de ficelle, etc. pouvant être projetés ou risquant de s'enrouler autour de la lame ou de sa protection.
- Attention aux éclats de bois pouvant être projetés durant le sciage. Ne coupez pas trop près du sol, où des cailloux et d'autres objets peuvent être projetés.
- Vérifiez qu'aucun vêtement et qu'aucune partie du corps n'entre en contact avec l'accessoire de coupe lorsque le produit est en marche. Tenez le produit au-dessous de la taille.
- Attention aux objets projetés. Portez toujours des protections pour les yeux homologuées. Ne jamais se pencher au-dessus de la protection de l'équipement de coupe. Des cailloux, débris, etc. peuvent être projetés dans les yeux et causer des blessures très graves, voire la cécité.
- Soyez toujours attentif aux signaux d'avertissement ou aux cris lorsque vous portez des protège-oreilles. Enlevez toujours vos protège-oreilles dès que le produit s'arrête.
- En cas de vibrations indésirables, tapez pour faire sortir plus de fil. Une longueur correcte de fil permet de faire cesser les vibrations.
- Si le produit commence à vibrer de façon anormale, arrêtez-le et retirez la batterie.
- Une exposition excessive aux vibrations peut entraîner des troubles circulatoires ou nerveux chez

les personnes souffrant de problèmes de circulation. Consultez un médecin en cas de symptômes liés à une exposition excessive aux vibrations. Voici les symptômes possibles : engourdissement, perte de sensibilité, chatouillements, picotements, douleur, faiblesse musculaire, décoloration ou modification épidermique. Ces symptômes affectent généralement les doigts, les mains ou les poignets.

- Tenez toujours le produit à deux mains. Tenez l'appareil du côté droit du corps.

Équipement de protection individuel



AVERTISSEMENT: Lisez les instructions qui suivent avant d'utiliser le produit.

- Portez toujours un équipement de protection individuel homologué lorsque vous utilisez le produit. L'équipement de protection individuel ne protège pas complètement des blessures, mais il diminue la gravité des blessures en cas d'accident. Faites appel à votre revendeur pour vous aider à sélectionner l'équipement adéquat.
- Portez un casque de protection lorsqu'il y a un risque de chute d'objets.
- Portez des protège-oreilles homologués ayant un effet atténuateur suffisant. Une exposition prolongée au bruit risque de causer des lésions auditives permanentes.
- Utilisez des protections pour les yeux homologuées. L'usage d'une visière doit toujours s'accompagner du port de lunettes de protection homologuées. Les lunettes de protection doivent être conformes aux normes ANSI Z87.1 (États-Unis) ou EN 166 (pays de l'UE).
- Utilisez une visière pour vous protéger le visage. La visière ne suffit pas à protéger les yeux.

(Fig. 9)

- Portez des gants de protection en cas de besoin, par exemple lorsque vous fixez, examinez ou nettoyez l'équipement de coupe.
- Portez des bottes antidérapantes et stables.
- Portez des vêtements fabriqués dans un matériau résistant. Portez toujours des pantalons longs, épais et des manches longues. Ne portez pas de vêtements amples qui risqueraient de se prendre dans les brindilles et les branches. Ne portez pas de bijoux, de shorts, de sandales et ne marchez pas pieds nus. Attachez vos cheveux de façon sécurisée au-dessus de vos épaules.

(Fig. 10)

- Gardez toujours une trousse de premiers soins à portée de main.

(Fig. 11)

Dispositifs de sécurité sur le produit



AVERTISSEMENT: lisez les instructions qui suivent avant d'utiliser le produit.

Cette section présente les fonctions de sécurité, les instructions d'utilisation, de contrôle et d'entretien du produit afin de garantir son bon fonctionnement. Reportez-vous aux instructions ci-dessous *Introduction à la page 71* pour trouver l'emplacement de ces pièces sur votre produit.

La durée de vie du produit risque d'être écourtée et le risque d'accidents accru si l'entretien du produit n'est pas effectué correctement et si les mesures d'entretien et/ou de réparation ne sont pas effectuées de manière professionnelle. Pour plus d'informations, contactez l'atelier de réparation du revendeur le plus proche.



AVERTISSEMENT: N'utilisez jamais un produit dont les équipements de sécurité sont endommagés. Contrôlez et entretenez les équipements de sécurité du produit conformément aux instructions données dans ce chapitre. Si les contrôles du produit ne donnent pas de résultat positif, contactez votre atelier spécialisé pour le faire réparer.



REMARQUE: L'entretien et la réparation de la machine exigent une formation spéciale. Ceci concerne particulièrement l'équipement de sécurité de la machine. Si les contrôles suivants ne donnent pas un résultat positif, adressez-vous à un atelier spécialisé. L'achat de l'un de nos produits offre à l'acheteur la garantie d'un service et de réparations qualifiés. Si le point de vente n'assure pas ce service, adressez-vous à l'atelier spécialisé le plus proche.

Pour contrôler l'interface utilisateur

1. Maintenez le bouton ON/OFF (A) enfoncé. (Fig. 12)
 - a) Le produit est sous tension lorsque l'écran (B) s'allume.
 - b) Le produit est hors tension lorsque l'écran s'éteint.
2. Si le témoin d'avertissement sur l'écran est allumé ou clignote, reportez-vous à la section *Clavier à la page 81*.

Contrôle du blocage de la gâchette de puissance

Le blocage de la gâchette de puissance est conçu pour empêcher tout fonctionnement accidentel. Lorsque vous appuyez sur le blocage de la gâchette de puissance

vers l'avant (A), puis que vous appuyez sur le blocage de la gâchette de puissance contre la poignée (B), la gâchette de puissance (C) est relâchée. Lorsque vous relâchez la poignée, la gâchette de puissance et son blocage reviennent en position initiale. Ce mouvement s'effectue grâce à trois ressorts indépendants l'un de l'autre.

(Fig. 13)

1. Assurez-vous que la gâchette de puissance est verrouillée quand son blocage est en position d'origine. (Fig. 14)
2. Appuyez sur le blocage de la gâchette de puissance vers l'avant (A) et vers le bas. Maintenez le blocage de la gâchette de puissance contre la poignée (B) et vérifiez qu'il revient en position initiale quand il est relâché. (Fig. 15)
3. Assurez-vous que la gâchette de puissance et le blocage de la gâchette de puissance se déplacent librement et que les ressorts de rappel fonctionnent correctement. (Fig. 16)
4. Maintenez le bouton ON/OFF enfoncé pour allumer le produit.
5. Appuyez sur le blocage de la gâchette de puissance au maximum, afin d'appliquer le plein régime.
6. Lâchez la gâchette de puissance et assurez-vous que l'accessoire de coupe s'arrête et reste immobile.

Consignes de sécurité pour l'assemblage



AVERTISSEMENT: Lisez le manuel du bloc d'alimentation en parallèle du manuel des accessoires homologués.

- Retirez la batterie du produit avant d'assembler le produit.
- Utilisez les gants de protection homologués.
- Une protection endommagée ou incorrecte peut provoquer des blessures. N'utilisez pas un accessoire de coupe qui ne dispose pas de protection homologuée.
- Assurez-vous d'assembler le carter et l'arbre correctement avant de démarrer le produit.
- Si un harnais est fourni avec l'accessoire, il doit être correctement fixé au produit. Le harnais permet une utilisation sûre et empêche tout risque de blessure pour l'opérateur ou d'autres personnes.

Consignes de sécurité relatives à l'utilisation de la batterie



AVERTISSEMENT: lisez les instructions qui suivent avant d'utiliser le produit.

- N'utilisez que des batteries Husqvarna homologuées. Reportez-vous à la section *Batteries*

homologuées à la page 83. Les batteries sont codées par logiciel.

- Utilisez des batteries Husqvarna homologuées en tant que source d'alimentation pour les produits Husqvarna correspondants uniquement. Afin d'éviter toute blessure, n'utilisez pas la batterie comme source d'alimentation pour d'autres produits.
- Risque de choc électrique. Ne branchez pas les bornes de la batterie à des clés, des pièces de monnaie, des vis ou tout autre élément métallique. Cela peut provoquer un court-circuit de la batterie.
- N'utilisez pas de batteries non rechargeables.
- Ne placez pas d'objets dans les fentes d'aération de la batterie.
- Protégez la batterie des rayons directs du soleil, de la chaleur et des flammes nues. La batterie peut provoquer des brûlures et/ou des brûlures chimiques.
- Protégez la batterie de la pluie et de l'humidité.
- Protégez la batterie des micro-ondes et des hautes pressions.
- N'essayez pas de démonter ou de casser la batterie.
- En cas de fuite de la batterie, ne laissez pas le liquide entrer en contact avec votre peau ou vos yeux. Si vous avez touché le liquide, nettoyez la zone avec beaucoup d'eau claire et du savon, puis contactez un médecin. Si vous recevez du liquide dans les yeux, ne frottez pas mais rincez à l'eau pendant au moins 15 minutes et contactez un médecin.
- Utilisez la batterie à une température comprise entre -10 °C (14 °F) et 40 °C (114 °F).
- Ne nettoyez pas la batterie ou le chargeur de batterie avec de l'eau. Reportez-vous à la section *Pour nettoyer le produit, la batterie et le chargeur de batterie à la page 81.*
- N'utilisez pas une batterie endommagée ou qui ne fonctionne pas correctement.
- Conservez les batteries en stock à distance des objets métalliques, tels que les clous, les vis ou les bijoux.
- Tenez la batterie hors de portée des enfants.

Consignes de sécurité relatives au chargeur de batterie



AVERTISSEMENT: lisez les instructions qui suivent avant d'utiliser le produit.

- Risque de choc électrique ou de court-circuit si les instructions de sécurité ne sont pas respectées.
- n'utilisez pas d'autres chargeurs de batterie que celui fourni pour votre produit. Utilisez uniquement des chargeurs de batterie Husqvarna homologués pour charger les batteries Husqvarna homologuées. Reportez-vous à la section *Caractéristiques*

techniques à la page 82 pour connaître les instructions.

- N'essayez pas de démonter le chargeur de batterie.
- N'utilisez pas un chargeur de batterie endommagé ou qui ne fonctionne pas correctement.
- Ne soulevez pas le chargeur de batterie par le cordon d'alimentation. Pour débrancher le chargeur de batterie d'une prise de courant murale, tirez sur la fiche. Ne tirez pas le cordon d'alimentation.
- Conservez tous les câbles et toutes les rallonges loin de l'eau, de l'huile et des bords tranchants. Veillez à ce que le câble ne soit pas coincé dans des objets tels que des portes, des clôtures ou tout autre équipement similaire.
- N'utilisez pas le chargeur de batterie à proximité de matériaux inflammables ou de matériaux pouvant provoquer la formation de corrosion. Assurez-vous que le chargeur de batterie n'est pas couvert. En cas de dégagement de fumée ou de début d'incendie, débranchez aussitôt la fiche reliée au chargeur de batterie.
- Rechargez la batterie uniquement en intérieur, dans un endroit bien aéré et à l'abri de la lumière. Ne chargez pas la batterie à l'extérieur. Ne rechargez pas la batterie dans des conditions humides.
- Utilisez le chargeur de batterie à une température comprise entre 5 °C (41 °F) et 40 °C (104 °F) uniquement. Utilisez le chargeur dans un environnement bien ventilé, sec et exempt de poussière.
- Ne placez pas d'objets dans les fentes de refroidissement du chargeur de batterie.
- Ne raccordez pas les bornes du chargeur de batterie à des objets métalliques car cela peut court-circuiter le chargeur de batterie.
- Utilisez des prises de courant murales homologuées et non endommagées. Assurez-vous que le câble du

chargeur de batterie n'est pas endommagé. Si des câbles de rallonge sont utilisés, assurez-vous que ceux-ci ne sont pas endommagés.

Consignes de sécurité pour l'entretien



AVERTISSEMENT: Lisez les instructions qui suivent avant d'effectuer l'entretien du produit.

- Retirez la batterie avant tout entretien, contrôle ou assemblage du produit.
- L'utilisateur ne doit effectuer que les travaux de maintenance et d'entretien décrits dans ce manuel d'utilisation. Adressez-vous à votre revendeur pour toute opération de maintenance et d'entretien de plus grande ampleur.
- Ne nettoyez pas la batterie ou le chargeur de batterie avec de l'eau. L'utilisation de détergents agressifs peut endommager le plastique.
- Un défaut d'entretien réduit le cycle de vie du produit et augmente le risque d'accidents.
- Une formation spéciale est nécessaire pour tous les travaux d'entretien et de réparation, en particulier pour les dispositifs de sécurité sur le produit. Si tous les contrôles spécifiés dans ce manuel d'utilisation ne sont pas validés après l'entretien, consultez votre revendeur. Nous garantissons la disponibilité d'un service de réparation et d'entretien professionnel pour votre produit.
- Utilisez uniquement les pièces de rechange d'origine.
- Portez toujours des gants de protection robustes lorsque vous réparez l'accessoire de coupe. Les lames sont très tranchantes et peuvent aisément causer des blessures.

Montage

Montage de la poignée en anneau

1. Fixez la poignée en anneau sur l'arbre entre les flèches. Ne placez pas la poignée en boucle ou l'œillet de suspension sur l'étiquette. (Fig. 17)
2. Insérez l'entretoise dans la rainure de la poignée en anneau.
3. Fixez l'écrou, le bouton et la vis, sans serrer.
4. Ajustez le produit dans une position confortable.
5. Serrez le boulon.

Pour monter le tube de transmission démontable

1. Tournez le bouton pour desserrer le raccord. (Fig. 18)
2. Alignez la languette (A) sur la flèche (B) du raccord. (Fig. 19)

3. Insérez l'arbre dans le raccord jusqu'à ce qu'un dé clic indique qu'il est bien en place. (Fig. 20)
4. Serrez complètement le bouton. (Fig. 21)

Pour démonter le tube de transmission démontable

1. Tournez le bouton sur 3 tours pour desserrer le raccord. (Fig. 22)
2. Appuyez sur le bouton (C) et maintenez-le enfoncé.
3. Tenez fermement l'extrémité de l'arbre auquel le moteur est fixé.
4. Tirez l'accessoire pour le sortir du raccord. (Fig. 23)

Pour installer l'œillet de suspension, le cas échéant

1. Installez l'œillet de suspension entre les flèches sur la poignée arrière et la poignée en anneau. (Fig. 24)

Remarque: ne placez pas la poignée en anneau sur l'autocollant.

2. Réglez l'œillet pour équilibrer le produit et faciliter son utilisation.

Utilisation

Introduction



AVERTISSEMENT: Assurez-vous de lire et de comprendre le chapitre dédié à la sécurité avant d'utiliser l'appareil.

Husqvarna Connect

Husqvarna Connect est une application gratuite pour votre appareil mobile. L'application Husqvarna Connect offre des fonctions étendues à votre produit Husqvarna.

- Informations produit détaillées.
- Informations et aide sur les pièces et l'entretien du produit.

Pour commencer à utiliser Husqvarna Connect

1. Téléchargez l'application Husqvarna Connect sur votre appareil mobile.
2. Enregistrez-vous sur l'application Husqvarna Connect.
3. Suivez les instructions de l'application Husqvarna Connect pour vous connecter et enregistrer le produit.

Remarque: L'application Husqvarna Connect n'est pas disponible au téléchargement sur tous les marchés. Pour davantage d'informations, contactez votre atelier d'entretien.

Pour fixer la batterie au produit



AVERTISSEMENT: utilisez uniquement des batteries d'origine Husqvarna avec le produit.

1. Assurez-vous que la batterie est complètement chargée.
2. Poussez la batterie dans le support de batterie du produit. La batterie est verrouillée en position lorsqu'un « clic » est émis. (Fig. 25)



REMARQUE: si la batterie ne bouge pas facilement dans son support, c'est qu'elle n'est pas installée correctement. Cela peut endommager le produit.

3. Assurez-vous que la batterie est correctement installée.

Pour charger la batterie

Remarque: chargez la batterie si vous l'utilisez pour la première fois. Une batterie neuve n'est chargée qu'à 30 %.

1. Assurez-vous que la batterie est sèche.
2. Placez la batterie dans le chargeur de batterie. (Fig. 26)

Remarque: la batterie et le chargeur de batterie peuvent être différents selon les modèles, mais la procédure est identique.

3. Assurez-vous que le témoin de charge vert du chargeur de batterie s'allume. La présence de ce témoin signifie que la batterie est correctement connectée au chargeur de batterie.
4. La batterie est totalement rechargée quand toutes les LED sur la batterie sont allumées. (Fig. 27)
5. Pour débrancher le chargeur de batterie de la prise de courant murale, tirez sur la fiche. Ne tirez pas sur le câble.
6. Dégagez la batterie du chargeur de batterie.

Remarque: reportez-vous aux manuels de la batterie et du chargeur de batterie pour plus d'informations.

Position de travail

- Tenez l'appareil avec les deux mains.
- Tenez l'appareil du côté droit du corps.
- L'équipement de coupe doit se trouver sous la taille de l'utilisateur.
- Maintenez toutes les parties du corps à l'écart des surfaces chaudes.
- Maintenez toutes les parties du corps à l'écart de l'accessoire de coupe.

Avant d'utiliser le produit

- Examinez la zone de travail pour vous assurer que vous connaissez le type de terrain, l'inclinaison du sol et s'il y a des obstacles tels que des pierres, des branches et des fossés.
- Effectuez une inspection générale du produit.

- Effectuez les inspections de sécurité, de maintenance et d'entretien indiquées dans ce manuel.
- Assurez-vous que tous les capots, protections, poignées et accessoires sont correctement fixés et qu'ils ne sont pas endommagés.

Pour démarrer le produit

1. Maintenez le bouton ON/OFF enfoncé jusqu'à ce que la LED verte s'allume. (Fig. 28)
2. Utilisez la gâchette de puissance pour contrôler la vitesse.

Pour limiter la vitesse maximale à l'aide du bouton de mode

Ce produit est équipé d'un bouton de mode. Le bouton de mode permet à l'opérateur de limiter la vitesse maximale. Le bouton de mode dispose de 3 niveaux de vitesse. Un niveau inférieur augmente le temps de fonctionnement du produit. Le bouton de mode dispose de 3 niveaux de vitesse. Un niveau inférieur augmente le temps de fonctionnement du produit. Utilisez les

niveaux 1 et 2 si le fonctionnement n'exige pas une vitesse ou une puissance maximale. Si la condition de fonctionnement exige une vitesse ou une puissance maximale, utilisez le niveau 3. N'utilisez pas un niveau plus élevé que nécessaire pour le fonctionnement.

1. Appuyez sur le bouton de mode pour définir une limite de vitesse maximale. Les LED blanches s'allument pour indiquer que la fonction est activée. (Fig. 29)
2. Appuyez de nouveau sur le bouton de mode pour sélectionner le prochain niveau de vitesse.

Fonction d'arrêt automatique

Le produit est doté d'une fonction d'arrêt automatique qui l'arrête si vous ne l'utilisez pas pendant 3 minutes.

Pour arrêter le produit

1. Relâchez la gâchette de puissance ou son blocage.
2. Appuyez sur le bouton ON/OFF. (Fig. 30)
3. Appuyez sur les boutons de déverrouillage de la batterie et sortez la batterie. (Fig. 31)

Entretien

Introduction



AVERTISSEMENT: Avant d'effectuer des travaux d'entretien, vous devez lire et comprendre le chapitre sur la sécurité.

La liste ci-dessous indique les étapes d'entretien à effectuer sur le produit. En plus des entretiens spécifiés dans le programme d'entretien, confiez votre produit à un atelier d'entretien Husqvarna afin qu'il procède à des entretiens réguliers. Pour plus d'informations sur les intervalles d'entretien, contactez votre atelier d'entretien Husqvarna.

Calendrier d'entretien



AVERTISSEMENT: Retirez la batterie avant d'effectuer l'entretien.

Entretien	Tous les jours	Toutes les semaines	Mensuel
Nettoyez les pièces externes du produit avec un chiffon sec. N'utilisez pas d'eau.	X		
Assurez-vous que le bouton d'alimentation fonctionne correctement et n'est pas endommagé.	X		
Vérifiez que la gâchette de puissance et son blocage fonctionnent en toute sécurité.	X		
Assurez-vous que toutes les commandes fonctionnent et ne sont pas endommagées.	X		
Nettoyez les poignées pour qu'elles restent toujours propres, sèches et exemptes d'huile et de graisse.	X		
Assurez-vous que les vis et les écrous sont serrés.	X		

Entretien	Tous les jours	Toutes les semaines	Mensuel
Assurez-vous que les boutons de déverrouillage de la batterie fonctionnent et verrouillent la batterie au produit.	X		
Assurez-vous que la batterie n'est pas endommagée.	X		
Assurez-vous que la batterie est chargée.	X		
Assurez-vous que le chargeur de batterie n'est pas endommagé et qu'il fonctionne correctement.	X		
Vérifiez tous les câbles, tous les raccords et toutes les connexions. Assurez-vous qu'ils ne sont pas endommagés et qu'ils sont propres.		X	
Contrôlez les connexions entre la batterie et le produit. Contrôlez la connexion entre la batterie et le chargeur de batterie.			X

Pour nettoyer le produit, la batterie et le chargeur de batterie

1. Nettoyez le produit avec un chiffon sec après utilisation.
2. Nettoyez la batterie et le chargeur de batterie avec un chiffon sec. Veillez à maintenir les rails guides de la batterie en parfait état de propreté.
3. Assurez-vous que les bornes de la batterie et du chargeur de batterie sont propres avant d'insérer la batterie dans le chargeur ou le produit.

Tube de transmission démontable

Appliquez de la graisse sur l'extrémité de l'arbre d'entraînement après toutes les 30 heures de fonctionnement. À défaut de graissage régulier, les extrémités de l'arbre d'entraînement sur les modèles démontables (raccords cannelés) risqueraient de gripper. (Fig. 32)

Dépannage

Clavier

Affichage à LED	Défaillances possibles	Action possible
La DEL verte clignote	Tension de batterie faible.	Rechargez la batterie.
La DEL d'erreur rouge clignote	Surcharge.	L'accessoire de coupe est coincé. Éteignez le produit. Retirez la batterie. Nettoyez l'accessoire de coupe des matériaux indésirables.
	Écart de température.	Laissez le produit refroidir.
	Il convient d'appuyer simultanément sur la gâchette de puissance et le bouton d'activation.	Relâchez la gâchette de puissance pour activer le produit.
Le produit ne démarre pas	Connecteurs de batterie encrassés.	Nettoyez les connecteurs de batterie avec de l'air comprimé ou une brosse douce.
La DEL d'erreur s'allume en rouge	Le produit doit faire l'objet d'un entretien.	Contactez votre atelier spécialisé.

Transport, entreposage et mise au rebut

Transport et stockage

- Les batteries Li-Ion fournies respectent les exigences de la législation sur les marchandises dangereuses.
- Vous devez respecter l'exigence spécifique relative à l'emballage et aux étiquettes pour le transport commercial, y compris par des tiers et des transitaires.
- Consultez un expert en matières dangereuses avant d'expédier le produit. Respectez les lois nationales en vigueur.
- Mettez du ruban adhésif sur les contacts lorsque vous placez la batterie dans un emballage. Placez la batterie dans l'emballage de façon hermétique pour empêcher tout mouvement.
- Retirez la batterie lors du stockage ou du transport.
- Placez la batterie et le chargeur de batterie dans un endroit sec, à l'abri de l'humidité et du gel.
- Ne conservez pas la batterie dans un endroit présentant un risque d'électricité statique. Ne conservez pas la batterie dans une boîte métallique.
- Conservez la batterie dans un endroit où la température est comprise entre 5 °C (41 °F) et 25 °C (77 °F) et à l'abri de la lumière du soleil.
- Conservez le chargeur de batterie dans un endroit où la température est comprise entre 5 °C (41 °F) et 45 °C (113 °F) et à l'abri de la lumière du soleil.
- N'utilisez le chargeur de batterie que si la température ambiante est comprise entre 5 °C (41 °F) et 40 °C (104 °F).

- Chargez la batterie entre 30 % et 50 % avant de la remettre pendant des périodes prolongées.
- Conservez le chargeur de batterie dans un local fermé et sec.
- Conservez la batterie à l'écart du chargeur lors du rangement. Ne laissez pas des enfants ou d'autres personnes non autorisées toucher l'équipement. Conservez l'équipement dans un local verrouillable.
- Nettoyez le produit et effectuez un entretien complet avant de remettre le produit pendant des périodes prolongées.
- Utilisez la protection de transport du produit pour éviter les blessures et les dégâts causés au produit lors du transport et du remisage.
- Fixez le produit pour le transporter.

Mise au rebut de la batterie, du chargeur de batterie et du produit

Les symboles figurant sur le produit ou son emballage indiquent que ce produit ne fait pas partie des ordures ménagères. Déposez-le dans une station de recyclage pour équipements électriques et électroniques. Ceci permet d'éviter les dangers pour l'environnement et les personnes.

Contactez les autorités locales, le service des ordures ménagères ou votre revendeur pour plus d'informations sur le recyclage de votre produit.

Caractéristiques techniques

Caractéristiques techniques

	325iLK
Moteur	
Type de moteur	BLDC (sans balais) 36 V
Régime de l'arbre de sortie, 1/min	8 400
Poids	
Poids (bloc d'alimentation seul), kg	2,9

	325ILK
Émissions sonores ^{41, 42}	
Niveau de puissance acoustique mesuré, dB (A)	89-103
Niveau de puissance acoustique garanti L_{WA} dB (A)	90-106
Niveaux sonores ^{43, 44}	
Niveau de pression sonore équivalent à l'oreille de l'utilisateur, mesuré selon la norme EN 62841-1, dB (A) :	78-93
Niveaux de vibrations ^{45, 46}	
Niveaux de vibrations au niveau des poignées, mesurés selon la norme EN 62841-1, m/s^2	1,3-5,5/1,1-3,1

Batteries homologuées

Batterie	BLi200	40-B220X
Type	Lithium-ion	Lithium-ion
Capacité de la batterie, Ah	5,2	6,0
Tension nominale, V	36	36
Poids, kg (livres)	1,3 (2,9)	1,4 (3,1)

Chargeurs de batterie homologués

Chargeur de batterie	QC330	40-C500X
Tension d'entrée, V	100-240	100-240
Fréquence, Hz	50-60	50-60
Puissance, W	330	500

⁴¹ Émissions sonores dans l'environnement mesurées comme puissance acoustique (LWA) selon la directive européenne CE 2000/14/CE. Le niveau de puissance sonore reporté pour la machine a été mesuré avec l'accessoire de coupe d'origine qui atteint le niveau le plus élevé. La différence entre le niveau de puissance sonore garanti et le niveau mesuré réside dans le fait que le niveau garanti prend également en compte la dispersion et les variations d'une machine à l'autre du même modèle, conformément à la directive 2000/14/CE.

⁴² La plage de niveau sonore indique les valeurs mesurées les plus faible et plus élevée.

⁴³ Les données reportées pour le niveau de pression acoustique de la machine ont une dispersion statistique typique (déviatoin standard) de 3 dB (A) et ont été mesurées avec l'équipement d'origine qui donne le niveau le plus élevé.

⁴⁴ La plage de niveau sonore indique les valeurs mesurées les plus faible et plus élevée.

⁴⁵ Les données reportées pour le niveau de vibrations montrent une dispersion statistique typique (déviatoin standard) de 2 m/s^2 . Pour comparer les niveaux de vibrations, la batterie et les produits de combustion, utilisez le calculateur de vibrations. <https://www.husqvarna.com/uk/services-solutions/vibration-calculator/>.

⁴⁶ La plage de niveau sonore indique les valeurs mesurées les plus faible et plus élevée.

Accessoires

Accessoires

Accessoires approuvés	Numéro d'accessoire ⁴⁷	Groupe d'accessoires ⁴⁸	À utiliser avec
Accessoire pour débroussailleuse BCA850	1	1-10	325iLK
Accessoire pour souffleur BA101	11	11-20	325iLK
Accessoire pour tranche-bordure ECA850	21	21-30	325iLK
Accessoire pour tranche-bordure ESA850	22	21-30	325iLK
Accessoire pour taille-haies HA860	32	31-40	325iLK
Accessoire pour élagueuse sur perche PAX730	41	41-50	325iLK
Accessoire pour élagueuse sur perche PAX1100	42	41-50	325iLK
Accessoire pour scie PA1100	43	41-50	325iLK
Accessoire pour balayeuse SR600-2	51	51-60	325iLK
Accessoire pour brosse à picots BR600	52	51-60	325iLK
Accessoire pour aérateur de pelouse DT600	53	51-60	325iLK
Accessoire pour motoculteur CA230	54	51-60	325iLK
Accessoire pour réciprocatteur RA850	2	1-10	525iLK

⁴⁷ Il s'agit du numéro spécifique d'un accessoire homologué au sein d'un groupe d'accessoires.

⁴⁸ Les accessoires homologués sont répartis en groupes d'accessoires. Chaque groupe d'accessoires possède des fonctions et des autocollants similaires.

Déclaration de conformité

Déclaration de conformité UE

Nous, **Husqvarna AB**, SE-561 82 Huskvarna, Suède,
tél : +46-36-146500, déclarons sous notre entière
responsabilité que le produit :

Description	Bloc d'alimentation sur batterie (coupe-bordures)
Marque	Husqvarna
Type/Modèle	325iLK (unité de base)
Identification	Les numéros de série à partir de 2024 et ultérieurs

est entièrement conforme à la réglementation et aux
directives de l'UE suivantes :

Directive/Réglementation	Description
2006/42/CE	« relative aux machines »
2014/30/EMC	« relative à la compatibilité électromagnétique »
2011/65/UE	« relative à la limitation de l'utilisation de certaines substances dangereuses »
2000/14/EC	« relative au bruit extérieur »

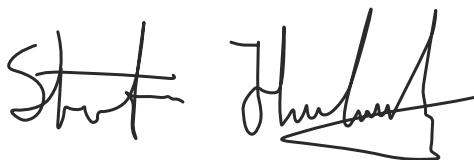
et que les normes et/ou les spécifications
techniques suivantes sont appliquées : EN ISO
12100:2010, EN 62841-1:2015+AC:2015+A11:2022, EN
62841-4-2:2019+A11:2022+A1:2022, IEC 62841-4-4:
2020+A1:2024, IEC 62841-4-6:2022, ISO 11449:1994,
EN ISO 11680-1:2021, EN 61000-6-3:2007+A1:2011,
EN 61000-6-1:2016, EN IEC 63000:2018.

SMP Svensk Maskinprovning AB, Box 4053, SE-904 03
Umeå, Sweden a effectué un examen de type volontaire
conformément à l'annexe IX de la directive 2006/42/CE.
N° de certificat : SEC/24/2593.

L'organisme notifié : SMP Svensk Maskinprovning AB,
a également vérifié la conformité avec l'annexe V de
la directive du conseil 2000/14/CE. N° de certificat :
01/1610/013.

Pour toute information relative aux émissions sonores,
veuillez consulter la section *Caractéristiques techniques*
à la page 82.

Huskvarna, 2024-02-01



M. Stefan Holmberg, Directeur R&D, gestion de la
technologie, Husqvarna AB, Suède

Responsable de la documentation technique



Inhoud

Inleiding.....	86	Probleemoplossing.....	96
Veiligheid.....	87	Vervoer, opslag en verwerking.....	96
Montage.....	93	Technische gegevens.....	97
Werking.....	93	Accessoires.....	98
Onderhoud.....	95	Verklaring van overeenstemming.....	99

Inleiding

Gebruik

Deze voedingseenheid is een kale eenheid die alleen werkt met goedgekeurde accessoires, zie de

Productoverzicht

(Fig. 1)

1. Gebruikershandleiding
2. 4 mm inbussleutel
3. Lusgreep
4. Knop
5. ON/OFF-knop
6. Snelheidsmodusknop
7. Vergrendeling voedingsschakelaar
8. Gebruikersinterface
9. Activeringsschakelaar
10. Acculader (accessoire)
11. Laad- en foutindicator op de oplader
12. Accuontgrendelknoppen
13. Accu (accessoire)
14. Led-indicator voor de laadstatus
15. Waarschuwings-led
16. Accu-indicati knop
17. Koppeling voor hulpstuk

Let op: De accu en de acculader kunnen er anders uitzien, afhankelijk van het model.

Symbolen op het product

(Fig. 2) **WAARSCHUWING!** Dit product kan gevaarlijk zijn! Onzorgvuldig of onjuist gebruik kan leiden tot ernstig of fataal letsel bij de gebruiker of anderen. Het is uiterst belangrijk dat u de inhoud van deze bedieningshandleiding doorleest en begrijpt. Lees de bedieningshandleiding zorgvuldig door en zorg dat u de instructies hebt begrepen voordat u het product gebruikt.

(Fig. 3) Koppel de accu los voor onderhoud.

(Fig. 4) Nominale spanning, V

goedgekeurde accessoires in *Accessoires op pagina 98*. Lees deze handleiding samen met de handleiding voor het goedgekeurde accessoire.

(Fig. 5) Gelijkstroom.

(Fig. 6) Het product voldoet aan de geldende EG-richtlijnen.

(Fig. 7) Symbolen op het product of op de verpakking geven aan dat dit product niet beschouwd kan worden als huishoudelijk afval. Dit product moet worden afgevoerd via de daartoe aangewezen recyclingfaciliteiten.

(Fig. 8) Het product biedt bescherming tegen opspattend water.

yyyywwxxxx Het serienummer staat op het productplaatje. **yyyy** is het productiejaar, **ww** is de productieweek en **xxxx** is het serienummer.

Let op: Andere symbolen/stickers op het product hebben betrekking op certificeringseisen voor overige commerciële markten.

Fabrikant

Husqvarna AB

Drottninggatan 2, SE-561 82 Huskvarna, Sweden, tel: +46-36-146500

Schade aan het product

We zijn niet verantwoordelijk voor schade aan ons product als:

- het product niet goed is gerepareerd.
- het product is gerepareerd met onderdelen die niet van de fabrikant afkomstig zijn, of onderdelen die niet zijn goedgekeurd door de fabrikant.

- het product een accessoire bevat dat niet afkomstig is van de fabrikant of niet is goedgekeurd door de fabrikant.
- het product niet is gerepareerd door een erkend servicepunt of door een erkende autoriteit.

handleidingen voor probleemoplossing of om de Husqvarna Self-service en de Productzoeker te gebruiken (indien beschikbaar in uw markt). Neem contact op met uw Husqvarna-servicedealer voor ondersteuning met betrekking tot het product.

Ondersteuning

Voor ondersteuning over het product gaat u naar het gedeelte Ondersteuning op voor instructies,

Veiligheid

Veiligheidsdefinities

Waarschuwingen, voorzorgsmaatregelen en opmerkingen worden gebruikt om te wijzen op belangrijke delen van de handleiding.



WAARSCHUWING: Wordt gebruikt om te wijzen op de kans op ernstig of fataal letsel voor de gebruiker of omstanders wanneer de instructies in de handleiding niet worden gevolgd.



OPGELET: Wordt gebruikt indien er een risico bestaat op schade aan het product en andere eigendommen of aan de omgeving wanneer de instructies in de handleiding niet worden gevolgd.

Let op: Geven verdere informatie die nodig is in een bepaalde situatie.

Algemene veiligheidswaarschuwingen voor elektrisch gereedschap



WAARSCHUWING: Zorg ervoor dat u de handleiding voor het goedgekeurde accessoire samen met deze handleiding voor voedingseenheden leest.



WAARSCHUWING: Lees alle veiligheidswaarschuwingen, instructies, illustraties en specificaties die worden meegeleverd met dit elektrisch gereedschap. Het niet opvolgen van ieder van de onderstaande instructies kan leiden tot elektrische schokken, brand en/of ernstig letsel.

Let op: Bewaar alle waarschuwingen en instructies voor later gebruik. De term "elektrisch gereedschap" in de waarschuwingen verwijst zowel naar gereedschappen die op het lichtnet (met snoer) werken

als gereedschappen die met een accu (snoerloos) werken.

Veiligheid van het werkgebied

- **Zorg ervoor dat de werkplek schoon en goed verlicht is.** In rommelige of donkere gebieden gebeuren eerder ongelukken.
- **Gebruik machines niet in een explosieve omgeving, zoals in de aanwezigheid van ontvlambare vloeistoffen, gassen of stof.** Machines produceren vonken die het stof of de dampen kunnen doen ontbranden.
- **Houd kinderen en andere personen tijdens het gebruik van de machine op afstand.** U kunt de controle over het apparaat verliezen als u afgeleid wordt.

Elektrische veiligheid

- **De aansluitstekkers van de machine moeten in het stopcontact passen. Wijzig nooit de stekker. Gebruik geen adapterstekkers samen met geaarde machines.** Ongewijzigde stekkers en overeenkomende stopcontacten verkleinen het risico op elektrische schokken.
- **Vermijd lichamelijk contact met geaarde oppervlakken, zoals buizen, radiatoren, fornuizen en koelkasten.** Er is een verhoogd risico op elektrische schokken als uw lichaam geaard is.
- **Houd machines uit de buurt van regen of vocht.** Het binnendringen van water in een machine verhoogt het risico op een elektrische schok.
- **Gebruik de kabel niet voor oneigenlijke doeleinden. Gebruik de kabel nooit om de machine te dragen, te trekken of om de stekker uit het stopcontact te trekken. Houd de kabel uit de buurt van warmte, olie, scherpe randen en bewegende onderdelen.** Beschadigde of in de knoop geraakte kabels verhogen het risico op elektrische schokken.
- **Wanneer u met een machine in de openlucht werkt, dient u alleen verlengsnoeren te gebruiken die ook geschikt zijn voor gebruik buitenshuis.** Het gebruik van een kabel die geschikt is voor gebruik buitenshuis, vermindert het risico op elektrische schokken.
- **Als gebruik van een machine in een vochtige omgeving onvermijdelijk is, gebruik dan een**

netvoeding met aardlekschakelaar (RCD). Het gebruik van een aardlekschakelaar vermindert het risico op elektrische schokken.

Persoonlijke veiligheid

- **Wees attent! Let op wat u doet en ga verstandig aan het werk met een machine. Gebruik geen machine wanneer u moe bent of onder invloed staat van drugs, alcohol of medicijnen.** Eén moment van onoplettendheid bij het gebruik van machines kan leiden tot ernstige verwondingen.
- **Maak altijd gebruik van persoonlijke beschermingsmiddelen. Draag altijd oogbescherming.** Beschermingsmiddelen zoals een stofmasker, veiligheidsschoenen met antislipprofiel, een veiligheidshelm of gehoorbescherming in relevante werkomstandigheden beperken letsel.
- **Voorkom een onbedoelde start. Zorg ervoor dat de schakelaar in de stand Off staat voordat u de machine aansluit op een spanningsbron en/of accupack, oppakt of draagt.** Wanneer u uw vingers tijdens het dragen van machines op de schakelaar houdt of de machine ingeschakeld op de stroomvoorziening aansluit, kan dat leiden tot ongevallen.
- **Verwijder instelgereedschappen of stelsleutels voordat u de machine inschakelt.** Gereedschap of sleutels die zich in een draaiend onderdeel van de machine bevinden, kunnen verwondingen veroorzaken.
- **Voorkom overstrekken. Zorg dat u te allen tijde stevig en in balans staat.** Daardoor hebt u de machine in onverwachte situaties beter onder controle.
- **Draag geschikte kleding. Draag geen losse kleding of sieraden. Houd uw haar en kleding uit de buurt van bewegende onderdelen.** Losse kleding, sieraden of lang haar kunnen verstrikt raken in bewegende onderdelen.
- **Als de mogelijkheid bestaat voor het opvangen van stof moet u ervoor zorgen dat deze is aangesloten en op de juiste wijze wordt gebruikt.** Het gebruik van stofopvang kan stofgerelateerde gevaren beperken.
- **Laat de vertrouwdeheid met de door u gebruikte machines door het frequente gebruik ervan niet toe leiden dat u de veiligheidsprincipes negeert.** Een onzorgvuldige handeling kan binnen een fractie van een seconde leiden tot ernstig letsel.

Gebruik en behandeling van machine

- **Overbelast de machine niet. Gebruik de juiste machine voor uw toepassing.** Met de juiste machine werkt u beter en veiliger binnen het vermelde vermogensbereik.
- **Gebruik geen machine waarvan de schakelaar defect is.** Machines die niet meer in- of uitgeschakeld kan worden, zijn gevaarlijk en moeten worden gerepareerd.
- **Haal de stekker uit het stopcontact en/of verwijder het accupack, indien verwijderbaar, van**

de machine voordat u aanpassingen maakt, accessoires verwisselt of machines opbergt. Deze voorzorgsmaatregel verhindert dat de machine onopzettelijk start.

- **Berg ongebruikte machines buiten reikwijdte van kinderen op. Laat de machine niet gebruiken door personen die hiermee niet vertrouwd zijn of die deze instructies niet hebben gelezen.** Machines zijn gevaarlijk wanneer ze door onervaren personen worden gebruikt.
- **Voer onderhoud uit op machines en accessoires. Controleer op onjuiste montage of vastlopen van bewegende delen, gebroken onderdelen en andere condities die de werking van de machine kunnen beïnvloeden. Laat beschadigde onderdelen repareren alvorens de machine te gebruiken.** Veel ongevallen vinden hun oorzaak in slecht onderhouden machines.
- **Houd snijgereedschappen scherp en schoon.** Goed onderhouden snijmachines met scherpe snijranden zullen minder gauw vastlopen en zijn eenvoudiger onder controle te houden.
- **Gebruik de machine, accessoires, bits en dergelijke overeenkomstig deze instructies. Houd daarbij rekening met de werkomstandigheden en de uit te voeren werkzaamheden.** Het gebruik van de machine voor andere dan de voorziene toepassingen kan leiden tot gevaarlijke situaties.
- **Houd de handgrepen en grijppoppervlakken droog, schoon en vrij van olie en vet.** Gladde handgrepen en handgreepvlakken maken in onverwachte situaties geen veilige bediening en controle van het elektrische gereedschap mogelijk.

Gebruik en onderhoud van machines met accuvoeding

- **Laad het gereedschap alleen op met de lader die door de fabrikant is gespecificeerd.** Een lader die voor een bepaald type accu geschikt is, kan een risico op brand creëren als de lader met een andere accu wordt gebruikt.
- **Gebruik alleen de accupacks die bestemd zijn voor de bijbehorende machine.** Als er andere accupacks worden gebruikt, bestaat er risico op letsel en brand.
- **Als het accupack niet gebruikt wordt, houd hem dan uit de buurt van andere metalen voorwerpen, zoals paperclips, munten, sleutels, spijkers, schroeven of andere kleine metalen voorwerpen die een verbinding tussen de twee klemmen kunnen maken.** Als er kortsluiting tussen de accuaansluitingen ontstaat, kunnen er brandwonden of brand ontstaan.
- **Als het accupack verkeerd wordt gebruikt, kan er vloeistof uit de accu komen; zorg dat u deze niet aanraakt. Als u per ongeluk in contact komt met de vloeistof, afspoelen met water. Als er vloeistof in de ogen komt dient u medische hulp in te roepen.** Vloeistof die uit de accu komt kan irritatie of brandwonden veroorzaken.
- **Gebruik geen accu of machine die is beschadigd of aangepast.** Beschadigde of aangepaste accu's

kunnen onvoorspelbaar gedrag vertonen, wat kan leiden tot brand, explosies of letsel.

- **Stel de accu of machine niet bloot aan vuur of hoge temperaturen.** Blootstelling aan vuur of temperaturen hoger dan 130 °C kan een explosie veroorzaken.
- **Volg alle oplaad instructies op en laad de accu of machine niet op bij temperaturen die buiten het in de instructies gespecificeerde bereik liggen.** Door onjuist opladen of opladen bij temperaturen die buiten het gespecificeerde bereik liggen, kan de accu beschadigd raken en neemt het risico op brand toe.

Service

- **Laat uw machine onderhouden door een gekwalificeerde onderhoudsmonteur met gebruikmaking van uitsluitend identieke vervangende onderdelen.** Hierdoor blijft de veiligheid van de machine gehandhaafd.
- **Voer nooit onderhoud uit aan beschadigde accupacks.** Onderhoud aan accupacks mag alleen worden uitgevoerd door de fabrikant of geautoriseerde dienstverleners.

Overige algemene veiligheidsinformatie

- Schakel het product uit wanneer u zich verplaatst. Verwijder altijd de accu wanneer u het product aan een andere persoon geeft.
- Leg het product nooit neer zonder het uit te schakelen en de accu te verwijderen. Laat het product nooit onbeheerd achter terwijl het ingeschakeld is.
- Het maaigereedschap stopt niet onmiddellijk nadat het product is uitgeschakeld.
- Controleer het product voor gebruik en na vallen of stoten op tekenen van slijtage of beschadiging en repareer indien nodig.
- Als er iets in de snijuitrusting vast komt te zitten terwijl u het product bedient, moet u het product stoppen en uitschakelen. Zorg ervoor dat de snijuitrusting volledig tot stilstand komt. Verwijder de accu voordat u het product en/of de snijuitrusting schoonmaakt, inspecteert of repareert.
- Controleer het product vóór gebruik. Zie *Veiligheidsvoorzieningen op het product op pagina 91* en *Onderhoud op pagina 95*. Gebruik nooit een beschadigd product. Voer de in deze handleiding beschreven veiligheidscontroles en de onderhouds- en service-instructies uit.
- Het gebruik van defecte snijuitrustingen kan het risico op ongevallen vergroten.
- Controleer het tandwiel op vuil en barsten. Gebruik een borstel om het tandwiel te ontdoen van gras en bladeren. Draag handschoenen indien nodig.
- Zorg dat de ventilatieopeningen altijd vrij zijn van afvalmaterialen.
- Controleer of de trimmerkop volledig op de trimmer is bevestigd.

- Alle deksels, beschermingen en hendels moeten aangebracht zijn voor u start.
- Controleer of het product in goede staat is. Controleer of alle moeren en bouten goed vastgedraaid zijn.
- Controleer de trimmerkop en de trimmerbeschermkap op beschadigingen en barsten. Vervang de trimmerkop of de trimmerbeschermkap indien deze is blootgesteld aan slagbelasting of barsten vertoont. Gebruik altijd de aanbevolen beschermkap voor die specifieke snijuitrusting. Zie *Technische gegevens op pagina 97*.
- Dit product kan bij onvoorzichtig of onjuist gebruik een gevaarlijk gereedschap zijn. Dit product kan ernstig of fataal letsel toebrengen aan de gebruiker of anderen.
- Dit apparaat is niet bedoeld voor gebruik door personen (waaronder kinderen) met fysieke, zintuiglijke of geestelijke beperkingen, of een gebrek aan kennis en ervaring, tenzij ze begeleiding bij of aanwijzingen voor het gebruik van het apparaat hebben ontvangen van een persoon die verantwoordelijk is voor hun veiligheid. Kinderen moeten onder toezicht worden gehouden om er zeker van te zijn dat ze niet met het apparaat spelen.
- Sta nooit toe dat kinderen de machine gebruiken of in de buurt van de machine komen. De machine start gemakkelijk, zodat kinderen deze mogelijk kunnen starten wanneer ze niet onder volledig toezicht staan. In dat geval kan er een risico op ernstig persoonlijk letsel bestaan. Koppel de accu daarom los wanneer de machine niet onder streng toezicht staat.
- Laat het product nooit gebruiken door kinderen of andere personen die niet zijn opgeleid voor het gebruik of onderhoud van het product en/of de accu.
- Sla de apparatuur op in een afsluitbare ruimte zodat het buiten het bereik is van kinderen en onbevoegde personen.
- De transporthoes moet altijd worden gebruikt voor opslag en transport.
- Houd handen en voeten altijd uit de buurt van de maaizone, in het bijzonder bij het inschakelen van de motor.
- Houd uw handen en voeten uit de buurt van de snijuitrusting totdat deze volledig is gestopt wanneer het product is uitgeschakeld.
- Verwijder het gesneden materiaal niet en laat het niet door anderen verwijderen terwijl het product is ingeschakeld of de snijuitrusting draait. Dit kan ernstig letsel veroorzaken.
- Denk erom dat het uw verantwoordelijkheid als gebruiker is om mensen en hun eigendommen niet bloot te stellen aan ongelukken of gevaar.
- De oorspronkelijke vormgeving van het product mag in geen enkel geval worden gewijzigd zonder toestemming van de fabrikant. Gebruik altijd originele accessoires. Niet goedgekeurde wijzigingen en/of niet-originele onderdelen kunnen tot ernstig persoonlijk letsel of de dood van zowel

gebruiker als omstanders leiden. Uw garantie dekt mogelijk geen schade of aansprakelijkheid als gevolg van het gebruik van niet-goedgekeurde accessoires of vervangende onderdelen.

- De enige accessoires die u samen met dit product kunt gebruiken, zijn de snijuitrustingen die worden aanbevolen in het hoofdstuk Accessoires. Zie *Accessoires op pagina 98*.
- Gebruik nooit een product dat zo gewijzigd is dat het niet langer overeenkomt met de originele uitvoering
- Gebruik nooit een machine die defect is. Voer de in deze handleiding beschreven veiligheidscontroles en de onderhouds- en service-instructies uit. Bepaalde onderhouds- en servicemaatregelen moeten door opgeleide en gekwalificeerde specialisten worden uitgevoerd. Zie de instructies in het hoofdstuk Onderhoud.
- Werken in slechte weersomstandigheden is vermoeiend en kan tot extra gevaarlijke situaties leiden. Het is in verband met het extra gevaar niet aanbevolen om de machine te gebruiken bij zeer slecht weer, bijvoorbeeld dichte mist, zware regen, sterke wind, intense koude of bij risico op bliksem, enz.
- Werk nooit op een ladder, stoel of andere verhoging die niet stevig vast staat.
- Inactieve apparaten binnen opslaan - als het apparaat niet in gebruik is, moet het binnenshuis worden opgeslagen
- Het is niet mogelijk om elke mogelijke situatie te vermelden. Wees altijd voorzichtig en gebruik uw gezond verstand. Vermijd situaties die uw capaciteiten te boven gaan. Als u na het lezen van deze instructies nog vragen hebt over de bedieningsprocedures dient u een expert te raadplegen voordat u verder gaat.
- Zorg ervoor dat er zich geen personen of dieren op een afstand kleiner dan 15 m bevinden terwijl u werkt. Indien meerdere gebruikers in hetzelfde gebied werken, moet de veiligheidsafstand minimaal 15 meter bedragen. Anders is er een risico op ernstig persoonlijk letsel. Schakel het product onmiddellijk uit indien iemand dichterbij komt. Draai het product nooit rond zonder eerst te controleren of er achter u niet iemand zich in de veiligheidszone bevindt.
- Zorg ervoor dat mensen, dieren of andere dingen geen invloed hebben op uw controle over het product en dat ze niet in contact komen met de snijuitrusting of losse objecten die worden uitgeworpen door de snijuitrusting. Gebruik het product echter nooit zonder de mogelijkheid hulp in te kunnen roepen in geval van nood.
- Zorg ervoor dat u veilig kunt gaan en staan. Controleer of er eventuele hindernissen zijn als u onverwacht snel moet kunnen weggelopen (wortels, stenen, takken, kuilen, greppels enz.). Wees extra voorzichtig wanneer u op hellend terrein werkt.
- U dient uitsluitend te lopen, nooit te rennen.

- Controleer het werkgebied. Verwijder alle losse voorwerpen, zoals stenen, stukjes glas, spijkers, ijzerdraad, touw en dergelijke, die weggeslingerd kunnen worden of vast kunnen komen zitten in de maaier of beschermkap.
- Wees alert op stukken tak die tijdens het snijden weggeslingerd kunnen worden. Snijd niet te dicht bij de grond waar stenen en andere voorwerpen kunnen worden weggeslingerd.
- Zorg ervoor dat kleding of lichaamsdelen niet in contact komen met de snijuitrusting wanneer het product is ingeschakeld. Houd het product altijd onder taillehoogte.
- Kijk uit voor wegschietende objecten. Gebruik altijd goedgekeurde oogbescherming. Leun nooit over de beschermkap van de snijuitrusting. Stenen, afval, enz. kunnen omhoog schieten in uw ogen en blindheid of ernstig letsel veroorzaken.
- Let als u gehoorbescherming draagt op waarschuwingssignalen of geschreeuw. Doe uw gehoorbescherming altijd af zodra het product is gestopt.
- Wanneer zich ongewenste trillingen voordoen, moet u een nieuw stuk draad naar buiten tikken. Wanneer de draad de juiste lengte heeft, stoppen de trillingen.
- Als het product overmatig begint te trillen, stopt u het product en verwijderd u de accu.
- Overmatige blootstelling aan trillingen kan leiden tot bloedvat- en zenuwbeschadigingen bij personen met een slechte bloedcirculatie. Consulteer uw dokter wanneer u symptomen waarneemt die wijzen op overmatige blootstelling aan trillingen. Dergelijke symptomen zijn o.a. een doof gevoel, gevoelloosheid, tintelingen, een prikkelend gevoel, pijn, krachtverlies, veranderingen van huidskleur of conditie van de huid. Deze symptomen worden meestal waargenomen in de vingers, handen of polsen.
- Houd het product altijd met twee handen vast. Houd het apparaat rechts van uw lichaam.

Persoonlijke beschermingsuitrusting



WAARSCHUWING: Lees de volgende waarschuwingen voordat u het product gaat gebruiken.

- Draag tijdens het gebruik van het product altijd goedgekeurde persoonlijke beschermingsuitrusting. Persoonlijke beschermingsuitrusting kunnen niet alle risico's uitsluiten maar kunnen de ernst van eventueel letsel helpen beperken. Vraag uw dealer u te helpen bij het kiezen van de juiste beschermingsmiddelen.
- Gebruik een veiligheidshelm bij kans op vallende voorwerpen.
- Gebruik goedgekeurde gehoorbescherming met voldoende dempvermogen. Langdurige blootstelling aan lawaai kan leiden tot permanente gehoorbeschadiging.

- Gebruik goedgekeurde oogbescherming. Als u een vizier gebruikt, moet u ook een goedgekeurde veiligheidsbril gebruiken. Een goedgekeurde veiligheidsbril moet voldoen aan de norm ANSI Z87.1 voor de VS of EN 166 voor de EU-landen.
- Gebruik een vizier voor gezichtsbescherming. Een vizier is niet voldoende om de ogen te beschermen. (Fig. 9)

- Draag zo nodig handschoenen, bijvoorbeeld bij het monteren, inspecteren of reinigen van de snijuitrusting.
- Gebruik stevige antisliplaarzen.
- Gebruik kleding van stevige stof. Gebruik altijd een zware lange broek en lange mouwen. Gebruik geen loszittende kleding die gemakkelijk kan blijven haken aan takjes en struikgewas. Draag geen sieraden, korte broek of sandalen of loop niet op blote voeten. Bind voor de veiligheid lang haar samen tot boven schouderhoogte.

(Fig. 10)

- Houd een EHBO-does binnen handbereik.

(Fig. 11)

Veiligheidsvoorzieningen op het product



WAARSCHUWING: Lees de volgende waarschuwingen voordat u het product gaat gebruiken.

In dit hoofdstuk worden de veiligheidsvoorzieningen van het product beschreven, welke functie ze hebben en hoe controles en onderhoud moeten worden uitgevoerd om hun goede werking te waarborgen. Zie de instructies in het hoofdstuk *Inleiding op pagina 86* om te zien waar deze onderdelen zich bevinden op uw product.

De levensduur van het product kan worden verkort en het risico op ongevallen kan toenemen wanneer het onderhoud van het product niet op de juiste manier plaatsvindt en wanneer service en/of reparaties niet vakkundig worden uitgevoerd. Indien u meer informatie nodig hebt, verzoeken wij u contact op te nemen met de dichtstbijzijnde onderhoudsdealer.



WAARSCHUWING: Gebruik een product nooit wanneer de veiligheidsvoorzieningen beschadigd zijn. De veiligheidsuitrusting van het product moet geïnspecteerd en onderhouden worden zoals beschreven in dit hoofdstuk. Als uw product een van deze controles niet doorstaat, moet u contact opnemen met uw servicewerkplaats om uw unit te laten repareren.



OPGELET: Om service en reparaties aan de machine uit te voeren, moet u een speciale opleiding hebben. Dit geldt met name voor de veiligheidsuitrusting van de machine. Als uw machine een van de volgende controles niet goed doorstaat, moet u ermee naar uw servicewerkplaats gaan. Als u één van onze producten koopt, garanderen wij de beschikbaarheid van professionele reparaties en onderhoud. Als u uw machine hebt gekocht bij één van onze dealers die geen servicewerkplaats heeft, vraag dan waar de dichtstbijzijnde erkende werkplaats is.

De gebruikersinterface controleren

1. Houd de ON/OFF-knop (A) ingedrukt. (Fig. 12)
 - a) Het product is ingeschakeld wanneer het display (B) brandt.
 - b) Het product is uitgeschakeld wanneer het display uit is.
2. Raadpleeg *Toetsenbord op pagina 96* als het waarschuwingslampje op het display brandt of knippert.

De vergrendeling van de activeringsschakelaar controleren

De vergrendeling van de activeringsschakelaar is bedoeld om te voorkomen dat het product per ongeluk wordt ingeschakeld. Wanneer u de vergrendeling van de activeringsschakelaar naar voren (A) en tegen de handgreep (B) drukt, wordt de activeringsschakelaar (C) losgelaten. Wanneer u de handgreep loslaat, gaat zowel de gashendel als de gashendelvergrendeling terug naar de originele positie. Drie onafhankelijke veren zorgen voor deze beweging. (Fig. 13)

1. Controleer of de activeringsschakelaar is vergrendeld wanneer de vergrendeling in de beginpositie staat. (Fig. 14)
2. Druk de vergrendeling van de activeringsschakelaar naar voren (A) en naar beneden. Houd de vergrendeling van de activeringsschakelaar tegen de handgreep (B) en controleer of hij teruggaat naar de oorspronkelijke positie wanneer u deze loslaat. (Fig. 15)
3. Zorg ervoor dat de activeringsschakelaar en de vergrendeling vrij kunnen bewegen en dat de retourveren juist werken. (Fig. 16)
4. Houd de ON/OFF-knop ingedrukt om het product in te schakelen.
5. Druk de activeringsschakelaar volledig in voor volle snelheid.
6. Laat de activeringsschakelaar los en controleer of de snijuitrusting stopt en blijft stilstaan.

Veiligheidsinstructies voor montage



WAARSCHUWING: Lees deze handleiding voor de voedingseenheid samen met de handleiding voor het goedgekeurde accessoire.

- Verwijder de accu uit het product voordat u het product monteert.
- Draag de goedgekeurde veiligheidshandschoenen.
- Een beschadigde of onjuiste beschermkap kan letsel veroorzaken. Gebruik geen snijuitrusting zonder een aan de uitrusting bevestigde goedgekeurde beschermkap.
- Zorg ervoor dat u het deksel en de as goed monteert, voordat u het product start.
- Als er een draagstel bij het opzetstuk wordt geleverd, moet het draagstel correct aan het product worden bevestigd. Het draagstel zorgt voor een veilig gebruik en voorkomt letsel aan de gebruiker of andere personen.

Veiligheid bij accu's



WAARSCHUWING: Lees de volgende waarschuwingen voordat u het product gaat gebruiken.

- Gebruik alleen accu's die zijn goedgekeurd door Husqvarna. Zie *Goedgekeurde accu's op pagina 97*. De accu's zijn voorzien van softwarematige encryptie.
- Gebruik uitsluitend accu's die zijn goedgekeurd door Husqvarna als voedingsbron voor de bijbehorende producten van Husqvarna. Gebruik de accu niet als voedingsbron voor andere apparaten, om letsel te voorkomen.
- Risico van elektrische schok. Breng de accuklemmen niet in contact met sleutels, munten, schroeven of ander metaal. Dit kan kortsluiting van de accu veroorzaken.
- Gebruik geen niet-oplaadbare accu's.
- Plaats geen voorwerpen in de luchtspleten van de accu.
- Bescherm de accu tegen direct zonlicht, warmte of open vuur. De accu kan brandwonden en/of chemische brandwonden veroorzaken.
- Bescherm de accu tegen regen en vocht.
- Houd de accu uit de buurt van magnetrons en hoge druk.
- Probeer de accu niet te demonteren of te slopen.
- Als er een accu lekt, zorg er dan voor dat de vloeistof niet in aanraking komt met uw huid of ogen. Als u in aanraking bent gekomen met de vloeistof, reinig het oppervlak dan met een ruime hoeveelheid water en zeep en raadpleeg een arts. Wrijf niet in uw ogen wanneer u vloeistof in uw ogen krijgt, maar

spoei uw ogen minstens 15 minuten met water en raadpleeg een arts.

- Gebruik de accu bij temperaturen tussen -10 °C (14 °F) en 40 °C (114 °F).
- Reinig de accu of acculader nooit met water. Zie *Product, accu en acculader reinigen op pagina 95*.
- Gebruik geen accu die is beschadigd of niet correct werkt.
- Sla accu's op uit de buurt van metalen voorwerpen, bijvoorbeeld spijkers, schroeven en sieraden.
- Houd de accu buiten het bereik van kinderen.

Veiligheidsvoorschriften voor acculader



WAARSCHUWING: Lees de volgende waarschuwingen voordat u het product gaat gebruiken.

- Risico van elektrische schok of kortsluiting wanneer de veiligheidsinstructies niet worden opgevolgd.
- Gebruik geen andere acculader dan die bij uw product is geleverd. Gebruik alleen door Husqvarna goedgekeurde acculaders om door Husqvarna goedgekeurde accu's op te laden. Zie *Technische gegevens op pagina 97* voor instructies.
- Probeer de acculader niet te demonteren.
- Gebruik de acculader niet als deze beschadigd is of niet correct werkt.
- Til de acculader niet op aan de voedingskabel. Trek aan de stekker om de acculader uit de wandcontactdoos te halen. Trek niet aan de voedingskabel.
- Houd alle kabels en verlengsnoeren uit de buurt van water, olie en scherpe kanten. Let op dat de kabel niet bekneld raakt tussen objecten zoals deuren, hekken en dergelijke.
- Gebruik de acculader niet in de buurt van brandbare materialen of materialen die corrosie kunnen veroorzaken. Controleer of de acculader niet is afgedekt. Haal de stekker van de acculader uit de wandcontactdoos bij rookontwikkeling of brand.
- De accu mag alleen binnenshuis worden opgeladen op een plek met voldoende ventilatie en zonder direct zonlicht. Laad de accu niet buiten op. Laad de accu niet op in vochtige omstandigheden.
- Gebruik de acculader alleen op plekken met een temperatuur tussen 5 °C (41 °F) en 40 °C (104 °F). Gebruik de lader in een omgeving die goed geventileerd, droog en stofvrij is.
- Plaats geen voorwerpen in de koelspleten van de acculader.
- Verbind de contacten van de acculader niet met metalen objecten, omdat dit kortsluiting in de acculader kan veroorzaken.
- Gebruik goedgekeurde stopcontacten die niet beschadigd zijn. Controleer of de kabel van de acculader niet beschadigd is. Als er verlengkabels worden gebruikt, zorg er dan voor dat deze niet beschadigd zijn.

Veiligheidsinstructies voor onderhoud



WAARSCHUWING: Lees de volgende waarschuwingen voordat u onderhoud aan het product gaat uitvoeren.

- Verwijder de accu voordat u onderhoud of andere controles uitvoert, of het product demonteert.
 - De gebruiker mag alleen de onderhouds- en servicewerkzaamheden uitvoeren die in deze bedieningshandleiding zijn beschreven. Ga naar uw servicedealer voor verdergaande service- of onderhoudswerkzaamheden.
 - Reinig de accu of acculader nooit met water. Sterke reinigingsmiddelen kunnen schade aan het kunststof veroorzaken.
- Als u geen onderhoud uitvoert, verkort dit de levenscyclus van het product en vergroot het risico op ongevallen.
 - Voor alle service en reparaties is speciale training vereist, vooral voor de veiligheidsvoorzieningen op het product. Als niet alle controles in deze bedieningshandleiding een goed resultaat geven nadat u onderhoud hebt uitgevoerd, ga dan naar uw servicedealer. Wij garanderen dat u daar professionele reparaties en service voor uw product krijgt.
 - Gebruik alleen originele reserveonderdelen.
 - Draag altijd handschoenen voor zwaar gebruik wanneer u de snijuitrusting repareert. De snijbladen zijn zeer scherp en kunnen gemakkelijk snijwonden veroorzaken.

Montage

Loophandvat monteren

1. Bevestig het loophandvat op de steel tussen de pijlen. Plaats het loophandvat of de ophanging niet op het label. (Fig. 17)
2. Schuif het afstandsstuk in de sleuf in het loophandvat.
3. Bevestig de moer, de knop en de schroef, draai ze niet te strak.
4. Stel het product af zodat u het comfortabel kunt vasthouden.
5. Draai de bout vast.

Deelbare steel monteren

1. Draai aan de knop om de koppeling los te maken. (Fig. 18)
2. Lijn de nok (A) uit met de pijl (B) op de koppeling. (Fig. 19)
3. Druk de steel in de koppeling tot deze vastklikt. (Fig. 20)

4. Draai de knop volledig vast. (Fig. 21)

Deelbare steel demonteren

1. Draai de knop 3 slagen of meer om de koppeling los te maken. (Fig. 22)
2. Druk de knop (C) in en houd deze ingedrukt.
3. Houd deze stevig vast aan het uiteinde van de steel waarop de motor is bevestigd.
4. Trek het hulpstuk uit de koppeling. (Fig. 23)

De ophanging aanbrengen, indien van toepassing

1. Breng de ophanging aan tussen de pijlen op de achterhandgreep en het loophandvat. (Fig. 24)

Let op: Plaats het loophandvat niet op het plaatje.

2. Stel de ring af om het product in balans te brengen en gebruiksvriendelijk te maken.

Werking

Inleiding



WAARSCHUWING: Zorg dat u het hoofdstuk over veiligheid hebt gelezen en begrepen voordat u het product gebruikt.

Husqvarna Connect

Husqvarna Connect is een gratis app voor uw mobiele apparaat. De Husqvarna Connect-app biedt uitgebreide functies voor uw Husqvarna-product.

- Uitgebreide productinformatie.

- Informatie over, en hulp bij, onderdelen en onderhoud van uw product.

Husqvarna Connect gebruiken

1. Download de Husqvarna Connect-app op uw mobiele apparaat.
2. Registreer in de Husqvarna Connect-app.
3. Volg de instructies in de Husqvarna Connect-app om verbinding te maken met het product en dit te registreren.

Let op: De Husqvarna Connect-app kan niet in alle markten worden gedownload. Neem voor meer informatie contact op met uw servicedealer.

De accu aansluiten op het product



WAARSCHUWING: Gebruik uitsluitend originele Husqvarna-accu's in het product.

1. Zorg ervoor dat de accu volledig is opgeladen.
 2. Druk de accu in de accuhouder van het product. De accu is in positie vergrendeld als u een klik hoort. (Fig. 25)
-



OPGELET: Als u de accu niet eenvoudig in de accuhouder kunt plaatsen, is de batterij niet correct geïnstalleerd. Dit kan schade aan het product veroorzaken.

3. Controleer of de accu goed is geïnstalleerd.
-

De accu opladen

Let op: Laad de accu op als u deze voor de eerste keer gebruikt. Een nieuwe accu is slechts 30% opgeladen.

1. Zorg ervoor dat de accu droog is.
 2. Plaats de accu in de acculader. (Fig. 26)
-

Let op: De accu en de acculader kunnen er anders uitzien, afhankelijk van het model, maar de procedure is hetzelfde.

3. Zorg ervoor dat het groene laadlampje op de acculader gaat branden. Dat betekent dat de accu goed is aangesloten op de acculader.
 4. Wanneer alle leds op de accu branden, is de accu volledig opgeladen. (Fig. 27)
 5. Trek aan de stekker om de acculader uit de wandcontactdoos te halen. Trek niet aan de kabel.
 6. Haal de accu uit de acculader.
-

Let op: Raadpleeg de handleidingen van de accu en de acculader voor meer informatie.

Werkpositie

- Houd het apparaat met beide handen vast.
- Houd het apparaat rechts van uw lichaam.
- De zaaguitrusting moet onder taillehoogte blijven.
- Houd lichaamsdelen uit de buurt van de hete oppervlakken.

- Houd lichaamsdelen uit de buurt van de snijuitrusting.

Voordat u het product gaat bedienen

- Controleer het werkgebied zodat u op de hoogte bent van het soort terrein, de helling van de ondergrond en of er obstakels zoals stenen, takken en greppels zijn.
- Voer een revisie-inspectie van het product uit.
- Voer de veiligheidsinspecties, onderhoud en servicebeurten uit die in deze handleiding worden aangegeven.
- Zorg dat alle afschermingen, beschermkappen, handgrepen en accessoires correct zijn aangebracht en onbeschadigd zijn.

Product starten

1. Houd de ON/OFF-knop ingedrukt tot de groene led gaat branden. (Fig. 28)
2. Gebruik de activeringsschakelaar om het toerental te regelen.

Het maximum toerental beperken met de modusknop

Het product heeft een modusknop. Met de modusknop kan de gebruiker het maximale toerental beperken. De modusknop heeft 3 snelheidsniveaus. Een lager niveau verlengt de gebruiksduur van het product. De modusknop heeft 3 snelheidsniveaus. Een lager niveau verlengt de gebruiksduur van het product. Gebruik niveau 1 en niveau 2 als het product niet op volle snelheid/vol vermogen gebruikt hoeft te worden. Als de bedrijfsomstandigheden volle snelheid/vol vermogen vereisen, gebruik dan niveau 3. Gebruik geen hoger niveau dan nodig is voor de werkzaamheden.

1. Druk op de modusknop om een limiet op het maximum toerental in te stellen. De witte leds gaan branden om aan te geven dat de functie is ingeschakeld. (Fig. 29)
2. Druk nogmaals op de modusknop om het volgende snelheidsniveau te kiezen.

Automatische uitschakelfunctie

Het product is voorzien van een automatische uitschakelfunctie die het product uitschakelt als u het 3 minuten lang niet gebruikt.

Het product stoppen

1. Laat de activeringsschakelaar of de vergrendeling van de activeringsschakelaar los.
2. Druk op de ON/OFF-knop. (Fig. 30)
3. Druk op de ontgrendelknoppen op de accu en trek de accu eruit. (Fig. 31)

Onderhoud

Inleiding



WAARSCHUWING: Voordat u onderhoudswerkzaamheden gaat uitvoeren, dient u het hoofdstuk over veiligheid te lezen en hebben begrepen.

Hieronder volgt een lijst van het onderhoud dat u aan het product moet uitvoeren. Laat naast het onderhoud dat in het onderhoudsschema wordt beschreven, een servicedealer van Husqvarna regelmatig onderhoud aan het product uitvoeren. Neem contact op met uw servicedealer van Husqvarna voor informatie over de onderhoudsintervallen.

Onderhoudsschema



WAARSCHUWING: Verwijder de accu voordat u onderhoud uitvoert.

Onderhoud	Elke dag	Wekelijks	Maandelijks
Reinig de externe onderdelen van het product met een droge doek. Gebruik geen water.	X		
Controleer of de ON/OFF-knop correct werkt en niet beschadigd is.	X		
Controleer of de voedingsschakelaar en de vergrendeling van de voedingsschakelaar correct werken vanuit veiligheidsoogpunt.	X		
Controleer of alle bedieningselementen werken en niet zijn beschadigd.	X		
Houd de handgrepen droog, schoon en vrij van olie en vet.	X		
Controleer of de schroeven en moeren goed zijn vastgedraaid.	X		
Controleer of de ontgrendelknoppen op de accu werken en de accu in het product vergrendelen.	X		
Controleer of de accu niet beschadigd is.	X		
Zorg ervoor dat de accu is opgeladen.	X		
Controleer of de acculader niet beschadigd is en goed functioneert.	X		
Controleer alle kabels, koppelingen en aansluitingen. Zorg ervoor dat deze niet zijn beschadigd en vrij zijn van vuil.		X	
Controleer de verbindingen tussen de accu en het product. Controleer de verbinding tussen de accu en de acculader.			X

Product, accu en acculader reinigen

1. Reinig het product met een droge doek na gebruik.
2. Reinig de accu en acculader met een droge doek. Houd de accugeleiderails schoon.
3. Zorg ervoor dat de aansluitingen van de accu en de acculader schoon zijn voor dat de accu in de acculader of het product wordt geplaatst.

Tweedelige steel

Breng telkens na 30 uur bedrijf smeermiddel aan op het uiteinde van de aandrijfjas. Als ze niet regelmatig gesmeerd worden, bestaat het risico dat de aandrijfjfasuiteinden (spiebanenverbindingen) van de deelbare modellen gaan klemmen. (Fig. 32)

Probleemoplossing

Toetsenbord

Led-display	Mogelijke fouten	Mogelijke actie
Led knippert groen, actief	Lage accuspanning.	Laad de accu op.
Rode fout-led knippert	Overbelasting.	De snijuitrusting is geblokkeerd. Schakel het product uit. Verwijder de accu. Verwijder ongewenste materialen uit de snijuitrusting.
	Temperatuurafwijking.	Laat het product afkoelen.
	De gashendel en de activeringsknop worden tegelijkertijd ingedrukt.	Wanneer u de voedingsschakelaar loslaat, wordt het product geactiveerd.
Het product start niet	Vuil in de aansluitingen van de accu.	Reinig de accu-aansluitingen met perslucht of een zachte borstel.
De fout-led brandt rood	Het product moet worden onderhouden.	Neem contact op met de servicewerkplaats.

Vervoer, opslag en verwerking

Transport en opslag

- De meegeleverde Li-ion-accu's voldoen aan de wettelijke vereisten voor gevaarlijke goederen.
- Neem de bijzondere voorschriften op de verpakking en labels voor commercieel transport in acht. Dit geldt ook voor derden en expediteurs.
- Neem contact op met een persoon die gespecialiseerd is op het gebied van gevaarlijke stoffen voordat u het product verzendt. Neem alle van toepassing zijnde nationale voorschriften in acht.
- Breng tape aan op blootliggende aansluitingen wanneer u de accu in een pakket plaatst. Plaats de accu strak in het pakket om beweging te voorkomen.
- Verwijder de accu bij opslag of vervoer.
- Plaats de accu en de acculader in een droge, vocht- en vorstvrije ruimte.
- Bewaar de accu niet op plaatsen waar statische elektriciteit aanwezig is. Bewaar de accu niet in een metalen doos.
- Bewaar de accu op een plaats met een temperatuur tussen 5 °C en 25 °C en niet in direct zonlicht.
- Bewaar de acculader op een plaats met een temperatuur tussen 5 °C en 45 °C en niet in direct zonlicht.
- Gebruik de acculader alleen als de omgevingstemperatuur tussen 5 °C en 40 °C ligt.

- Laad de accu op tussen de 30% en 50% voorafgaand aan langdurige opslag.
- Berg de acculader op in een ruimte die afgesloten en droog is.
- Bewaar de accu niet in de buurt van de acculader. Laat kinderen en andere onbevoegde personen niet aan de apparatuur komen. Bewaar de apparatuur in een ruimte die u kunt afsluiten.
- Reinig het product en voer een volledige onderhoudsbeurt uit voordat u het product voor langere tijd opslaat.
- Gebruik de transportbescherming op het product om letsel bij personen of schade aan het product tijdens vervoer en opslag te voorkomen.
- Bevestig het product stevig tijdens vervoer.

Accu, acculader en product afvoeren

Symbolen op het product of op de verpakking van het product geven aan dat dit product geen huishoudelijk afval is. Lever het in bij een recyclepunt voor elektrische en elektronische apparatuur. Dit voorkomt vervuiling van het milieu en letsel bij personen.

Neem contact op met uw lokale autoriteiten, afvalverwerkingsbedrijf of dealer voor meer informatie over het recyclen van uw product.

Technische gegevens

Technische gegevens

	325iLK
Motor	
Motortype	BLDC (borstelloos) 36 V
Toerental van uitgaande as, 1/min	8400
Gewicht	
Gewicht (alleen voedingseenheid), kg	2,9
Geluidsemisies ^{49, 50}	
Geluidsvermogensniveau, gemeten dB(A)	89-103
Geluidsvermogensniveau, gegarandeerd L _{WA} dB (A)	90-106
Geluidsniveaus ^{51, 52}	
Equivalent geluidsdruk niveau bij het oor van de gebruiker, gemeten volgens EN 62841-1, dB(A):	78-93
Trillingsniveau ^{53, 54}	
Trillingsniveaus in de handgrepen, gemeten volgens EN 62841-1, m/s ²	1,3-5,5/1,1-3,1

Goedgekeurde accu's

Accu	BLi200	40-B220X
Type	Lithium-ion	Lithium-ion
Accucapaciteit, Ah	5,2	6,0
Nominale spanning, V	36	36
Gewicht, kg (lb)	1,3 (2,9)	1,4 (3,1)

⁴⁹ Geluidsemisie naar de omgeving gemeten als geluidsvermogen (LWA) volgens EG-richtlijn 2000/14/EG. Het gerapporteerde geluidsvermogensniveau voor de machine is gemeten met de originele snijuitrusting die het hoogste niveau geeft. Het verschil tussen gegarandeerd en gemeten geluidsvermogen is dat het gegarandeerde geluidsvermogen ook spreiding in het meetresultaat omvat en de verschillen tussen de verschillende machines van hetzelfde model conform Richtlijn 2000/14/EG.

⁵⁰ Het geluidsbereik geeft de laagste tot de hoogste gemeten waarde aan.

⁵¹ De gerapporteerde gegevens voor het geluidsdruk niveau van de machine vertonen een typische statistische spreiding (standaardafwijking) van 3 dB (A) en zijn gemeten met het originele opzetstuk dat het hoogste niveau geeft.

⁵² Het geluidsbereik geeft de laagste tot de hoogste gemeten waarde aan.

⁵³ De gerapporteerde gegevens voor een trillingsniveau vertonen een typische statistische spreiding (standaardafwijking) van 2 m/s². Gebruik voor vergelijking van trillingsniveaus, accu's en verbrandingsproducten de trillingscalculator. <https://www.husqvarna.com/uk/services-solutions/vibration-calculator/>.

⁵⁴ Het geluidsbereik geeft de laagste tot de hoogste gemeten waarde aan.

Goedgekeurde acculaders

Acculader	QC330	40-C500X
Ingangsspanning, V	100-240	100-240
Frequentie, Hz	50-60	50-60
Vermogen, W	330	500

Accessoires

Opzetstukken

Goedgekeurde accessoires	Hulpstuknummer ⁵⁵	Hulpstukgroep ⁵⁶	Gebruik met
Accessoire voor bosmaaier BCA850	1	1-10	325iLK
Opzetstuk blazer BA101	11	11-20	325iLK
Opzetstuk kantensnijder ECA850	21	21-30	325iLK
Opzetstuk kantensnijder ESA850	22	21-30	325iLK
Opzetstuk heggenschaar HA860	32	31-40	325iLK
Opzetstuk stoksnoeizaag PAX730	41	41-50	325iLK
Opzetstuk stoksnoeizaag PAX1100	42	41-50	325iLK
Zaagopzetstuk PA1100	43	41-50	325iLK
Veegopzetstuk SR600-2	51	51-60	325iLK
Opzetstuk borstel BR600	52	51-60	325iLK
Opzetstuk verticuteermachine DT600	53	51-60	325iLK
Opzetstuk cultivator CA230	54	51-60	325iLK
Opzetstuk knipschijf RA850	2	1-10	525iLK

⁵⁵ Dit is een specifiek nummer van een goedgekeurd hulpstuk in een hulpstukgroep.

⁵⁶ De goedgekeurde hulpstukken zijn onderverdeeld in hulpstukgroepen. Elke hulpstukgroep heeft vergelijkbare kenmerken en plaatjes.

Verklaring van overeenstemming

EU-verklaring van overeenstemming

Wij, **Husqvarna AB**, SE-561 82 Huskvarna, Zweden, tel: +46-36-146500, verklaren onder onze alleenverantwoordelijkheid dat het product:

Beschrijving	Voedingseenheid met accu (grastrimmer)
Merk	Husqvarna
Type/model	325iLK (kale eenheid)
Identificatie	Serienummers vanaf 2024 en verder

volledig voldoet aan de volgende EU-richtlijnen en -regelgeving:

Richtlijn/Verordening	Beschrijving
2006/42/EG	"betreffende machines"
2014/30/EMC	"betreffende elektromagnetische compatibiliteit"
2011/65/EU	"betreffende beperking van gevaarlijke stoffen"
2000/14/EG	"betreffende geluid buitenshuis"

en dat de volgende normen en/of technische specificaties zijn toegepast: EN ISO 12100:2010, EN 62841-1:2015+AC:2015+A11:2022, EN 62841-4-2:2019+A11:2022+A1:2022, IEC 62841-4-4:2020+A1:2024, IEC 62841-4-6:2022, ISO 11449:1994, EN ISO 11680-1:2021, EN 61000-6-3:2007+A1:2011, EN 61000-6-1:2016, EN IEC 63000:2018.

Verantwoordelijk voor technische documentatie



SMP Svensk Maskinprovning AB, Box 4053, SE-904 03 Umeå, Sweden heeft een vrijwillig typeonderzoek ondergaan in overeenstemming met bijlage IX van 2006/42/EG. Certificaatnummer: SEC/24/2593.

Aangemelde instantie: SMP Svensk Maskinprovning AB, heeft ook overeenstemming bevestigd met bijlage V van de richtlijn 2000/14/EG van de Raad. Certificaatnummer: 01/1610/013.

Voor informatie over geluidsemissies, zie *Technische gegevens op pagina 97*.

Huskvarna, 2024-02-01

Mr. Stefan Holmberg, Directeur R&D,
Technologiemanagement, Husqvarna AB, Zweden

Sommario

Introduzione.....	100	Ricerca guasti.....	109
Sicurezza.....	101	Trasporto, stoccaggio e smaltimento.....	110
Montaggio.....	107	Dati tecnici.....	111
Utilizzo.....	107	Accessori.....	112
Manutenzione.....	108	Dichiarazione di conformità.....	113

Introduzione

Uso previsto

Questo gruppo di potenza è un'unità base che funziona solo insieme agli accessori omologati, vedere gli

accessori omologati nella sezione *Accessori alla pagina 112*. Assicurarsi di leggere il presente manuale insieme al manuale degli accessori omologati.

Panoramica del prodotto

(Fig. 1)

1. Manuale dell'operatore
2. 4 mm esagonale
3. Impugnatura ad anello
4. Manopola
5. Pulsante On/Off
6. Pulsante modalità velocità
7. Fermo della leva di comando
8. Interfaccia utente
9. Leva di comando
10. Caricabatterie (accessorio)
11. Indicatore di carica e di errore sul caricabatterie
12. Pulsanti per il rilascio della batteria
13. Batteria (accessorio)
14. Indicatore LED per lo stato di carica
15. LED di avvertimento
16. Pulsante indicatore dello stato della batteria
17. Raccordo per l'accessorio

(Fig. 4) Tensione nominale, V

(Fig. 5) Corrente diretta.

(Fig. 6) Il prodotto è conforme alle direttive CE vigenti.

(Fig. 7) I simboli riportati sul prodotto o sul relativo imballaggio indicano che il presente prodotto non può essere trattato come rifiuto domestico. Questo prodotto deve essere depositato in un apposito impianto di riciclaggio.

(Fig. 8) Il prodotto è dotato di protezione contro gli spruzzi d'acqua.

aaaassxxxx

La targhetta dati di funzionamento mostra il numero di serie. **yyyy** è l'anno di produzione, **ww** è la settimana di produzione e **xxxxx** è il numero sequenziale.

Nota: La batteria e il caricabatterie possono avere un aspetto diverso tra i diversi modelli.

Simboli riportati sul prodotto

(Fig. 2) **AVVERTENZA!** Questo prodotto può essere pericoloso! L'uso improprio del mezzo può provocare lesioni anche mortali all'operatore o a terzi. È estremamente importante leggere e comprendere il contenuto di questo manuale operatore. Prima di usare il prodotto, leggere attentamente il Manuale dell'operatore e accertarsi di averne compreso il contenuto.

(Fig. 3) Scollegare la batteria prima di eseguire la manutenzione.

Nota: I restanti simboli/decalcomanie sul prodotto riguardano particolari requisiti necessari per ottenere la certificazione in altre aree commerciali.

Produttore

Husqvarna AB

Drottningatan 2, SE-561 82 Huskvarna, Sweden, tel: +46-36-146500

Danni al prodotto

Non siamo responsabili dei danni al prodotto se:

- Il prodotto viene riparato in modo errato.
- Il prodotto viene riparato con parti che non provengono o non sono omologate dal produttore.

- Il prodotto contiene un accessorio che non proviene o non è omologato dal produttore.
- Il prodotto non viene riparato presso un centro di assistenza autorizzato o presso un'autorità competente.

Supporto

Per ricevere assistenza sul prodotto, andare alla sezione Supporto su per accedere alle istruzioni, alle

guide alla risoluzione dei problemi o per utilizzare il self-service Husqvarna e l'assistente prodotto (se disponibili nel proprio mercato). Per ulteriore assistenza sul prodotto, contattare il centro di assistenza Husqvarna.

Sicurezza

Definizioni di sicurezza

Le avvertenze, le precauzioni e le note sono utilizzate per evidenziare le parti importanti del manuale.



AVVERTENZA: Utilizzato se è presente un rischio di lesioni o morte dell'operatore o di passanti nel caso in cui le istruzioni del manuale non vengano rispettate.



ATTENZIONE: Utilizzato se è presente un rischio di danni al prodotto, ad altri materiali oppure alla zona adiacente nel caso in cui le istruzioni del manuale non vengano rispettate.

Nota: Utilizzato per fornire ulteriori informazioni necessarie in una determinata situazione.

Avvertenze generali di sicurezza dell'elettrotensile



AVVERTENZA: Assicurarsi di leggere il manuale degli accessori omologati insieme al presente manuale dei gruppi di potenza.



AVVERTENZA: Leggere tutte le avvertenze di sicurezza, le istruzioni, le illustrazioni e le specifiche fornite con questo elettrotensile. La mancata osservanza di tutte le istruzioni elencate di seguito può dare luogo a scosse elettriche, incendi e/o gravi lesioni.

Nota: Conservare tutte le avvertenze e le istruzioni per la futura consultazione. Nelle avvertenze, il termine "elettrotensile" si riferisce al vostro elettrotensile alimentato tramite rete elettrica (con cavo) o a batteria (senza fili).

Sicurezza dell'area di lavoro

- **Tenere l'area di lavoro pulita e ben illuminata.** Il disordine e le aree di lavoro non illuminate possono essere causa di incidenti.
- **Non utilizzare le macchine in atmosfere esplosive, ad esempio in presenza di liquidi, gas o polveri infiammabili.** Le macchine creano scintille che possono incendiare la polvere o i fumi.
- **Durante l'utilizzo della macchina tenere a distanza bambini e altre persone.** Le distrazioni possono causare la perdita del controllo.

Sicurezza elettrica

- **La spina della macchina deve essere adatta alla presa. Evitare assolutamente di apportare modifiche alla spina. Non utilizzare adattatori per spine con macchine dotate di messa a terra.** Le spine non modificate e le prese adatte allo scopo riducono il rischio di scosse elettriche.
- **Evitare il contatto con superfici messe a massa o collegate a terra, come condutture, radiatori, stufe e frigoriferi.** In casi simili, si verificherebbe un aumento del rischio di scosse elettriche.
- **Non esporre le macchine a pioggia o umidità.** La penetrazione di acqua in una macchina aumenta il rischio di scossa elettrica.
- **Non rovinare il cavo elettrico. Non utilizzare mai il cavo per trasportare, tirare o scollegare dalla presa la macchina. Non avvicinare il cavo a fonti di calore, olio, spigoli taglienti e neppure a parti della macchina che siano in movimento.** I cavi danneggiati o attorcigliati fanno aumentare il rischio di scosse elettriche.
- **Utilizzare, quando si lavora all'aperto con una macchina, solamente prolunghe adatte per gli ambienti esterni.** L'uso di un cavo omologato per l'impiego all'aperto riduce il rischio di scosse elettriche.
- **Se l'impiego della macchina in ambienti umidi è inevitabile, utilizzare una fonte di alimentazione con interruttore differenziale (salvavita).** L'utilizzo di un salvavita riduce il rischio di scosse elettriche.

Sicurezza personale

- **È importante concentrarsi su ciò che si sta facendo e maneggiare con giudizio la macchina durante le**

operazioni di lavoro. Non utilizzare mai la macchina in condizioni di stanchezza o sotto l'influsso di droghe, alcol o farmaci. Basta un solo momento di distrazione durante l'utilizzo della macchina per ferirsi gravemente.

- **Usare sempre abbigliamento protettivo personale. Utilizzare sempre una protezione per gli occhi.** L'uso in condizioni adeguate dell'abbigliamento protettivo (come mascherina protettiva, calzature di sicurezza antiscivolo, elmetto o cuffie protettive) riduce le lesioni personali.
- **Prevenire la messa in funzione accidentale. Accertarsi che l'interruttore sia in posizione OFF prima di effettuare il collegamento alla presa dell'alimentazione e/o alla batteria, di sollevare o trasportare la macchina.** Se, in fase di trasporto della macchina, si tiene il dito sull'interruttore ovvero se si lascia collegata la macchina all'alimentazione elettrica, si possono verificare degli incidenti.
- **Rimuovere eventuali chiavi o strumenti di regolazione prima di accendere la macchina.** Una chiave o altro attrezzo rimasto attaccato a parti rotanti della macchina può provocare lesioni personali.
- **Operare in sicurezza. Operare sempre facendo attenzione a posizionare bene i piedi e a mantenere l'equilibrio.** In questo modo si potrà controllare meglio la macchina in situazioni inaspettate.
- **Vestirsi in maniera adeguata. Non indossare abiti troppo ampi o gioielli. Tenere capelli e indumenti lontani dalle parti in movimento.** Lasciati liberi, indumenti, gioielli o capelli lunghi possono restare impigliati nelle parti in movimento.
- **Se vengono forniti dispositivi per il collegamento a strutture di aspirazione e raccolta delle polveri, accertarsi che siano collegate e utilizzate adeguatamente.** La raccolta delle polveri può ridurre i rischi legati alla presenza di questo agente.
- **Non lasciarsi ingannare da un falso senso di sicurezza e non andare oltre le norme di sicurezza per la macchina, anche se si è acquisita familiarità con l'apparecchio elettrico dopo averlo usato diverse volte.** Un'azione incauta può provocare gravi danni in una frazione di secondo.

Utilizzo e trattamento della macchina

- **Non sovraccaricare la macchina. Utilizzare la macchina corretta per un'attività ad essa destinata.** Con la macchina adatta si lavorerà meglio e in modo più sicuro nel settore di attività previsto.
- **Non utilizzare alcuna macchina il cui interruttore è difettoso.** Una macchina che non può essere controllata tramite l'interruttore è pericolosa e deve essere riparata.
- **Scollegare la spina dalla fonte di alimentazione e/o rimuovere dalla macchina il pacco batterie, se staccabile, prima di procedere a eventuali regolazioni, sostituzioni di accessori o alla conservazione dei prodotti.** Tali misure di sicurezza

preventive riducono il rischio di avvio accidentale della macchina.

- **Conservare le macchine non utilizzate lontano dalla portata dei bambini. Non fare utilizzare la macchina a persone che non ne hanno dimestichezza o che non hanno letto le presenti istruzioni.** Le macchine, se utilizzate da persone inesperte, sono pericolose.
- **Effettuare la manutenzione della macchina e degli accessori. Identificare eventuali disallineamenti o inceppamenti delle parti in movimento, rottura di componenti o altre condizioni che possano ripercuotersi sul funzionamento della macchina. Far riparare le parti danneggiate prima dell'utilizzo della macchina.** Molti incidenti dipendono dalla cattiva manutenzione delle macchine.
- **Mantenere affilati e puliti gli strumenti da taglio.** Con una manutenzione adeguata, le macchine da taglio con bordi taglienti affilati risultano più facili da controllare e meno pericolose.
- **Utilizzare la macchina, gli accessori, le punte ecc. come indicato nelle presenti istruzioni, tenendo conto delle condizioni di lavoro e della prestazione da effettuare.** L'utilizzo di macchine per altre applicazioni rispetto a quelle previste può causare situazioni di pericolo.
- **Mantenere le impugnature e le superfici di presa asciutte, pulite e prive di olio e grasso.** Impugnature e superfici dell'impugnatura scivolose non permettono un utilizzo e un controllo sicuro della macchina in situazioni impreviste.

Utilizzo e manutenzione della macchina a batteria

- **Ricaricare l'attrezzo esclusivamente utilizzando il caricabatterie specificato dal produttore.** L'utilizzo di un caricabatterie indicato per un altro tipo di batteria potrebbe provocare rischio di incendio.
- **Utilizzare nelle macchine solamente le batterie previste per esse.** L'utilizzo di altri pacchi batteria potrebbe provocare lesioni e incendi.
- **Quando la batteria non viene utilizzata, tenerla lontana da altri oggetti metallici, come graffette, monete, chiavi, chiodi, viti o altri piccoli oggetti metallici che potrebbero consentire il collegamento tra i terminali.** Provocare il cortocircuito dei terminali della batteria potrebbe causare ustioni o provocare un incendio.
- **In condizioni non ottimali, la batteria potrebbe perdere liquido; evitare il contatto. Qualora il contatto avvenisse, sciacquare la parte con acqua. Se il liquido entra negli occhi, chiamare immediatamente un medico.** Il liquido fuoriuscito dalla batteria potrebbe causare irritazioni o ustioni.
- **Non usare batterie o macchine danneggiate o modificate.** Batterie danneggiate o modificate possono manifestare un comportamento imprevedibile, con rischio di incendi, esplosioni e lesioni.
- **Non esporre batterie o macchine al fuoco o a temperature elevate.** L'esposizione al fuoco o

una temperatura superiore a 130 °C (265°F) può provocare esplosioni.

- **Seguire tutte le istruzioni per il caricamento della batteria e non caricare la batteria o la macchina al di fuori dell'intervallo di temperatura indicato nelle istruzioni.** Ricaricare in modo inappropriato o a temperature che non rientrano nell'intervallo specificato può danneggiare la batteria e aumentare il rischio di incendio.

Servizio

- **Far riparare la macchina solamente da personale qualificato e unicamente con parti di ricambio originali.** In questo modo viene garantita la sicurezza della macchina.
- **Non riparare mai le batterie danneggiate.** Gli interventi sulle batterie dovrebbe essere eseguito solo dal produttore o da centri assistenza autorizzati.

Altre informazioni generali sulla sicurezza

- Gli spostamenti vanno sempre eseguiti con il prodotto spento. Rimuovere sempre la batteria prima di passare il prodotto a un'altra persona.
- Non poggiare mai il prodotto al suolo se non è stato spento e non è stata rimossa la batteria. Non lasciare il prodotto senza supervisione se acceso.
- L'attrezzo di taglio non si ferma immediatamente dopo che il prodotto è stato spento.
- Prima di utilizzare il prodotto e dopo ogni impatto, controllare eventuali segni di usura o danno e, se necessario, ripararli.
- Se un oggetto si blocca nel gruppo di taglio durante l'utilizzo del prodotto, arrestare e disattivare il dispositivo. Accertarsi che il gruppo di taglio si arresti completamente. Rimuovere la batteria prima di procedere alla pulizia, all'ispezione o alla riparazione del prodotto e/o del gruppo di taglio.
- Eseguire il controllo del prodotto prima dell'utilizzo. Vedere *Dispositivi di sicurezza sul prodotto alla pagina 105* e *Manutenzione alla pagina 108*. Non utilizzare un prodotto danneggiato. Eseguire i controlli di sicurezza e attenersi alle istruzioni di manutenzione e riparazione riportate nel presente manuale.
- Un gruppo di taglio difettoso può aumentare il rischio di incidenti.
- Verificare che l'ingranaggio non sia sporco o danneggiato. Rimuovere l'erba e il fogliame dall'ingranaggio utilizzando una spazzola. Usare i guanti quando è necessario.
- Assicurarsi sempre che le aperture di ventilazione siano sgombre da detriti.
- Controllare che la testina portafilo sia saldamente attaccata alla macchina.
- Tutti i carter, le protezioni e le impugnature devono essere montati prima di avviare la macchina.
- Controllare che il prodotto sia in perfette condizioni. Controllare che tutti i dadi e le viti siano ben serrati.

- Controllare la testina portafilo e la protezione parasassi e verificare che siano intatte e non presentino incrinature. Sostituire la testina portafilo o la protezione parasassi nel caso in cui abbia subito degli urti o presenti incrinature. Usare sempre la protezione consigliata per ogni specifico gruppo di taglio. Fare riferimento a *Dati tecnici alla pagina 111*.
- Questo prodotto è uno strumento pericoloso se non si presta attenzione o se si utilizza il prodotto in modo errato. Il prodotto può causare gravi lesioni o morte dell'operatore o altre persone.
- Questo apparecchio non è destinato all'utilizzo da parte di persone (bambini inclusi) con ridotte capacità fisiche, sensoriali o mentali, oppure con mancanza di esperienza e conoscenza, a meno che non siano controllate o siano state istruite durante l'utilizzo da una persona responsabile della loro sicurezza. I bambini devono essere sorvegliati per evitare che giochino con l'apparecchio.
- Non consentire mai a bambini di utilizzare la macchina o avvicinarsi a essa. Data l'estrema facilità di avviamento della macchina, i bambini potrebbero essere in grado di avviarla se non sorvegliati. Si rischiano pertanto gravi lesioni personali. Quindi scollegare la batteria quando la macchina è lasciata incustodita.
- Non consentire mai l'uso e la manutenzione del prodotto a bambini o a persone non qualificate e non lasciare la batteria collegata.
- Conservare l'attrezzatura in un luogo chiuso a chiave e quindi lontano dalla portata di bambini e di persone non autorizzate.
- Per lo stoccaggio e il trasporto, deve essere sempre utilizzata la copertura di trasporto.
- Mantenere sempre mani e piedi fuori dall'area di taglio, specialmente quando si aziona il motore.
- Tenere le mani e i piedi lontani dal gruppo di taglio fino al suo completo arresto quando il prodotto viene disattivato.
- Non rimuovere il materiale tagliato né permettere ad altre persone di rimuoverlo mentre il prodotto è attivato o mentre l'attrezzatura di taglio ruota, perché ciò potrebbe causare gravi lesioni.
- Si prega di notare che l'operatore è responsabile di eventuali incidenti o pericoli a persone o cose.
- Evitare assolutamente di modificare la versione originale del prodotto senza l'autorizzazione del fabbricante. Utilizzare sempre accessori originali. Modifiche e/o accessori non autorizzati possono causare gravi lesioni personali o mortali all'operatore o a terzi. La garanzia non copre i danni o inconvenienti causati dall'uso di accessori o pezzi di ricambio non omologati.
- I soli accessori che si possono utilizzare con questo prodotto sono i gruppi di taglio da noi consigliati nel capitolo Accessori. Fare riferimento a *Accessori alla pagina 112*.
- Non usare mai un prodotto che abbia subito modifiche tali da non corrispondere più alle specifiche originali

- Non usare mai un prodotto difettoso. Eseguire i controlli di sicurezza e attenersi alle istruzioni di manutenzione e riparazione riportate nel presente manuale. Alcuni interventi di manutenzione devono essere eseguiti da personale esperto e specializzato. Vedere le istruzioni alla sezione Manutenzione.
- Lavorare in condizioni meteorologiche avverse è spesso stancante e comporta un ulteriore rischio. A causa di questo ulteriore rischio, si consiglia di non utilizzare il prodotto in condizioni meteorologiche sfavorevoli, per esempio, in presenza di nebbia fitta, pioggia battente, vento forte, freddo intenso, rischio di fulmini, ecc.
- Non lavorare mai su una scala, uno sgabello o in altra posizione sollevata da terra che non sia ben fissata.
- Riporre gli apparecchi non utilizzati in ambienti chiusi.
- Non è possibile coprire tutte le situazioni immaginabili che potreste affrontare. Prestare sempre attenzione e usare il buon senso. Evitare tutte le situazioni che richiedono capacità superiori alle proprie. Se dopo aver letto le presenti istruzioni persistono dubbi sulle procedure operative, rivolgersi a un esperto prima di continuare.
- Assicurarsi che non vi siano persone o animali in un raggio di 50 piedi (15 m) durante il lavoro. Nel caso in cui più operatori stiano lavorando nella stessa zona, la distanza di sicurezza deve essere almeno di 50 piedi (15 m). Altrimenti vi è il rischio di gravi lesioni personali. Arrestare immediatamente l'unità nel caso qualcuno si avvicini. Non girarsi mai con il prodotto in azione senza prima aver controllato che non ci sia nessuno alle vostre spalle entro la zona di sicurezza.
- Accertarsi che la presenza di persone, animali o altro non possa influire sul controllo del prodotto o che non vengano a contatto con il gruppo di taglio o che oggetti allentati possano essere scagliati in aria dal gruppo di taglio. Non utilizzare il prodotto se non si è certi di poter chiedere aiuto in caso di incidente.
- Accertarsi di poter camminare e lavorare in sicurezza. In caso di spostamenti, controllare che non vi siano ostacoli (ceppi, radici, rami, fossati ecc.). Fare particolare attenzione quando si lavora su terreni in pendenza.
- Procedere adagio, non correre.
- Controllare l'area di lavoro. Asportare eventuali corpi estranei quali pietre, frammenti di vetro, chiodi, fili di acciaio, corde ecc. che potrebbero essere scagliati oppure avvolgere il tagliante o la relativa protezione.
- Fare attenzione ad eventuali ramoscelli che potrebbero venir lanciati in aria durante il taglio. Non effettuare tagli troppo vicini al terreno, in quanto pietre e altri corpi estranei potrebbero venire scagliati in aria.
- Assicurarsi che all'accensione, il gruppo di taglio non entri in contatto con vestiti o parti del corpo. Tenere il prodotto al di sotto della cintura.
- Rischio di oggetti volanti. Usare sempre protezione per gli occhi omologata. Evitare di lavorare inclinati verso la protezione del gruppo di taglio. C'è la possibilità di essere colpiti a un occhio da un sasso, un ramo o altri oggetti sollevatisi dal terreno, con conseguenze anche molto gravi, quali la cecità.
- Far sempre attenzione a segnali di allarme o eventuali grida quando si utilizzano le cuffie protettive. Togliere sempre le cuffie protettive immediatamente all'arresto del prodotto.
- In caso di vibrazioni indesiderate, tagliare il nuovo filo alla lunghezza giusta per interrompere le vibrazioni.
- Se il prodotto inizia a vibrare in modo anomalo, arrestarlo e rimuovere la batteria.
- La sovraesposizione alle vibrazioni può causare lesioni neuro-vascolari a chi soffre di cattiva circolazione. In caso di sintomi riferibili a sovraesposizione alle vibrazioni rivolgersi al proprio medico. Esempi di questi sintomi: intorpidimento, perdita di sensibilità, formicolio, torpore, dolore, mancanza di forze, alterazioni di colore o aspetto della pelle. Tali sintomi si riscontrano generalmente nelle mani, nei polsi e alle dita.
- Tenere sempre saldamente il prodotto con entrambe le mani. Tenere il prodotto sul lato destro del proprio corpo.

Dispositivi di protezione individuale



AVVERTENZA: Leggere le seguenti avvertenze prima di utilizzare il prodotto.

- Usare sempre abbigliamento protettivo personale omologato quando si utilizza il prodotto. L'uso di abbigliamento protettivo personale non elimina il rischio di lesioni, ma ne riduce la gravità in caso di incidente. Farsi consigliare dal rivenditore per la scelta dell'attrezzatura adatta.
- Elmetto protettivo laddove sussiste il rischio di caduta di oggetti.
- Usare cuffie protettive con effetto insonorizzante adeguato. Una lunga esposizione al rumore può comportare lesioni permanenti all'udito.
- Utilizzare protezioni per gli occhi omologate. Con l'uso della visiera è necessario anche l'uso di occhiali protettivi omologati. Con il termine occhiali protettivi omologati si intendono occhiali che siano conformi alle norme ANSI Z87.1 per gli USA o EN 166 per i paesi EU.
- Utilizzare una visiera per proteggere il viso. Una visiera non è sufficiente a proteggere gli occhi. (Fig. 9)
- Indossare guanti ove necessario, ad esempio per montare, ispezionare o pulire l'attrezzatura di taglio.
- Utilizzare stivali robusti e antiscrucciolo.
- Indossare indumenti di tessuto resistente. Indossare sempre pantaloni lunghi e pesanti e maniche lunghe.

Non indossare indumenti larghi che potrebbero impigliarsi nei ramoscelli e nei rami. Non indossare gioielli, pantaloni corti o sandali e non lavorare a piedi nudi. Raccogliere i capelli in modo sicuro sopra le spalle.

(Fig. 10)

- Tenere a portata di mano il kit di primo soccorso.

(Fig. 11)

Dispositivi di sicurezza sul prodotto



AVVERTENZA: Leggere le seguenti avvertenze prima di utilizzare il prodotto.

In questo capitolo vengono presentati i dispositivi di sicurezza del prodotto, la loro funzione, il controllo e la manutenzione necessari per assicurare una funzione ottimale. Vedere le istruzioni alla sezione *Introduzione alla pagina 100* per individuare la posizione di queste parti sul prodotto.

La durata del prodotto può ridursi e il rischio di incidenti aumentare se la manutenzione non viene eseguita correttamente e se l'assistenza e/o le riparazioni non vengono effettuate da personale qualificato. Per ulteriori informazioni, contattare il rivenditore con assistenza più vicino.



AVVERTENZA: Non utilizzare mai un prodotto con dispositivi di sicurezza danneggiati. I dispositivi di sicurezza di sicurezza del prodotto vanno controllati e sottoposti a manutenzione secondo quanto descritto in questo capitolo. Se il prodotto non supera tutti i controlli, contattare un'officina per le necessarie riparazioni.



ATTENZIONE: Tutte le riparazioni e l'assistenza della macchina vanno eseguite da personale specializzato. Quanto detto vale in particolare per i dispositivi di sicurezza della macchina. Se la macchina non supera tutti i controlli sottoelencati, contattare l'officina autorizzata. L'acquisto di uno dei nostri prodotti garantisce l'assistenza di personale qualificato. Se non avete acquistato la macchina presso un rivenditore con centro di assistenza, informatevi sull'ubicazione della più vicina officina autorizzata.

Controllo dell'interfaccia utente

1. Tenere premuto il pulsante ON/OFF (A). (Fig. 12)
 - a) Il prodotto è acceso quando il display (B) si accende.
 - b) Il prodotto è spento quando il display si spegne.

2. Se la spia di avvertenza sul display si accende o lampeggia, fare riferimento a *Tastiera alla pagina 109*.

Controllo del fermo della leva comando

Il blocco della leva di comando è stato progettato per impedire l'attivazione accidentale del prodotto. Quando si preme in avanti il blocco della leva di comando (A) e lo si preme contro l'impugnatura (B), la leva di comando (C) viene rilasciata. Quando si rilascia l'impugnatura, la leva di comando e il relativo blocco ritornano alla posizione iniziale. Il movimento avviene grazie a tre sistemi di molle indipendenti. (Fig. 13)

1. Controllare che la leva di comando sia bloccata quando il fermo si trova nella posizione iniziale. (Fig. 14)
2. Spingere il blocco della leva di comando in avanti (A) e verso il basso. Premere il blocco della leva di comando (B) e controllare che ritorni nella posizione originale non appena viene rilasciato. (Fig. 15)
3. Controllare che la leva di comando e il blocco si muovano liberamente e che il sistema di molle funzioni correttamente. (Fig. 16)
4. Tenere premuto il pulsante ON/OFF per accendere il prodotto.
5. Spingere la leva di comando fino in fondo per ottenere la velocità massima.
6. Rilasciare la leva di comando e accertarsi che il gruppo di taglio si arresti e rimanga fermo.

Istruzioni di sicurezza per il montaggio



AVVERTENZA: Leggere il presente manuale del gruppo di potenza insieme al manuale degli accessori approvati.

- Rimuovere la batteria dal prodotto prima di assemblarlo.
- Utilizzare i guanti protettivi approvati.
- Una protezione danneggiata o non corretta può causare lesioni. Non utilizzare un gruppo di taglio senza una protezione omologata fissata.
- Assicurarsi di montare correttamente il coperchio e l'albero prima di avviare il prodotto.
- Se un cinghiaggio viene fornito con l'accessorio, deve essere collegato correttamente al prodotto. Il cinghiaggio rende il funzionamento sicuro e previene lesioni all'operatore o ad altre persone.

Sicurezza batterie



AVVERTENZA: Leggere le seguenti avvertenze prima di utilizzare il prodotto.

- Utilizzare solo batterie omologate Husqvarna. Fare riferimento a *Batterie approvate alla pagina 111*. Le batterie sono codificate mediante software.
- Utilizzare le batterie omologate Husqvarna come alimentazione esclusivamente per i prodotti Husqvarna in questione. Per evitare il rischio di lesioni, non utilizzare la batteria come fonte di alimentazione per altri dispositivi.
- Rischio di scosse elettriche. Non collegare i morsetti della batteria a chiavi, monete, viti o altro tipo di metallo. Ciò può causare un corto circuito della batteria.
- Non utilizzare batterie non ricaricabili.
- Non inserire oggetti nelle feritoie di aerazione della batteria.
- Tenere la batteria lontano dalla luce del sole, dal calore o da fiamme libere. La batteria può causare bruciaciture e/o ustioni chimiche.
- Tenere la batteria lontano da pioggia e umidità.
- Tenere la batteria lontano da microonde e alta pressione.
- Non tentare di smontare o rompere la batteria.
- In caso di perdite dalla batteria, non lasciare che il liquido entri in contatto con il corpo o con gli occhi. In caso di contatto con il liquido, pulire l'area con grandi quantità di acqua e sapone e consultare un medico. In caso di contatto del liquido con gli occhi, non strofinare, ma sciacquare abbondantemente con acqua per almeno 15 minuti e chiamare un medico.
- Utilizzare la batteria a temperature comprese tra -10 °C (14 °F) e 40 °C (114 °F).
- Non pulire la batteria o il caricabatterie con acqua. Fare riferimento a *Per pulire il prodotto, la batteria e il caricabatterie alla pagina 109*.
- Non utilizzare una batteria danneggiata o che non funzioni correttamente.
- Conservare le batterie lontano da oggetti metallici, come ad esempio chiodi, viti o gioielli.
- Tenere la batteria fuori dalla portata dei bambini.

Sicurezza del caricabatterie



AVVERTENZA: Leggere le seguenti avvertenze prima di utilizzare il prodotto.

- Rischio di scosse elettriche o cortocircuiti se non si osservano le istruzioni di sicurezza.
- Non utilizzare un caricabatterie diverso da quello fornito per il prodotto. Utilizzare solo i caricabatterie approvati Husqvarna per caricare le batterie originali Husqvarna. Per le istruzioni, fare riferimento a *Dati tecnici alla pagina 111*.
- Non tentare di smontare il caricabatterie.
- Non utilizzare un caricabatterie danneggiato o che non funzioni correttamente.
- Non sollevare il caricabatterie tramite il cavo di alimentazione. Per scollegare il caricabatterie da una

presa di rete, tirare la spina. Non tirare il cavo di alimentazione.

- Tenere tutti i cavi e le prolunghe lontani da acqua, olio e bordi appuntiti. Fare attenzione affinché il cavo non si incastri in oggetti come, ad esempio, porte, recinti o simili.
- Non utilizzare il caricabatterie in prossimità di materiali infiammabili o materiali corrosivi. Accertarsi che il caricabatterie non sia coperto. Staccare la spina del caricabatterie in caso di fumo o incendio.
- Caricare la batteria solo in luoghi chiusi, in una posizione con un buon flusso d'aria e lontano dalla luce diretta del sole. Non caricare la batteria all'aperto. Non caricare la batteria in condizioni di umidità.
- Utilizzare esclusivamente il caricabatterie a temperature comprese tra 5 °C (41 °F) e 40 °C (104 °F). Utilizzare il caricabatterie in un ambiente con adeguato flusso d'aria, asciutto e privo di polvere.
- Non inserire oggetti nelle feritoie di raffreddamento del caricabatterie.
- Non collegare i terminali del caricabatterie a oggetti metallici, poiché si potrebbe provocare un cortocircuito del caricabatterie.
- Utilizzare prese di rete omologate che non siano danneggiate. Accertarsi che il cavo del caricabatterie non sia danneggiato. Se si utilizzano cavi di prolunga, accertarsi che questi non siano danneggiati.

Istruzioni di sicurezza per la manutenzione



AVVERTENZA: Leggere le avvertenze seguenti prima di eseguire la manutenzione del prodotto.

- Rimuovere la batteria prima di eseguire la manutenzione, altri controlli o montare il prodotto.
- L'operatore deve eseguire solo gli interventi di manutenzione e assistenza indicati in questo manuale operatore. Rivolgersi al Centro di assistenza di competenza per interventi di manutenzione e assistenza più importanti.
- Non pulire la batteria o il caricabatteria con acqua. Detergenti aggressivi possono causare danni alla plastica.
- Se non si esegue la manutenzione, si riduce il ciclo di vita del prodotto e aumenta il rischio di incidenti.
- È necessaria una formazione specifica per eseguire tutti gli interventi di manutenzione e lavori di riparazione, in particolare per i dispositivi di sicurezza del prodotto. Se non vengono approvati tutti i controlli descritti nel presente manuale operatore, dopo aver eseguito la manutenzione, contattare il Centro di assistenza. La nostra azienda garantisce la disponibilità di personale qualificato per le riparazioni e l'assistenza del prodotto.
- Utilizzare unicamente ricambi originali.

- Utilizzare guanti per lavori pesanti quando si ripara il gruppo di taglio. Le lame sono estremamente affilate e possono facilmente causare lesioni.

Montaggio

Montaggio dell'impugnatura ad anello

1. Fissare l'impugnatura ad anello sull'albero tra le frecce. Non posizionare l'impugnatura ad anello o l'occhiello di sospensione sull'etichetta. (Fig. 17)
2. Spostare il distanziale nella guida dell'impugnatura ad anello.
3. Fissare il dado, la manopola e la vite, non serrare eccessivamente.
4. Regolare il prodotto in una posizione comoda.
5. Serrare il bullone.

Assemblaggio dell'albero a due pezzi

1. Ruotare la manopola per allentare l'attacco. (Fig. 18)
2. Allineare la linguetta (A) con la freccia (B) sull'attacco. (Fig. 19)
3. Inserire l'albero nell'attacco finché non scatta in posizione. (Fig. 20)
4. Serrare completamente la manopola. (Fig. 21)

Smontaggio dell'albero a due pezzi

1. Ruotare la manopola 3 o più giri per allentare l'attacco. (Fig. 22)
2. Tenere premuto il pulsante (C).
3. Afferrare saldamente all'estremità dell'albero a cui è collegato il motore.
4. Estrarre l'accessorio dal raccordo (Fig. 23)

Installazione dell'anello di sospensione se applicabile

1. Montare l'anello di sospensione tra le frecce sull'impugnatura posteriore e l'impugnatura ad anello. (Fig. 24)

Nota: Non posizionare l'impugnatura ad anello sulla decalcomania.

2. Regolare l'anello in modo da bilanciare il prodotto, e da facilitarne l'utilizzo.

Utilizzo

Introduzione



AVVERTENZA: Leggere e comprendere il capitolo sulla sicurezza prima di utilizzare la macchina.

Husqvarna Connect

Husqvarna Connect è un'app gratuita per i dispositivi mobili. L'app Husqvarna Connect fornisce funzioni estese per il prodotto Husqvarna.

- Informazioni aggiuntive sul prodotto.
- Dettagli, guida, parti del prodotto e manutenzione.

Primo utilizzo di Husqvarna Connect

1. Scaricare l'app Husqvarna Connect sul proprio dispositivo mobile.
2. Registrarsi nell'app Husqvarna Connect.
3. Seguire le istruzioni dell'app Husqvarna Connect per collegare e registrare il prodotto.

Nota: L'app Husqvarna Connect non è disponibile per il download in tutti i mercati. Rivolgersi al centro di assistenza per maggiori informazioni.

Collegamento della batteria al prodotto



AVVERTENZA: Nel prodotto, utilizzare solo le batterie originali Husqvarna.

1. Verificare che la batteria sia completamente carica.
2. Spingere la batteria nel supporto della batteria del prodotto. La batteria si blocca in posizione quando si percepisce un clic. (Fig. 25)



ATTENZIONE: Se la batteria non entra facilmente nel relativo supporto, la batteria non è installata correttamente. Ciò può causare danni al prodotto.

3. Assicurarsi che la batteria sia installata correttamente.

Ricarica della batteria

Nota: È necessario caricare la batteria prima di utilizzarla per la prima volta. Una batteria nuova è carica solo al 30 %.

1. Verificare che la batteria sia asciutta.
2. Inserire la batteria nel caricabatteria. (Fig. 26)

Nota: La batteria e il caricabatterie possono avere un aspetto diverso a seconda del modello, ma la procedura è la stessa.

3. Accertarsi che la spia di carica verde sul caricabatterie si accenda. Ciò indica che la batteria è collegata correttamente al caricabatterie.
4. Quando tutti i LED sulla batteria sono accesi, la batteria è completamente carica. (Fig. 27)
5. Per scollegare il caricabatterie dalla presa di rete, tirare la spina. Non tirare il cavo.
6. Rimuovere la batteria dal caricabatterie.

Nota: Fare riferimento ai manuali della batteria e del caricabatterie per ulteriori informazioni.

Posizione di lavoro

- Tenere il prodotto con entrambe le mani.
- Tenere il prodotto sul lato destro del proprio corpo.
- Tenere il gruppo di taglio al di sotto della vita.
- Tenere il corpo lontano dalle superfici calde.
- Tenere il corpo lontano dal gruppo di taglio.

Prima di utilizzare il prodotto

- Esaminare l'area di lavoro per assicurarsi di conoscere il tipo di terreno, la pendenza e la presenza di ostacoli quali pietre, rami e fossi.
- Eseguire un'ispezione e revisione del prodotto.
- Eseguire i controlli di sicurezza, manutenzione ed assistenza indicati nel presente manuale.
- Accertarsi che tutti i coperchi, le protezioni, le impugnature e gli accessori siano fissati correttamente e non siano danneggiati.

Avviamento del prodotto

1. Tenere premuto il pulsante On/Off fino all'accensione del LED verde. (Fig. 28)

2. Usare la leva di comando per controllare la velocità.

Limitazione della velocità massima con il pulsante della modalità

Il prodotto dispone di un pulsante per la modalità. Con il pulsante di modalità l'operatore può limitare la velocità massima. Il pulsante di modalità ha 3 livelli di velocità. Un livello inferiore aumenta il tempo dell'operazione del prodotto. Il pulsante di modalità ha 3 livelli di velocità. Un livello inferiore aumenta il tempo dell'operazione del prodotto. Utilizzare il livello 1 e il livello 2 se l'operazione non richiede la massima velocità/potenza. Se le condizioni operative richiedono la velocità massima/piena potenza, utilizzare il livello 3. Non utilizzare un livello maggiore del necessario per l'operazione.

1. Premere il pulsante della modalità per impostare un limite alla velocità massima. Il LED bianco si accende per indicare che la funzione è attiva. (Fig. 29)
2. Premere nuovamente il pulsante della modalità per scegliere il livello di velocità successivo.

Funzione di arresto automatico

Il prodotto dispone di una funzione di arresto automatico che ne interrompe il funzionamento se non viene utilizzato per 3 minuti.

Arresto del prodotto

1. Rilasciare la leva di comando o il fermo della leva di comando.
2. Premere il pulsante On/Off. (Fig. 30)
3. Premere i pulsanti di rilascio sulla batteria ed estrarre la batteria. (Fig. 31)

Manutenzione

Introduzione



AVVERTENZA: Prima di eseguire qualsiasi lavoro di manutenzione, è necessario leggere e capire il capitolo relativo alla sicurezza.

Programma di manutenzione



AVVERTENZA: Rimuovere la batteria prima di eseguire la manutenzione.

Qui di seguito è disponibile una lista delle operazioni di manutenzione da eseguire sul prodotto. Oltre agli interventi di manutenzione specificati nel programma di manutenzione, fare in modo che sia un centro di assistenza Husqvarna a eseguire regolarmente interventi di manutenzione sul prodotto. Per informazioni sugli intervalli di manutenzione, contattare il centro di assistenza Husqvarna.

Manutenzione	Giornaliera	Una volta a settimana	Una volta al mese
Pulire le parti esterne del prodotto con un panno asciutto. Non utilizzare acqua.	X		
Accertarsi che il pulsante di alimentazione funzioni correttamente e che non sia danneggiato.	X		
Assicurarsi che il fermo della leva di comando e la leva di comando funzionino correttamente e in modo sicuro.	X		
Accertarsi che tutti i comandi funzionino e non siano danneggiati.	X		
Mantenere le impugnature asciutte, pulite e prive di olio e grasso.	X		
Assicurarsi che i dadi e le viti siano serrati a fondo.	X		
Accertarsi che i pulsanti di rilascio sulla batteria funzionino e che tengano la batteria bloccata nel prodotto.	X		
Verificare che la batteria non sia danneggiata.	X		
Verificare che la batteria sia carica.	X		
Verificare che il caricabatterie non sia danneggiato e funzioni correttamente.	X		
Esaminare tutti i cavi, gli accoppiamenti e i raccordi. Verificare che siano integri e privi di sporcizia.		X	
Effettuare un controllo dei collegamenti tra la batteria e il prodotto. Controllare il collegamento tra la batteria e il caricabatterie.			X

Per pulire il prodotto, la batteria e il caricabatterie

1. Pulire il prodotto con un panno asciutto dopo l'uso.
2. Pulire la batteria e il caricabatterie con un panno asciutto. Mantenere puliti i binari guida della batteria.
3. Assicurarsi che i morsetti della batteria e il caricabatterie siano puliti prima di posizionare la batteria nel caricabatterie o nel prodotto.

Albero in due pezzi

Applicare del grasso sull'estremità dell'albero di trasmissione ogni 30 ore di funzionamento. Esiste il rischio che le estremità dell'albero di trasmissione (innesti) sui modelli smontabili grappino se non vengono ingrassate regolarmente. (Fig. 32)

Ricerca guasti

Tastiera

Display a LED	Possibili guasti	Possibile soluzione
Il LED verde attivo lampeggia	La tensione della batteria è bassa.	Caricare la batteria.

Display a LED	Possibili guasti	Possibile soluzione
Il LED rosso di errore lampeggia	Sovraccarico.	Il gruppo di taglio è bloccato: disattivare il prodotto. Rimuovere la batteria. Pulire il gruppo di taglio da materiali indesiderati.
	Deviazione di temperatura.	Lasciar raffreddare il prodotto.
	La leva di comando e il pulsante di accensione vengono premuti contemporaneamente.	Rilasciare la leva comando per attivare il prodotto.
Il prodotto non si avvia	Presenza di sporcizia nei collegamenti della batteria.	Pulire i collegamenti della batteria con aria compressa o con un pennello morbido.
Il LED di errore si illumina di rosso.	Il prodotto richiede manutenzione.	Contattare un'officina autorizzata.

Trasporto, stoccaggio e smaltimento

Trasporto e stoccaggio

- Le batterie agli ioni di litio in dotazione rispettano i requisiti di legge sulle merci pericolose.
- Rispettare i requisiti speciali riportati sulla confezione e sulle etichette per il trasporto commerciale, compreso quello effettuato da terzi e da corrieri.
- Parlare con personale che ha seguito una formazione specifica in materiali pericolosi prima di inviare il prodotto. Rispettare tutte le norme nazionali vigenti.
- Quando si inserisce la batteria in un contenitore, applicare del nastro adesivo sui contatti aperti. Inserire la batteria nel contenitore in modo da garantirne la massima aderenza.
- Rimuovere la batteria per la conservazione o il trasporto.
- Conservare la batteria e il caricabatterie in un luogo asciutto, privo di umidità e protetto dal gelo.
- Non conservare la batteria in aree elettricamente statiche. Non conservare mai la batteria in una scatola di metallo.
- Durante il rimessaggio, conservare la batteria in un luogo dove la temperatura è compresa tra 5 °C/41 °F e 25 °C/77 °F e lontano da luce solare.
- Durante il rimessaggio, conservare il caricabatterie in un luogo dove la temperatura è compresa tra 5 °C/41 °F e 45 °C/113 °F e lontano da luce solare.
- Utilizzare il caricabatterie soltanto quando la temperatura circostante è compresa tra 5 °C/41 °F e 40 °C/104 °F.

- Caricare la batteria dal 30% al 50% prima di immagazzinarla per lunghi periodi.
- Conservare il caricabatterie in un luogo chiuso e asciutto.
- Tenere la batteria lontano dal caricabatterie durante il rimessaggio. Non lasciare che i bambini e altre persone non autorizzate tocchino l'attrezzatura. Mantenere le attrezzature in un luogo che è possibile chiudere.
- Pulire il prodotto ed eseguire una manutenzione completa prima di conservarlo per lunghi periodi.
- Utilizzare la protezione di trasporto sul prodotto per evitare che si danneggi durante il trasporto e il rimessaggio.
- Bloccare il prodotto in modo sicuro durante il trasporto.

Smaltimento della batteria, del caricabatterie e del prodotto

I simboli sul prodotto o sull'imballaggio indicano che il presente prodotto non è rifiuto domestico. Riciclarlo in una stazione di riciclaggio per apparecchiature elettriche ed elettroniche. Ciò contribuisce ad evitare danni all'ambiente e alle persone.

Contattare le autorità locali, il servizio per i rifiuti domestici o il rivenditore per ulteriori informazioni su come riciclare il prodotto.

Dati tecnici

Dati tecnici

	325iLK
Motore	
Tipo di motore	BLDC (senza spazzole) 36V
Regime albero in uscita, giri/min	8400
Peso	
Peso (solo gruppo di potenza), kg	2,9
Emissioni di rumore ^{57, 58}	
Livello di potenza acustica, misurato dB(A)	89-103
Livello acustico, garantito L _{WA} dB(A)	90-106
Livelli di rumorosità ^{59, 60}	
Livello di pressione acustica rispetto all'udito dell'operatore, misurato a norma EN 62841-1, dB (A):	78-93
Livelli di vibrazioni ^{61, 62}	
Livelli di vibrazioni delle impugnature, misurati in base alla norma EN 62841-1, m/s ²	1,3-5,5/1,1-3,1

Batterie approvate

Batteria	BLI200	40-B220X
Tipo	Ioni di litio	Ioni di litio
Capacità batteria, Ah	5,2	6,0
Tensione nominale, V	36	36

⁵⁷ Emissioni di rumore nell'ambiente misurate come potenza sonora (LWA) in base alla direttiva CE 2000/14/CE. Il livello di potenza acustica riportato per il macchinario è stato misurato con il gruppo di taglio originale che emette il livello massimo. La differenza tra potenza acustica misurata e garantita è che la potenza acustica garantita comprende anche la dispersione nel risultato di misurazione e le variazioni tra le diverse macchine dello stesso modello come da Direttiva 2000/14/CE.

⁵⁸ L'intervallo di rumorosità indica il valore misurato dal più basso al più alto.

⁵⁹ I dati riportati relativi al livello di pressione acustica della macchina hanno una tipica dispersione statistica (deviazione standard) di 3 dB (A) e sono stati misurati con il gruppo di taglio originale che fornisce il massimo livello.

⁶⁰ L'intervallo di rumorosità indica il valore misurato dal più basso al più alto.

⁶¹ I dati riportati per il livello di vibrazioni presentano una dispersione statistica tipica (deviazione standard) di 2 m/s². Per il confronto dei livelli di vibrazioni, della batteria e dei prodotti a combustione, utilizzare il calcolatore delle vibrazioni. <https://www.husqvarna.com/uk/services-solutions/vibration-calculator/>.

⁶² L'intervallo di rumorosità indica il valore misurato dal più basso al più alto.

Batteria	BLi200	40-B220X
Peso, kg (lb)	1,3 (2,9)	1,4 (3,1)

Caricabatterie omologati

Caricabatterie	QC330	40-C500X
Tensione di entrata, V	100-240	100-240
Frequenza, Hz	50-60	50-60
Potenza, W	330	500

Accessori

Attrezzi

Accessori approvati	Numero accessorio⁶³	Gruppo di accessori⁶⁴	Da usarsi con
Accessorio decespugliatore BCA850	1	1-10	325iLK
Accessorio soffiatore BA101	11	11-20	325iLK
Accessorio tagliabordi ECA850	21	21-30	325iLK
Accessorio tagliabordi ESA850	22	21-30	325iLK
Accessorio tagliasiepi HA860	32	31-40	325iLK
Accessorio potatore ad asta PAX730	41	41-50	325iLK
Accessorio potatore ad asta PAX1100	42	41-50	325iLK
Accessorio sega PA1100	43	41-50	325iLK
Accessorio spazzatrice SR600-2	51	51-60	325iLK
Accessorio con spazzola a setole BR600	52	51-60	325iLK
Accessorio arieggiatore DT600	53	51-60	325iLK
Accessorio zappatrice CA230	54	51-60	325iLK
Accessorio reciprocatore RA850	2	1-10	525iLK

⁶³ Si tratta del numero specifico di un accessorio approvato all'interno di un gruppo di accessori.

⁶⁴ Gli accessori approvati sono suddivisi in gruppi di accessori. Ogni gruppo di accessori ha caratteristiche e decalcomanie simili.

Dichiarazione di conformità

Dichiarazione di conformità UE

Husqvarna AB, SE-561 82 Huskvarna, Svezia, tel.:
+46-36-146500, dichiara sotto la propria esclusiva
responsabilità che il prodotto indicato:

Descrizione	Gruppo di potenza alimentato a batteria (trimmer)
Marchio	Husqvarna
Tipo/Modello	325iLK (unità base)
Identificazione	Numeri di serie a partire da 2024 e successivi

È pienamente conforme alle seguenti norme e direttive
UE:

Direttiva/norma	Descrizione
2006/42/CE	"sulle macchine"
2014/30/EMC	"sulla compatibilità elettromagnetica"
2011/65/UE	"sulla restrizione dell'uso di sostanze pericolose"
2000/14/CE	"sul rumore esterno"

e che sono applicati gli standard e/o
le specifiche tecniche seguenti: EN ISO
12100:2010, EN 62841-1:2015+AC:2015+A11:2022, EN
62841-4-2:2019+A11:2022+A1:2022, IEC 62841-4-4:
2020+A1:2024, IEC 62841-4-6:2022, ISO 11449:1994,
EN ISO 11680-1:2021, EN 61000-6-3:2007+A1:2011,
EN 61000-6-1:2016, EN IEC 63000:2018.

SMP Svensk Maskinprovning AB, Box 4053, SE-904
03 Umeå, Sweden ha eseguito un controllo volontario
secondo l'allegato IX della 2006/42/CE. N. certificato:
SEC/24/2593.

Organo competente: SMP Svensk Maskinprovning AB,
ha inoltre verificato la conformità con l'Allegato V
della Direttiva del Consiglio 2000/14/CE. N. certificato:
01/1610/013.

Per informazioni sulle emissioni acustiche, fare
riferimento a *Dati tecnici alla pagina 111*.

Huskvarna, 2024-02-01

Responsabile della documentazione tecnica



Sig. Stefan Holmberg, Responsabile R&S, Technology
Management, Husqvarna AB, Svezia

Contenido

Introducción.....	114	Resolución de problemas.....	124
Seguridad.....	115	Transporte, almacenamiento y eliminación.....	124
Montaje.....	121	Datos técnicos.....	125
Funcionamiento.....	121	Accesorios.....	126
Mantenimiento.....	123	Declaración de conformidad.....	127

Introducción

Uso previsto

Se trata de una unidad de alimentación que solamente funciona con accesorios homologados; para conocer

Descripción del producto

(Fig. 1)

1. Manual de usuario
2. Llave Allen de 4 mm
3. Asa cerrada
4. Cierre
5. Botón de encendido/apagado
6. Botón de modo de velocidad
7. Bloqueo del gatillo de alimentación
8. Interfaz de usuario
9. Gatillo de alimentación
10. Cargador de batería (accesorio)
11. Indicador de carga y de error del cargador
12. Botones para extraer la batería
13. Batería (accesorio)
14. Indicador LED del estado de carga
15. LED de advertencia
16. Botón del testigo de la batería
17. Acoplamiento para el accesorio

Nota: La batería y el cargador pueden tener un aspecto diferente dependiendo de los distintos modelos.

Símbolos que aparecen en el producto

(Fig. 2) **ADVERTENCIA:** Este producto puede ser peligroso. Un uso descuidado o negligente puede provocar heridas graves o mortales al usuario o terceros. Es sumamente importante que lea y comprenda el contenido de este manual de usuario. Lea detenidamente el manual de usuario y asegúrese de entender su contenido antes de utilizar el producto.

(Fig. 3) Desconecte la batería antes de realizar cualquier trabajo de mantenimiento.

(Fig. 4) Tensión nominal, V

los accesorios homologados, consulte *Accesorios en la página 126*. Lea este documento junto con el manual del accesorio homologado.

(Fig. 5) Corriente continua.

(Fig. 6) El producto cumple con las directivas CE vigentes.

(Fig. 7) Los símbolos del producto o del embalaje indican que este producto no puede desecharse como residuo doméstico. El producto debe depositarse en las instalaciones de reciclaje correspondientes.

(Fig. 8) El producto está protegido frente a las salpicaduras de agua.

aaaassxxxx | En la placa de características técnicas se indica el número de serie. **aaaa** es el año de producción, **ss** es la semana de producción y **xxxx** es el número secuencial.

Nota: Los demás símbolos y etiquetas que aparecen en el producto corresponden a requisitos de homologación específicos en otras zonas comerciales.

Fabricante

Husqvarna AB

Drottningatan 2, SE-561 82 Huskvarna, Sweden, tel: +46-36-146500

Daños en el producto

No nos hacemos responsables de los daños que pueda sufrir el producto si:

- El producto se ha reparado incorrectamente.
- El producto se ha reparado con piezas que no eran del fabricante o no autorizadas por el fabricante.

- El producto tiene un accesorio que no es del fabricante o no está autorizado por este.
- El producto no se ha reparado en un centro de servicio autorizado o por un organismo homologado.

instrucciones, guías de resolución de problemas o utilizar Husqvarna Self-Service y el Asistente de productos (si están disponibles en su mercado). Para obtener más asistencia sobre el producto, póngase en contacto con su distribuidor Husqvarna.

Asistencia

Para obtener asistencia sobre el producto, vaya a la sección Asistencia en donde podrá acceder a

Seguridad

Definiciones de seguridad

Las advertencias, precauciones y notas se utilizan para destacar información especialmente importante del manual.



ADVERTENCIA: Indica un riesgo de lesiones o incluso de muerte del usuario o de las personas cercanas si no se respetan las instrucciones del manual.



PRECAUCIÓN: Indica un riesgo de daños en el producto, otros materiales o el área adyacente si no se respetan las instrucciones del manual.

Nota: Se usa para proporcionar más información necesaria en una situación determinada.

Advertencias generales de seguridad relacionadas con la herramienta eléctrica



ADVERTENCIA: Lea el manual del accesorio homologado junto con este manual de la unidad de alimentación.



ADVERTENCIA: Lea todas las advertencias de seguridad, instrucciones, ilustraciones y especificaciones que se suministran con esta herramienta eléctrica. Si no se siguen las instrucciones que aparecen a continuación, puede producirse una descarga eléctrica, un incendio o lesiones graves.

Nota: Conserve todas las advertencias e instrucciones para su consulta. El término «herramienta eléctrica» empleado en las advertencias hace referencia a una herramienta eléctrica que funciona con conexión a la red de suministro (con cable) o a una herramienta que funciona con batería (sin cable).

Seguridad en el área de trabajo

- **Mantenga el área de trabajo limpia y bien iluminada.** Las zonas abarrotadas de cosas u oscuras favorecen los accidentes.
- **No utilice máquinas en atmósferas explosivas, como en presencia de líquidos, gases o polvo inflamables.** Las máquinas crean chispas que pueden prender el polvo o los vapores.
- **Mantenga alejados a los niños y a otras personas mientras trabaje utilice una máquina.** Las distracciones pueden hacer que pierda el control de esta.

Seguridad eléctrica

- **El enchufe de la máquina debe ser apto para la toma de corriente utilizada. Nunca modifique el enchufe. No utilice adaptadores en máquinas con conexión a tierra.** Use enchufes sin modificar y tomas de corriente del mismo tipo que estos para reducir el riesgo de descarga eléctrica.
- **Evite el contacto de su cuerpo con superficies puestas a tierra como tuberías, radiadores, cocinas y neveras,** ya que esto aumenta el riesgo de descarga eléctrica.
- **No esponga la máquina a la lluvia ni a ambientes húmedos.** Si entra agua en la máquina, aumentará el riesgo de recibir descargas eléctricas.
- **Maneje el cable con cuidado. No lo utilice nunca para transportar la máquina, tirar de ella o desenchufarla. Manténgalo alejado de fuentes de calor, aceite, aristas vivas o piezas móviles.** Los cables dañados o enredados incrementan el riesgo de descarga eléctrica.
- **Cuando trabaje con una máquina en exteriores, utilice un cable alargador apto para exteriores.** Utilizar un cable adecuado para su uso en exteriores reduce el riesgo de descarga eléctrica.
- **Si es necesario utilizar la máquina en un lugar húmedo, use un interruptor diferencial como protección.** La utilización de un interruptor diferencial reduce el riesgo de descargas eléctricas.

Seguridad personal

- **Preste atención en todo momento, fíjese en lo que está haciendo y utilice la máquina con sentido común. No utilice la máquina si está cansado o bajo los efectos de estupefacientes, alcohol o**

medicamentos. Un momento de descuido puede causar lesiones graves.

- **Utilice el equipo de protección personal. Use siempre protección ocular.** Los equipos de protección, como la mascarilla antipolvo, el calzado de seguridad antideslizante, el casco o los protectores auriculares utilizados en las condiciones adecuadas, reducirán el riesgo de lesiones.
- **Evite la puesta en marcha accidental de la herramienta. Asegúrese de que el interruptor está en la posición de apagado antes de conectar la máquina a la fuente de alimentación o la batería, cogerla o transportarla.** Transportar la máquina con el dedo puesto sobre el interruptor o conectar la alimentación con el interruptor en la posición de encendido puede provocar accidentes.
- **Retire todas las llaves de ajuste o herramientas antes de encender la máquina.** Si se deja una llave de tuercas o herramienta colocada en una pieza giratoria de la máquina, se pueden producir lesiones.
- **No se estire demasiado. Mantenga una posición correcta y el equilibrio en todo momento.** Así podrá controlar mejor la máquina en situaciones imprevistas.
- **Utilice la ropa adecuada. No utilice nunca ropa amplia ni joyas. Mantenga el pelo y la ropa alejados de las piezas móviles.** La ropa holgada, las joyas o el pelo largo pueden quedar atrapados en las piezas móviles.
- **Si se suministran equipos de aspiración o captación de polvo, asegúrese de que estén conectados y se utilicen correctamente.** El uso de estos equipos puede reducir los riesgos derivados del polvo.
- **Evite que la familiaridad adquirida con el uso frecuente de la máquina le lleve a confiarse e ignorar los principios de seguridad.** Una acción negligente puede causar lesiones graves en una fracción de segundo.

Uso y mantenimiento de la máquina

- **No sobrecargue la máquina. Utilice la máquina adecuada para el trabajo que deba realizar.** Con la máquina apropiada hará el trabajo mejor y con mayor seguridad a la potencia para la que fue diseñada.
- **No utilice la máquina si el interruptor de encendido y apagado no funciona.** Las máquinas que no se puedan controlar con el interruptor son peligrosas y deben repararse.
- **Desconecte el enchufe de la fuente de alimentación o quite la batería de la máquina, si se puede, antes de realizar cualquier ajuste, cambiar accesorios o guardar la máquina.** Las medidas de seguridad preventivas reducen el riesgo de poner en marcha la máquina de forma accidental.
- **Si no utiliza la máquina, guárdela fuera del alcance de los niños y no permita que personas no familiarizadas con su uso o con estas instrucciones**

la manejen. La máquina puede ser peligrosa en manos de usuarios no cualificados.

- **Efectúe el mantenimiento de la máquina y de los accesorios. Compruebe que no haya partes móviles mal alineadas o trabadas, piezas rotas o cualquier otra circunstancia que pueda afectar al funcionamiento de la máquina. Si detecta daños, lleve la máquina a reparar antes de usarla.** Muchos accidentes se deben al uso de máquinas que carecen de un mantenimiento adecuado.
- **Mantenga las herramientas de corte afiladas y limpias.** Las máquinas de corte bien afiladas y con un mantenimiento adecuado tienen menos probabilidades de trabarse y son más fáciles de controlar.
- **Utilice la máquina, los accesorios, los útiles, etc., según se indica en estas instrucciones, teniendo en cuenta las condiciones de trabajo y la tarea que debe realizar.** El uso de la máquina para trabajos distintos a aquellos para los que fue diseñada podría dar lugar a situaciones peligrosas.
- **Mantenga las asas y superficies de agarre secas, limpias y sin aceite ni grasa.** Si las asas y las superficies de agarre están resbaladizas, no podrá manejar ni controlar de forma segura la máquina ante cualquier imprevisto.

Uso y cuidados de la herramienta a batería

- **Efectúe las recargas únicamente con el cargador especificado por el fabricante.** Un cargador apto para un tipo de batería puede comportar riesgo de incendio al utilizarse con otra batería distinta.
- **Utilice las máquinas exclusivamente con las baterías específicas para ellas.** El uso de otra batería puede comportar riesgo de lesiones e incendio.
- **Cuando no utilice la batería, manténgala alejada de objetos metálicos pequeños que puedan conectar un terminal con otro, como clips, monedas, llaves, clavos, tornillos, etc.** Un cortocircuito en los terminales de la batería puede causar quemaduras o un incendio.
- **En condiciones extremas, el líquido puede salir expulsado de la batería; evite cualquier contacto con él. Si se produjera un contacto accidentalmente, enjuáguese con agua. Además, si el líquido entra en contacto con los ojos, busque asistencia médica.** El líquido expulsado de la batería puede causar irritaciones o quemaduras.
- **No utilice baterías o máquinas dañadas o modificadas.** Las baterías dañadas o modificadas pueden comportarse de forma impredecible y provocar incendios, explosiones o lesiones.
- **No exponga la batería o la máquina al fuego ni a temperaturas excesivas.** La exposición al fuego o a temperaturas superiores a 130 °C (265 °F) puede causar una explosión.
- **Siga todas las instrucciones de carga y no cargue la batería o la máquina fuera del intervalo de temperaturas especificado en las instrucciones.** La carga incorrecta o a temperaturas fuera del intervalo

especificado puede dañar la batería y aumentar el riesgo de incendio.

Mantenimiento

- **Las tareas de mantenimiento de la máquina solo deben llevarlas a cabo los técnicos cualificados que utilicen piezas de repuesto originales.** Esto garantizará la seguridad de la máquina.
- **No realice ningún mantenimiento en baterías dañadas.** La revisión y reparación de las baterías solo debe realizarla el fabricante o proveedores de servicios autorizados.

Otra información de seguridad general

- Si va a trasladarse de un lugar a otro, apague primero el producto. No olvide extraer la batería cuando vaya a dejar el producto a otra persona.
- Nunca deje el producto en el suelo, a menos que lo haya apagado y extraído la batería. No deje el producto desatendido mientras esté en funcionamiento.
- La herramienta de corte no se detiene inmediatamente después de apagar el producto.
- Antes de usar el producto, y después de cualquier impacto, compruebe que no hay signos de desgaste o daños y, si fuera necesario, repárelo.
- Si algo se atasca en el equipo de corte mientras trabaja con el producto, deténgalo y apáguelo. Asegúrese de que el equipo de corte se detiene por completo. Quite la batería antes de limpiar, inspeccionar o reparar el producto o el equipo de corte.
- Compruebe el producto antes de utilizarlo. Consulte *Dispositivos de seguridad en el producto en la página 119* y *Mantenimiento en la página 123*. No utilice un producto dañado. Lleve a cabo las comprobaciones de seguridad y siga las instrucciones de mantenimiento y servicio descritas en este manual.
- Un equipo de corte defectuoso puede aumentar el riesgo de accidentes.
- Compruebe que el engranaje no tenga suciedad ni grietas. Limpie el engranaje de hierba y hojas con un cepillo. Se deben utilizar guantes cuando sea necesario.
- Asegúrese de que las aberturas de ventilación no presentan residuos en ningún momento.
- Compruebe que el cabezal de corte está bien acoplado a la recortadora.
- Todas las tapas, protecciones y asas deben estar montadas antes de arrancar la máquina.
- Compruebe que el producto esté en perfecto estado de funcionamiento. Verifique que todas las tuercas y tornillos estén apretados.
- Asegúrese de que el cabezal de corte y la protección de la recortadora no estén dañados ni presenten grietas. Cambie el cabezal de corte o la protección de la recortadora si han recibido golpes o están agrietados. Utilice siempre la

protección recomendada para cada equipo de corte en particular. Consulte *Datos técnicos en la página 125*.

- Este producto es una herramienta peligrosa si no se usa con cuidado o si se utiliza de forma incorrecta. Este producto puede ocasionar lesiones graves o mortales tanto al usuario como a cualquier otra persona.
- Este aparato no debe ser utilizado por personas (incluidos niños) con habilidades físicas, sensoriales o mentales reducidas, o con falta de experiencia y conocimientos, a menos que lo hagan bajo supervisión o reciban instrucción en relación con el uso del aparato por parte de una persona responsable de su seguridad. Debe vigilarse a los niños para asegurarse de que no juegan con el aparato.
- No permita nunca que los niños utilicen la máquina ni permanezcan cerca de ella. La máquina es muy fácil de arrancar y los niños podrían hacerlo si no se les vigila lo suficiente. lo que supone un riesgo de daños personales graves. Por consiguiente, desconecte la batería cuando la máquina no esté bajo supervisión.
- No permita nunca que los niños ni otras personas sin formación utilicen o reparen el producto o su batería.
- Guarde el equipo en un lugar seguro fuera del alcance de los niños y las personas no autorizadas.
- La cubierta de transporte debe usarse siempre para el almacenamiento y el transporte.
- Mantenga las manos y los pies lejos del área de corte en todo momento y, especialmente, al encender el motor.
- Cuando se apague el producto, mantenga las manos y los pies alejados del equipo de corte hasta que se haya detenido por completo.
- No retire el material cortado ni permita que otras personas lo retiren con el producto en marcha o el equipo de corte en funcionamiento; esto puede dar lugar a lesiones graves.
- Tenga en cuenta que es usted, como usuario, el responsable de no exponer a otras personas ni a su propiedad a riesgos o accidentes.
- Bajo ninguna circunstancia debe modificarse la configuración original del producto sin autorización del fabricante. Utilice siempre accesorios originales. Las modificaciones o los accesorios no autorizados pueden ocasionar accidentes graves o incluso la muerte del operario o de terceros. Su garantía no cubre daños o responsabilidades provocadas por la utilización de accesorios o piezas de repuesto no autorizados.
- Los únicos accesorios que pueden utilizarse con este producto son los equipos de corte que recomendamos en el capítulo Accesorios. Consulte *Accesorios en la página 126*.
- No utilice nunca un producto que haya sido modificado y no se corresponda con la configuración original.

- No utilice nunca un producto defectuoso. Lleve a cabo las comprobaciones de seguridad y siga las instrucciones de mantenimiento y servicio de este manual. Algunas medidas de mantenimiento y servicio deben ser efectuadas por especialistas formados y cualificados. Consulte las instrucciones del apartado Mantenimiento.
- Trabajar con mal tiempo es fatigoso y a menudo añade riesgos innecesarios. Debido al riesgo añadido, no se recomienda utilizar la máquina con muy mal tiempo, por ejemplo, con niebla densa, lluvia intensa, vientos fuertes, frío extremo, riesgo de tormenta eléctrica, etc.
- No trabaje nunca desde una escalera, taburete u otra posición elevada que no tenga un apoyo completamente seguro.
- Guarde los aparatos que no esté utilizando en un recinto cerrado y a cubierto.
- Es imposible abarcar todas las situaciones que pueden darse. Utilice siempre el equipo con cuidado y sentido común. Evite todas aquellas situaciones que considere que sobrepasan sus capacidades. Si, después de leer estas instrucciones, no está seguro del procedimiento que debe seguir, consulte a un experto antes de continuar.
- Mientras esté trabajando, evite que cualquier persona o animal se acerque a menos de 15 metros (50 pies). Si hay varios operarios trabajando en el mismo lugar, la distancia de seguridad entre ellos debe ser de al menos 15 metros (50 pies). De lo contrario, existe el riesgo de daños personales graves. Pare el producto inmediatamente si alguien se acerca. Nunca se dé la vuelta con el producto si no ha verificado antes que no hay nadie detrás, dentro de la zona de seguridad.
- Asegúrese de que ninguna persona, animal ni objeto pueda afectar a su control sobre el producto ni entrar en contacto con el equipo de corte ni con objetos sueltos que salgan despedidos por la acción del equipo de corte. No use el producto a no ser que sea capaz de pedir ayuda en caso de accidente.
- Compruebe que pueda caminar y mantenerse de pie con seguridad. Examine la zona a su alrededor en busca de posibles obstáculos (raíces, piedras, ramas, zanjas, etc.) en caso de que tenga que moverse rápidamente. Proceda con sumo cuidado al trabajar en terreno inclinado.
- Camine, en ningún caso corra.
- Inspeccione la zona de trabajo. Quite todos los materiales sueltos, como piedras, cristales rotos, clavos, alambres, cordones, etc., que puedan salir despedidos o enredarse en la recortadora o en su protección.
- Tenga cuidado con los trozos de ramas que pueden salir despedidos durante el corte. No corte demasiado cerca del suelo cuando haya piedras u otros objetos que puedan salir despedidos.
- Procure que ninguna prenda de vestir ni ninguna parte del cuerpo entren en contacto con el equipo de

corte cuando el producto está activado. Mantenga el producto por debajo de la cintura.

- Cuidado con los objetos que salen despedidos. Se debe utilizar siempre protección ocular homologada. No se incline nunca sobre la protección del equipo de corte. La máquina puede lanzar piedras, basura, etc., contra los ojos y causar ceguera o daños graves.
- Cuando use protectores auriculares, preste siempre atención a las señales o llamadas de advertencia. Qítense siempre los protectores auriculares en cuanto se detenga el motor del producto.
- Si se producen vibraciones inusuales, extraiga más hilo hasta obtener la longitud adecuada para que las vibraciones cesen.
- Si el producto arranca con vibraciones anómalas, deténgalo y extraiga la batería.
- La sobreexposición a las vibraciones puede provocar problemas circulatorios y dolencias de carácter nervioso, especialmente en personas con patologías circulatorias. Acuda a un médico si nota síntomas que puedan relacionarse con la sobreexposición a las vibraciones. Ejemplos de estos síntomas son: entumecimiento, pérdida de sensibilidad, hormigueo, punzadas, dolor, pérdida o reducción de la fuerza normal, y cambios en el Color o la superficie de la piel. Estos síntomas se presentan normalmente en dedos, manos y muñecas.
- Sujete siempre el producto con ambas manos. Mantenga el producto en el lado derecho del cuerpo.

Personal protective equipment



ADVERTENCIA: Lea las siguientes instrucciones de advertencia antes de utilizar el producto.

- Para trabajar con el producto, debe utilizar siempre un equipo de protección personal homologado. El equipo de protección personal no elimina completamente el riesgo de lesiones, pero reduce la gravedad de las lesiones en caso de accidente. Deje que el distribuidor le ayude a seleccionar el equipo adecuado.
- Use un casco protector cuando exista el riesgo de que caigan objetos.
- Use protectores auriculares homologados con suficiente capacidad de reducción sonora. La exposición prolongada al ruido puede causar daños crónicos en el oído.
- Utilice protección ocular homologada. Si se utiliza visor, deben utilizarse también gafas protectoras homologadas. Por gafas protectoras homologadas se entienden las que cumplen con la norma ANSI Z87.1 para EE. UU. o EN 166 para países de la UE.
- Utilice una pantalla de protección facial para proteger la cara. La pantalla no es suficiente para la protección ocular.

(Fig. 9)

- Utilice guantes cuando sea necesario, por ejemplo, para el montaje, inspección o limpieza del equipo de corte.
- Utilice botas antideslizantes y seguras.
- Use indumentaria de material resistente. Use siempre pantalones largos y gruesos, y mangas largas. No lleve ropa suelta que pueda quedar atrapada en los arbustos y ramas. No trabaje con joyas, pantalones cortos, sandalias ni los pies descalzos. Recójase el pelo por encima de los hombros.

(Fig. 10)

- Mantenga el equipo de primeros auxilios cerca.

(Fig. 11)

Dispositivos de seguridad en el producto



ADVERTENCIA: Lea las siguientes instrucciones de advertencia antes de utilizar el producto.

En este apartado se describen los componentes de seguridad del producto, su función y el modo de efectuar el control y el mantenimiento para garantizar un funcionamiento óptimo. Consulte las instrucciones del apartado *Introducción en la página 114* para conocer dónde se encuentran estas piezas en el producto.

La vida útil del producto puede acortarse y el riesgo de accidentes puede aumentar si el mantenimiento no se hace de forma adecuada y si los trabajos de servicio y reparación no se efectúan de forma profesional. Si necesita más información, solicítela al distribuidor de su zona.



ADVERTENCIA: No emplee nunca un producto cuyos componentes de seguridad estén dañados. Efectúe la inspección y el mantenimiento del equipo de seguridad del producto tal como se describe en este apartado. Si el producto no supera cualquiera de estas pruebas, póngase en contacto con el taller de servicio para repararlo.



PRECAUCIÓN: Todos los trabajos de servicio y reparación de la máquina requieren una formación especial. Esto es especialmente cierto en lo que respecta al equipo de seguridad del producto. Si la máquina no pasa alguno de los controles indicados a continuación, acuda a su taller de servicio local. La compra de alguno de nuestros productos le garantiza que puede recibir un mantenimiento y servicio profesional. Si no ha adquirido la máquina en uno de nuestros distribuidores

especializados con taller de servicio, solicite información sobre el taller más cercano.

Comprobación de la interfaz de usuario

1. Mantenga presionado el botón de encendido/apagado (A). (Fig. 12)
 - a) El producto está encendido cuando la pantalla (B) está encendida.
 - b) El producto está apagado cuando la pantalla se apaga.
2. Si el indicador de advertencia de la pantalla se enciende o parpadea, consulte *Teclado en la página 124*.

Comprobación del bloqueo del gatillo de alimentación

El bloqueo del gatillo de alimentación tiene como objetivo evitar un uso accidental. Al empujar el bloqueo del gatillo de alimentación hacia delante (A) y, a continuación, presionarlo contra el asa (B), el gatillo de alimentación (C) se libera. Al soltar el mango, el gatillo de alimentación y el bloqueo vuelven ambos a sus posiciones originales. Este movimiento se controla mediante tres muelles independientes.

(Fig. 13)

1. Asegúrese de que el gatillo de alimentación está bloqueado cuando el bloqueo está en la posición inicial. (Fig. 14)
2. Empuje el bloqueo del gatillo de alimentación hacia delante (A) y hacia abajo. Sujete el bloqueo del gatillo de alimentación contra el asa (B) y asegúrese de que vuelva a su posición inicial al soltarlo. (Fig. 15)
3. Compruebe que el gatillo de alimentación y el bloqueo se mueven con facilidad y que los muelles de retorno funcionan correctamente. (Fig. 16)
4. Mantenga pulsado el botón de encendido/apagado para encender el producto.
5. Presione el gatillo de alimentación completamente para aplicar la máxima velocidad.
6. Suelte el gatillo de alimentación y compruebe que el equipo de corte se para y permanece inmóvil.

Instrucciones de seguridad para el montaje



ADVERTENCIA: Lea este manual de la unidad de alimentación junto con el manual del accesorio homologado.

- Retire la batería del producto antes de montarlo.
- Utilice guantes protectores homologados.
- Una protección dañada o incorrecta puede causar lesiones. No utilice un accesorio de corte que no disponga de una protección homologada.

- Asegúrese de montar la cubierta y el tubo correctos antes de poner en marcha el producto.
- Si se suministra un arnés con el accesorio, este deberá fijarse correctamente al producto. El arnés hace que el trabajo sea seguro y evita lesiones al usuario u otras personas.

Seguridad de la batería



ADVERTENCIA: Lea las siguientes instrucciones de advertencia antes de utilizar el producto.

- Utilice únicamente baterías aprobadas por Husqvarna. Consulte *Baterías homologadas en la página 125*. Las baterías están encriptadas mediante software.
- Utilice las baterías aprobadas por Husqvarna como fuente de alimentación solo para los productos Husqvarna relacionados. Para evitar lesiones, no utilice la batería como fuente de alimentación de otros dispositivos.
- Riesgo de descarga eléctrica. Evite que los terminales de la batería entren en contacto con llaves, monedas, tornillos u otros objetos metálicos. Esto puede provocar un cortocircuito en la batería.
- No utilice baterías no recargables.
- No coloque objetos en las ranuras de ventilación de la batería.
- Mantenga la batería lejos de la luz directa del sol, de fuentes de calor o de las llamas. La batería puede provocar quemaduras o quemaduras químicas.
- Mantenga la batería resguardada de la lluvia y la humedad.
- Mantenga la batería lejos de microondas y fuentes de alta presión.
- No intente desmontar o romper la batería.
- Si se produce una fuga en la batería, no permita que el líquido entre en contacto con el cuerpo ni con los ojos. Si toca el líquido, limpie el área con abundante agua y jabón, y solicite atención médica. Si el líquido entra en contacto con los ojos, no los frote: enjuáguelos con abundante agua durante al menos 15 minutos y solicite atención médica.
- Utilice la batería a temperaturas entre -10 °C (14 °F) y 40 °C (104 °F).
- No limpie la batería ni el cargador con agua. Consulte *Para limpiar el producto, la batería y el cargador de la batería en la página 123*.
- No utilice una batería que esté dañada o que no funcione correctamente.
- Guarde la batería alejada de objetos metálicos, como clavos, tornillos o joyas.
- Mantenga la batería alejada de los niños.

Seguridad del cargador de batería



ADVERTENCIA: Lea las siguientes instrucciones de advertencia antes de utilizar el producto.

- Existe riesgo de descarga eléctrica o cortocircuito si no se siguen las instrucciones de seguridad.
- No utilice cargadores de batería diferentes al suministrado con su producto. Utilice únicamente cargadores de batería Husqvarna aprobados para cargar las baterías originales de Husqvarna. Consulte *Datos técnicos en la página 125* para obtener instrucciones.
- No intente desmontar el cargador de batería.
- No utilice un cargador de batería que esté dañado o que no funcione correctamente.
- No levante el cargador de batería tirando del cable de alimentación. Para desconectar el cargador de batería de la toma de corriente, tire del enchufe. No tire del cable de alimentación.
- Mantenga todos los cables y cables de extensión, alejados del agua, el aceite y los bordes afilados. Proceda con cuidado para evitar que el cable se enganche en objetos como puertas, vallas o similares.
- No utilice el cargador de batería cerca de materiales inflamables o corrosivos. Asegúrese de que el cargador de batería no está cubierto. Desenchufe el cargador de batería si produce humo o se incendia.
- Cargue la batería solo en interiores, en un lugar con buena ventilación y lejos de la luz solar directa. No cargue la batería en el exterior. No cargue la batería en un entorno húmedo.
- Utilice solamente el cargador de batería a temperaturas entre 5 °C (41 °F) y 40 °C (104 °F). Utilice el cargador en un entorno ventilado, seco y sin polvo.
- No cubra las ranuras de ventilación del cargador.
- Evite que los terminales del cargador de batería entren en contacto con objetos metálicos: pueden cortocircuitar el cargador.
- Utilice tomas de corriente homologadas y que estén en buen estado. Asegúrese de que el cable del cargador de batería no esté dañado. Si utiliza cables de extensión, asegúrese de que no estén dañados.

Instrucciones de seguridad para el mantenimiento



ADVERTENCIA: Lea las instrucciones de advertencia siguientes antes de realizar el mantenimiento del producto.

- Retire la batería antes de realizar tareas de mantenimiento, otras comprobaciones o montar el producto.

- El usuario debe realizar solo el mantenimiento y las reparaciones indicadas en este manual. Acuda a su taller de servicio autorizado para las tareas de mantenimiento y reparaciones más importantes.
- No limpie la batería o el cargador con agua. Los detergentes agresivos pueden provocar daños en el plástico.
- Si no se realiza el mantenimiento, el ciclo de vida del producto disminuye y aumenta el riesgo de accidentes.
- Para realizar todos los trabajos de mantenimiento y reparación, especialmente en los dispositivos de seguridad en el producto, es necesaria una formación especial. Si no están aprobadas todas las comprobaciones de este manual de usuario después de realizar tareas de mantenimiento, acuda al taller de su distribuidor local. Le garantizamos que realizarán reparaciones y mantenimiento profesionales en su producto.
- Utilice únicamente piezas de repuesto originales.
- Utilice siempre guantes resistentes para reparar el equipo de corte. Las cuchillas están muy afiladas y pueden causar lesiones con facilidad.

Montaje

Montaje del mango cerrado

1. Fije el mango cerrado sobre el eje, entre las flechas. No coloque el mango cerrado ni el anillo de suspensión sobre la etiqueta. (Fig. 17)
2. Desplace el distanciador hasta la ranura del mango cerrado.
3. Fije la tuerca, la perilla y el tornillo; no los apriete por completo.
4. Ajuste el producto en una posición que le resulte cómoda.
5. Apriete el perno.

Para montar el tubo de dos piezas

1. Gire la mariposa para aflojar el acoplamiento. (Fig. 18)
2. Alinee la pestaña (A) con la flecha (B) del acoplamiento. (Fig. 19)
3. Introduzca el tubo en el acoplamiento hasta que encaje en su posición. (Fig. 20)

4. Apriete la mariposa por completo. (Fig. 21)

Para desmontar el tubo de dos piezas

1. Gire la mariposa 3 vueltas o más para aflojar el acoplamiento. (Fig. 22)
2. Mantenga presionado el botón (C).
3. Sujete firmemente el extremo del tubo donde está el motor.
4. Tire del accesorio para desacoplarlo. (Fig. 23)

Instalación de la argolla de suspensión (si procede)

1. Instale la argolla de suspensión entre las flechas del mango trasero y el mango cerrado. (Fig. 24)

Nota: No coloque el mango cerrado sobre la etiqueta.

2. Ajuste la argolla de tal forma que el producto quede equilibrado y sea fácil de usar.

Funcionamiento

Introducción



ADVERTENCIA: Asegúrese de leer y comprender el capítulo sobre seguridad antes de usar el producto.

Husqvarna Connect

Husqvarna Connect es una aplicación gratuita para su dispositivo móvil. La aplicación Husqvarna Connect proporciona más funciones para su producto Husqvarna.

- Información ampliada sobre el producto.
- Información y asistencia sobre piezas y mantenimiento de productos.

Uso de Husqvarna Connect

1. Descargue la aplicación Husqvarna Connect en su dispositivo móvil.
2. Registre una cuenta en la aplicación Husqvarna Connect.
3. Siga las instrucciones de la aplicación Husqvarna Connect para conectarse y registrar el producto.

Nota: La aplicación Husqvarna Connect no se puede descargar en todos los mercados. Póngase en contacto con su distribuidor para obtener más información.

Para conectar la batería al producto



ADVERTENCIA: Utilice solo baterías Husqvarna originales en el producto.

1. Asegúrese de que la batería está completamente cargada.
2. Inserte la batería en el soporte del producto. La batería quedará fija en su posición cuando oiga un clic. (Fig. 25)



PRECAUCIÓN: Si la batería no se mueve con facilidad en el soporte, no se habrá instalado correctamente. Esto puede provocar daños en el producto.

3. Asegúrese de que la batería está instalada correctamente.

Carga de la batería

Nota: Cargue la batería si es la primera vez que la utiliza. Una batería nueva solo tiene una carga del 30 %.

1. Asegúrese de que la batería esté seca.
2. Coloque la batería en el cargador. (Fig. 26)

Nota: La batería y su cargador pueden tener un aspecto diferente dependiendo de los distintos modelos, pero el procedimiento es el mismo.

3. Asegúrese de que se enciende la luz de carga verde en el cargador. Eso significa que la batería está conectada correctamente al cargador.
4. Cuando todos los LED de la batería se hayan encendido, la batería estará totalmente cargada. (Fig. 27)
5. Para desconectar el cargador de batería de la toma de corriente, tire del enchufe. No tire del cable.
6. Retire la batería del cargador.

Nota: Consulte los manuales de la batería y del cargador para obtener más información.

Posición de trabajo

- Sujete el producto con las 2 manos.
- Mantenga el producto en el lado derecho del cuerpo.
- Mantenga el equipo de corte por debajo de la cintura.
- Mantenga cualquier parte del cuerpo alejada de las superficies calientes.

- Mantenga cualquier parte del cuerpo alejada del equipo de corte.

Antes de utilizar el producto

- Examine la zona de trabajo para asegurarse de que conoce el tipo de terreno y la pendiente, y para verificar si hay obstáculos como piedras, ramas y zanjas.
- Realice una inspección general del producto.
- Lleve a cabo las inspecciones de seguridad, y las labores de mantenimiento y servicio que se indican en este manual.
- Asegúrese de que todas las cubiertas, las protecciones, las empuñaduras y los accesorios estén bien montados y no presenten daños.

Encendido del producto

1. Mantenga pulsado el botón de encendido/apagado hasta que el LED verde se encienda. (Fig. 28)
2. Utilice el gatillo de alimentación para controlar la velocidad.

Limitación de la velocidad máxima con el botón de modo

El producto cuenta con un botón de modo con el que el usuario puede limitar la velocidad máxima. El botón de modo permite 3 niveles de velocidad. Un nivel inferior aumenta el tiempo de funcionamiento del producto. El botón de modo permite 3 niveles de velocidad. Un nivel inferior aumenta el tiempo de funcionamiento del producto. Utilice los niveles 1 y 2 si la tarea no requiere la máxima velocidad ni la máxima potencia. Si las condiciones de funcionamiento requieren una potencia o una velocidad máximas, utilice el nivel 3. No utilice un nivel superior al necesario para la operación.

1. Pulse el botón de modo para establecer un límite de velocidad máxima. Los LED blancos se encienden para indicar que la función está activada. (Fig. 29)
2. Vuelva a pulsar el botón de modo para seleccionar el siguiente nivel de velocidad.

Función de parada automática

El producto cuenta con una función de parada automática que detiene el producto si no lo usa durante 3 minutos.

Parada del producto

1. Suelte el gatillo de alimentación o su bloqueo.
2. Pulse el botón de encendido/apagado. (Fig. 30)
3. Pulse los botones de liberación de la batería para extraerla. (Fig. 31)

Mantenimiento

Introducción



ADVERTENCIA: Antes de realizar cualquier trabajo de mantenimiento, debe leer y entender el capítulo sobre seguridad.

A continuación incluimos una lista con los pasos de mantenimiento que hay que efectuar en el producto. Además de las operaciones especificadas en el programa de mantenimiento, lleve el producto a un taller de servicio Husqvarna regularmente. Para obtener información sobre los intervalos de mantenimiento, póngase en contacto con su taller de servicio Husqvarna.

Programa de mantenimiento



ADVERTENCIA: Extraiga la batería antes de realizar tareas de mantenimiento.

Mantenimiento	Diario	Semanal	Mensualmente
Limpie la parte exterior del producto con un trapo seco. No utilice agua.	X		
Compruebe que el botón de encendido/apagado funcione correctamente y no esté dañado.	X		
Por seguridad, asegúrese de que el gatillo de alimentación y su bloqueo funcionan correctamente.	X		
Asegúrese de que todos los mandos funcionen y no estén dañados.	X		
Mantenga las asas y los mangos secos, limpios y sin aceite ni grasa.	X		
Asegúrese de que los tornillos y las tuercas están bien apretados.	X		
Asegúrese de que los botones de liberación de la batería funcionan y fijan la batería en el producto.	X		
Asegúrese de que la batería no esté dañada.	X		
Asegúrese de que la batería está cargada.	X		
Compruebe que el cargador de la batería no esté dañado y funcione correctamente.	X		
Examine todos los cables, acoplamientos y conexiones. Asegúrese de que no estén dañados ni sucios.		X	
Realice una comprobación de las conexiones entre la batería y el producto. Realice una comprobación de la conexión entre la batería y el cargador de batería.			X

Para limpiar el producto, la batería y el cargador de la batería

1. Limpie el producto con un paño seco después de su uso.
2. Limpie la batería y cargador de batería con un paño limpio y seco. Mantenga las guías de la batería limpias.
3. Asegúrese de que los terminales de la batería y del cargador estén limpios antes de colocar la batería en el cargador o en el producto.

Eje de dos piezas

Aplice grasa en el extremo del eje propulsor después de cada 30 horas de funcionamiento. Existe el riesgo de que las puntas del eje propulsor (uniones ranuradas) de los modelos divisibles se agarren si no se lubrican regularmente.
(Fig. 32)

Resolución de problemas

Teclado

Indicadores LED	Posibles errores	Posible acción
LED verde de activación parpadeando	Tensión de la batería baja.	Cargue la batería.
LED rojo de error parpadeando	Sobrecarga.	El equipo de corte se ha atascado. Apague el producto. Desmonte la batería. Retire la suciedad del equipo de corte.
	Desviación de la temperatura.	Deje que el producto se enfríe.
	El gatillo de alimentación y el botón de activación se pulsan simultáneamente.	Suelte el gatillo de alimentación y el producto se pondrá en marcha.
El producto no arranca	Conectores de la batería sucios.	Limpie los conectores de la batería con aire comprimido o con un cepillo suave.
El LED rojo de error está encendido.	Es necesario realizar tareas de mantenimiento en el producto.	Póngase en contacto con su taller de servicio.

Transporte, almacenamiento y eliminación

Transporte y almacenamiento

- Las baterías de iones de litio incluidas cumplen los requisitos de la normativa sobre mercancías peligrosas.
- Siga el requisito especial indicado en el paquete y en las etiquetas para el transporte comercial, incluso por terceros y agentes de transporte.
- Hable con alguien con formación especial en materiales peligrosos antes de enviar el producto. Respete todas las normativas nacionales aplicables.
- Cubra con cinta los contactos abiertos cuando ponga la batería en un paquete. Embale bien la batería en el paquete para evitar que se mueva.
- Extraiga la batería si va a guardar o transportar el producto.
- Coloque la batería y el cargador en un lugar seco y protegido de la humedad y las heladas.
- No almacene la batería en lugares donde pueda generarse electricidad estática. No guarde la batería en una caja metálica.
- Guarde la batería a una temperatura de entre 5 °C (41 °F) y 25 °C (77 °F), y protegida de la luz directa del sol.
- Guarde el cargador de batería a una temperatura de entre 5 °C y 45 °C (41 °F y 113 °F), y protegido de la luz directa del sol.

- Utilice el cargador de batería solo cuando la temperatura ambiente oscile entre 5 °C (41 °F) y 40 °C (104 °F).
- Cargue la batería entre el 30 % y el 50 % antes de guardarla durante periodos de tiempo prolongados.
- Guarde el cargador de batería en un espacio cerrado y seco.
- Cuando guarde la batería, manténgala alejada del cargador. No permita que los niños ni otras personas no autorizadas toquen el equipo. Guarde el equipo en un lugar que pueda cerrarse con llave.
- Limpie el producto y realice un mantenimiento completo antes de guardarlo durante un periodo de tiempo prolongado.
- Utilice la protección de transporte del producto para evitar lesiones o daños en el producto durante el transporte y almacenamiento.
- Fije el producto firmemente durante el transporte.

desecho de la batería, el cargador y el producto

Los símbolos del producto o del embalaje del producto indican que este producto no es un residuo doméstico. Recíclelo en un centro de reciclaje para equipos eléctricos y electrónicos. Esto ayudará a evitar dañar el medioambiente y las personas.

Datos técnicos

Datos técnicos

	325iLK
Motor	
Tipo de motor	BLDC (sin escobillas) 36 V
Velocidad en el eje de salida, 1/min	8400
Peso	
Peso (solo unidad de alimentación), kg	2,9
Emisiones de ruido ^{65, 66}	
Nivel de potencia acústica medido, dB(A)	89-103
Nivel de potencia acústica garantizado L _{WA} dB(A)	90-106
Niveles de ruido ^{67, 68}	
Nivel de presión sonora en el oído del usuario, medido conforme a EN 62841-1, dB (A):	78-93
Niveles de vibración ^{69, 70}	
Niveles de vibración en las asas, medidos conforme a EN 62841-1, m/s ²	1,3-5,5/1,1-3,1

Baterías homologadas

Batería	BLi200	40-B220X
Tipo	Ion-litio	Ion-litio
Capacidad de la batería, Ah	5,2	6,0
Tensión nominal, V	36	36

⁶⁵ Emisiones sonoras en el entorno medidas como potencia acústica (LWA) según la directiva 2000/14/CE. El nivel referido de potencia sonora de la máquina se ha medido con el accesorio de corte original que produce el nivel más elevado. La diferencia entre la potencia acústica garantizada y la medida es que la potencia acústica garantizada también incluye en el resultado de la medición la dispersión y las variaciones entre diferentes máquinas del mismo modelo, conforme a la directiva 2000/14/CE.

⁶⁶ El rango de ruido indica el valor medido del más bajo al más alto.

⁶⁷ Los datos relativos al nivel de presión sonora de la máquina tienen una dispersión estadística habitual (desviación estándar) de 3 dB(A) y se han medido con el accesorio original que produce el nivel más elevado.

⁶⁸ El rango de ruido indica el valor medido del más bajo al más alto.

⁶⁹ Los datos referidos del nivel de vibración poseen una dispersión estadística habitual (desviación típica) de 2 m/s². Para comparar los niveles de vibraciones en los productos con batería y los productos de combustión, utilice la calculadora de vibraciones: <https://www.husqvarna.com/uk/services-solutions/vibration-calculator/>.

⁷⁰ El rango de ruido indica el valor medido del más bajo al más alto.

Batería	BLi200	40-B220X
Peso, kg (lb)	1,3 (2,9)	1.4 (3.1)

Cargadores de batería homologados

Cargador de batería	QC330	40-C500X
Tensión de entrada, V	100-240	100-240
Frecuencia, Hz	50-60	50-60
Potencia, W	330	500

Accesorios

Accesorios

Accesorios homologados	Número de accesorio⁷¹	Grupo de accesorios⁷²	Se usa con
Accesorio de desbrozadora BCA850	1	1-10	325iLK
Accesorio soplador BA101	11	11-20	325iLK
Accesorio de rebordeadora ECA850	21	21-30	325iLK
Accesorio de rebordeadora ESA850	22	21-30	325iLK
Accesorio de cortasetos HA860	32	31-40	325iLK
Accesorio de motosierra de poda PAX730	41	41-50	325iLK
Accesorio de motosierra de poda PAX1100	42	41-50	325iLK
Accesorio de sierra PA1100	43	41-50	325iLK
Accesorio barredor SR600-2	51	51-60	325iLK
Accesorio de cepillo de púas BR600	52	51-60	325iLK
Accesorio escarificador DT600	53	51-60	325iLK
Accesorio de cultivadora CA230	54	51-60	325iLK
Accesorio de cuchillas con movimiento alternativo RA850	2	1-10	525iLK

⁷¹ Se trata de un número concreto correspondiente a un accesorio homologado dentro de un grupo de accesorios.

⁷² Los accesorios homologados se dividen en grupos de accesorios. Los accesorios de cada grupo comparten características y etiquetas similares.

Declaración de conformidad

Declaración de conformidad CE

Nosotros, **Husqvarna AB**, SE-561 82 Huskvarna (Suecia), tel. +46-36-146500, declaramos bajo nuestra exclusiva responsabilidad que el producto:

Descripción	Unidad de alimentación accionada por batería (recortadora de césped)
Marca	Husqvarna
Tipo/Modelo	325iLK (solo unidad)
Identificación	Números de serie a partir del año 2024

Cumple las siguientes directivas y normas de la UE:

Directiva/Norma	Descripción
2006/42/CE	"relativa a las máquinas"
2014/30/EMC	"relativa a la compatibilidad electromagnética"
2011/65/UE	"relativa a la restricción de utilización de sustancias peligrosas"
2000/14/CE	"relativa al ruido en exteriores"

Y que se aplican las especificaciones técnicas o los estándares siguientes: EN ISO 12100:2010, EN 62841-1:2015+AC:2015+A11:2022, EN 62841-4-2:2019+A11:2022+A1:2022, IEC 62841-4-4:2020+A1:2024, IEC 62841-4-6:2022, ISO 11449:1994, EN ISO 11680-1:2021, EN 61000-6-3:2007+A1:2011, EN 61000-6-1:2016, EN IEC 63000:2018.

SMP Svensk Maskinprovning AB, (Box 4053, SE-904 03 Umeå, Sweden) ha realizado un examen de tipo voluntario de conformidad con el anexo IX de la Directiva 2006/42/CE. Número de certificado: SEC/24/2593.

Organismo notificado: SMP Svensk Maskinprovning AB, ha comprobado también la conformidad con el apéndice V de la Directiva del Consejo 2000/14/CE. Número de certificado: 01/1610/013.

Para obtener información respecto a las emisiones sonoras, consulte *Datos técnicos en la página 125*.

Huskvarna, 2024-02-01

Responsable de la documentación técnica



Stefan Holmberg, Director de I+D, Gestión de tecnología, Husqvarna AB (Suecia).

Inhalt

Einleitung.....	128	Fehlerbehebung.....	138
Sicherheit.....	129	Transport, Lagerung und Entsorgung.....	139
Montage.....	135	Technische Angaben.....	140
Betrieb.....	136	Zubehör.....	142
Wartung.....	137	Konformitätserklärung.....	143

Einleitung

Verwendungszweck

Dieses Antriebsaggregat ist eine separates Teil, das nur in Verbindung mit zugelassenem Zubehör einsatzbereit

Geräteübersicht

(Abb. 1)

1. Bedienungsanleitung
2. Inbusschlüssel 4 mm
3. Loophandgriff
4. Knopf
5. On/Off-Taste
6. Tempo-Modus-Taste
7. Gashebelsperre
8. Benutzeroberfläche
9. Gashebel
10. Akkuladegerät (Zubehör)
11. Lade- und Fehleranzeige am Ladegerät
12. Akkuentriegelungstaste
13. Akku (Zubehör)
14. LED-Anzeige des Ladezustands
15. Warn-LED
16. Akkuanzeigetaste
17. Kupplung für Anbaugerät

Hinweis: Akku und Ladegerät können bei verschiedenen Modellen unterschiedlich aussehen.

Symbole auf dem Gerät

(Abb. 2) **WARNUNG!** Dieses Gerät kann gefährlich sein! Unsachgemäße oder nachlässige Handhabung kann zu schweren oder tödlichen Verletzungen des Bedieners oder anderer Personen führen. Es ist sehr wichtig, dass Sie den Inhalt dieser Bedienungsanleitung lesen und verstehen. Lesen Sie die Bedienungsanleitung sorgfältig durch, und machen Sie sich vor der Benutzung des Geräts mit dem Inhalt vertraut.

(Abb. 3) Trennen Sie den Akku vor der Wartung.

ist. Siehe zugelassenes Zubehör unter *Zubehör auf Seite 142*. Lesen Sie diese Bedienungsanleitung zusammen mit der Bedienungsanleitung des zugelassenen Zubehörs.

(Abb. 4) Nennspannung, V

(Abb. 5) Gleichstrom.

(Abb. 6) Dieses Gerät entspricht den geltenden EG-Richtlinien.

(Abb. 7) Symbole auf dem Gerät oder seiner Verpackung weisen darauf hin, dass dieses Gerät nicht über den Hausmüll entsorgt werden darf. Vielmehr muss es in einer geeigneten Recycling-Einrichtung entsorgt werden.

(Abb. 8) Das Gerät ist gegen Spritzwasser geschützt.

yyyywwxxxx Auf dem Typenschild ist die Seriennummer angegeben. **yyyy** ist das Produktionsjahr, **ww** die Produktionswoche und **xxxx** die fortlaufende Nummer.

Hinweis: Weitere Symbole/Aufkleber auf dem Gerät beziehen sich auf die Zertifizierungsanforderungen für andere kommerzielle Bereiche.

Hersteller

Husqvarna AB
Drottninggatan 2, SE-561 82 Huskvarna, Sweden, tel: +46-36-146500

Produktschäden

Wir haften nicht für Schäden an unserem Produkt, wenn:

- das Gerät nicht ordnungsgemäß repariert wird.

- das Gerät mit Teilen repariert wird, die nicht vom Hersteller stammen oder nicht vom Hersteller zugelassen sind.
- ein Zubehörteil mit dem Gerät verwendet wird, das nicht vom Hersteller stammt oder nicht vom Hersteller zugelassen ist.
- das Gerät nicht bei einem zugelassenen Service Center oder von einem zugelassenen Fachmann repariert wird.

Support

Wenn Sie Unterstützung zu diesem Gerät benötigen, navigieren Sie auf zum Support-Bereich, um auf Anweisungen und Anleitungen zur Fehlerbehebung zuzugreifen, oder verwenden Sie den Husqvarna Self-Service und den Produktassistenten (falls in Ihrem Markt verfügbar). Wenden Sie sich an Ihren Husqvarna Servicehändler, um weiteren Support für das Gerät zu erhalten.

Sicherheit

Sicherheitsdefinitionen

Warnungen, Vorsichtsmaßnahmen und Hinweise werden verwendet, um auf besonders wichtige Teile der Bedienungsanleitung hinzuweisen.



WARNUNG: Wird verwendet, wenn bei Nichtbeachtung der Anweisungen in diesem Handbuch die Gefahr von Verletzung oder Tod des Bedieners oder anderer Personen besteht.



ACHTUNG: Wird verwendet, wenn bei Nichtbeachtung der Anweisungen in diesem Handbuch die Gefahr von Schäden am Gerät, an anderen Materialien oder in der Umgebung besteht.

Hinweis: Für weitere Informationen, die in bestimmten Situationen nötig sind.

Allgemeine Sicherheitshinweise für Elektrowerkzeuge



WARNUNG: Lesen Sie die Betriebsanleitung des zugelassenen Zubehörs zusammen mit der Betriebsanleitung dieses Antriebsaggregats.



WARNUNG: Lesen Sie alle für dieses Elektrowerkzeug vorgesehenen Sicherheitshinweise, Anleitungen, Abbildungen und technischen Daten. Wenn Sie die unten stehenden Anweisungen nicht befolgen, kann dies zu elektrischen Schlägen, Brand und/oder schweren Verletzungen führen.

Hinweis: Bewahren Sie alle Warnhinweise und Anweisungen für spätere Referenzzwecke auf. Der Begriff „Elektrowerkzeug“ in den Warnhinweisen bezieht sich auf ein Elektrowerkzeug mit Netzbetrieb (über ein Kabel) oder mit Akkubetrieb (kabellos).

Sicherheit im Arbeitsbereich

- **Sorgen Sie für einen sauberen und gut ausgeleuchteten Arbeitsbereich.** Durch zugestellte oder dunkle Arbeitsbereiche steigt die Unfallgefahr stark an.
- **Betreiben Sie das Gerät nicht in explosionsgefährdeten Umgebungen, z. B. in der Nähe von entzündlichen Flüssigkeiten, Gasen oder Staub.** Geräte erzeugen Funken, die Staub oder Dämpfe entzünden können.
- **Sorgen Sie bei der Arbeit mit dem Gerät dafür, dass sich keine Kinder oder unbefugte Personen in der Nähe befinden.** Durch Ablenkungen können Sie die Kontrolle über das Werkzeug verlieren.

Elektrische Sicherheit

- **Die Netzstecker des Geräts müssen zur Steckdose passen. Der Netzstecker darf in keiner Weise verändert werden. Verwenden Sie bei Geräten mit Schutzkontakt (geerdet) niemals Adapterstecker.** Nicht modifizierte Stecker und passende Steckdosen reduzieren das Risiko eines Stromschlags.
- **Vermeiden Sie Körperkontakt mit geerdeten Gegenständen wie Rohrleitungen, Heizungen, Herden oder Kühlschränken.** Bei Körperkontakt mit geerdeten Gegenständen besteht ein erhöhtes Stromschlagrisiko.
- **Setzen Sie das Gerät weder Regen noch Feuchtigkeit aus.** Wenn Wasser in das Gerät eindringt, erhöht sich das Stromschlagrisiko.
- **Verwenden Sie das Anschlusskabel nicht missbräuchlich. Verwenden Sie das Anschlusskabel niemals zum Tragen oder Heranziehen des Geräts, und ziehen Sie den Stecker nicht am Anschlusskabel aus der Steckdose. Halten Sie das Kabel fern von Hitzequellen, Öl, scharfen Kanten und beweglichen Teilen.** Beschädigte oder verdrehte Anschlusskabel erhöhen das Stromschlagrisiko.
- **Wenn Sie das Gerät im Freien benutzen, verwenden Sie ein für den Außeneinsatz geeignetes Verlängerungskabel.** Die Verwendung eines für den Außeneinsatz geeigneten Kabels verringert das Risiko eines Stromschlags.
- **Falls der Einsatz des Geräts in einer feuchten Umgebung nicht zu vermeiden ist, benutzen Sie eine Stromversorgung mit FI-Schutzschalter (RCD). Die**

Verwendung einer Fehlerstrom-Schutzeinrichtung (RCD) verringert das Risiko eines elektrischen Schlags.

Persönliche Sicherheit

- **Bleiben Sie aufmerksam, achten Sie auf das, was Sie tun, und setzen Sie Ihren gesunden Menschenverstand ein, wenn Sie mit dem Gerät arbeiten. Verwenden Sie das Gerät nicht, wenn Sie müde sind oder unter dem Einfluss von Drogen, Alkohol oder Medikamenten stehen.** Bei der Arbeit mit dem Gerät können bereits kurze Phasen der Unaufmerksamkeit zu schweren Verletzungen führen.
- **Tragen Sie eine persönliche Schutzausrüstung. Tragen Sie stets einen Augenschutz.** Schutzausrüstung wie Atemschutzmaske, rutschsichere Sicherheitsschuhe, Schutzhelm und Gehörschutz senkt bei angemessenem Einsatz das Verletzungsrisiko.
- **Vermeiden Sie ein versehentliches Starten. Achten Sie darauf, dass sich der Schalter in der OFF-Stellung befindet, bevor Sie das Elektrowerkzeug an die Stromversorgung und/oder den Akku anschließen oder es hochheben oder herumtragen.** Durch Herumtragen des Geräts mit dem Finger am Schalter bzw. das Einstecken des Steckers bei betätigtem Schalter erhöht sich das Unfallrisiko.
- **Entfernen Sie sämtliche Einstellschlüssel, bevor Sie das Gerät einschalten.** Ein an einem beweglichen Teil des Geräts angebrachter Schlüssel kann zu Verletzungen führen.
- **Sorgen Sie für einen festen Stand. Achten Sie jederzeit darauf, sicher zu stehen und das Gleichgewicht zu bewahren.** Dadurch haben Sie das Gerät in unerwarteten Situationen besser im Griff.
- **Kleiden Sie sich richtig. Tragen Sie niemals lose sitzende Kleidung oder Schmuck. Halten Sie Haar und Kleidung von beweglichen Teilen fern.** Lose sitzende Kleidung, Schmuck oder langes Haar kann von beweglichen Teilen erfasst werden.
- **Wenn Anschlüsse für Staubabsaug- und Staubsammelvorrichtungen vorhanden sind, sorgen Sie dafür, dass diese richtig angeschlossen und eingesetzt werden.** Die Verwendung von Staubsammelvorrichtungen vermindert durch Staub verursachte Gefahren.
- **Lassen Sie nicht zu, dass Sie wegen Vertrautheit durch häufige Verwendung der Werkzeuge selbstgefällig werden und die Sicherheitsgrundsätze der Werkzeuge ignorieren.** Eine achtlose Handlung kann im Bruchteil einer Sekunde zu schweren Verletzungen führen.

Nutzung und Pflege des Geräts

- **Überbeanspruchen Sie das Gerät nicht. Beschränken Sie sich für Ihren Einsatz auf das korrekte Gerät.** Das korrekte Gerät wird die Aufgabe besser und sicherer ausführen mit der Leistung, für die es ausgelegt ist.

- **Benutzen Sie das Gerät nicht, wenn es sich nicht am Schalter ein- und ausschalten lässt.** Jedes Gerät, das nicht mit dem Schalter betätigt werden kann, stellt eine Gefahr dar und muss repariert werden.
- **Trennen Sie das Gerät von der Stromversorgung bzw. entfernen Sie den Akku, bevor Sie Einstellungen vornehmen, Zubehörteile austauschen oder das Gerät verstauen.** Mit diesen Präventivmaßnahmen reduzieren Sie das Risiko eines versehentlichen unkontrollierten Starts des Gerätes.
- **Lagern Sie nicht benutzte Geräte außerhalb der Reichweite von Kindern, und lassen Sie nicht zu, dass Personen das Gerät bedienen, die nicht mit dem Gerät selbst und/oder diesen Anweisungen vertraut sind.** Die Geräte stellen in ungeschulten Händen eine Gefahr dar.
- **Pflegen Sie das Gerät und das Zubehör. Prüfen Sie, ob bewegliche Teile falsch eingestellt sind oder klemmen, ob Teile gebrochen oder so weit beschädigt sind, dass der Betrieb des Geräts beeinträchtigt werden kann. Bei Beschädigungen lassen Sie das Gerät reparieren, bevor Sie es benutzen.** Viele Unfälle sind auf schlechte Gerätewartung zurückzuführen.
- **Halten Sie Schneidwerkzeuge scharf und sauber.** Ordnungsgemäß gewartete Schneidwerkzeuge mit scharfen Schnittkanten bleiben seltener hängen und sind einfacher zu bedienen.
- **Benutzen Sie Gerät, Zubehör, Aufsätze und Ähnliches in Übereinstimmung mit diesen Anweisungen und auf die für das jeweilige Elektrowerkzeug bestimmungsgemäße Weise und beachten Sie dabei die jeweiligen Arbeitsbedingungen und die Art der auszuführenden Arbeiten.** Der Einsatz des Geräts für bestimmungswidrige Zwecke kann zu Gefahrensituationen führen.
- **Halten Sie die Handgriffe und Griffflächen trocken, sauber und frei von Öl und Fett.** Wenn Handgriffe und Griffflächen rutschig sind, kann das Werkzeug in unerwarteten Situationen nicht sicher bedient und kontrolliert werden.

Verwendung und Pflege von akkubetriebenen Geräten

- **Eine Aufladung darf nur mit dem vom Hersteller vorgeschriebenen Ladegerät durchgeführt werden.** Durch ein für einen bestimmten Akkutyp geeignetes Ladegerät kann Brandgefahr entstehen, wenn es für einen anderen Akku verwendet wird.
- **Verwenden Sie Geräte nur mit speziell für sie ausgezeichneten Akkus.** Die Verwendung anderer Akkus kann zu Verletzungs- und Brandgefahr führen.
- **Wird der Akku nicht verwendet, halten Sie ihn von Metallgegenständen wie Büroklammern, Münzen, Schlüsseln, Nägeln, Schrauben oder anderen kleineren Metallobjekten fern, da es zu einer Überbrückung der Kontakte kommen könnte.**

Durch Kurzschluss der Akkuklemmen kann es zu Verbrennungen oder Bränden kommen.

- **Unter missbräuchlichen Bedingungen kann Flüssigkeit aus dem Akku austreten; vermeiden Sie Kontakt damit. Bei versehentlichem Hautkontakt sofort mit Wasser abspülen. Sollten Ihre Augen damit in Berührung gekommen sein, suchen Sie sofort ärztliche Hilfe auf.** Durch austretende Flüssigkeit aus dem Akku kann es zu Reizungen oder Verbrennungen kommen.
- **Verwenden Sie keinen Akku und kein Gerät, der bzw. das defekt ist oder modifiziert wurde.** Beschädigte oder modifizierte Akkus können ein unvorhersehbares Verhalten aufweisen, welches zu Feuer, Explosionen oder Verletzungsgefahren führen kann.
- **Setzen Sie Akku oder Gerät niemals Feuer oder sehr hohen Temperaturen aus.** Feuer oder Temperaturen über 130 °C (265 °F) können zu einer Explosion führen.
- **Befolgen Sie die Ladeanweisungen und laden Sie den Akku oder das Gerät niemals bei Temperaturen außerhalb den in der Anleitung angegebenen Temperaturbereichen auf.** Unsachgemäßes Aufladen oder Aufladen bei Temperaturen außerhalb des angegebenen Bereichs kann den Akku beschädigen und die Brandgefahr erhöhen.

Service

- **Lassen Sie Ihre Maschine von einem qualifizierten Fachmann reparieren und bestehen Sie darauf, dass nur Originalersatzteile dazu verwendet werden.** Dies trägt dazu bei, die Sicherheit der Maschine zu bewahren.
- **Warten Sie niemals beschädigte Akkus.** Akkus dürfen nur vom Hersteller oder von autorisierten Serviceanbietern gewartet werden.

Andere allgemeine Sicherheitsinformationen

- Schalten Sie das Gerät aus, bevor Sie sich in einen anderen Bereich begeben. Für die Übergabe des Geräts an eine andere Person muss der Akku entnommen werden.
- Legen Sie das Gerät nur dann ab, wenn Sie es ausgeschaltet und den Akku entfernt haben. Lassen Sie das Gerät nicht unbeaufsichtigt, wenn es eingeschaltet ist.
- Wird das Gerät ausgeschaltet, läuft das Schneidwerkzeug noch etwas nach.
- Vor Gebrauch des Geräts und nach jedem Schlag oder Stoß muss das Gerät auf Anzeichen von Verschleiß oder Schäden überprüft und ggf. repariert werden.
- Wenn während der Arbeit mit dem Gerät irgendetwas in der Schneidausrüstung hängen bleibt, halten Sie das Gerät an und schalten es aus. Stellen Sie sicher, dass die Schneidausrüstung vollständig stoppt. Entfernen Sie den Akku, bevor

Sie das Gerät und/oder die Schneidausrüstung reinigen, überprüfen oder reparieren.

- Überprüfen Sie das Gerät vor dem Gebrauch. Siehe *Sicherheitsvorrichtungen am Gerät auf Seite 133* und *Wartung auf Seite 137*. Verwenden Sie das Gerät nicht, wenn es beschädigt ist. Führen Sie die in dieser Bedienungsanweisung beschriebenen Kontroll-, Wartungs- und Serviceanweisungen durch.
- Eine nicht ordnungsgemäß funktionierende Schneidausrüstung kann die Unfallgefahr erhöhen.
- Prüfen Sie das Getriebe auf Verschmutzungen und Risse. Entfernen Sie Gras und Blätter mit Hilfe einer Bürste aus dem Getriebe. Handschuhe sind dann zu tragen, wenn dies notwendig ist.
- Stellen Sie sicher, dass die Lüftungsöffnungen stets frei von Schmutz sind.
- Prüfen Sie, ob der Trimmerkopf fest am Trimmer angebracht ist.
- Vor dem Start müssen sämtliche Abdeckungen, Schutzvorrichtungen und Griffe angebracht sein.
- Prüfen Sie, ob sich das Gerät in einwandfreiem Arbeitszustand befindet. Kontrollieren Sie, ob alle Muttern und Schrauben angezogen sind.
- Überprüfen Sie Trimmerkopf und Trimmerschutz auf Schäden und Risse. Wenn Trimmerkopf oder Trimmerschutz Risse haben oder Schlägen ausgesetzt gewesen sind, müssen sie ausgetauscht werden. Verwenden Sie stets den empfohlenen Schutz für die jeweilige Schneidausrüstung. Siehe *Technische Angaben auf Seite 140*.
- Dieses Gerät ist ein gefährliches Werkzeug, wenn Sie nicht aufpassen oder es unsachgemäß verwenden. Dieses Gerät kann schwere oder tödliche Verletzungen des Bedieners oder anderer Personen verursachen.
- Der Gebrauch des Geräts durch Personen (einschließlich Kindern), die über eingeschränkte körperliche, sensorische oder geistige Fähigkeiten verfügen oder denen es an der erforderlichen Erfahrung und Kenntnissen mangelt, ist untersagt, sofern sie nicht von einer für ihre Sicherheit verantwortlichen Person bei der Arbeit überwacht und im Gebrauch des Geräts zuvor geschult wurden. Lassen Sie keine Kinder mit dem Gerät spielen. Das Gerät ist kein Spielzeug!
- Erlauben Sie niemals Kindern, das Gerät zu benutzen oder sich in seiner Nähe aufzuhalten. Da das Gerät leicht zu starten ist, könnten auch Kinder bei unzureichender Aufsicht in der Lage sein, es zu starten. Dies kann zu schweren Verletzungen führen. Entfernen Sie daher stets den Akku, wenn das Gerät unbeaufsichtigt ist.
- Kinder oder nicht im Gebrauch des Geräts und/oder des Akkus geschulte Personen dürfen das Gerät bzw. den Akku weder bedienen noch warten.
- Lagern Sie die Ausrüstung in einem verschließbaren Raum, sodass sie für Kinder und Unbefugte unzugänglich ist.

- Verwenden Sie für die Lagerung und den Transport stets eine Transportabdeckung.
- Halten Sie Hände und Füße stets vom Schnittbereich fern. Dies gilt insbesondere während des Motorstarts.
- Halten Sie Hände und Füße nach Abschalten von der Schneidausrüstung fern, bis diese vollständig stillsteht.
- Sie dürfen das geschnittene Material nicht selbst entfernen oder von anderen Personen entfernen lassen, wenn das Gerät noch aktiviert ist oder die Schneidausrüstung sich dreht, weil dies zu schweren Verletzungen führen kann.
- Denken Sie stets daran, dass Sie als Bediener für eventuell entstehende Sach- und Personenschäden verantwortlich sind.
- Unter keinen Umständen darf die ursprüngliche Konstruktion des Geräts ohne Genehmigung des Herstellers geändert werden. Verwenden Sie immer Originalzubehör. Unzulässige Änderungen und/oder unzulässiges Zubehör können zu schweren oder sogar tödlichen Verletzungen des Anwenders oder anderer Personen führen. Möglicherweise deckt Ihre Gewährleistung keine Schäden, die durch die Verwendung von nicht zulässigem Zubehör oder nicht zulässigen Ersatzteilen verursacht werden, bzw. keine diesbezügliche Haftung ab.
- Das einzige Zubehör, mit dem dieses Gerät verwendet werden darf, ist die Schneidausrüstung, die im Kapitel „Zubehör“ empfohlen wird. Siehe *Zubehör auf Seite 142*.
- Arbeiten Sie niemals mit einem Gerät, das ohne Zustimmung des Herstellers modifiziert wurde und nicht mehr mit der Originalausführung übereinstimmt
- Arbeiten Sie niemals mit einem defekten Gerät. Befolgen Sie die Kontroll-, Wartungs- und Serviceanweisungen in dieser Betriebsanleitung. Gewisse Wartungs- und Servicemaßnahmen sind von geschulten, qualifizierten Fachleuten auszuführen. Siehe Anweisungen unter dem Titel „Wartung“.
- Das Arbeiten bei schlechtem Wetter ist nicht nur ermüdend, sondern birgt auch zusätzliche Risiken. Aufgrund des höheren Risikos wird davon abgeraten, das Gerät bei sehr schlechtem Wetter zu verwenden, z. B. bei dichtem Nebel, starkem Regen, starkem Wind, großer Kälte, Gewittergefahr usw.
- Arbeiten Sie niemals stehend auf einer Leiter oder einem Hocker oder in einer anderen, nicht ausreichend gesicherten erhöhten Position.
- Lagern Sie inaktive Geräte in Innenräumen – Geräte, die nicht benutzt werden, sollten in Innenräumen gelagert werden
- Es ist unmöglich, hier alle denkbaren Situationen zu beschreiben. Gehen Sie stets vorsichtig vor und arbeiten Sie mit gesundem Menschenverstand. Vermeiden Sie Situationen, denen Sie sich nicht gewachsen fühlen. Wenn Sie sich nach dem Lesen dieser Anweisungen immer noch unsicher fühlen, wie Sie vorgehen sollen, bitten Sie einen Fachmann um Rat, bevor Sie fortfahren.
- Stellen Sie sicher, dass Menschen und Tiere während der Verwendung einen Abstand von mindestens 15 m (50 ft) einhalten. Wenn mehrere Bediener am gleichen Einsatzort tätig sind, muss der Sicherheitsabstand mindestens 15 m (15 ft) betragen. Andernfalls kann es zu schweren Verletzungen kommen. Stellen Sie das Gerät sofort ab, wenn sich Personen oder Tiere nähern. Drehen Sie sich niemals abrupt mit dem Gerät um, ohne vorher sicherzustellen, dass sich hinter Ihnen niemand innerhalb der Sicherheitszone befindet.
- Stellen Sie sicher, dass weder Menschen noch Tiere oder andere Dinge die Kontrolle des Geräts beeinflussen oder mit der Schneidausrüstung oder umherfliegenden Gegenständen in Berührung kommen. Sie dürfen das Gerät niemals benutzen, wenn im Falle eines Unfalls nicht die Möglichkeit besteht, Hilfe herbeizurufen.
- Vergewissern Sie sich, dass Sie sicher gehen und stehen können. Achten Sie auf eventuelle Hindernisse (Wurzeln, Steine, Äste, Löcher, Gräben usw.), wenn Sie unvermittelt Ihren Standort wechseln. Beim Arbeiten auf abschüssigem Boden müssen Sie immer sehr vorsichtig sein.
- Gehen Sie, auf keinen Fall dürfen Sie laufen.
- Überprüfen Sie den Arbeitsbereich. Entfernen Sie alle losen Gegenstände, z. B. Steine, Glasscherben, Nägel, Drähte, Schnüre, usw., die weggeschleudert werden oder sich in der Schneidausrüstung oder Schutzausrüstung verfangen können.
- Achten Sie auf Aststückchen, die beim Schneiden weggeschleudert werden können. Schneiden Sie nicht zu dicht am Boden, wo Steine und andere Gegenstände weggeschleudert werden können.
- Stellen Sie sicher, dass keine Kleidung und kein Körperteil mit der Schneidausrüstung in Kontakt kommen, wenn das Gerät aktiviert ist. Halten Sie das Gerät stets unterhalb der Taille.
- Achten Sie auf hochgeschleuderte Gegenstände. Tragen Sie immer einen zugelassenen Augenschutz. Beugen Sie sich niemals über den Schutz der Schneidausrüstung. Hochgeschleuderte Steine, Unrat usw. können die Augen treffen und Blindheit oder schwere Verletzungen verursachen.
- Achten Sie immer genau auf Warnsignale oder Rufe, wenn Sie den Gehörschutz tragen. Nehmen Sie den Gehörschutz immer ab, sobald das Gerät abgestellt ist.
- Ziehen Sie bei unerwünschten Vibrationen einen neuen Faden bis zur richtigen Länge aus, um die Vibrationen zu stoppen.
- Wenn das Gerät anfängt, ungewöhnlich zu vibrieren, halten Sie es an und entfernen Sie den Akku.
- Eine übermäßige Belastung durch Vibrationen kann bei Personen mit Durchblutungsstörungen zu Kreislaufschäden oder Nervenschäden führen. Sprechen Sie mit Ihrem Arzt, wenn Sie nach übermäßiger Belastung durch Vibrationen

irgendwelche Beschwerden haben. Beispiele solcher Symptome sind: Taubheit von Körperteilen, Gefühlsverlust, Jucken, Stechen, Schmerz, Verlust oder Beeinträchtigung der normalen Körperkraft, Veränderungen der Hautfarbe oder der Haut. Diese Beschwerden treten normalerweise in den Fingern, Händen und Handgelenken auf.

- Halten Sie das Gerät stets mit beiden Händen. Halten Sie das Gerät auf der rechten Seite des Körpers.

Persönliche Schutzausrüstung



WARNUNG: Lesen Sie die folgenden Warnhinweise, bevor Sie das Gerät benutzen.

- Verwenden Sie stets die vorgeschriebene persönliche Schutzausrüstung bei der Benutzung des Geräts. Die persönliche Schutzausrüstung kann Verletzungen nicht vollständig vermeiden, vermindert aber den Umfang der Verletzungen und Schäden bei einem Unfall. Lassen Sie sich bei der Auswahl der richtigen Ausrüstung von Ihrem Händler beraten.
- Tragen Sie einen Schutzhelm in Bereichen, in denen Gefahr durch herabfallende Gegenstände besteht.
- Tragen Sie einen zugelassenen Gehörschutz mit ausreichender Lärmreduzierung. Eine längerfristige Lärmeinwirkung kann zu bleibenden Gehörschäden führen.
- Tragen Sie einen zugelassenen Augenschutz. Bei der Benutzung eines Visiers ist außerdem eine zugelassene Schutzbrille zu tragen. Zugelassene Schutzbrillen müssen die Normen ANSI Z87.1 für die USA bzw. EN 166 für EU-Länder erfüllen.
- Verwenden Sie einen Gesichtsschutz. Ein Gesichtsschutz allein reicht nicht aus, um die Augen zu schützen.

(Abb. 9)

- Tragen Sie bei Bedarf Schutzhandschuhe, beispielsweise bei der Montage, der Untersuchung oder der Reinigung der Schneid-ausrüstung.
- Verwenden Sie rutschfeste und stabile Stiefel.
- Tragen Sie Kleidung aus reißfestem Material. Tragen Sie stets lange Hosen aus schwerem Stoff und lange Ärmel. Tragen Sie keine weite Kleidung, die sich leicht an Ästen und Zweigen verfangen könnte. Vermeiden Sie das Tragen von Schmuck, kurzen Hosen und Sandalen. Gehen Sie nicht barfuß. Binden Sie Ihre Haare sicherheitshalber zusammen, so dass sie nicht über Ihre Schultern fallen.

(Abb. 10)

- Halten Sie eine Erste-Hilfe-Ausrüstung und einen Feuerlöscher griffbereit.

(Abb. 11)

Sicherheitsvorrichtungen am Gerät



WARNUNG: Lesen Sie die folgenden Warnhinweise, bevor Sie das Gerät verwenden.

In diesem Abschnitt werden einzelnen Teile der Sicherheitsausrüstung des Gerätes beschrieben, welche Funktion sie haben und wie ihre Kontrolle und Wartung ausgeführt werden sollen, um sicherzustellen, dass sie funktionsfähig sind. Unter der Überschrift *Einleitung auf Seite 128* finden Sie Angaben zur Position der Teile an Ihrem Gerät.

Die Lebensdauer des Geräts kann verkürzt werden und die Unfallgefahr kann steigen, wenn die Wartung des Geräts nicht ordnungsgemäß und Service und/oder Reparaturen nicht fachmännisch ausgeführt werden. Wenden Sie sich für weitere Informationen an Ihre Vertragswerkstatt.



WARNUNG: Benutzen Sie kein Gerät mit defekten Sicherheitsvorrichtungen. Die Sicherheitsausrüstung des Gerätes muss so kontrolliert und gewartet werden, wie dies in diesem Abschnitt beschrieben wird. Wenn Ihr Gerät diesen Anforderungen nicht entspricht, muss eine Servicewerkstatt aufgesucht werden.



ACHTUNG: Service und Reparatur des Gerätes erfordern eine Spezialausbildung. Dies gilt besonders für die Sicherheitsausrüstung des Gerätes. Wenn Ihr Gerät den unten aufgeführten Kontrollanforderungen nicht entspricht, müssen Sie Ihre Servicewerkstatt aufsuchen. Beim Kauf eines unserer Geräte wird gewährleistet, dass Reparatur- oder Servicearbeiten fachmännisch ausgeführt werden. Sollte der Verkäufer Ihres Gerätes nicht an unser Fachhändler-Service-Netz angeschlossen sein, fragen Sie nach unserer nächstgelegenen Servicewerkstatt.

So prüfen Sie die Benutzeroberfläche

1. Halten Sie die ON/OFF-Taste (A) gedrückt. (Abb. 12)
 - a) Das Gerät ist eingeschaltet, wenn das Display (B) leuchtet.
 - b) Das Gerät ist ausgeschaltet, wenn das Display aus ist.
2. Wenn die Warnanzeige im Display leuchtet oder blinkt, siehe *Tastatur auf Seite 138*.

So prüfen Sie die Gashebelsperre

Durch die Gashebelsperre soll ein unbeabsichtigter Start verhindert werden. Wenn Sie die Gashebelsperre (A)

nach vorne drücken, und dann die Gashebelsperre gegen den Griff (B) drücken, wird der Gashebel (C) freigegeben. Wird der Handgriff losgelassen, werden Gashebel und Gashebelsperre wieder in ihre Ausgangsstellung zurückbewegt. Diese Bewegung wird von drei unabhängigen Federn ausgeführt. (Abb. 13)

1. Stellen Sie sicher, dass der Gashebel gesperrt ist, wenn sich die Sperre in der Ausgangsstellung befindet. (Abb. 14)
2. Drücken Sie die Gashebelsperre nach vorn (A) und nach unten. Drücken Sie die Gashebelsperre gegen den Griff (B), und stellen Sie sicher, dass sie in ihre ursprüngliche Position zurückspringt, wenn Sie sie loslassen. (Abb. 15)
3. Stellen Sie sicher, dass sich der Gashebel und die Gashebelsperre frei bewegen können und dass die Rückstellfeder richtig funktioniert. (Abb. 16)
4. Halten Sie die ON/OFF-Taste gedrückt, um das Gerät einzuschalten.
5. Drücken Sie den Gashebel vollständig durch, um die volle Drehzahl zu erreichen.
6. Lassen Sie den Gashebel los, und prüfen Sie, ob die Schneidausrüstung stoppt und stehen bleibt.

Sicherheitshinweise für die Montage



WARNUNG: Lesen Sie die Bedienungsanleitung dieses Antriebsaggregats zusammen mit der Bedienungsanleitung des zugelassenen Zubehörs.

- Entfernen Sie den Akku aus dem Gerät, bevor Sie es montieren.
- Tragen Sie zugelassene Schutzhandschuhe.
- Ein beschädigter oder falscher Schutz kann Verletzungen verursachen. Verwenden Sie keine Schneidausrüstung, an der kein zugelassener Schutz befestigt ist.
- Stellen Sie sicher, dass Sie die Abdeckung und das Führungsrohr korrekt montieren, bevor Sie das Gerät starten.
- Wenn ein Tragegurt mit dem Anbaugerät mitgeliefert wird, muss der Tragegurt korrekt am Gerät angebracht werden. Der Tragegurt sorgt für einen sicheren Betrieb und verhindert Verletzungen beim Bediener oder anderen Personen.

Sicherer Umgang mit Batterien



WARNUNG: Lesen Sie die folgenden Warnhinweise, bevor Sie das Gerät verwenden.

- Verwenden Sie nur von Husqvarna zugelassene Akkus. Siehe *Zugelassene Akkus auf Seite 141*. Die Akkus verfügen über eine Softwareverschlüsselung.

- Verwenden Sie von Husqvarna zugelassene Akkus nur als Stromversorgung für die zugehörigen Husqvarna Geräte. Um Verletzungen zu vermeiden, verwenden Sie den Akku nicht zur Energieversorgung anderer Geräte.
- Es besteht die Gefahr von elektrischen Schlägen. Verbinden Sie die Akkuklemmen nicht mit Schlüsseln, Münzen, Schrauben oder anderen metallischen Gegenständen. Dadurch kann es zu einem Kurzschluss des Akkus kommen.
- Verwenden Sie keine nicht aufladbaren Akkus.
- Legen Sie keine Gegenstände in die Luftschlitze des Akkus.
- Halten Sie den Akku von direkter Sonneneinstrahlung, Hitze oder offenem Feuer fern. Der Akku kann Verbrennungen und/oder chemische Verätzungen verursachen.
- Halten Sie den Akku von Regen und Feuchtigkeit fern.
- Halten Sie den Akku von Mikrowellen und hohem Druck fern.
- Versuchen Sie nicht, den Akku zu zerlegen oder aufzubrechen.
- Wenn aus dem Akku Flüssigkeit austritt, vermeiden Sie Haut- oder Augenkontakt mit dieser. Sollten Sie dennoch mit der Flüssigkeit in Berührung gekommen sein, reinigen Sie den Bereich mit ausreichend Wasser und Seife und suchen Sie medizinische Hilfe auf. Sollte Flüssigkeit in Ihre Augen gelangen, reiben Sie diese nicht, sondern spülen Sie sie mindestens 15 Minuten lang mit reichlich Wasser aus, und suchen Sie anschließend einen Arzt auf.
- Der Akku darf nur bei Temperaturen zwischen -10 °C (14 °F) und 40 °C (114 °F) verwendet werden.
- Reinigen Sie weder den Akku noch das Ladegerät mit Wasser. Siehe *So reinigen Sie das Gerät, den Akku und das Ladegerät auf Seite 138*.
- Verwenden Sie keinen Akku, der beschädigt ist oder nicht ordnungsgemäß funktioniert.
- Lagern Sie Akkus getrennt von Metallgegenständen wie Nägeln, Schrauben oder Schmuck.
- Halten Sie den Akku fern von Kindern.

Sicherer Umgang mit dem Ladegerät



WARNUNG: Lesen Sie die folgenden Warnhinweise, bevor Sie das Gerät verwenden.

- Gefahr von elektrischen Schlägen oder Kurzschluss, wenn die Sicherheitshinweise nicht beachtet werden.
- Verwenden Sie nur das mitgelieferte Ladegerät für Ihr Gerät. Verwenden Sie nur das von Husqvarna zugelassene Akkuladegerät zum Aufladen von Husqvarna Originalakkus. Anweisungen dazu finden Sie unter *Technische Daten auf Seite 140*.
- Das Ladegerät nicht zerlegen.

- Verwenden Sie kein Ladegerät, das beschädigt ist oder nicht ordnungsgemäß funktioniert.
- Heben Sie das Ladegerät nicht am Netzkabel an. Um das Ladegerät von der Steckdose zu trennen, ziehen Sie am Netzstecker. Ziehen Sie nicht am Netzkabel.
- Achten Sie darauf, dass keines der Kabel und Verlängerungskabel mit Wasser, Öl oder scharfen Kanten in Berührung kommt. Achten Sie darauf, dass Kabel nicht zwischen Objekten, z. B. Türen, Zäunen o. Ä., eingeklemmt werden.
- Das Ladegerät darf nicht in der Nähe von entflammaren Materialien oder Materialien, die Korrosion verursachen können, verwendet werden. Vergewissern Sie sich, dass das Ladegerät nicht abgedeckt ist. Bei Rauchentwicklung oder Feuer muss der Stecker des Ladegeräts sofort aus der Steckdose gezogen werden.
- Laden Sie den Akku nur in geschlossenen Räumen an einem Ort mit guter Luftzirkulation und ohne direkte Sonneneinstrahlung. Laden Sie den Akku nicht im Freien. Auf keinen Fall Akkus in feuchter Umgebung laden.
- Verwenden Sie das Ladegerät nur bei einer Temperatur zwischen 5 °C (41 °F) und 40 °C (104 °F). Verwenden Sie das Ladegerät nur in einer gut belüfteten, trockenen und staubfreien Umgebung.
- Legen Sie keine Gegenstände in die Kühlschlitze des Ladegeräts.
- Verbinden Sie die Anschlüsse des Ladegeräts niemals mit Metallgegenständen. Dies kann zu einem Kurzschluss im Ladegerät führen.
- Nutzen Sie zugelassene Steckdosen, die nicht beschädigt sind. Stellen Sie sicher, dass das Kabel des Ladegeräts nicht beschädigt ist. Wenn Verlängerungskabel verwendet werden, stellen Sie sicher, dass diese nicht beschädigt sind.

Sicherheitshinweise für die Wartung



WARNUNG: Lesen Sie die folgenden Warnhinweise, bevor Sie das Gerät warten.

- Entfernen Sie vor Wartungs-, Kontroll- oder Montagearbeiten den Akku.
- Der Bediener darf nur die Wartungs- und Servicearbeiten ausführen, die in dieser Bedienungsanleitung beschrieben sind. Für darüber hinausgehende Wartungs- und Servicearbeiten wenden Sie sich bitte an Ihren Servicehändler.
- Reinigen Sie weder den Akku noch das Ladegerät mit Wasser. Starke Reiniger können den Kunststoff beschädigen.
- Wenn Wartungsarbeiten nicht durchgeführt werden, verringert sich die Lebensdauer des Geräts und die Unfallgefahr steigt.
- Für alle Service- und Reparaturarbeiten, insbesondere an den Sicherheitsvorrichtungen des Geräts, ist eine spezielle Schulung erforderlich. Wenn nach Durchführung der Wartungsarbeiten nicht alle in dieser Bedienungsanleitung beschriebenen Prüfungen mit positivem Ergebnis ausfallen, wenden Sie sich an Ihren Servicehändler. Wir garantieren Ihnen, dass für Ihr Gerät professionelle Service- und Reparaturdienste verfügbar sind.
- Verwenden Sie nur Original-Ersatzteile.
- Tragen Sie bei der Reparatur der Schneidausrüstung immer schwere Arbeitshandschuhe. Die Klingen sind extrem scharf und können leicht Verletzungen hervorrufen.

Montage

So montieren Sie den Loophandgriff

1. Befestigen Sie den Loophandgriff auf dem Führungsrohr zwischen den Pfeilen. Bringen Sie den Loophandgriff oder die Aufhängöse nicht auf dem Etikett an. (Abb. 17)
2. Schieben Sie den Abstandhalter in die Führung des Loophandgriffs.
3. Bringen Sie die Mutter, den Drehknopf und die Schraube an. Achten Sie darauf, diese nicht zu fest anzuziehen.
4. Bringen Sie das Gerät in eine bequeme Position.
5. Ziehen Sie die Schraube fest.

So bauen Sie das zweiteilige Führungsrohr zusammen

1. Drehen Sie den Knopf zum Lösen der Kupplung. (Abb. 18)
2. Richten Sie die Lasche (A) am Pfeil (B) an der Kupplung aus. (Abb. 19)
3. Drücken Sie das Führungsrohr in die Kupplung bis zum Einrasten in seine Position. (Abb. 20)
4. Ziehen Sie den Drehknopf vollständig fest. (Abb. 21)

So nehmen Sie das zweiteilige Führungsrohr auseinander

1. Drehen Sie den Knopf 3 Umdrehungen oder mehr, um die Kupplung zu lösen. (Abb. 22)
2. Halten Sie die Taste (C) gedrückt.

3. Halten Sie das Ende des Führungsrohrs, an dem der Motor befestigt ist, fest.
4. Ziehen Sie das Anbaugerät aus der Kupplung heraus. (Abb. 23)

So installieren Sie die Aufhängöse, falls vorhanden

1. Installieren Sie die Aufhängöse zwischen den Pfeilen auf dem hinteren Griff und dem Loophandgriff. (Abb. 24)

Hinweis: Bringen Sie den Loophandgriff nicht auf dem Aufkleber an.

2. Justieren Sie die Aufhängöse so, dass das Gerät ausbalanciert und einfach zu bedienen ist.

Betrieb

Einleitung



WARNUNG: Lesen Sie vor Gebrauch des Geräts das Kapitel über Sicherheit, und machen Sie sich damit vertraut.



ACHTUNG: Wenn sich der Akku nicht leicht in das Akkufach bewegt, ist der Akku nicht richtig eingesetzt. Dadurch kann das Gerät beschädigt werden.

Husqvarna Connect

Husqvarna Connect ist eine kostenlose App für Ihr Mobilgerät. Die Husqvarna Connect-App bietet erweiterte Funktionen für Ihr Husqvarna Gerät.

- Erweiterte Produktinformationen.
- Informationen über Geräteteile und -wartung sowie entsprechende Hilfe dazu.

Erste Verwendung von Husqvarna Connect

1. Laden Sie die Husqvarna Connect-App auf Ihr Mobiltelefon.
2. Anmeldung bei der Husqvarna Connect-App.
3. Befolgen Sie die Anweisungen in der Husqvarna Connect-App, um sich zu verbinden und das Gerät zu registrieren.

Hinweis: Die Husqvarna Connect-App ist nicht überall zum Download erhältlich. Ihr Servicehändler steht Ihnen gerne für weitere Informationen zur Verfügung.

So schließen Sie den Akku an das Gerät an



WARNUNG: Verwenden Sie mit dem Gerät nur originale Husqvarna-Akkus.

1. Stellen Sie sicher, dass der Akku vollständig geladen ist.
2. Drücken Sie den Akku in das Akkufach des Geräts. Der Akku rastet einem hörbaren Klickgeräusch in der richtigen Position ein. (Abb. 25)

3. Stellen Sie sicher, dass der Akku richtig eingesetzt ist.

So laden Sie den Akku

Hinweis: Laden Sie den Akku, wenn Sie ihn zum ersten Mal verwenden. Ein neuer Akku ist nur zu 30 % geladen.

1. Stellen Sie sicher, dass der Akku trocken ist.
2. Legen Sie den Akku in das Ladegerät. (Abb. 26)

Hinweis: Akku und Ladegerät können bei verschiedenen Modellen unterschiedlich aussehen, das Verfahren ist jedoch dasselbe.

3. Stellen Sie sicher, dass die grüne Ladeanzeige auf dem Ladegerät aufleuchtet. Das bedeutet, dass der Akku richtig mit dem Ladegerät verbunden ist.
4. Wenn alle LEDs am Akku leuchten, ist er vollständig aufgeladen. (Abb. 27)
5. Um das Ladegerät von der Steckdose zu trennen, ziehen Sie den Netzstecker. Ziehen Sie nicht am Kabel.
6. Nehmen Sie den Akku aus dem Ladegerät.

Hinweis: Weitere Informationen entnehmen Sie bitte den Bedienungsanleitungen für den Akku und das Ladegerät.

Arbeitsstellung

- Halten Sie das Gerät mit beiden Händen.
- Halten Sie das Gerät auf der rechten Seite des Körpers.
- Die Schneidusrüstung muss sich unterhalb der Taille befinden.
- Halten Sie sich von den heißen Flächen fern.

- Halten Sie sich von der Schneidusrüstung fern.

Bevor Sie das Gerät in Betrieb nehmen

- Untersuchen Sie den Arbeitsbereich, um sicherzustellen, dass Sie die Art des Geländes, die Neigung des Bodens und mögliche Hindernisse wie Steine, Äste und Gräben kennen.
- Führen Sie eine Überholung des Geräts durch.
- Führen Sie Sicherheitskontrollen, Wartungen und Servicemaßnahmen durch, die in dieser Bedienungsanleitung beschrieben sind.
- Stellen Sie sicher, dass alle Abdeckungen, Schutzvorrichtungen, Griffe sowie sämtliches Zubehör ordnungsgemäß angebracht und unbeschädigt sind.

So starten Sie das Gerät

1. Halten Sie die ON/OFF-Taste gedrückt, bis die grüne LED aufleuchtet. (Abb. 28)
2. Verwenden Sie den Gashebel zur Steuerung der Drehzahl.

So beschränken Sie die maximale Geschwindigkeit mit der Modustaste

Das Gerät verfügt über eine Modustaste. Mit der Modustaste kann der Bediener die maximale Geschwindigkeit begrenzen. Die Modustaste weist drei

Geschwindigkeitsstufen auf. Niedrigere Stufen erhöhen die Betriebszeit des Geräts. Die Modustaste weist drei Geschwindigkeitsstufen auf. Niedrigere Stufen erhöhen die Betriebszeit des Geräts. Verwenden Sie die Stufen 1 und 2, wenn die Arbeit nicht die volle Geschwindigkeit/volle Leistung erfordert. Wenn die Betriebsbedingungen volle Geschwindigkeit/volle Leistung erfordern, verwenden Sie Stufe 3. Verwenden Sie keine höhere Stufe als für den Betrieb erforderlich.

1. Drücken Sie die Modustaste, um die maximale Geschwindigkeit zu beschränken. Die weißen LEDs leuchten auf, wenn die Funktion aktiviert ist. (Abb. 29)
2. Drücken Sie die Modustaste erneut, um die nächste Geschwindigkeitsstufe zu wählen.

Automatische Abschaltfunktion

Das Gerät verfügt über eine automatische Abschaltfunktion, die das Gerät auf AUS setzt, wenn Sie es drei Minuten lang nicht verwendet haben.

So stoppen Sie das Gerät

1. Lassen Sie den Gashebel oder die Gashebelsperre los.
2. Drücken Sie die ON/OFF-Taste. (Abb. 30)
3. Drücken Sie die Entriegelungstasten an dem Akku, und ziehen Sie den Akku heraus. (Abb. 31)

Wartung

Einleitung



WARNUNG: Vor der Durchführung von Wartungsarbeiten müssen Sie die Sicherheitsinformationen lesen und verstehen.

Nachstehend sind die am Gerät vorzunehmenden Wartungsmaßnahmen aufgelistet. Zusätzlich zu den im Wartungsplan angegebenen Wartungsarbeiten sollte ein Husqvarna Servicehändler das Gerät regelmäßig warten lassen. Wenden Sie sich an Ihren Husqvarna Servicehändler, um Informationen zu den Wartungsintervallen zu erhalten.

Wartungsplan



WARNUNG: Entfernen Sie den Akku, bevor Sie Wartungsarbeiten durchführen.

Instand halten	Täglich	Wöchent-lich	Monatlich
Die äußeren Teile des Geräts mit einem sauberen und trockenen Tuch reinigen. Kein Wasser verwenden.	X		
Sicherstellen, dass der Betriebsschalter funktioniert und nicht defekt ist.	X		
Sicherstellen, dass der Gashebel und die Gashebelsperre sicherheitstechnisch ordnungsgemäß funktionieren.	X		
Sicherstellen, dass alle Bedienelemente funktionieren und unbeschädigt sind.	X		
Die Griffe trocken, sauber und frei von Öl und Schmierfett halten.	X		

Instand halten	Taglich	Wochent-lich	Monatlich
Sicherstellen, dass alle Schrauben und Muttern fest angezogen sind.	X		
Sicherstellen, dass die Entriegelungstasten am Akku funktionieren und der Akku in das Gerat einrastet.	X		
Sicherstellen, dass der Akku unbeschadigt ist.	X		
Sicherstellen, dass der Akku vollstandig geladen ist.	X		
Sicherstellen, dass das Akkuladegerat unbeschadigt ist und ordnungsgema funktioniert.	X		
Alle Kabel, Kupplungen und Anschlusse kontrollieren. Sicherstellen, dass sie unbeschadigt und schmutzfrei sind.		X	
Die Verbindungen zwischen dem Akku und dem Gerat prufen. Die Verbindung zwischen dem Akku und dem Akkuladegerat prufen.			X

So reinigen Sie das Gerat, den Akku und das Ladegerat

1. Reinigen Sie das Gerat nach jedem Gebrauch mit einem trockenen Tuch.
2. Reinigen Sie Akku und Ladegerat mit einem trockenen Tuch. Die Akkufuhrungsschienen sauber halten.
3. Stellen Sie sicher, dass die Klemmen an Akku und Ladegerat sauber sind, bevor der Akku in das Ladegerat oder das Gerat gesteckt wird.

Zweiteiliges Fuhrungsrohr

Schmieren Sie das Ende der Antriebswelle nach jeweils 30 Betriebsstunden. Es besteht die Gefahr, dass sich die Enden der Antriebswelle (Nutzungsverband) bei den zerlegbaren Modellen ineinander fressen, wenn sie nicht regelmaig geschmiert werden.
(Abb. 32)

Fehlerbehebung

Tastatur

LED-Anzeige	Mogliche Fehler	Mogliche Fehlerbehebung
Grune LED des Einschaltknopfes blinkt	Geringe Akkuspannung.	Laden Sie den Akku.
Rote Fehler-LED blinkt	Uberlastung	Die Schneidausrustung ist verklemmt. Schalten Sie das Gerat aus. Entfernen Sie den Akku. Reinigen Sie die Schneidausrustung von unerwunschten Materialien.
	Temperaturabweichung.	Lassen Sie das Gerat abkuhlen.
	Der Gashebel und die Starttaste werden gleichzeitig gedruckt.	Wenn Sie den Gashebel loslassen, startet das Gerat.
Das Gerat springt nicht an	Schmutz in den Akkusteckern.	Reinigen Sie die Akkustecker mit Druckluft oder einer weichen Burste.
Storungs-LED leuchtet rot.	Es sind Servicearbeiten erforderlich.	Setzen Sie sich mit Ihrer Servicewerkstatt in Verbindung.

Transport, Lagerung und Entsorgung

Transport und Lagerung

- Die mitgelieferten Lithium-Ionen-Akkus entsprechen den Anforderungen des Gefahrgutrechts.
- Beachten Sie für den gewerblichen Transport, auch durch Dritte oder Speditionen, die gesonderten Anforderungen auf Verpackung und Etiketten.
- Sprechen Sie sich vor dem Versand des Geräts mit einer Person ab, die speziell im Gefahrgutversand geschult ist. Beachten Sie sämtliche geltenden nationalen Vorschriften.
- Bedecken Sie offene Kontakte mit Klebeband, wenn Sie den Akku in eine Verpackung legen. Stellen Sie sicher, dass der Akku in der Verpackung nicht verrutschen kann.
- Entnehmen Sie den Akku für die Lagerung oder den Transport.
- Bringen Sie den Akku und das Ladegerät an einem Ort unter, der trocken und frei von Feuchtigkeit und Frost ist.
- Lagern Sie den Akku nicht an einem Ort, an dem es zu elektrostatischen Entladungen kommen kann. Bewahren Sie den Akku nicht in einem Metallkasten auf.
- Stellen Sie bei der Lagerung des Akkus sicher, dass die Temperatur zwischen 5 °C/41 °F und 25 °C/77 °F liegt und der Akku keinem direkten Sonnenlicht ausgesetzt ist.
- Stellen Sie bei der Lagerung des Akkuladegeräts sicher, dass die Temperatur zwischen 5 °C/41 °F und 45 °C/113 °F liegt und das Ladegerät keinem direkten Sonnenlicht ausgesetzt ist.
- Das Ladegerät darf nur verwendet werden, wenn die Umgebungstemperatur zwischen 5 °C/41 °F und 40 °C/104 °F liegt.
- Laden Sie den Akku auf 30 bis 50 %, bevor Sie ihn über längere Zeit einlagern.
- Lagern Sie das Akkuladegerät in einem geschlossenen und trockenen Raum.
- Achten Sie bei der Lagerung darauf, dass sich der Akku nicht in unmittelbarer Nähe zum Ladegerät befindet. Kinder und andere nicht befugte Personen dürfen die Ausstattung nicht berühren. Verwahren Sie die Ausstattung in einem abschließbaren Raum.
- Reinigen Sie das Gerät und führen Sie umfassende Servicearbeiten durch, bevor Sie es längere Zeit einlagern.
- Verwenden Sie für das Gerät einen Transportschutz, um Verletzungen oder Schäden am Gerät bei Transport und Lagerung zu vermeiden.
- Befestigen Sie das Gerät während des Transports sicher.

Entsorgung von Akku, Ladegerät und Gerät

Symbole auf dem Gerät oder seiner Verpackung zeigen an, dass dieses Gerät kein Hausmüll ist. Recyceln Sie es an einer Recyclingstation für elektrische und elektronische Geräte. So werden Umwelt- und Personenschäden vermieden.

Wenden Sie sich für weitere Informationen zum Recycling Ihres Geräts an Ihre örtlichen Behörden, Abfallentsorgungsunternehmen oder Ihren Händler.

Entsorgen von Elektro- und Elektronik-Altgeräten

Gilt nur für Deutschland



Die durchgestrichene Abfalltonne weist darauf hin, dass Sie gesetzlich verpflichtet sind, dieses Gerät getrennt vom unsortierten Siedlungsabfall zu entsorgen. Die Entsorgung im Restmüll oder im gelben Sack ist verboten. Wenn das Produkt Einwegbatterien oder Akkus enthält, die nicht dauerhaft installiert sind, müssen diese vor der Entsorgung des Produkts entfernt und separat als Batterien bzw. Akkus entsorgt werden.

Entfernen von Batterien, Akkus und Leuchtmitteln:

Batterien, Akkus oder Leuchtmittel, die aus dem Produkt entfernt werden können, ohne es zu beschädigen, müssen vor der Entsorgung entfernt und separat als Batterien, Akkus oder Leuchtmittel entsorgt werden. Die folgenden Batterien oder Akkus sind in diesem Produkt enthalten:

- **Akkutyp:** Li-ion
- **Chemie:** Lithium

Informationen zur Rückgabe von Elektro- und Elektronik-Altgeräten für Privathaushalte:

Wie im Folgenden näher beschrieben, sind bestimmte Vertrieber verpflichtet, Elektro- und Elektronik-Altgeräte kostenlos zurückzunehmen.

Vertreiber von Elektro- und Elektronikgeräten mit einer Verkaufsfläche von mindestens 400 m² und Lebensmittelhändler mit einer Gesamtverkaufsfläche von mindestens 800 m², die mehrmals im Kalenderjahr oder beständig Elektro- und Elektronikgeräte abgeben und verkaufen, sind unter den folgenden Umständen zur Rücknahme von Geräten verpflichtet:

1. Beim Verkauf eines neuen Elektro- oder Elektronikgeräts muss der Vertrieber ein Altgerät desselben Gerätetyps kostenlos zurücknehmen, das im Wesentlichen die gleichen Funktionen wie

das neue Gerät bereitstellt. Dies muss an dem Standort, an dem das Gerät abgegeben wird, oder in unmittelbarer Nähe geschehen. Privathaushalte gelten auch als der Ort, an dem das Gerät abgegeben wird, sofern das Produkt dorthin geliefert wird: In diesem Fall werden Altgeräte ohne Kosten für den Endbenutzer abgeholt.

- Der Vertreter muss Altgeräte mit einem Durchmesser von weniger als 25 cm auf Wunsch des Endbenutzers an der Verkaufsstelle oder in unmittelbarer Nähe zurücknehmen. Diese Rückgabe muss nicht mit dem Kauf von Elektro- oder Elektronikgeräten in Verbindung stehen und ist auf drei Altgeräte pro Gerätetyp beschränkt.

Bei Abschluss des Kaufvertrags für ein neues Elektro- oder Elektronikgerät muss der Vertreter den Endbenutzer über sein Recht informieren, das Altgerät zurückzugeben oder kostenlos abholen zu lassen, und den Endbenutzer fragen, ob er beabsichtigt, ein Altgerät bei der Lieferung des neuen Geräts zurückzugeben.

Dies gilt auch für den Vertrieb über Telekommunikation, wenn die Lager- und Versandfläche für Elektro- und Elektronikgeräte mindestens 400 m² beträgt oder wenn die gesamte Lager- und Versandfläche mindestens 800 m² beträgt, wobei die kostenlose Abholung von Elektro- oder Elektronikgeräten auf die folgenden Kategorien beschränkt ist:

- 1 (Wärmeüberträger)
- 2 (Geräte mit Displays) und

- 4 (große Geräte mit mindestens einer äußeren Abmessung von mehr als 50 cm)

Für alle anderen Elektro- und Elektronikgeräte muss der Vertreter entsprechende Rücknahmestellen in angemessener Nähe zum Endverbraucher sicherstellen. Dies gilt auch für Altgeräte, bei denen keine äußere Abmessung 25 cm überschreitet, die der Endbenutzer zurückgeben möchte, ohne ein neues Gerät zu erwerben.

Datenschutz

Alle Endbenutzer von Elektro- und Elektronik-Altgeräten sind dafür verantwortlich, alle personenbezogenen Daten von den zu entsorgenden Elektro- und Elektronik-Altgeräten zu löschen.

WEEE-Registrierungsnummer

Husqvarna 10168717

Sammlungs- und Verwertungsraten

Gemäß der WEEE-Richtlinie sind die EU-Mitgliedstaaten verpflichtet, Daten über Elektro- und Elektronik-Altgeräte zu sammeln und diese Daten an die Europäische Kommission zu übermitteln. Weitere Informationen hierzu finden Sie auf der BMUV-Website: <https://www.bmu.de/themen/wasser-ressourcen-abfall/kreislaufwirtschaft/statistiken/elektro-und-elektronikaltgeraete>

Technische Angaben

Technische Daten

	325iLK
Motor	
Motortyp	BLDC (bürstenlos) 36 V
Drehzahl der Abtriebswelle, 1/min	8400
Gewicht	
Gewicht (nur Antriebsaggregat), kg	2,9
Geräuschemissionen ^{73, 74}	
Schalleistungspegel, gemessen dB (A)	89-103
Schalleistungspegel, garantiert L _{WA} dB (A)	90-106

⁷³ Umweltbelastende Geräuschemissionen, gemessen als Schalleistung (LWA) gemäß EG-Richtlinie 2000/14/EG. Der aufgezeichnete Schalleistungspegel für das Gerät wurde unter Verwendung der originalen Schneidausrüstung mit dem höchsten Pegel gemessen. Der Unterschied zwischen garantiertem und gemeinsamem Schalleistungspegel besteht darin, dass beim garantierten Schalleistungspegel auch eine Streuung im Messergebnis und Variationen zwischen verschiedenen Geräten desselben Modells gemäß der Richtlinie 2000/14/EG berücksichtigt werden.

⁷⁴ Der Geräuschbereich gibt den niedrigsten und den höchsten Messwert an.

	325iLK
Geräuschpegel ^{75, 76}	
Äquivalenter Schalldruckpegel am Ohr des Bedieners, gemessen gemäß EN 62841-1, dB (A):	78-93
Vibrationspegel ^{77, 78}	
Vibrationspegel an den Griffen, gemessen nach EN 62841-1, m/s ²	1,3-5,5/1,1-3,1

Zugelassene Akkus

Akku	BLi200	40-B220X
Typ	Lithium-Ionen	Lithium-Ionen
Akkukapazität, Ah	5,2	6,0
Nennspannung, V	36	36
Gewicht, kg (lb)	1,3 (2,9)	1,4 (3,1)

Zugelassene Ladegeräte

Ladegerät	QC330	40-C500X
Eingangsspannung, V	100-240	100-240
Frequenz, Hz	50-60	50-60
Leistung, W	330	500

⁷⁵ Berichten zufolge liegt der Schalldruckpegel für dieses Gerät normalerweise bei einer Ausbreitungsklasse (Standardabweichung) von 3 dB (A) und wurde mit dem Original-Anbaugerät, das den höchsten Pegel ergibt, geprüft.

⁷⁶ Der Geräuschbereich gibt den niedrigsten und den höchsten Messwert an.

⁷⁷ Berichten zufolge liegt der Vibrationspegel normalerweise bei einer Ausbreitungsklasse (Standardabweichung) von 2 m/s². Verwenden Sie zum Vergleich von Vibrationspegeln, Akku- und Verbrennungsgaräten den Vibrationsrechner: <https://www.husqvarna.com/de/serviceangebote/vibrationswert-rechner/>.

⁷⁸ Der Geräuschbereich gibt den niedrigsten und den höchsten Messwert an.

Zubehör

Anbaugeräte

Zugelassene Anbaugeräte	Nummer des Anbaugeräts ⁷⁹	Anbaugerätegruppe ⁸⁰	Verwenden mit
Motorsensen-Anbaugerät BCA850	1	1-10	325iLK
Laubblasaufsatz BA101	11	11-20	325iLK
Kantenschneideraufsatz ECA850	21	21-30	325iLK
Kantenschneideraufsatz ESA850	22	21-30	325iLK
Heckenschereaufsatz HA860	32	31-40	325iLK
Hochentasteraufsatz PAX730	41	41-50	325iLK
Hochentasteraufsatz PAX1100	42	41-50	325iLK
Sägeaufsatz PA1100	43	41-50	325iLK
Kehrwalzenaufsatz SR600-2	51	51-60	325iLK
Kehrbürstenaufsatz BR600	52	51-60	325iLK
Vertikutiereraufsatz DT600	53	51-60	325iLK
Kultivatoraufsatz CAC	54	51-60	325iLK
Scherschneider-Anbaugerät für RA850	2	1-10	525iLK

⁷⁹ Hierbei handelt es sich um eine spezielle Nummer eines zugelassenen Anbaugeräts innerhalb einer Anbaugerätegruppe.

⁸⁰ Die zugelassenen Anbaugeräte sind in Anbaugerätegruppen unterteilt. Jede Anbaugerätegruppe verfügt über ähnliche Funktionen und Aufkleber.

Konformitätserklärung

EU-Konformitätserklärung

Die **Husqvarna AB**, SE-561 82 Huskvarna, Schweden,
Tel.: +46-36-146500, erklärt in alleiniger Verantwortung,
dass das Gerät:

Beschreibung	Akkubetriebenes Antriebsaggregat (Rasentrimmer)
Marke	Husqvarna
Typ/Modell	325iLK (separates Teil)
Identifizierung	Seriennummern ab 2024

die folgenden EU-Richtlinien und -Verordnungen erfüllt:

Richtlinie/Verordnung	Beschreibung
2006/42/EG	„Maschinenrichtlinie“
2014/30/EMC	„bezüglich EMV-Richtlinie“
2011/65/EU	„zur Beschränkung der Verwendung bestimmter gefährlicher Stoffe“
2000/14/EG	„bezüglich Richtlinie über umweltbelastende Geräuschemissionen“

und dass die folgenden Normen und/oder technischen Daten angewendet werden: EN ISO 12100:2010, EN 62841-1:2015+AC:2015+A11:2022, EN 62841-4-2:2019+A11:2022+A1:2022, IEC 62841-4-4:2020+A1:2024, IEC 62841-4-6:2022, ISO 11449:1994, EN ISO 11680-1:2021, EN 61000-6-3:2007+A1:2011, EN 61000-6-1:2016, EN IEC 63000:2018.

Verantwortlich für die technische Dokumentation



SMP Svensk Maskinprovning AB, Box 4053, SE-904 03 Umeå, Sweden hat eine freiwillige Typenprüfung gemäß Anhang IX der Richtlinie 2006/42/EG durchlaufen. Zertifikatnr.: SEC/24/2593.

Benannte Stelle: SMP Svensk Maskinprovning AB, hat auch die Übereinstimmung mit Anhang V der Richtlinie 2000/14/EG des Rates bestätigt. Zertifikatnr.: 01/1610/013.

Informationen zu Geräuschemissionen finden Sie unter *Technische Angaben auf Seite 140*.

Huskvarna, 2024-02-01

Stefan Holmberg, R&D Director, Technology Management, Husqvarna AB, Schweden

Зміст

Вступ.....	144	Усунення несправностей.....	154
Безпека.....	145	Транспортування, зберігання й утилізація.....	155
Збирання.....	151	Технічні характеристики.....	156
Експлуатація.....	152	Додаткове приладдя.....	157
ТЕХНІЧНЕ ОБСЛУГОВУВАННЯ.....	153	Декларація відповідності.....	158

Вступ

Призначення

Цей силовий агрегат працює лише зі схваленими аксесуарами. Список схвалених аксесуарів див. у

Огляд виробу

(Мал. 1)

1. Посібник користувача
2. Шестигранний ключ, 4 мм
3. Петельний тримач
4. Фіксувальна головка
5. Кнопка ввімкнення/вимкнення
6. Кнопка режиму швидкості
7. Фіксатор механічного пускового пристрою
8. Інтерфейс користувача
9. Механічний пусковий пристрій
10. Заряджальний пристрій (додаткове приладдя)
11. Індикатор заряджання та помилки на зарядному пристрої
12. Кнопки для виймання акумуляторної батареї
13. Акумулятор (додаткове приладдя)
14. Світлодіодний індикатор рівня заряду
15. Світлодіодний індикатор попереджень
16. Кнопка індикатора стану акумулятора
17. Муфта для встановлення насадок

Зверніть увагу: У різних моделях акумулятор і зарядний пристрій можуть виглядати по-різному.

Символи на виробі

- (Мал. 2) **ПОПЕРЕДЖЕННЯ!** Виріб може становити небезпеку! Недбале чи неправильне використання може спричинити серйозне або смертельне поранення користувача чи інших осіб. Дуже важливо прочитати Посібник користувача й зрозуміти його зміст. Перед початком експлуатації виробу уважно прочитайте Посібник користувача й переконайтеся, що ви зрозуміли наведені в ньому вказівки.

Додаткове приладдя на сторінці 157. Обов'язково прочитайте цей посібник і посібник користувача схвалених аксесуарів.

- (Мал. 3) Перш ніж проводити технічне обслуговування, від'єднайте акумулятор.

- (Мал. 4) Номінальна напруга, В

- (Мал. 5) Постійний струм.

- (Мал. 6) Виріб відповідає належним вимогам директив ЄС.

- (Мал. 7) Символи на виробі або його упаковці вказують на те, що його не слід утилізувати разом із побутовими відходами. Утилізацію цього інструмента слід здійснювати на спеціалізованому підприємстві.

- (Мал. 8) Цей виріб захищено від бризок.

ууууwwxxxx На таблиці з паспортними даними вказано серійний номер, де **уууу** – це рік виготовлення, **ww** – тиждень виготовлення, а **xxxx** – порядковий номер.

Зверніть увагу: Інші позначення на виробі відповідають вимогам спеціальних сертифікатів для інших торгових зон.

Виробник

Husqvarna AB

Drottninggatan 2, SE-561 82 Huskvarna, Sweden, tel: +46-36-146500

Пошкодження виробу

Ми не несемо відповідальності за пошкодження, якщо:

- виріб було неправильно відремontовано;
- виріб було відремontовано із використанням деталей, виготовлених не виробником або не затверджених ним;
- виріб обладнано аксесуаром, виготовленим не виробником або не затвердженим ним;
- виріб було відремontовано в неавторизованому сервісному центрі або неавторизованою компанією;

Підтримка

Щодо підтримки виробу, перейдіть до розділу підтримки на стор. , щоб отримати доступ до інструкцій, посібників з усунення несправностей або скористатися порталом самообслуговування та помічником з обслуговування виробу Husqvarna (якщо вони доступні на вашому ринку). Із запитаннями щодо додаткової підтримки виробу звертайтеся до дилера з обслуговування компанії Husqvarna.

Безпека

Визначення щодо безпеки

Попередження, застереження й примітки служать для наголошення на особливо важливих положеннях посібника.



ПОПЕРЕДЖЕННЯ: Вказує на те, що в разі порушення інструкцій, наведених у цьому посібнику, існує небезпека поранення або смерті оператора чи інших осіб, що знаходяться поруч.



УВАГА: Вказує на те, що в разі порушення інструкцій, наведених у цьому посібнику, існує небезпека пошкодження виробу, інших матеріалів або навколишніх об'єктів.

Зверніть увагу: Використовується для надання додаткової інформації щодо певної ситуації.

Загальні правила безпеки при роботі з електроінструментами



ПОПЕРЕДЖЕННЯ: Обов'язково прочитайте цей посібник користувача пристрою й посібник користувача схвалених аксесуарів.



ПОПЕРЕДЖЕННЯ: Ознайомтеся з усіма попередженнями щодо техніки безпеки, інструкціями, рисунками й технічними характеристиками до цього виробу. Недотримання наведених далі інструкцій може призвести до враження електричним струмом, пожежі та / або серйозних травм.

Зверніть увагу: Збережіть усі попереджувальні знаки й інструкції для звернення до них у майбутньому. Терміном «електроінструмент» у попередженнях позначається ваш електроінструмент, який працює від електромережі (з кабелем), або акумуляторний (безпровідний) електроінструмент.

Безпека в робочій зоні

- **Забезпечуйте порядок та добре освітлення в робочій зоні.** Безлад і погане освітлення можуть призвести до нещасних випадків.
- **Не використовуйте електроінструменти в вибухонебезпечному середовищі, як-от за наявності горючих рідин, газів або пилу.** Під час роботи електроінструментів утворюються іскри, які можуть запалити пил або парі.
- **Під час використання електроінструмента тримайте на відстані дітей та інших осіб.** Ви можете відволіктися та втратити контроль.

Безпека під час використання електроінструментів

- **Штепсельні вилки електроінструмента повинні підходити до розетки. У жодному разі не змінюйте вилку будь-яким чином. Не використовуйте вилки-перехідники разом із заземленими електроінструментами.** Незмінні вилки та відповідні розетки зменшують ризик враження електричним струмом.
- **Уникайте тілесного контакту із заземленими поверхнями, такими як труби, радіатори, кухонні плити та холодильники.** Існує підвищений ризик враження електричними струмом, якщо ваше тіло заземлене.
- **Не допускайте потрапляння дощової води або вологи на електроінструменти.** Потрапляння води у виріб збільшує загрозу ураження електричним струмом.
- **Використовуйте кабель лише за призначенням. За жодних умов не використовуйте**

кабель для перенесення чи перетягування електроінструмента й не тягніть за нього, щоб вийняти вилку з розетки. Тримайте кабель подалі від джерела тепла, мастила, гострих країв або рухомих деталей. Пошкоджений чи заплутаний кабель збільшує ризик враження електричним струмом.

- Якщо Ви працюєте з електроінструментом під відкритим небом, використовуйте тільки кабелі-подовжувачі, які призначені для робіт під відкритим небом. Використання кабелю, придатного для застосування надворі, зменшує ризик ураження електричним струмом.
- Якщо не можна уникнути експлуатації електроінструмента в умовах вологості, використовуйте автоматичний запобіжний вимикач, що спрацює при появі струму витоку. Використання ПЗВ знижує ризик ураження електричним струмом.

Особиста безпека

- Будьте уважні під час використання електроінструмента й керуйтеся здоровим глуздом. Не використовуйте електроінструмент, коли ви стомлені або перебуваєте під впливом наркотиків, алкоголю або лікарських засобів. Одна мить неуважності під час використання електроінструмента може призвести до серйозних травм.
- Використовуйте засоби індивідуального захисту. Обов'язково необхідно користуватися засобами захисту для очей. Захисне спорядження, наприклад респіратор, черевки з нековзною підшоивою, каска або захисні навушки за використання у відповідних умовах зменшують ризик травмування.
- Запобігайте випадковому запуску. Переконайтеся, що вимикач перебуває у вимкненому положенні, перш ніж підключати електроінструмент до джерела живлення чи акумуляторного блока, піднімати або переносити його. Якщо під час перенесення електроінструмента ви тримаєте палець на перемикачі або підключаєте пристрій до електроживлення, коли перемикач перебуває у положенні «увімкнено», це може призвести до нещасного випадку.
- Перед вимкненням електроінструменту вийміть регульовані інструменти або гайковий ключ. Інструмент або ключ, які знаходяться в частині електроінструмента, що обертається, можуть призвести до травм.
- Не тягніться. Завжди дотримуйтеся належних дистанцій і балансування. Завдяки цьому ви зможете краще контролювати електроінструмент у несподіваних ситуаціях.
- Одягайтеся правильно. Не вдягайте просторий широкий одяг, не надягайте на себе ювелірні вироби. Тримайте волосся й одяг подалі від рухомих частин. Просторий широкий одяг,

ювелірні вироби або довге волосся можуть потрапити в рухомі деталі.

- У разі наявності обладнання з видалення й збору пилу переконайтеся в тому, що воно під'єднано та використовується правильно. Використання обладнання для збору пилу зменшує ризики, поєднані з пилом.
- Досвід роботи, набутий упродовж регулярного використання цього виробу, не є підставою для недбалого експлуатації виробу й нехтування технікою безпеки. Необережні дії можуть миттєво призвести до тяжких травм.

Застосування електроінструмента та поведіння з ним

- Не перевантажуйте електроінструмент. Використовуйте для своєї роботи тільки електроінструмент, який призначений для цього. З відповідним електроінструментом Ви працюватимете краще й безпечніше в зазначеному діапазоні потужності.
- Не використовуйте електроінструмент, вимикач якого зіпсований. Інструмент, який не можна ввімкнути або вимкнути перемикачем, є небезпечним і підлягає ремонту.
- Коли ви збираєтеся виконувати будь-які налаштування, заміняти приладдя або залишати електроінструмент на зберігання, спочатку витягніть штекер із розетки живлення чи змінний акумуляторний блок із електроінструмента. Такі запобіжні заходи з техніки безпеки допоможуть запобігти випадковому запуску електроінструмента.
- Зберігайте електроінструменти, якими Ви не користуєтесь, поза досяжністю дітей. Не дозволяйте особам, які не обізнані з експлуатацією пристроїв або наданими інструкціями, користуватися ними. Електроінструменти є небезпечними, якщо їх використовують недосвідчені особи.
- Виконуйте технічне обслуговування електроінструментів і приладдя. Перевіряйте електроінструмент на предмет зміщення чи вигину рухомих деталей, поломок деталей та будь-якого іншого стану, що може негативно позначитися на його роботі. Перед використанням виробу відремонтуйте пошкоджені деталі. Багато аварій трапляється через погане обслуговування електроінструментів.
- Підтримуйте різальні елементи нагостреними й чистими. Належно доглянуті різальні елементи з гострими різальними кантами менше застрягають та ними легше керувати.
- Використовуйте електроінструмент, комплектуючі, робочий інструмент тощо відповідно до цих вказівок, беручи до уваги умови праці й вид робіт. Експлуатація електроінструментів у цілях, не зазначених в інструкції, може призвести до виникнення небезпечних ситуацій.

- **Рукоятки та поверхні для тримання мають бути сухими, чистими й знежиреними.** Слизькі ручки та поверхні захвату зменшують надійність керування й контролю електрострумента в непередбачуваних ситуаціях.

Використання акумуляторного обладнання та догляд за ним

- **Заряджати акумулятор треба виключно за допомогою зарядного пристрою, зазначеного виробником.** Використання зарядного пристрою, призначеного для роботи з акумуляторами одного типу, з акумуляторами іншого типу може призвести до пожежі.
- **В електроінструментах застосовуйте тільки передбачені для них акумулятори.** Використання акумуляторних батарей інших типів може призвести до травмування чи пожежі.
- **Якщо акумуляторний блок не використовується, слід тримати його подалі від металевих предметів, таких як скріпки, монети, ключі, цвяхи, гвинти й інші дрібні металеві предмети, які можуть з'єднати один контакт батареї з іншим.** Замикання контактів акумулятора може призвести до опіків або пожежі.
- **У разі неправильного застосування з акумулятора може випликуватися рідина; уникайте контакту з нею. При випадковому контакті промийте місце контакту водою. В разі потраплення рідини в очі на додаток до їхнього інтенсивного промивання зверніться по медичну допомогу.** Рідина з акумуляторної батареї може викликати подразнення та опіки.
- **Не використовуйте акумуляторну батарею або електроінструмент, якщо вони пошкоджені або в їхню конструкцію внесено зміни.** Пошкоджені або модифіковані акумулятори працюють нестабільно: вони можуть зайнятися, вибухнути або іншим чином травмувати оператора.
- **Тримайте акумуляторну батарею та електроінструмент подалі від джерел відкритого полум'я та високих температур.** Під впливом вогню або температури понад 130 °C (265 °F) може статися вибух.
- **Дотримуйтеся інструкції із заряджання і за жодних обставин не заряджайте акумуляторну батарею або електроінструмент за межами температурного діапазону, наведеного в інструкції з експлуатації.** Неналежне заряджання за температури поза межами зазначеного діапазону може пошкодити акумулятор і підвищує ризик займання.

Обслуговування

- **Свій електроінструмент ремонтуйте тільки в кваліфікованих спеціалістів і лише з використанням оригінальних деталей.** Це забезпечить гарантію збереження безпеки електроінструмента.

- **За жодних умов не виконуйте технічне обслуговування пошкоджених акумуляторних блоків.** Технічне обслуговування акумуляторних блоків мають виконувати лише спеціалісти виробника або вповноваженого постачальника послуг.

Додаткові загальні правила техніки безпеки

- Перш ніж перейти в інше місце, вимикайте виріб. Завжди виймайте акумулятор, якщо передасте виріб іншій особі.
- Не кладіть виріб на землю, якщо ви не вимкнули його й не витягли з нього акумулятор. Не залишайте виріб без нагляду, якщо він увімкнений.
- Різальний інструмент не зупиняється одразу після вимкнення виробу.
- Перед початком використання виробу та після того, як він зазнав будь-якого удару, перевірте його на ознаки зношеності чи пошкодження та відремонтуйте за потреби.
- Якщо під час експлуатації виробу щось застрягне в різальній насадці, зупиніться й вимкніть живлення пристрою. Переконайтеся, що різальна насадка повністю зупинилася. Виймайте акумулятор перед очищенням, оглядом чи ремонтом виробу та/або різального обладнання.
- Перевірте виріб перед використанням. Див. *Запобіжне обладнання на виробі на сторінці 149 та ТЕХНІЧНЕ ОБСЛУГОВУВАННЯ на сторінці 153.* Не користуйтеся пошкодженим виробом. Вживайте заходи техніки безпеки та дотримуйтеся вказівок із технічного обслуговування, наведених у цьому посібнику.
- Несправна різальна насадка може збільшувати ймовірність виникнення нещасних випадків.
- Перевірте редуктор на наявність забруднень та тріщин. Очистіть редуктор щіткою від трави й листя. За необхідності треба надягати рукавички.
- Не допускайте засмічення вентиляційних отворів.
- Упевніться, що головка тримера повністю під'єднана до тимера.
- До початку роботи потрібно встановити усі кришки, захисні кожухи та ручки.
- Переконайтеся, що виріб у справному стані. Переконайтеся, що гайки й гвинти затягнуто належним чином.
- Переконайтеся, що головка й захисний кожух тримера не мають тріщин і не пошкоджені. Замініть головку тримера й захисний кожух, якщо вони зазнали удару або мають тріщину. Завжди використовуйте кожух, що рекомендований для встановленої різальної насадки. Див. *Технічні характеристики на сторінці 156.*
- У разі неправильного або недбалого використання цей виріб може становити небезпеку. Він може спричинити серйозні травми або загибель оператора чи сторонніх осіб.

- Цей прилад не призначений для експлуатації особами з обмеженими фізичними, сенсорними або психічними можливостями або тими, які не мають досвіду та знань (у тому числі дітьми), хіба що вони користуються виробом під наглядом відповідальної за їхню безпеку особи або належним чином проінструктовані нею. Необхідно наглядати за дітьми, щоб вони не гралися з цим приладом.
- Ніколи не дозволяйте дітям використовувати інструмент чи знаходитися біля нього. Оскільки запустити пристрій досить просто, діти можуть це зробити, якщо залишити їх без нагляду. Це може означати ризик тяжкої травми. Тому слід від'єдувати елементи живлення, якщо пристрій перебуває без нагляду.
- Ніколи не дозволяйте дітям або невідготовленим людям використовувати виріб і / або акумулятор чи здійснювати його технічне обслуговування.
- Зберігайте обладнання в закритому місці, недоступному для дітей і сторонніх осіб.
- Транспортувальна кришка має завжди використовуватися під час зберігання й транспортування.
- Завжди тримайте руки та ноги на відстані від зони різання, особливо під час запуску двигуна.
- Тримайте руки й ноги на безпечній відстані від різальної насадки, доки вона повністю не зупиниться після вимкнення виробу.
- Заборонено прибирати зрізану траву самому або дозволяти роботи це іншим, коли виріб працює або різальне обладнання обертається, адже це може призвести до тяжких травм.
- Пам'ятайте, що саме ви, користувач, є відповідальним за те, щоб люди та їхнє майно не наражалося на небезпеку та не страждали від нещасних випадків.
- За жодних обставин не змінюйте конструкцію виробу без дозволу виробника. Використовуйте лише оригінальні приладдя. Застосування незгодованих модифікацій та/або приладдя може призвести до серйозної чи смертельної травми користувача чи інших осіб. Гарантія на виріб не розповсюджується на пошкодження чи відповідальність через використання несертифікованих аксесуарів чи запчастин.
- Єдині приладдя, які дозволено використовувати під час роботи із цим виробом, – це різальні насадки, рекомендовані в розділі «Аксесуари». Див. *Додаткове приладдя на сторінці 157*.
- Заборонено користуватися виробом, якщо його конструкцію було якимось чином змінено
- Заборонено користуватися несправним виробом. Дотримуйтеся вимог із техніки безпеки та вказівок щодо технічного обслуговування, наведених у цьому посібнику. Деякі операції технічного обслуговування мають виконувати лише кваліфіковані фахівці. Дивіться розділ "Технічне обслуговування".
- Робота за несприятливих погодних умов утомлює і часто створює додаткову небезпеку. Не рекомендовано використовувати виріб за складних погодних умов, наприклад у густий туман, під час зливи, сильного вітру чи холоду, коли є ризик ураження блискавкою тощо, адже це створює додаткову небезпеку
- Ніколи не працюйте на драбині, табуреті та в іншому піднятому положенні, яке не є достатньо надійним.
- Зберігайте прилади в приміщеннях – прилади, які не використовуються, мають зберігатися в приміщеннях.
- Неможливо передбачити в посібнику всі ситуації, які можуть виникнути під час використання пристрою. Завжди будьте обережні та керуйтеся здоровим глуздом. Уникайте завдань, які виходять за межі ваших можливостей. Якщо після ознайомлення з інструкціями у вас усе ще залишаться сумніви щодо процедур використання інструмента, перед продовженням необхідно проконсультуватися зі знавцем.
- Подбайте про те, щоб під час роботи в радіусі 15 м навколо не було людей і тварин. Коли в одному місці застосовуються декілька виробів, безпечна відстань між операторами має становити щонайменше 15 м. Інакше існує ризик серйозного травмування. Якщо хтось підійде, негайно вимкніть пристрій. Ніколи не повертайте виріб, не перевіривши, чи не стоїть хтось за спиною.
- Переконайтеся, що люди, тварини чи будь-що інше не перешкоджатиме вам під час користування виробом і не постраждають від різальної насадки або предметів, які можуть відскочити від неї. Не користуйтеся виробом, якщо в разі нещасного випадку немає можливості покликати когось на допомогу.
- Переконайтеся, що ви можете безпечно стояти й рухатися. Перевірте, чи немає навколо можливих перешкод (коріння, каміння, гілок, ровів тощо) на випадок, якщо треба буде різко переміститися. Будьте дуже уважні, працюючи на схилах.
- Пересувайтеся повільно, ніколи не біжіть.
- Перевірте робочу зону. Приберіть усі незакріплені предмети на кшталт каміння, розбитого скла, цвяхів, сталевих дротів, мотузок тощо, які можуть відскочити чи намотатися на різальний інструмент чи його кожух.
- Бережіться пнів і гілок, які можуть відлітати під час різання. Не косіть занадто близько до землі, якщо існує ризик відскакування каміння й інших предметів.
- Переконайтеся, що під час увімкнення виробу одяг або частини тіла не торкаються різальної насадки. Тримайте виріб нижче рівня талії.
- Остерігайтеся предметів, що відскакують. Завжди користуйтеся засобами захисту очей затвердженого зразка. Ніколи не нахиляйтеся через захисний кожух різальної насадки,

сміття тощо може відскочити й потрапити в очі, спричинивши сліпоту чи тяжку травму.

- Працюючи в захисних навушниках, прислухайтеся до попереджувальних сигналів і окликів. Коли виріб зупиниться, одразу зніміть захисні навушники.
- Якщо виникають небажані вібрації, випустіть нову нитку, щоб скорегувати її довжину, після чого вібрації мають припинитися.
- Якщо виріб починає незвично вібрувати, необхідно зупинити його й вийняти акумулятор.
- У людей, які мають погіршений кровообіг, надмірна вібрація може пошкодити нервову систему або систему кровообігу. Якщо у вас проявляються симптоми надмірного впливу вібрації, зверніться до свого лікаря. До таких симптомів належать: оніміння, втрата чутливості, пощипування, поколювання, занепад сил, зміни кольору або стану шкіри. Зазвичай ці симптоми проявляються в пальцях, руках і зап'ястках.
- Завжди тримайте інструмент обома руками. Тримайте виріб праворуч.

Засоби індивідуального захисту



ПОПЕРЕДЖЕННЯ: Перш ніж розпочати використання виробу, уважно прочитайте наведені нижче попередження.

- Під час роботи з виробом завжди використовуйте сертифіковані засоби індивідуального захисту. Засоби індивідуального захисту не можуть повністю усунути небезпеку травмування, але в разі нещасного випадку знизять ступінь тяжкості травми. Дозвольте дилеру допомогти вам із вибором підходящого обладнання.
 - Надягайте захисний шолом у місцях, де є небезпека падіння предметів.
 - Використовуйте сертифіковані захисні навушники, які захистять від зайвого шуму. Тривала робота за сильного шуму може призвести до погіршення слуху.
 - Користуйтеся відповідними засобами захисту очей. У разі використання захисної маски необхідно додатково вдягати схвалені захисні окуляри. Схвалені захисні окуляри мають відповідати стандарту ANSI Z87.1 у США або EN 166 у країнах ЄС.
 - Для захисту обличчя використовуйте маску. Для захисту очей маски недостатньо.
- (Мал. 9)
- За потреби використовуйте рукавиці, наприклад якщо необхідно приєднати, оглянути або почистити різальне обладнання.
 - Взувайте міцне взуття з нековзною підошвою.
 - Використовуйте одяг, виготовлений із міцної тканини. Завжди використовуйте довгі штани з міцної тканини й сорочку з довгими рукавами.

Уникайте надто просторого одягу, який може зачепитися за сучки або гілки. Не надягайте на час роботи прикраси, короткі штани, сандалії, а також не ходіть босоніж. Заколуйте волосся вище рівня плечей.

(Мал. 10)

- Тримайте під рукою аптечку.

(Мал. 11)

Запобіжне обладнання на виробі



ПОПЕРЕДЖЕННЯ: Перш ніж розпочати використання виробу, уважно прочитайте наведені нижче попередження.

У цьому розділі описано засоби безпеки виробу, його призначення, а також порядок виконання перевірок і технічного обслуговування, необхідний для забезпечення його правильної роботи. Див. інструкції в розділі *Вступ на сторінці 144* щодо розташування цих деталей на виробі.

Термін служби виробу може зменшитися, а небезпека виникнення нещасних випадків збільшиться, якщо його технічне обслуговування виконується неправильно або якщо обслуговування та / або ремонт виконуються непрофесійно. Для отримання додаткової інформації зверніться до найближчого сервісного дилера.



ПОПЕРЕДЖЕННЯ: Не використовуйте виріб із пошкодженими елементами захисту. Захисне обладнання виробу потрібно перевіряти й здійснювати його технічне обслуговування згідно з указівками, поданими в цьому розділі. Якщо виріб не відповідає хоча б одній із вимог перевірки, зверніться до центру обслуговування для ремонту.



УВАГА: Щоб проводити обслуговування та роботи з ремонту, потрібно мати спеціальну підготовку. Це особливо стосується захисного обладнання інструмента. Якщо інструмент не відповідає принаймні одній із вимог перевірки, що наведені нижче, зверніться до працівника центру обслуговування. Купуючи будь-який наш виріб, ви отримуєте гарантію на професійний ремонт та обслуговування. Якщо продавець, у якого ви купуєте інструмент, не надає послуг з обслуговування, дізнайтеся в нього, де знаходиться найближчий центр обслуговування.

Перевірка інтерфейсу користувача

1. Натисніть і утримуйте кнопку ввімкнення / вимкнення (А). (Мал. 12)
 - а) Коли екран (В) увімкнено, це означає, що виріб також увімкнено.
 - б) Коли екран вимкнено, це означає, що виріб також вимкнено.
2. Якщо попереджувальний індикатор на екрані горить або блимає, див. *Панель кнопок на сторінці 154.*

Перевірка фіксатора механічного пускового пристрою

Фіксатор механічного пускового пристрою призначений для запобігання випадковому вмиканню. Коли ви пересуваєте фіксатор механічного пускового пристрою вперед (А), а потім притискаєте його до рукоятки (В), механічний пусковий пристрій (С) звільняється. Коли ви випускаєте з рук рукоятку, то і фіксатор, і механічний пусковий пристрій повертаються до вихідного положення. Повернення здійснюється за допомогою трьох незалежних пружин. (Мал. 13)

1. Переконайтеся, що механічний пусковий пристрій заблокований, коли фіксатор перебуває у вихідному положенні. (Мал. 14)
2. Пересуньте фіксатор механічного пускового пристрою вперед (А) і вниз. Утримуйте фіксатор механічного пускового пристрою біля рукоятки (В) і переконайтеся, що він повертається в початкове положення, коли ви його відпускаєте. (Мал. 15)
3. Переконайтеся в тому, що механічний пусковий пристрій і фіксатор рухаються вільно, а зворотні пружини працюють правильно. (Мал. 16)
4. Натисніть кнопку ввімкнення / вимкнення та утримуйте її, доки пристрій не ввімкнеться.
5. Повністю натисніть на механічний пусковий пристрій, щоб досягти максимальної частоти обертання.
6. Відпустіть механічний пусковий пристрій і переконайтеся, що різальна насадка зупинилася й не рухається.

Правила техніки безпеки під час монтажу



ПОПЕРЕДЖЕННЯ: Обов'язково прочитайте цей посібник користувача пристрою й посібник користувача схвалених аксесуарів.

- Перед монтажем вийміть акумулятор із виробу.
- Використовуйте схвалені захисні рукавиці.
- Використання пошкодженого або невідповідного кожуха може призвести до травмування.

Забороняється використовувати різальні насадки без сертифікованого захисного кожуха.

- Перед запуском виробу переконайтеся, що кришка й вал змонтовані правильно.
- Якщо в комплекті з насадкою постачається пасова підвіска, її має бути закріплено на виробі належним чином. Пасова підвіска робить експлуатацію безпечною і дає змогу запобігти травмуванню оператора чи сторонніх осіб.

Заходи безпеки під час роботи з акумуляторами



ПОПЕРЕДЖЕННЯ: Перш ніж розпочати використання виробу, уважно прочитайте наведені нижче попередження.

- Використовуйте лише акумулятори, схвалені Husqvarna. Див. *Схвалені акумулятори на сторінці 156.* Акумулятори програмно закодовані.
- Для живлення виробів Husqvarna необхідно використовувати лише акумулятори, схвалені Husqvarna. Щоб уникнути травмування, заборонено використовувати акумулятор як джерело живлення для інших приладів.
- Небезпека враження електричним струмом. Заборонено під'єднувати клеми акумулятора до ключів, монет, гвинтів або інших металевих предметів. Це може призвести до короткого замикання в акумуляторі.
- Не використовуйте одноразові акумулятори.
- Заборонено вставляти предмети у вентиляційні отвори акумулятора.
- Тримайте акумулятор подалі від прямих сонячних променів, джерел тепла й відкритого вогню. Акумулятор може призвести до опіків та/або хімічних опіків.
- Бережіть акумулятор від дощу та вологи.
- Захищайте акумулятор від впливу мікрохвиль чи високого тиску.
- Заборонено розбирати чи ламати акумулятор.
- У разі витікання рідини з акумулятора стежте, щоб вона не потрапила на тіло чи в очі. Якщо рідина потрапила на шкіру, промийте уражену ділянку великою кількістю води з милом та зверніться по медичну допомогу. Якщо рідина потрапила в очі, не слід їх терти; натомість промивайте їх водою протягом щонайменше 15 хвилин та зверніться по медичну допомогу.
- Акумулятор можна використовувати за температури від -10°C до 40°C .
- Заборонено мити батарею чи заряджальний пристрій водою. Див. *Чищення виробу, акумулятора й зарядного пристрою на сторінці 154.*
- Не використовуйте виріб, який пошкоджений або не працює належним чином.

- Зберігайте акумулятори подалі від металевих предметів на кшталт цвяхів, гвинтів чи ювелірних виробів.
- Тримайте акумулятор подалі від дітей.

Заходи безпеки під час роботи із зарядним пристроєм



ПОПЕРЕДЖЕННЯ: Перш ніж розпочати використання виробу, уважно прочитайте наведені нижче попередження.

- Через недотримання правил техніки безпеки може виникнути ризик ураження електричним струмом або короткого замикання.
- Заборонено використовувати будь-які інші зарядні пристрої, окрім того, що йде в комплекті до виробу. Схвалені акумулятори Husqvarna слід заряджати лише за допомогою схвалених зарядних пристроїв Husqvarna. Інструкції дивіться в розділі *Технічні характеристики на сторінці 156*.
- Заборонено розбирати зарядний пристрій.
- Не використовуйте зарядний пристрій, який пошкоджений або не працює належним чином.
- Заборонено підіймати зарядний пристрій, тримаючи його за шнур живлення. Щоб від'єднати зарядний пристрій від настінної розетки, витягніть штепсельну вилку. У жодному разі не тягніть за шнур живлення.
- Пильнуйте, щоб усі кабелі та подовжувальні шнури були якомога далі від води, оливи й гострих кутів. Переконайтеся в тому, що кабелі не здавлено сторонніми предметами, наприклад дверима, огорожею або аналогічними предметами.
- Заборонено використовувати зарядний пристрій поблизу легкозаймистих або корозійних матеріалів. Переконайтеся в тому, що зарядний пристрій нічим не накритий. При появі диму чи вогню витягніть штепсель зарядного пристрою з розетки.
- Заряджати акумулятор слід тільки в добре провітрюваних приміщеннях та подалі від сонячного світла. Не заряджайте акумулятор надворі. Не заряджайте акумулятор у вологому середовищі.
- Використовуйте зарядний пристрій лише в приміщеннях із температурою від 5 °C (41 °F) до 40 °C (104 °F). Використовуйте зарядний

пристрій лише в сухому приміщенні з належною вентиляцією, в якому немає пилу.

- Забороняється вставляти предмети у вентиляційні отвори зарядного пристрою.
- Заборонено з'єднувати контакти зарядного пристрою металевими предметами, оскільки це може призвести до короткого замикання.
- Використовуйте справні розетки відповідного типу. Переконайтеся в тому, що шнур зарядного пристрою не пошкоджено. Якщо використовуються подовжувачі, переконайтеся в тому, що вони не пошкоджені.

Правила техніки безпеки під час обслуговування



ПОПЕРЕДЖЕННЯ: Перш ніж розпочати технічне обслуговування виробу, уважно прочитайте наведені нижче попередження.

- Перед технічним обслуговуванням, іншими перевітками чи монтажем виробу необхідно виймати акумулятор.
- Оператор має виконувати лише ті види технічного обслуговування, що описані в цьому посібнику користувача. У разі необхідності виконання складніших робіт із технічного обслуговування слід звернутися до сервісного дилера.
- Заборонено мити батарею чи зарядний пристрій водою. Використання сильнодіючих миючих засобів може призвести до пошкодження пластику.
- Відсутність технічного обслуговування зменшує термін служби виробу й підвищує вірогідність виникнення нещасних випадків.
- Для виконання робіт з обслуговування й ремонту, особливо в разі роботи із захисними пристроями виробу, необхідна спеціальна підготовка. Якщо після технічного обслуговування виріб не пройде частину перевірок, наведених у цьому посібнику користувача, зверніться до свого сервісного дилера. Ми гарантуємо можливість професійного ремонту й обслуговування вашого виробу.
- Використовуйте лише оригінальні запасні частини.
- Під час роботи з різальною насадкою завжди надавайте міцні рукавиці. Леза дуже гострі й можуть легко спричинити травми.

Збирання

Монтаж петельного тримача

1. Встановіть петельний тримач на вал між стрілками. Не встановлюйте петельний тримач або кільце підвісної системи в місце, де розташована наклейка. (Мал. 17)

2. Вставте прокладку в отвір на петельному тримачі.
3. Встановіть гайку, головку та гвинт, але не затягуйте занадто сильно.
4. Налаштуйте виріб так, щоб вам було зручно працювати.

5. Закрутіть болт.

Монтаж двосекційного вала

1. Поверніть головку для послаблення муфти. (Мал. 18)
2. Вирівняйте виступ (А) зі стрілкою (В) на муфті. (Мал. 19)
3. Вставляйте вал у муфту, доки він не встане на місце. (Мал. 20)
4. Надійно затягніть фіксуючу головку. (Мал. 21)

Демонтаж двосекційного вала

1. Поверніть головку на три чи більше оберти, щоб послабити муфту. (Мал. 22)
2. Натисніть та утримуйте кнопку (С).

3. Міцно тримайте кінець вала, до якого під'єднано двигун.
4. Витягніть насадку з муфти. (Мал. 23)

Установлення кільця підвісної системи (за наявності)

1. Установіть кільце підвісної системи між стрілками на задній ручці й петельним тримачем. (Мал. 24)

Зверніть увагу: Не встановлюйте петельний тримач в місце, де розташована наклейка.

2. Відрегулюйте кільце таким чином, щоб збалансувати пристрій і забезпечити можливість зручного використання.

Експлуатація

Вступ



ПОПЕРЕДЖЕННЯ: Перед використанням виробу уважно прочитайте розділ про правила техніки безпеки.

Husqvarna Connect

Husqvarna Connect є безкоштовною програмою для мобільного пристрою. У програмі Husqvarna Connect доступна низка розширених функцій для користування Husqvarna.

- розширена інформація про виріб;
- відомості про деталі й обслуговування виробу, а також довідкова інформація.

Щоб почати користуватися Husqvarna Connect

1. Завантажте програму Husqvarna Connect на свій мобільний пристрій.
2. Зареєструйтеся в програмі Husqvarna Connect.
3. Виконайте вказівки з підключення та реєстрації виробу, наведені в програмі Husqvarna Connect.

Зверніть увагу: У деяких країнах програма Husqvarna Connect може бути недоступною для завантаження. По додаткову інформацію звертайтеся до свого сервісного дилера.

Під'єднання акумулятора до виробу



ПОПЕРЕДЖЕННЯ: Використовуйте лише оригінальні акумулятори Husqvarna.

1. Переконайтеся, що акумулятор повністю заряджений.
2. Вставте акумулятор у тримач акумулятора виробу. Акумулятор зафіксується на місці, коли ви почуєте клацання. (Мал. 25)



УВАГА: Якщо акумулятор не вставляється в тримач легко, ви встановлюєте його неправильно. Це може призвести до пошкодження виробу.

3. Переконайтеся, що акумулятор встановлено правильно.

Заряджання акумулятора

Зверніть увагу: Перед першим використанням акумулятор необхідно зарядити. Новий акумулятор заряджений лише на 30 %.

1. Переконайтеся, що акумулятор сухий.
2. Уставте акумулятор у заряджальний пристрій. (Мал. 26)

Зверніть увагу: Акумулятор і зарядний пристрій мати різний вигляд залежно від моделі, однак застосовується однакова процедура.

3. Переконайтеся, що на зарядному пристрої ввімкнувся зелений індикатор заряджання. Це буде означати, що акумулятор під'єднаний до зарядного пристрою правильно.
4. Якщо загоряються всі світлодіодні індикатори, це означає, що акумулятор повністю заряджений. (Мал. 27)
5. Щоб від'єднати зарядний пристрій від настінної розетки, витягніть штепсельну вилку. Не тягніть за кабель.

6. Вийміть акумулятор із зарядного пристрою.

Зверніть увагу: Детальнішу інформацію можна знайти в посібниках для акумулятора й зарядного пристрою.

Робоче положення

- Тримайте виріб обома руками.
- Тримайте виріб праворуч.
- Тримайте різальну насадку нижче рівня пояса.
- Тримайтеся подалі від гарячих поверхонь.
- Тримайтеся подалі від ріжучої насадки.

Перед початком роботи з виробом

- Огляньте робочу ділянку й переконайтеся, що ви ознайомилися з видом місцевості, нахилом землі та наявністю перешкод на кшталт каменів, гілок та ям.
- Проведіть загальний огляд виробу.
- Проведіть перевірки безпеки, технічне й інше обслуговування, наведені в цьому керівництві.
- Переконайтеся, що всі кришки, захисні кожухи, ручки й аксесуари встановлені правильно та не пошкоджені.

Запуск виробу

1. Натисніть кнопку ввімкнення / вимкнення та утримуйте її, доки не ввімкнеться зелений світлодіодний індикатор. (Мал. 28)
2. Керуйте швидкістю за допомогою механічного пускового пристрою.

Обмеження максимальної частоти обертання за допомогою кнопки зміни режиму

Цей виріб оснащено кнопкою зміни режиму. За допомогою цієї кнопки оператор може встановлювати

обмеження максимальної частоти обертання. Кнопка зміни режиму дає змогу перемикатися між 3 рівнями частоти обертання. На нижчих рівнях виріб споживає менше енергії, тому час роботи продовжується. Кнопка зміни режиму дає змогу перемикатися між 3 рівнями частоти обертання. На нижчих рівнях виріб споживає менше енергії, тому час роботи продовжується. Якщо для виконання роботи не потрібна максимальна потужність або частота обертання, користуйтеся виробом на рівнях 1 і 2. Якщо для виконання роботи потрібна максимальна потужність або частота обертання, увімкніть рівень 3. Не слід вмикати більшу потужність, ніж необхідно.

1. Натисніть кнопку зміни режиму, щоб установити обмеження максимальної частоти обертання. Про активний стан функції свідчитиме ввімкнений білий світлодіодний індикатор. (Мал. 29)
2. Знову натисніть кнопку зміни режиму, щоб установити наступний рівень частоти обертання.

Функція автоматичного вимкнення

Виріб оснащено функцією автоматичного вимкнення, яка вимикає виріб, якщо ви не користуєтеся ним упродовж 3 хвилин.

Зупинення виробу

1. Відпустіть механічний пусковий пристрій або його фіксатор.
2. Натисніть кнопку ввімкнення / вимкнення. (Мал. 30)
3. Натисніть кнопки виймання на акумуляторі й витягніть його. (Мал. 31)

ТЕХНІЧНЕ ОБСЛУГОВУВАННЯ

Вступ



ПОПЕРЕДЖЕННЯ: Перед виконанням будь-яких робіт із технічного обслуговування обов'язково прочитайте й усвідомте зміст розділу про заходи безпеки.

Нижче наведено перелік заходів технічного обслуговування, які слід виконувати. Крім технічного обслуговування, зазначеного в графіку технічного обслуговування, регулярно звертайтеся до дилера з обслуговування Husqvarna для обслуговування виробу. Із запитаннями щодо інтервалів технічного обслуговування звертайтеся до дилера з обслуговування Husqvarna.

Графік технічного обслуговування



ПОПЕРЕДЖЕННЯ: Перед технічним обслуговуванням необхідно виймати акумулятор.

Технічне обслуговування	Щодня	Щотижня	Щомісяця
Очистьте зовнішні деталі виробу сухою ганчіркою. Не використовуйте воду.	X		
Переконайтеся, що кнопка живлення працює правильно й не пошкоджена.	X		
Переконайтеся в тому, що механічний пусковий пристрій і його фіксатор працюють правильно з точки зору безпеки.	X		
Переконайтеся, що всі елементи керування працюють і не пошкоджені.	X		
Рукоятки мають бути сухими, незабрудненими й очищеними від масла та мастила.	X		
Переконайтеся в тому, що всі гвинти й гайки затягнуті.	X		
Переконайтеся, що кнопки фіксатора на акумуляторі в справному стані та надійно утримують акумулятор виробу.	X		
Перевірте акумулятор на відсутність пошкоджень.	X		
Переконайтеся, що акумулятор заряджений.	X		
Переконайтеся, що зарядний пристрій не пошкоджений і працює належним чином.	X		
Перевірте всі кабелі та з'єднання. Переконайтеся, що вони не пошкоджені та не брудні.		X	
Перевірте з'єднання між акумулятором і виробом. Перевірте з'єднання між акумулятором і зарядним пристроєм.			X

Чищення виробу, акумулятора й зарядного пристрою

- Після використання протріть виріб сухою тканиною.
- Протріть сухою тканиною акумулятор і зарядний пристрій. Тримайте напрямні рейки акумулятора в чистоті.
- Перед встановленням акумулятора в зарядний пристрій чи виріб переконайтеся, що контакти акумулятора й зарядного пристрою чисті.

Двосекційний вал

Змащуйте кінець приводного вала кожні 30 годин роботи. Існує ризик того, що кінці ведучого вала (шліцеве з'єднання) на моделях із двохсекційними валами застряватимуть, якщо вони не змащуватимуться регулярно. (Мал. 32)

Усунення несправностей

Панель кнопок

Світлодіодний дисплей	Можливі несправності	Рекомендовані дії
Блимає зелений світлодіодний індикатор включення.	Недостатня напруга акумуляторної батареї.	Зарядіть акумулятор.

Світлодіодний дисплей	Можливі несправності	Рекомендовані дії
Блимає червоний світлодіод помилки	Перевантаження.	Різальну насадку заїло, вимкніть виріб. Вийміть акумулятор. Очистьте різальну насадку від сторонніх матеріалів.
	Відхилення температури від норми.	Дайте виробу охолонути.
	Одночасно натиснуто курок-вимикач та кнопку включення.	Відпустіть механічний пусковий пристрій, після чого виріб буде увімкнено.
Виріб не запускається	Бруд у з'єднувачах акумулятора.	Прочистьте з'єднувачі акумулятора стисненим повітрям або м'якою щіткою.
Світлодіодний індикатор помилки горить червоним	Виріб потребує обслуговування.	Зверніться до центру обслуговування.

Транспортування, зберігання й утилізація

Транспортування та зберігання

- На літій-іонні акумулятори поширюються правила щодо небезпечного вантажу.
- У разі перевезення пасажирським або вантажним транспортом дотримуйтеся спеціальних вимог щодо упаковки й маркування (це правило також стосується третіх осіб і експедиторів).
- Перш ніж відправляти виріб, проконсультуйтеся з особою, що пройшла спеціальну підготовку щодо поводження з небезпечними матеріалами. Дотримуйтеся всіх застосованих національних норм і правил.
- Перед пакуванням акумулятора ізолюйте відкриті контакти. Зафіксуйте акумулятор в упаковці, щоб він не рухався.
- Під час підготовки до зберігання чи транспортування виробу завжди виймайте акумулятор.
- Зберігайте акумулятор і зарядний пристрій у сухому приміщенні, захищеному від вологи та низьких температур.
- Заборонено зберігати акумулятор у місці, де можуть утворюватися статичні заряди. Не зберігайте акумулятор у металевій коробці.
- Зберігайте акумулятор за температури 5–25 °C у захищеному від прямих сонячних променів місці.
- Зберігайте зарядний пристрій за температури від 5 °C до 45 °C у захищеному від прямих сонячних променів місці.
- Використовуйте зарядний пристрій лише за температури навколишнього середовища 4–40 °C.

- Перед довготривалим зберіганням акумулятор необхідно зарядити на 30–50 %.
- Зберігайте зарядний пристрій у сухому закритому приміщенні.
- Зберігайте акумулятор і зарядний пристрій окремо. Не дозволяйте дітям та іншим особам без належної підготовки торкатися обладнання. Зберігайте обладнання в приміщеннях, які можна закрити на замок.
- Перед тривалим зберіганням промийте виріб і проведіть повне технічне обслуговування.
- Під час транспортування й зберігання використовуйте чохол для транспортування, що допоможе захистити виріб від травм і пошкоджень.
- Під час транспортування надійно закріплюйте виріб.

Утилізація акумулятора, зарядного пристрою й виробу

Символи на виробі або упаковці виробу вказують на те, що виріб не слід утилізувати разом із побутовими відходами. Утилізацію необхідно проводити на підприємстві з переробки відходів електричного й електронного обладнання. Це допоможе запобігти шкоді навколишньому середовищу й людям.

Зверніться до місцевих органів влади, місцевої служби переробки відходів або дилера по додатковій інформації про методи утилізації виробу.

Технічні характеристики

Технічні характеристики

	325iLK
Електродвигун	
Тип двигуна	Двигун постійного струму (без щіток) 36 В
Частота обертання вихідного вала, об/хв	8400
Маса	
Вага (без аксесуарів), кг	2,9
Випромінювання шуму ^{81, 82}	
Рівень звукової потужності, дБ (А)	89–103
Гарантований рівень звукової потужності, L _{WA} дБ(А)	90–106
Рівні шуму ^{83, 84}	
Еквівалентний рівень звукового тиску у вусі оператора, виміряний за стандартом EN 62841-1, дБ (А):	78–93
Рівні вібрації ^{85, 86}	
Рівень вібрації в ручках, виміряний відповідно до стандарту EN 62841-1, м/с ²	1,3-5,5 / 1,1-3,1

Схвалені акумулятори

Акумулятор	BLi200	40-B220X
Тип	Літій-іонний	Літій-іонний
Ємність батареї, ампер-години	5,2	6,0
Номінальна напруга, В	36	36

⁸¹ Випромінювання шуму в середовище, виміряне як звукова потужність (LWA), відповідає директиві ЄС 2000/14/ЄС. Заявлений рівень звукової потужності цієї машини було виміряно під час роботи оригінальної різальної насадки, що створює найбільший рівень шуму. Різниця між гарантованим та вимірним рівнем звукової потужності полягає в тому, що гарантований рівень звукової потужності також враховує розбіжність у результатах вимірювання та відмінні між різними машинами однієї моделі згідно з Директивою 2000/14/ЄС.

⁸² Рівень шуму вказано в діапазоні від найменшого до найбільшого виміряних значень.

⁸³ Указані дані про рівень звукового тиску для мають стандартну статистичну розбіжність (стандартне відхилення) у 3 дБ (А) й виміряні за використання оригінальної насадки, що забезпечує максимальний рівень звукового тиску.

⁸⁴ Рівень шуму вказано в діапазоні від найменшого до найбільшого виміряних значень.

⁸⁵ Заявлені дані щодо рівня вібрації мають стандартну статистичну розбіжність (стандартне відхилення) у 2 м/с². Для порівняння рівнів вібрації, акумуляторів і продуктів згоряння скористайтеся калькулятором вібрації: <https://www.husqvarna.com/uk/services-solutions/vibration-calculator/>.

⁸⁶ Рівень шуму вказано в діапазоні від найменшого до найбільшого виміряних значень.

Акумулятор	BLi200	40-B220X
Вага, кг (фунти)	1,3 (2,9)	1,4 (3,1)

Сертифіковані зарядні пристрої

Зарядний пристрій	QC330	40-C500X
Вхідна напруга, В	100-240	100-240
Частота, Гц	50–60	50–60
Потужність, Вт	330	500

Додаткове приладдя

Насадки

Схвалене приладдя	Номер аксесуара ⁸⁷	Група аксесуарів ⁸⁸	Використовувати з
Насадка-кущоріз BCA850	1	1–10	325iLK
Насадка-повітродув BA101	11	11–20	325iLK
Прилад для кромкоріза ECA850	21	21–30	325iLK
Прилад для кромкоріза ESA850	22	21–30	325iLK
Пристрій для ножиць живої огорожі HA860	32	31–40	325iLK
Насадка-висоторіз PAX730	41	41–50	325iLK
Насадка-висоторіз PAX1100	42	41–50	325iLK
Насадка-пилка PA1100	43	41–50	325iLK
Насадка для прибирача Sweeper SR600-2	51	51–60	325iLK
Насадка-щітка BR600	52	51–60	325iLK
Насадка-грунторозпушувач DT600	53	51–60	325iLK
Насадка-культиватор CA230	54	51–60	325iLK
Насадка зі зворотно-поступальним рухом RA850	2	1–10	525iLK

⁸⁷ Певний номер схваленого аксесуара в групі аксесуарів.

⁸⁸ Схвалені аксесуари розділено на групи аксесуарів. Кожна група аксесуарів має схожі функції й позначення.

Декларація відповідності

Декларація відповідності ЄС

Ми, компанія **Husqvarna AB**, SE-561 82 Huskvarna, Швеція, тел.: +46-36-146500, заявляємо під свою виключну відповідальність, що представлений виріб:

Опис	Пристрій з акумуляторним живленням (тример для трави)
Бренд	Husqvarna
Тип / модель	325iLK (без аксесуарів)
Ідентифікація	Серійні номери за 2024 рік і пізніше

повністю відповідає таким директивам і нормам ЄС:

Директива/норма	Опис
2006/42/EC	«Про механічне обладнання»
2014/30/EMC	«Про електромагнітну сумісність»
2011/65/EU	«Про обмеження використання небезпечних речовин»
2000/14/EC	«Про випромінювання шуму від обладнання, призначеного для використання надворі»

і що до нього застосовуються вказані далі узгоджені стандарти та (або) технічні специфікації: EN ISO 12100:2010, EN 62841-1:2015+AC:2015+A11:2022, EN 62841-4-2:2019+A11:2022+A1:2022, IEC 62841-4-4:2020+A1:2024, IEC 62841-4-6:2022, ISO 11449:1994, EN ISO 11680-1:2021, EN 61000-6-3:2007+A1:2011, EN 61000-6-1:2016, EN IEC 63000:2018.

SMP Svensk Maskinprovning AB, Box 4053, SE-904 03 Umeå, Sweden виконали добровільну сертифікацію на відповідність вимогам згідно з Додатком IX до Директиви 2006/42/EC. Номер сертифіката: SEC/24/2593.

Уповноважений орган: Крім того, компанія SMP Svensk Maskinprovning AB, затвердила відповідність додатку V до директиви ради ЄС 2000/14/EC. Номер сертифіката: 01/1610/013.

Відомості стосовно випромінювання шуму див. у розділі *Технічні характеристики на сторінці 156*.

Huskvarna, 2024-02-01

Відповідальний за технічну документацію



Пан Стефан Гольмберг (Stefan Holmberg), директор відділу НДДКР, управління технологіями, Husqvarna AB, Швеція

Содержание

Введение.....	159	Поиск и устранение неисправностей.....	170
Безопасность.....	160	Транспортировка, хранение и утилизация.....	170
Сборка.....	167	Технические данные.....	171
Эксплуатация.....	167	Принадлежности.....	172
Техническое обслуживание.....	169	Декларация о соответствии.....	174

Введение

Назначение

Данный блок питания является отдельным устройством, которое работает только совместно с одобренными насадками. Информацию об

одобренных насадках см. в *Принадлежности на стр. 172*. Обязательно прочитайте данное руководство и руководство по эксплуатации одобренной принадлежности.

Обзор изделия

(Рис. 1)

1. Руководство по эксплуатации
2. Шестигранный ключ на 4 мм
3. Петельная рукоятка
4. Фиксатор
5. Кнопка включения/выключения
6. Кнопка выбора режима скорости
7. Предохранитель нажатия курка
8. Пользовательский интерфейс
9. Курок
10. Зарядное устройство аккумулятора (принадлежность)
11. Индикатор зарядки и ошибки на зарядном устройстве
12. Кнопки извлечения аккумулятора
13. Аккумулятор (принадлежность)
14. Светодиодный индикатор состояния заряда
15. Предупреждающий светодиодный индикатор
16. Кнопка-индикатор аккумулятора
17. Муфта для насадки

по эксплуатации и убедитесь, что понимаете приведенные здесь инструкции.

(Рис. 3) Перед техническим обслуживанием отсоедините аккумулятор.

(Рис. 4) Номинальное напряжение, В

(Рис. 5) Постоянный ток.

(Рис. 6) Изделие соответствует действующим директивам ЕС.

(Рис. 7) Обозначения на изделии или его упаковке указывают на то, что данное изделие нельзя утилизировать вместе с бытовыми отходами. Изделие подлежит утилизации на соответствующем предприятии по переработке отходов.

(Рис. 8) Данное изделие имеет защиту от брызг воды.

Примечание: Внешний вид аккумулятора и зарядного устройства может отличаться в зависимости от модели.

Символы на изделии

(Рис. 2)

ПРЕДУПРЕЖДЕНИЕ! Данное изделие может представлять опасность! Небрежная или неправильная эксплуатация может привести к серьезной или смертельной травме оператора или других лиц. Крайне важно внимательно прочитать и понять руководство по эксплуатации. Перед началом эксплуатации изделия внимательно прочитайте руководство

ууууwxxxx

На паспортной табличке указан серийный номер. **уууу** означает год производства, **ww** — производственную неделю, а **xxxx** — порядковый номер.

Примечание: Остальные символы/наклейки на изделии отвечают требованиям, предъявляемым к сертификации в других коммерческих зонах.

Производитель

Husqvarna AB

Повреждение изделия

Мы не несем ответственности за повреждение изделия в следующих случаях:

- ненадлежащий ремонт изделия;
- использование для ремонта изделия неоригинальных деталей или деталей, не одобренных производителем;
- использование неоригинальных дополнительных принадлежностей или принадлежностей, не одобренных производителем;

- ремонт изделия в неавторизованном сервисном центре или неквалифицированным специалистом.

Поддержка

Для получения поддержки по изделию перейдите в раздел "Поддержка" на сайте, где доступны инструкции, руководства по устранению неисправностей, или воспользуйтесь базой знаний Husqvarna и онлайн-помощником (если они доступны на вашем рынке). Для получения дополнительной поддержки по изделию обратитесь в сервисный центр Husqvarna.

Безопасность

Инструкции по технике безопасности

Предупреждения, предостережения и примечания используются для выделения особо важных пунктов руководства.



ПРЕДУПРЕЖДЕНИЕ:

Используется, когда несоблюдение инструкций руководства может привести к травмам или смерти оператора или находящихся рядом посторонних лиц.



ВНИМАНИЕ: Используется, когда несоблюдение инструкций руководства может привести к повреждению изделия, других материалов или прилегающей территории.

Примечание: Используется для предоставления дополнительных сведений о конкретной ситуации.

Общие меры предосторожности при работе с электроинструментом



ПРЕДУПРЕЖДЕНИЕ:

Обязательно ознакомьтесь с руководством по эксплуатации одобренной насадки наряду с данным руководством по эксплуатации.



ПРЕДУПРЕЖДЕНИЕ:

Ознакомьтесь со всеми предупреждениями, инструкциями, иллюстрациями и положениями, касающимися техники безопасности и прилагаемыми к данному электроинструменту. Несоблюдение всех указанных ниже инструкций может

привести к поражению электрическим током, пожару и/или тяжелым травмам.

Примечание: Сохраните все предупреждающие указания и инструкции для последующего обращения. Под словом "электроинструмент" в данном документе понимается электрический инструмент, работающий от сети (проводной) либо от аккумулятора (беспроводной).

Техника безопасности на рабочем месте

- Рабочее место должно содержаться в чистоте и быть хорошо освещено. Загромождения или ненадлежащее освещение могут стать причиной несчастных случаев.
- Не используйте изделия во взрывоопасной среде, например в присутствии легковоспламеняющихся жидкостей, газов или пыли. Изделия производят искры, которые могут воспламенить пыль или пары.
- Не позволяйте детям и посторонним лицам приближаться к вам во время использования изделия. Это может отвлечь ваше внимание и привести к потере управления.

Электрическая безопасность

- Вилка изделия должна соответствовать электрической розетке. Запрещается вносить изменения в конструкцию вилки. Запрещается использовать переходники с заземленными изделиями. Отсутствие изменений в конструкции вилок и их соответствие розеткам снижает риск поражения электрическим током.
- Избегайте контакта любых частей тела с заземленными поверхностями, такими как трубы, радиаторы, плиты и холодильники. Заземление тела увеличивает риск поражения электрическим током.

- **Не подвергайте изделия воздействию воды или высокой влажности.** Попадание воды в изделие повышает риск поражения электрическим током.
- **Используйте шнур только по прямому назначению.** Никогда не носите и не тяните изделие за шнур и не дергайте за него при извлечении вилки из розетки. **Держите шнур вдали от источников тепла, масла, острых углов или движущихся деталей.** Эксплуатация поврежденного или слутанного шнура увеличивает риск поражения электрическим током
- **При работе с изделием вне помещения используйте специальный удлинительный шнур для уличного применения.** Использование шнура, предназначенного для уличного применения, снижает риск поражения электрическим током.
- **Если работа с изделием во влажной среде неизбежна, используйте источник питания, оснащенный устройством защитного отключения (УЗО).** Использование УЗО снижает риск поражения электрическим током.

Личная безопасность

- **При работе с изделием будьте бдительны, следите за своими действиями и руководствуйтесь здравым смыслом.** Не используйте изделие, если вы устали или находитесь под воздействием наркотических средств, алкоголя или лекарств. Малейшая невнимательность при работе с изделиями может обернуться серьезными травмами.
- **Пользуйтесь средствами индивидуальной защиты. Всегда носите защитные очки.** Средства индивидуальной защиты, такие как респиратор, нескользящая защитная обувь, каска или средства защиты органов слуха, существенно снижают риск получения травм.
- **Примите меры по предотвращению случайного запуска. Перед подключением изделия к источнику питания и/или аккумуляторному блоку, его подъемом или переноской убедитесь, что переключатель находится в положении выключения.** Не переносите изделия, держа палец на переключателе, а также не подавайте питание на изделия с включенным переключателем, т. к. это может привести к несчастному случаю.
- **Перед включением изделия уберите все регулировочные и гаечные ключи.** Ключ, оставленный на вращающейся части изделия, может стать причиной травмы.
- **Не вытягивайте руки с изделием слишком далеко. Сохраняйте равновесие и устойчивое положение ног.** Благодаря этому вы сможете лучше контролировать изделие в непредвиденных ситуациях.
- **Надевайте соответствующую одежду. Не надевайте свободную одежду и украшения. Не допускайте попадания волос и одежды в**

движущиеся части изделия. Свободная одежда, украшения и длинные волосы могут попасть в движущиеся части.

- **Если инструмент может дополнительно оснащаться устройствами для сбора и удаления пыли, убедитесь, что они подключаются и используются надлежащим образом.** Такие устройства способствуют снижению опасности, связанных с наличием пыли.
- **Не допускайте, чтобы чувство уверенности, приобретенное вследствие частой работы с изделиями, позволило вам забыть об опасностях и игнорировать принципы обеспечения безопасности.** Неосторожные действия могут привести к тяжелой травме за долю секунды.

Эксплуатация и обслуживание изделия

- **Не перегружайте изделие. Убедитесь, что изделие подходит для выполнения конкретной задачи.** Правильно выбранное изделие лучше и надежнее справится с задачей, соответствующей его конструктивным характеристикам.
- **Не пользуйтесь изделием, если его переключатель не работает.** Если управление изделием с помощью переключателя невозможно, такое изделие представляет опасность и подлежит обязательному ремонту.
- **Прежде чем производить регулировки на изделии, заменять принадлежности или убирать его на хранение, отключите изделие от источника питания и/или снимите аккумуляторный блок (если снимается).** Эти меры предосторожности позволяют исключить риск случайного запуска изделия.
- **Храните неиспользуемые изделия в недоступном для детей месте и не позволяйте работать с изделиями лицам, не ознакомленным с ними и с данными инструкциями по эксплуатации.** В руках неопытных пользователей изделия являются источником опасности.
- **Выполняйте обслуживание изделий и принадлежностей. Проверяйте точность регулировки и отсутствие заеданий движущихся частей, отсутствие поломанных деталей и иных неисправностей, которые могут нарушить работу изделия. При наличии повреждений выполните необходимый ремонт, прежде чем использовать изделие.** Причиной многих несчастных случаев является ненадлежащее техническое обслуживание изделий.
- **Поддерживайте остроту и чистоту режущих инструментов.** Исправное режущее оборудование с острыми режущими кромками меньше подвержено поломкам и проще в управлении.
- **Используйте изделие, принадлежности, наконечники и т. д. в соответствии с данными инструкциями, принимая во внимание условия работы и специфику выполняемой задачи.**

Использование изделия не по назначению может привести к опасным ситуациям.

- **Рукоятки и поверхности захвата должны быть сухими и чистыми, без следов масла и смазки.** Скользкие рукоятки и поверхности захвата не обеспечивают надежного управления и контроля за изделием в непредвиденных ситуациях.

Эксплуатация и обслуживание аккумуляторного изделия

- **Выполняйте зарядку только с помощью зарядного устройства, указанного производителем.** Зарядное устройство, подходящее для одного типа аккумуляторного блока, может создать опасность возгорания при использовании с аккумуляторным блоком другого типа.
- **Используйте изделие только с совместимыми аккумуляторными блоками.** Использование других аккумуляторных блоков может создать опасность травмы или возгорания.
- **Когда аккумуляторный блок не используется, храните его вдали от металлических предметов, таких как скрепки, монеты, ключи, гвозди, винты или иные мелкие предметы, которые могут замкнуть клеммы аккумулятора.** Замыкание клемм аккумулятора может привести к ожогам или пожару.
- **При неправильном обращении из аккумулятора может вытечь жидкость; избегайте контакта с вытекшей жидкостью.** При случайном контакте промойте место соприкосновения водой. При попадании жидкости в глаза обратитесь за медицинской помощью. Вытекшая из аккумулятора жидкость может привести к раздражению или ожогу.
- **Запрещается использовать аккумуляторный блок или изделие, если они повреждены или модифицированы.** Поврежденные или подвергнутые модификации аккумуляторы могут работать неправильно, что приведет к возникновению пожара, взрыва или риску получения травм.
- **Не подвергайте аккумуляторный блок или изделие воздействию огня или чрезмерно высоких температур.** Воздействие огня или температуры выше 130 °C (265 °F) может привести к взрыву.
- **Точно следуйте всем инструкциям по зарядке и ни в коем случае не заряжайте аккумуляторный блок или изделие при температуре, выходящей за пределы указанного в инструкциях диапазона.** Ненадлежащая зарядка или зарядка при температуре выше или ниже указанного диапазона может привести к повреждению аккумулятора и повышенному риску пожара.

Сервисное обслуживание

- **Обслуживание изделия должны выполнять квалифицированные специалисты по ремонту**

оборудования с использованием только идентичных запчастей. Благодаря этому безопасность изделия сохраняется на надлежащем уровне.

- **Никогда не выполняйте обслуживание поврежденных аккумуляторных блоков.** Обслуживание аккумуляторных блоков должно выполняться только производителем или специалистами авторизованных сервисных центров.

Прочие правила техники безопасности

- Отключите изделие, прежде чем переносить его. Перед передачей изделия другому лицу всегда извлекайте аккумулятор.
- Кладите изделие на землю только после его отключения и извлечения аккумулятора. Ни в коем случае не оставляется включенное изделие без присмотра.
- После отключения изделия режущий инструмент останавливается не сразу.
- Перед началом эксплуатации изделия, а также после каких-либо нагрузок необходимо проверить его на наличие признаков износа или повреждений и при необходимости выполнить ремонт.
- Если в ходе эксплуатации изделия в режущем оборудовании застревает посторонний предмет, остановите и отключите изделие. Убедитесь, что режущее оборудование полностью остановилось. Перед проведением очистки, осмотра или ремонта изделия и/или режущего оборудования извлеките аккумулятор.
- Перед началом эксплуатации проверьте изделие. См. разделы *Защитные устройства на изделии на стр. 164* и *Техническое обслуживание на стр. 169*. Не используйте поврежденное изделие. Проверьте состояние защитных устройств и проводите техобслуживание в соответствии с инструкциями настоящего руководства.
- Неисправное режущее оборудование увеличивает риск несчастных случаев.
- Проверьте редуктор на наличие загрязнений и трещин. Очистите редуктор от травы и листьев с помощью щетки. При необходимости наденьте перчатки.
- Вентиляционные отверстия ни в коем случае не должны быть засорены.
- Убедитесь, что триммерная головка надежно установлена на травкосилку.
- Перед началом работы необходимо установить все крышки, защитные кожухи и рукоятки.
- Убедитесь, что изделие находится в надлежащем рабочем состоянии. Проверьте надежность затяжки всех гаек и винтов.
- Проверьте триммерную головку и кожух на наличие повреждений и трещин. При наличии трещин или в случае удара триммерной головки или кожуха их необходимо заменить.

Всегда пользуйтесь рекомендуемой защитой для каждого типа режущего оборудования. См. раздел *Технические данные на стр. 171*.

- Изделие представляет опасность при небрежном или неправильном обращении. Изделие может стать причиной тяжелой травмы или смерти оператора и окружающих.
- Данное оборудование не предназначено для использования лицами (включая детей) с ограниченными физическими, сенсорными или умственными способностями, а также лицами с недостаточным опытом или знаниями. Данные лица могут работать с оборудованием только под присмотром людей, отвечающих за их безопасность, и после прохождения соответствующего инструктажа. Необходимо следить за тем, чтобы дети не играли с оборудованием.
- Никогда не позволяйте детям пользоваться изделием или находиться рядом с ним. Поскольку изделие легко запустить, это могут сделать дети, находящиеся без должного присмотра. Это создает риск получения тяжелых травм. Поэтому необходимо отсоединять аккумулятор, когда изделие остается без присмотра.
- Ни при каких обстоятельствах не позволяйте детям или иным лицам, не знакомым с правилами эксплуатации изделия и/или аккумулятора, работать с этим изделием или выполнять его техобслуживание.
- Храните оборудование в запираемом помещении, недоступном для детей и посторонних.
- Во время хранения и транспортировки всегда используйте чехол для транспортировки.
- Все время держите руки и ноги на безопасном расстоянии от зоны резки, особенно при включении двигателя.
- Не приближайте руки и ноги к режущему оборудованию, пока оно полностью не остановится после отключения изделия.
- Ни пользователь, ни другие лица не должны пытаться убирать срезанный материал при работающем изделии или вращающемся режущем оборудовании, т. к. это может привести к серьезным травмам.
- Помните, что именно вы — оператор — в случае аварии или непредвиденных обстоятельств несете ответственность за причинение вреда людям или ущербу их собственности.
- Ни при каких обстоятельствах не допускаются изменения в конструкции изделия без разрешения производителя. Использование только оригинальных принадлежностей. Внесение не одобренных изменений и/или использование неразрешенных принадлежностей может привести к тяжелой травме или смерти оператора или других лиц. Гарантия может не покрывать ущерб, возникший по причине

использования неразрешенных принадлежностей или сменных деталей.

- Единственными принадлежностями, которые могут использоваться вместе с данным изделием, являются компоненты режущего оборудования, рекомендованные в разделе "Принадлежности". См. раздел *Принадлежности на стр. 172*.
- Запрещается пользоваться изделием, в конструкцию которого внесены какие-либо изменения.
- Запрещается пользоваться изделием при наличии неисправностей. Регулярно проверяйте состояние защитных приспособлений и проводите техобслуживание в соответствии с инструкциями настоящего руководства. Определенные работы по ремонту и обслуживанию должны выполняться обученными и квалифицированными специалистами. См. инструкции в разделе "Техническое обслуживание".
- Работа в плохую погоду сильно утомляет и часто создает дополнительные риски. В связи с возникающими дополнительными рисками не рекомендуется использовать изделие при неблагоприятных погодных условиях, например, в условиях плотного тумана, сильного дождя, порывистого ветра, низких температур, риска удара молнии и т. д.
- Ни в коем случае не работайте стоя на лестнице, стуле или любом другом незакрепленном предмете.
- Хранение оборудования в помещении — изделие, которое не используется в данный момент, следует хранить в помещении.
- Невозможно предвидеть все ситуации, с которыми вы можете столкнуться. Всегда соблюдайте осторожность и руководствуйтесь здравым смыслом. Не выполняйте работу, если вам кажется, что уровень вашей квалификации недостаточен. Если после изучения руководства у вас остались вопросы касательно эксплуатации изделия, прежде чем приступить к работе обратитесь за консультацией к специалисту.
- Следите за тем, чтобы во время работы в радиусе 15 м (50 футов) от изделия не было людей и животных. Когда на одном участке одновременно работают несколько операторов, между ними должно поддерживаться безопасное расстояние не менее 15 м (50 футов). В противном случае существует риск получения серьезных травм. Если кто-нибудь подойдет ближе, немедленно остановите изделие. Никогда не поворачивайтесь с изделием, не посмотрев сначала назад и не убедившись, что в зоне риска никого нет.
- Следите за тем, чтобы люди, животные и посторонние предметы не могли помешать вам управлять изделием, а также исключить возможность их контакта с режущим

оборудованием и предметами, отбрасываемыми режущим оборудованием. Использовать изделие в ситуации, в которой вы не сможете позвать на помощь при несчастном случае, запрещено.

- Убедитесь, что вы можете двигаться и стоять безопасно. Проверьте, нет ли вокруг вас возможных помех и препятствий (корней, камней, веток, ям и т.д.), на случай, если вам вдруг будет нужно быстро переместиться. Будьте особенно внимательны при работе на склонах.
- Во время эксплуатации изделия следует идти, ни в коем случае не бежать.
- Осмотрите рабочую зону. Уберите все свободно лежащие предметы, например, камни, разбитое стекло, гвозди, стальную проволоку, веревки и прочее, поскольку они могут быть отброшены или намотаны на режущее оборудование или его щиток.
- При работе следите за обрубками веток, которые могут быть отброшены в вашу сторону. Запрещается выполнять стрижку слишком близко к земле, поскольку при этом в вашу сторону могут быть отброшены камни и другие предметы.
- Следите за тем, чтобы при включении изделия одежда или части тела не соприкасались с режущим оборудованием. Держите изделие ниже пояса.
- Остерегайтесь отбрасываемых предметов. Всегда пользуйтесь рекомендованными средствами защиты глаз. Никогда не наклоняйтесь над кожухом режущего оборудования. Камни, мусор и прочее могут попасть в глаза и привести к слепоте или тяжелым травмам.
- Когда на вас надеты защитные наушники, прислушивайтесь к сигналам тревоги или крикам. Всегда снимайте наушники сразу после остановки изделия.
- При возникновении излишней вибрации увеличьте длину режущей лески до необходимого значения постукиванием головки триммера о землю; вибрация должна исчезнуть.
- В случае необычной вибрации изделия остановите его и извлеките аккумулятор.
- Длительное воздействие вибрации может привести к нарушению кровообращения или расстройствам нервной системы у людей с нарушенным кровообращением. В случае появления симптомов перегрузки от вибрации следует обратиться к врачу. К таким симптомам относятся онемение, потеря чувствительности, ощущение щекотки и покалывания, боли, потеря силы или слабость, изменение цвета или состояния кожи. Как правило, подобные симптомы проявляются в пальцах, руках или запястьях.
- Всегда удерживайте изделие обеими руками. Держите изделие с правой стороны от себя.

Средства индивидуальной защиты



ПРЕДУПРЕЖДЕНИЕ: В обязательном порядке прочитайте следующие инструкции по технике безопасности, прежде чем приступать к эксплуатации изделия.

- Каждый раз при работе с изделием следует использовать одобренные средства индивидуальной защиты. Средства индивидуальной защиты не могут полностью исключить риск получения травмы, но при несчастном случае они снижают тяжесть травмы. За помощью по правильному выбору оборудования обращайтесь к дилеру.
- Используйте защитный шлем в тех случаях, когда существует вероятность падения предметов.
- Следует пользоваться одобренными защитными наушниками с достаточным уровнем подавления шума. Продолжительное воздействие шума может повлечь неизлечимое ухудшение слуха.
- Используйте одобренные средства защиты глаз. При использовании защитной маски следует пользоваться также одобренными защитными очками. Под одобренными защитными очками подразумеваются очки, отвечающие требованиям стандарта ANSI Z87.1 для США или EN 166 для стран ЕС.
- Используйте маску для защиты лица. Для защиты глаз недостаточно использовать маску.

(Рис. 9)

- При необходимости надевайте перчатки, например, при закреплении, проверке или очистке режущего оборудования.
- Надевайте прочную обувь с нескользящей подошвой.
- Надевайте одежду из прочного материала. Всегда надевайте длинные прочные брюки и верхнюю одежду с длинными рукавами. Запрещается надевать свободную одежду, которая может зацепиться за ветви или кустарник. Не надевайте ювелирные украшения, шорты, сандалии и не ходите босиком. Зафиксируйте волосы выше уровня плеч.

(Рис. 10)

- Средства оказания первой помощи всегда должны быть под рукой.

(Рис. 11)

Защитные устройства на изделии



ПРЕДУПРЕЖДЕНИЕ: В обязательном порядке прочитайте следующие инструкции по технике безопасности, прежде чем приступать к эксплуатации изделия.

В данном разделе рассматриваются защитные приспособления изделия и их назначение, а также приводятся проверки и процедуры технического обслуживания, которые необходимо проводить для обеспечения правильной работы изделия. См. раздел *Введение на стр. 159*, где описано расположение этих компонентов на изделии.

Срок службы изделия может быть сокращен, а риск несчастных случаев увеличен, если техническое обслуживание изделия не проводится надлежащим образом, а сервис и/или ремонт выполняются непрофессионалами. Дополнительную информацию можно получить в ближайшем сервисном центре.



ПРЕДУПРЕЖДЕНИЕ: Ни в коем случае не пользуйтесь изделием с поврежденными защитными приспособлениями. Техобслуживание и проверка защитных приспособлений должны выполняться в соответствии с инструкциями в данном разделе. Если в рамках этих проверок обнаружены неисправности изделия, обратитесь в сервисный центр для проведения ремонта.



ВНИМАНИЕ: Для обслуживания и ремонта изделия требуется специальная подготовка. Это в частности относится к защитным приспособлениям изделия. Если одна или несколько проверок, описанных ниже, не пройдены, обратитесь в сервисный центр. При приобретении любой нашей продукции вы получаете доступ к профессиональной помощи по ремонту и обслуживанию. Если изделие было приобретено у дилера, не имеющего сервисного центра, узнайте у дилера адрес ближайшего сервисного центра.

Проверка пользовательского интерфейса

- Нажмите и удерживайте нажатой кнопку включения/выключения (A). (Рис. 12)
 - Изделие включено, когда включается дисплей (B).
 - Изделие выключено, когда дисплей не горит.
- Если на дисплее загорается или мигает предупреждающий индикатор, см. раздел *Кнопочная панель на стр. 170*.

Проверка предохранителя нажатия курка

Предохранитель нажатия курка препятствует случайному срабатыванию изделия. Чтобы разблокировать курок (C), переместите предохранитель вперед (A), а затем прижмите предохранитель к рукоятке (B). При отпуске рукоятки курок и предохранитель его нажатия

возвращаются в исходное положение. Это перемещение осуществляется тремя независимыми пружинами. (Рис. 13)

- Убедитесь, что курок заблокирован, когда предохранитель находится в исходном положении. (Рис. 14)
- Переместите предохранитель нажатия курка вперед (A) и вниз. Прижмите предохранитель нажатия курка к рукоятке (B) и убедитесь, что он возвращается в исходное положение при отпуске. (Рис. 15)
- Убедитесь, что предохранитель нажатия курка и сам курок свободно перемещаются, а возвратные пружины работают надлежащим образом. (Рис. 16)
- Нажмите кнопку включения/выключения, чтобы включить изделие.
- Нажмите на курок до упора для работы на полных оборотах.
- Отпустите курок и убедитесь, что режущее оборудование останавливается и остается неподвижным.

Инструкции по технике безопасности во время сборки



ПРЕДУПРЕЖДЕНИЕ: Изучите данное руководство по эксплуатации блока питания, а также руководство по эксплуатации одобренной принадлежности.

- Перед сборкой изделия извлеките из него аккумулятор.
- Используйте одобренные защитные перчатки.
- Поврежденный или неподходящий кожух может стать причиной травмы. Запрещается использовать режущее оборудование без установленного одобренного кожуха.
- Перед запуском изделия проверьте правильность установки кожуха и штанги.
- Если вместе с оборудованием поставляется оснастка, она должна быть надлежащим образом прикреплена к изделию. Оснастка обеспечивает безопасность работы и предотвращает травмирование оператора и других людей.

Техника безопасности при работе с аккумулятором



ПРЕДУПРЕЖДЕНИЕ: В обязательном порядке прочитайте следующие инструкции по технике безопасности, прежде чем приступить к эксплуатации изделия.

- Используйте только одобренные аккумуляторы Husqvarna. См. раздел *Рекомендованные аккумуляторы на стр. 172*. Для аккумуляторов используется программное обеспечение с криптографической защитой.
- Используйте одобренные аккумуляторы Husqvarna только с теми изделиями Husqvarna, для которых они предназначены. Во избежание травм запрещается использовать аккумулятор в качестве источника питания для других устройств.
- Риск поражения электрическим током. Не допускайте контакта клемм аккумулятора с ключами, монетами, винтами или другими металлическими предметами. Это может привести к короткому замыканию аккумулятора.
- Запрещается использовать одноразовые аккумуляторы.
- Не размещайте посторонние предметы на воздухозаборниках аккумулятора.
- Аккумулятор не должен подвергаться воздействию солнечного света, тепла или открытого пламени. Аккумулятор может стать причиной ожогов, в том числе химических.
- Защищайте аккумулятор от дождя и сырости.
- Не подвергайте аккумулятор воздействию микроволн и высокого давления.
- Не пытайтесь разбирать или ломать аккумулятор.
- При возникновении утечки из аккумулятора не допускайте попадания жидкости на кожу или в глаза. В случае контакта с жидкостью промойте участок контакта большим количеством воды с мылом и обратитесь за медицинской помощью. При попадании жидкости в глаза нельзя их тереть. Необходимо промыть глаза обильным количеством воды на протяжении не менее 15 минут, а затем обратиться за медицинской помощью.
- Используйте аккумулятор при температуре в диапазоне от -10 до 40 °C (от 14 до 114 °F).
- Очистка аккумулятора или зарядного устройства водой запрещена. См. раздел *Очистка изделия, аккумулятора и зарядного устройства на стр. 170*.
- Не используйте аккумулятор, если он поврежден или работает неправильно.
- Храните аккумуляторы вдали от металлических предметов, таких как гвозди, винты или ювелирные изделия.
- Храните аккумулятор в недоступном для детей месте.

безопасности, прежде чем приступать к эксплуатации изделия.

- Риск поражения электрическим током или короткого замыкания в случае несоблюдения инструкций по технике безопасности.
- Используйте только то зарядное устройство, которое входит в комплект поставки изделия. Используйте только одобренные зарядные устройства Husqvarna для зарядки одобренных аккумуляторов Husqvarna. Инструкции см. в разделе *Технические данные на стр. 171*.
- Не пытайтесь разбирать зарядное устройство.
- Не используйте зарядное устройство, если оно повреждено или работает неправильно.
- Не поднимайте зарядное устройство за шнур питания. Для отсоединения зарядного устройства от сетевой розетки потяните за вилку. Не тяните за шнур питания.
- Кабели и удлинители не должны контактировать с водой, маслом и острыми краями. Убедитесь, что кабель не застрял в прелествии, например, в двери, заборе и т.д.
- Запрещается использовать зарядное устройство вблизи легковоспламеняющихся материалов и материалов, которые вызывают коррозию. Убедитесь, что зарядное устройство ничем не накрыто. В случае появления дыма или огня извлеките вилку зарядного устройства из розетки.
- Заряжайте аккумулятор только в хорошо проветриваемом помещении вдали от солнечных лучей. Запрещается заряжать аккумулятор вне помещения. Запрещается заряжать аккумулятор в условиях высокой влажности.
- Используйте зарядное устройство только при температуре в диапазоне от 5 до 40 °C (от 41 до 104 °F). Используйте зарядное устройство в хорошо проветриваемых сухих помещениях, защищенных от пыли.
- Не вставляйте посторонние предметы в воздухозаборники зарядного устройства, предназначенные для его охлаждения.
- Не подсоединяйте металлические предметы к клеммам зарядного устройства, т.к. это может привести к короткому замыканию зарядного устройства.
- Используйте одобренные сетевые розетки, которые находятся в исправном состоянии. Убедитесь, что шнур зарядного устройства не поврежден. В случае использования удлинительных кабелей следите за их целостностью.

Техника безопасности при работе с зарядным устройством для аккумулятора



ПРЕДУПРЕЖДЕНИЕ: В обязательном порядке прочитайте следующие инструкции по технике

Инструкции по технике безопасности во время технического обслуживания



ПРЕДУПРЕЖДЕНИЕ: В обязательном порядке прочитайте следующие инструкции по технике безопасности, прежде чем приступить к техобслуживанию изделия.

- Перед сборкой изделия, проведением техобслуживания или иных проверок извлекайте из него аккумулятор.
- Оператор может выполнять только те работы по техническому и сервисному обслуживанию, которые описаны в данном руководстве по эксплуатации. Для проведения более сложных работ по техническому и сервисному обслуживанию обращайтесь к своему дилеру по обслуживанию.
- Очистка аккумулятора или зарядного устройства водой запрещена. Использование сильного моющего средства может повредить пластмассу.
- При невыполнении работ по техобслуживанию срок службы изделия сокращается, а риск возникновения несчастных случаев увеличивается.
- Для выполнения любых работ по сервисному обслуживанию и ремонту, особенно защитных приспособлений изделия, необходимо пройти специальное обучение. Если после выполнения обслуживания при проведении проверок были выявлены неисправности, обратитесь к своему дилеру по обслуживанию. Мы гарантируем, что ремонт и обслуживание вашего изделия будут выполнять квалифицированные профессионалы.
- Используйте только оригинальные запчасти.
- При ремонте режущего оборудования в обязательном порядке надевайте высокопрочные перчатки. Ножи очень острые, они могут легко нанести раны.

Сборка

Сборка петельной рукоятки

1. Закрепите петельную рукоятку на штанге между стрелками. Не размещайте петельную рукоятку или подвесное кольцо на табличке. (Рис. 17)
2. Вставьте прокладку в выемку в петельной рукоятке.
3. Установите гайку, ручку и винт, не затягивайте их слишком сильно.
4. Отрегулируйте положение рукоятки, чтобы вам было комфортно пользоваться изделием.
5. Затяните болт.

Сборка двухсекционной штанги

1. Поверните ручку, чтобы ослабить соединительную муфту. (Рис. 18)
2. Совместите выступ (А) со стрелкой (В) на соединительной муфте. (Рис. 19)
3. Вставьте штангу в соединительную муфту до щелчка. (Рис. 20)
4. Затяните ручку до упора. (Рис. 21)

Разборка двухсекционной штанги

1. Поверните ручку на 3 оборота или более, чтобы ослабить соединительную муфту. (Рис. 22)
2. Нажмите и удерживайте кнопку (С).
3. Крепко удерживайте конец штанги, к которому крепится двигатель.
4. Вытащите насадку из муфты. (Рис. 23)

Установка подвесного кольца (если применимо)

1. Установите подвесное кольцо между стрелками на задней ручке и петельной рукоятке. (Рис. 24)

Примечание: Не размещайте петельную рукоятку на наклейке.

2. Отрегулируйте кольцо для обеспечения балансировки изделия и удобства его использования.

Эксплуатация

Введение



ПРЕДУПРЕЖДЕНИЕ: Перед эксплуатацией изделия внимательно изучите раздел техники безопасности.

Husqvarna Connect

Husqvarna Connect представляет собой бесплатное приложение для мобильного устройства. Приложение Husqvarna Connect позволяет пользоваться расширенными функциями вашего изделия Husqvarna.

- Дополнительная информация об изделии.

- Сведения о деталях и помощь в техническом обслуживании.

Начало работы с Husqvarna Connect

1. Загрузите приложение Husqvarna Connect на свое мобильное устройство.
2. Зарегистрируйтесь в приложении Husqvarna Connect.
3. Выполните пошаговые инструкции в приложении Husqvarna Connect для подключения и регистрации агрегата.

Примечание: Приложение Husqvarna Connect доступно для загрузки не на всех рынках. Для получения более подробной информации обратитесь в свой сервисный центр.

Подключение аккумулятора к изделию



ПРЕДУПРЕЖДЕНИЕ:

Используйте с данным изделием только оригинальные аккумуляторы Husqvarna.

1. Убедитесь, что аккумулятор полностью заряжен.
2. Вставьте аккумулятор в держатель аккумулятора на изделии. При фиксации аккумулятора на месте слышится щелчок. (Рис. 25)



ВНИМАНИЕ: Если аккумулятор не вставляется в держатель без усилий, аккумулятор установлен неправильно. Это может привести к повреждению изделия.

3. Убедитесь, что аккумулятор установлен правильно.

Зарядка аккумулятора

Примечание: Зарядите аккумулятор, если он используется в первый раз. Уровень заряда нового аккумулятора составляет 30%.

1. Убедитесь, что аккумулятор сухой.
2. Вставьте аккумулятор в зарядное устройство. (Рис. 26)

Примечание: Внешний вид аккумулятора и зарядного устройства может отличаться в зависимости от модели, но процедура одинакова.

3. Убедитесь, что на зарядном устройстве загорается зеленый индикатор зарядки. Это означает, что аккумулятор правильно подсоединен к зарядному устройству.
4. Когда на аккумуляторе загорятся все светодиоды, он полностью заряжен. (Рис. 27)

5. Для отсоединения зарядного устройства от сетевой розетки потяните за вилку. Не тяните за сам кабель.
6. Извлеките аккумулятор из зарядного устройства.

Примечание: Дополнительную информацию см. в руководствах по эксплуатации аккумулятора и зарядного устройства.

Рабочее положение

- Держите изделие обеими руками.
- Держите изделие с правой стороны от тела.
- Режущее оборудование должно находиться ниже пояса.
- Не приближайте части тела к горячим поверхностям.
- Не приближайте части тела к режущему оборудованию.

Перед началом эксплуатации изделия

- Проверьте рабочую зону, тип участка, наклон рельефа, наличие посторонних предметов, например, камней, веток и ям.
- Проведите тщательный осмотр изделия.
- Проведите проверку безопасности и процедуры технического и сервисного обслуживания, приведенные в данном руководстве.
- Проверьте правильность установки и целостность всех кожухов, щитков, рукояток и принадлежностей.

Запуск изделия

1. Нажмите и удерживайте нажатой кнопку включения/выключения, пока не загорится зеленый светодиодный индикатор. (Рис. 28)
2. Используйте курок для управления скоростью.

Ограничение максимальной скорости с помощью кнопки выбора режима

Изделие имеет кнопку выбора режима. С помощью кнопки выбора режима оператор может ограничить максимальную скорость. Кнопка выбора режима позволяет переключаться между 3 уровнями скорости. Более низкий уровень увеличивает время работы изделия. Кнопка выбора режима позволяет переключаться между 3 уровнями скорости. Более низкий уровень увеличивает время работы изделия. Используйте уровень 1 и уровень 2, если для работы не требуется максимальная скорость/полная мощность. Если условия работы требуют использования максимальной скорости/полной мощности, выберите уровень 3. Не используйте уровень выше, чем необходимо для выполнения работы.

1. Нажмите кнопку выбора режима, чтобы установить ограничение максимальной скорости. При активации данной функции загорается белый светодиодный индикатор. (Рис. 29)
2. Нажмите кнопку выбора режима еще раз, чтобы выбрать следующий уровень скорости.

Функция автоматической остановки

Изделие оснащено функцией автоматического выключения, которая выключает его, если изделие не используется в течение 3 минут.

Выключение изделия

1. Отпустите курок или предохранитель нажатия курка.
2. Нажмите кнопку включения/выключения. (Рис. 30)
3. Нажмите кнопки извлечения аккумулятора и снимите аккумулятор с изделия. (Рис. 31)

Техническое обслуживание

Введение



ПРЕДУПРЕЖДЕНИЕ: Перед выполнением обслуживания прибора необходимо ознакомиться и понять раздел безопасности.

График технического обслуживания



ПРЕДУПРЕЖДЕНИЕ: Перед проведением технического обслуживания извлеките аккумулятор.

Ниже приведен перечень обязательных работ по техническому обслуживанию изделия. В дополнение к выполнению работ по графику технического обслуживания, приведенному в данном руководстве, регулярно обращайтесь в сервисный центр Husqvarna для проведения необходимого техобслуживания изделия. Для получения информации об интервалах технического обслуживания обратитесь в сервисный центр Husqvarna.

Техническое обслуживание	Еже-дневно	Еже-недельно	Еже-месячно
Очистите внешние детали изделия сухой тряпкой. Не используйте воду.	X		
Проверьте исправность и отсутствие повреждений кнопки питания.	X		
Убедитесь, что курок и предохранитель нажатия курка работают надлежащим образом.	X		
Убедитесь, что все органы управления исправны и не повреждены.	X		
Рукоятки должны быть сухими и чистыми, без следов масла и смазки.	X		
Проверьте затяжку винтов и гаек.	X		
Убедитесь, что кнопки извлечения аккумулятора исправны и фиксируют аккумулятор в изделии.	X		
Проверьте аккумулятор на наличие повреждений.	X		
Убедитесь, что аккумулятор заряжен.	X		
Проверьте исправность и отсутствие повреждений зарядного устройства аккумулятора.	X		
Осмотрите все провода, муфты и соединения. Проверьте их на наличие повреждений или загрязнений.		X	
Проверьте соединения между аккумулятором и изделием. Проверьте соединение между аккумулятором и зарядным устройством.			X

Очистка изделия, аккумулятора и зарядного устройства

1. После использования очистите изделие сухой тканью.
2. Очистите аккумулятор и зарядное устройство сухой тканью. Направляющие аккумулятора должны быть очищены от грязи.
3. Перед установкой аккумулятора в зарядное устройство или изделие убедитесь, что клеммы аккумулятора и зарядного устройства не загрязнены.

Двухсекционная штанга

Смазывайте конец ведущего вала через каждые 30 часов эксплуатации. Если не смазывать регулярно шлицевое соединение на конце ведущего вала (модели с двухсекционной штангой), существует риск заклинивания.
(Рис. 32)

Поиск и устранение неисправностей

Кнопочная панель

Светодиодный дисплей	Возможные неисправности	Возможные действия
Мигает зеленый светодиодный индикатор активации	Аккумулятор разряжен.	Зарядите аккумулятор.
Мигает красный светодиодный индикатор ошибки	Перегрузка.	Режущее оборудование заклинено. Отключите изделие. Снимите аккумулятор. Очистите режущее оборудование от посторонних материалов.
	Отклонение температуры.	Дайте изделию остыть.
	Переключатель и кнопка пуска нажимаются одновременно.	Отпустите переключатель, и изделие запустится.
Изделие не запускается	Разъемы аккумулятора загрязнены.	Очистите разъемы аккумулятора сжатым воздухом или мягкой щеткой.
Светодиодный индикатор ошибки горит красным светом	Требуется выполнить сервисное обслуживание изделия.	Обратитесь в сервисный центр.

Транспортировка, хранение и утилизация

Транспортировка и хранение

- Входящие в комплект литий-ионные аккумуляторы соответствуют требованиям законодательства в отношении опасных товаров.
- Соблюдайте особые требования к упаковке и маркировке для коммерческих перевозок, в том числе третьими лицами и экспедиторами.
- Перед отправкой/транспортировкой изделия обратитесь к человеку, прошедшему специальную подготовку по работе с опасными материалами. Соблюдайте все применимые государственные нормативы.
- Перед помещением аккумулятора в упаковку заклейте открытые контакты изолентой. Плотно

упакуйте аккумулятор для предотвращения его перемещения.

- Перед хранением или транспортировкой аккумулятор необходимо извлечь из изделия.
- Храните аккумулятор и зарядное устройство в сухом месте, не подверженном воздействию влаги и низких температур.
- Не допускается хранение аккумулятора в местах, где существует риск возникновения статического электричества. Запрещается хранить аккумулятор в металлической коробке.
- Храните аккумулятор при температуре в диапазоне 5–25 °C (41–77 °F), вдали от прямых солнечных лучей.

- Храните зарядное устройство для аккумулятора при температуре в диапазоне 5–45 °C (41–113 °F), вдали от прямых солнечных лучей.
- Используйте зарядное устройство только при температуре окружающей среды в диапазоне 5–40 °C (41–104 °F).
- Перед помещением аккумулятора на длительное хранение зарядите его на 30–50%.
- Храните зарядное устройство в сухом закрытом помещении.
- Храните аккумулятор отдельно от зарядного устройства. Не позволяйте притрагиваться к оборудованию детям и другим лицам, не имеющим соответствующего разрешения. Храните оборудование в месте, которое можно запереть.
- Перед помещением изделия на длительное хранение очистите его от загрязнений и проведите полное обслуживание.
- Во избежание травм или повреждений во время транспортировки и хранения изделия используйте транспортировочный щиток.

- Надежно закрепляйте изделие на время транспортировки.

Утилизация аккумулятора, зарядного устройства и изделия

Символы на изделии или упаковке изделия указывают на то, что изделие запрещается утилизировать как бытовые отходы. Изделие необходимо передать в пункт переработки электрического и электронного оборудования. Это поможет предотвратить отрицательное воздействие на окружающую среду и здоровье людей.

Свяжитесь с местными органами власти, службой по утилизации бытовых отходов или дилером для получения дополнительной информации о том, как направить изделие на вторичную переработку.

Технические данные

Технические данные

	325iLK
Электродвигатель	
Тип двигателя	BLDC (бесщеточный, постоянного тока), 36 В
Частота вращения выходного вала, об/мин	8400
Вес	
Вес (только силовой блок), кг	2,9
Излучение шума ^{89, 90}	
Уровень мощности звука, измеренный, дБ(А)	89–103
Уровень мощности звука, гарантированный, L _{WA} , дБ(А)	90–106
Уровни шума ^{91, 92}	

⁸⁹ Излучение шума в окружающую среду измеряется как мощность звука (LWA) согласно директиве ЕС 2000/14/ЕС. Указанный уровень мощности звука для изделия измерен с оригинальным режущим оборудованием, создающим самый высокий уровень шума. Разница между гарантированной и измеренной мощностью звука заключается в том, что гарантированная мощность звука включает результаты измерений как диапазон и их отклонение для изделий одной и той же модели согласно директиве 2000/14/ЕС.

⁹⁰ Диапазон шума указывает интервал от самого низкого до самого высокого измеренного значения. Указанные данные об уровне звукового давления изделия имеют типичный статистический разброс (стандартное отклонение) 3 дБ(А) и были измерены с оригинальным оборудованием, дающим самый высокий уровень шума.

⁹² Диапазон шума указывает интервал от самого низкого до самого высокого измеренного значения.

	325iLK
Эквивалентный уровень звукового давления на уши оператора, измеренный согласно EN 62841-1, дБ(А):	78–93
Уровни вибрации ^{93, 94}	
Уровни вибрации на рукоятках, измеренные согласно EN 62841-1, м/с ²	1,3–5,5 / 1,1–3,1

Рекомендованные аккумуляторы

Аккумулятор	BLi200	40-B220X
Тип	Литий-ионный	Литий-ионный
Емкость аккумулятора, А·ч	5,2	6,0
Номинальное напряжение, В	36	36
Вес, кг (фунт)	1,3 (2,9)	1,4 (3,1)

Рекомендованные зарядные устройства

Зарядное устройство	QC330	40-C500X
Входное напряжение, В	100–240	100–240
Частота, Гц	50–60	50–60
Мощность, Вт	330	500

Принадлежности

Насадки

Одобрённые насадки	Номер насадки⁹⁵	Группа насадок⁹⁶	Совместимая модель
Насадка-травкосилка BCA850	1	1-10	325iLK
Насадка-воздуходув BA101	11	11-20	325iLK
Насадка-подравниватель кромок газона ECA850	21	21-30	325iLK
Насадка-подравниватель кромок газона ESA850	22	21-30	325iLK

⁹³ Указанные данные об уровне вибрации имеют типичный статистический разброс (стандартное отклонение) 2 м/с². Для сравнения уровней вибрации изделий с аккумулятором и ДВС используйте калькулятор вибрации: <https://www.husqvarna.com/uk/services-solutions/vibration-calculator/>.

⁹⁴ Диапазон шума указывает интервал от самого низкого до самого высокого измеренного значения.

⁹⁵ Это определённый номер одобренной насадки в группе насадок.

⁹⁶ Одобрённые насадки разделены на группы. Каждая группа насадок имеет схожие функции и наклейки.

Одобрённые насадки	Номер насадки⁹⁵	Группа насадок⁹⁶	Совместимая модель
Насадка-ножницы для живой изгороди HA860	32	31-40	325iLK
Насадка-высоторез PAX730	41	41-50	325iLK
Насадка-высоторез PAX1100	42	41-50	325iLK
Насадка-пила PA1100	43	41-50	325iLK
Насадка-щетка SR600-2	51	51-60	325iLK
Насадка-щетинная щетка BR600	52	51-60	325iLK
Насадка-скарификатор DT600	53	51-60	325iLK
Насадка-культиватор CA230	54	51-60	325iLK
Насадка-ресипрокатор RA850	2	1-10	525iLK

⁹⁵ Это определенный номер одобренной насадки в группе насадок.

⁹⁶ Одобрённые насадки разделены на группы. Каждая группа насадок имеет схожие функции и наклейки.

Декларация о соответствии

Декларация соответствия ЕС

Мы, компания **Husqvarna AB**, SE-561 82
Husqvarna, Швеция, тел.: +46-36-146500, с полной
ответственностью заявляем, что изделие:

Описание	Аккумуляторный блок питания (Триммер)
Марка	Husqvarna
Тип / Модель	325iLK (отдельный блок)
Идентификация	Серийные номера начиная с 2024 года и далее

полностью соответствует следующим директивам и
нормативам ЕС:

Директива/Норма- тив	Описание
2006/42/EC	"О механическом оборудовании"
2014/30/EMC	"Об электромагнитной совместимости"
2011/65/EU	"Об ограничении содержания вредных веществ"
2000/14/EC	"Об излучении шума от оборудования, размещенного вне помещения"

а также требованиям следующих стандартов
и/или технических регламентов: EN ISO
12100:2010, EN 62841-1:2015+AC:2015+A11:2022, EN
62841-4-2:2019+A11:2022+A1:2022, IEC 62841-4-4:
2020+A1:2024, IEC 62841-4-6:2022, ISO 11449:1994,
EN ISO 11680-1:2021, EN 61000-6-3:2007+A1:2011,
EN 61000-6-1:2016, EN IEC 63000:2018.

Организация SMP Svensk Maskinprovning AB,, Box
4053, SE-904 03 Umeå, Sweden осуществила
добровольную типовую проверку в соответствии
с приложением IX Директивы 2006/42/EC. №
сертификата: SEC/24/2593.

Уполномоченная организация: Организация SMP
Svensk Maskinprovning AB, также заверила
соответствие приложению V Директивы совета
2000/14/EC. № сертификата: 01/1610/013.

Информацию по излучению шума см. в разделе
Технические данные на стр. 171.

Husqvarna, 2024-02-01

Стефан Холмберг (Stefan Holmberg), директор
отдела разработок, управление технологиями,
Husqvarna AB, Швеция

Ответственный за техническую документацию



ТОО " Мастер Гарден Казахстан"
Рег. номер 220540029853
Шоссе Коргалжын, д. 76
Астана, 010000
Казахстан

TARTALOMJEGYZÉK

Bevezető.....	175	Hibaelhárítás.....	184
Biztonság.....	176	Szállítás, tárolás és ártalmatlanítás.....	185
Összeszerelés.....	182	Műszaki adatok.....	186
Üzemeltetés.....	182	Tartozékok.....	187
Karbantartás.....	183	Megfelelőségi nyilatkozat.....	188

Bevezető

Rendeltetésszerű használat

A tápegység egy különálló egység, amely kizárólag jóváhagyott tartozékokkal együtt használható. Ezen

tartozékok listáját lásd a következő fejezetben:

Tartozékok 187. oldal. A jelen használati utasítást a jóváhagyott tartozék használati utasításával együtt olvassa el.

A termék áttekintése

(ábra 1)

1. Kezelői kézikönyv
2. 4 mm-es imbuszkulcs
3. Hurokfogantyú
4. Gomb
5. Be-/kikapcsoló gomb
6. Sebességmód gomb
7. Kapcsológomb retesze
8. Felhasználói interfész
9. Kapcsológomb
10. Akkumulátortöltő (tartozék)
11. Töltés- és hibajelző a töltőn
12. Akkumulátorkioldó gombok
13. Akkumulátor (tartozék)
14. A töltöttségi állapotot jelző LED indikátor
15. Figyelmeztető LED
16. Akkumulátorjelző gomb
17. Csatlakozó a rögzítéshez

(ábra 4) Feszültségosztály, V

(ábra 5) Egyenáram.

(ábra 6) Ez a termék megfelel a vonatkozó EK-irányelveknek.

(ábra 7) A terméken vagy a csomagoláson található szimbólum azt jelzi, hogy ezt a terméket nem szabad a háztartási hulladék közé helyezni. A leselejtezett terméket le kell adni a megfelelő újrahasznosítási létesítményben.

(ábra 8) A termék védett a fröccsenő vízzel szemben.

ééééhxxxx

A típustáblán megtalálható a sorozatszám. **éééé** a gyártási év, **hh** a gyártási hét és **xxxx** pedig a sorozatszám.

Megjegyzés: Az akkumulátor és az akkumulátortöltő az egyes típusok esetében eltérő lehet.

A terméken található jelzések

(ábra 2) **VIGYÁZAT!** A termék veszélyes lehet! A vigyázatlan vagy helytelen használat komoly vagy halálos kimenetelű sérülésekhez vezethet a dolgozó illetve környezete számára. Rendkívül fontos, hogy végigolvassa és megértse a használati utasítást. A termék használatba vétele előtt olvassa el figyelmesen a használati utasítást, és győződjön meg róla, hogy megértette a benne foglaltakat.

(ábra 3) Karbantartás előtt válassza le az akkumulátort.

Megjegyzés: A terméken szereplő többi jelölés/címke a további piacok specifikus vizsgáztatási követelményeire vonatkozik.

Gyártó

Husqvarna AB

Drottninggatan 2, SE-561 82 Huskvarna, Sweden, tel: +46-36-146500

A termék károsodása

A termékben keletkezett károkért nem vállalunk felelősséget, amennyiben:

- a termék javítását helytelenül végezték;
- a termék javítása nem a gyártótól származó vagy általa jóváhagyott alkatrészekkel történt;

- a terméket nem a gyártótól származó vagy általa jóváhagyott kiegészítővel szerelték fel;
- a termék javítását nem hivatalos szakszerviz vagy jóváhagyott egyéb szerviz végezte.

hibaelhárítási útmutatókat talál, vagy használhatja a(z) Husqvarna Önkiszolgáló és a Termékkaszisztens szolgáltatást (ha elérhető az Ön piacán). A termékkel kapcsolatos további támogatásért forduljon a(z) Husqvarna szakszervizéhez.

Támogatás

A termékkel kapcsolatos támogatásért látogasson el a Támogatás részre a(z) oldalon, ahol utasításokat,

Biztonság

Biztonsági meghatározások

A figyelmeztetések, óvintézkedések és megjegyzések a használati utasítás kiemelten fontos részeire hívják fel a figyelmet.



FIGYELMEZTETÉS: Akkor használatos, ha a kézikönyv utasításainak be nem tartása esetén fennáll a kezelő vagy a közelben tartózkodók sérülésének vagy halálának veszélye.



VIGYÁZAT: Akkor használatos, ha a kézikönyv utasításainak be nem tartása esetén fennáll a vagyoni kár, illetve a termék vagy a környező terület károsodásának veszélye.

Megjegyzés: További információt biztosít az adott helyzetben szükséges tennivalókról.

A motoros szerszámmal kapcsolatos általános biztonsági figyelmeztetések



FIGYELMEZTETÉS: A jóváhagyott tartozék használati utasítását a jelen tápegység használati utasításával együtt olvassa el.



FIGYELMEZTETÉS: Olvassa el a jelen szerszámgépre vonatkozó összes biztonsági utasítást, útmutatást, ábrát és specifikációt. A az alább felsorolt utasítások figyelmen kívül hagyása áramütést, tüzet és/vagy komoly sérülést okozhat.

Megjegyzés: Tegyen el minden figyelmeztetést és utasítást, mert a jövőben szüksége lehet rájuk.

A „motoros szerszám” kifejezés a figyelmeztetésekben a hálózatról működő (vezetékes) motoros szerszámmra vagy az akkumulátorról működő (vezeték nélküli) motoros szerszámra vonatkozik.

A munkaterület biztonsága

- **Tartsa a munkaterületet tisztán és világítsa meg jól.** A zsúfolt vagy sötét területeken könnyen bekövetkeznek balesetek.
- **Ne működtesse a gépet robbanásveszélyes környezetben, például gyúlékony folyadékok, gázok vagy por jelenlétében.** A gép szikrát vethet, ami lángra lobbanthatja a port vagy a gőzöket.
- **A gyermekeket és más személyeket tartsa távol a gép üzemeltetése alatt.** Ha bármi elvonja a figyelmét, elveszítheti a készülék feletti ellenőrzést.

Elektromos biztonság

- **A gép dugaszának illeszkednie kell az aljzatra. Soha, semmilyen módon ne módosítsa a dugaszt. Ne használjon adaptercsatlakozót a földelt géphez.** Kisebb az áramütés veszélye, ha eredeti dugókat és hozzájuk illő aljzatokat használ.
- **Kerülje el az érintkezést a földelt felületekkel, pl. csövekkel, radiátorokkal, tűzhelyekkel és hűtőszekrényekkel.** Megnövekszik az áramütés veszélye, ha teste le van földelve.
- **Ne tegye ki a gépet esőnek vagy nedves környezetnek.** A géphez jutó víz növeli az áramütés kockázatát.
- **Ne bányon durván a kábellel. A kábelt ne használja a gép hordozására, húzására vagy a dugasz kihúzására. Tartsa távol a kábelt hőtől, olajtól, éles széléktől vagy mozgó alkatrészekről.** A megsérült vagy összegabalyodott kábel megnöveli az áramütés kockázatát.
- **Ha kültéren használja a gépet, használjon kültéri használatra alkalmas hosszabbítókábelt.** A kültéri alkalmazáshoz megfelelő hosszabbító használata csökkenti az áramütés veszélyét.
- **Ha a gépet feltétlenül nedves helyen kell használni, alkalmazzon életvédelmi relével (RCD) védett tápellátást.** Az RCD használatával csökkenthető az áramütés kockázata.

Személyes biztonság

- **Legyen elővigyázatos, figyeljen arra, amit csinál, és használja a józan belátását a gép működtetése során. Ne használja a gépet, ha fáradt, illetve ha gyógyszer, gyógykezelés vagy alkohol hatása alatt áll.** A gépek működése közben egy pillanatnyi figyelemkiesés is súlyos személyi sérülést okozhat.

- **Használjon személyi védőfelszerelést. Mindig viseljen védőszemüveget.** A megfelelő környezetben a védőfelszerelések, például a pormaszok, a csúszásgátló védőcipő, a kemény fejtű és a fülvédő használata csökkenti a személyi sérülések kockázatát.
- **Kerülje el a véletlen indítást. Győződjön meg róla, hogy a gép ki van-e kapcsolva, mielőtt csatlakoztatja a készüléket az áramforráshoz és/vagy az akkumulátorhoz, vagy felemeli és/vagy egyik helyről a másikra viszi azt.** Balesetet okozhat, ha a gépet úgy viszi, hogy az ujjá a kapcsolón van, vagy ha a bekapcsolt gépet áram alá helyezi.
- **Távolítson el minden beállító kulcsot vagy csavarkulcsot, mielőtt bekapcsolná a gépet.** A készülék forgó részeiben hagyott szerszám vagy kulcs sérülésekhez vezethet.
- **Ne nyújtózkodjon a termékkel. Mindig szilárdan álljon a talajon, és őrizze meg az egyensúlyát.** Így váratlan helyzetekben is jobban megőrizheti az elektromos szerszám feletti uralmát.
- **Őltőzködjön megfelelően. Ne viseljen ékszereket, rövidnadrágot, szandált, illetve ne legyen meztláb. Tartsa távol a haját és ruházatát a mozgó alkatrészekről.** A mozgó alkatrészek bekaphatják a laza ruhát, az ékszert vagy a hosszú haját.
- **Ha a készülékhez csatlakoztatható porgyűjtő berendezés, mindig csatlakoztassa és használja azt.** A porgyűjtő alkalmazása csökkenti a porral kapcsolatos veszélyeket.
- **A gépek rendszeres használatából adódó tapasztalata ne vezessen oda, hogy a gépeket könnyelműen, a gépbiztonsági alapelvek figyelmen kívül hagyásával működteti.** Egy gondatlanul kivitelezett művelet akár egy századmásodperc alatt is súlyos sérüléshez vezethet.

A gép használata és karbantartása

- **Ne erősítse a gépet. Használja a feladathoz megfelelő gépet.** A megfelelő gép jobb és biztonságosabb munkát fog végezni azon a sebességen, amire tervezték.
- **Ne használja a gépet, ha a kapcsoló nem kapcsolja ki vagy be.** A kapcsolóval nem vezérelhető gépek veszélyesek és javításra szorulnak.
- **Húzza ki a dugaszt az áramforrásból és/vagy vegye ki az akkumulátort (amennyiben kivethető), ha bármilyen beállítást végez, kicseréli egy tartozékot vagy tárolja a gépeket.** Az ilyen megelőző biztonsági intézkedések csökkentik a gép véletlen elindításának veszélyét.
- **A nem használt gépeket tartsa távol a gyermekektől, és ne engedje, hogy olyan személyek működtessék, akik nem ismerik a gépeket és ezeket az utasításokat.** A gépek képtelen felhasználók kezében veszélyt jelentenek.
- **Végezze el a gépek és a kiegészítők karbantartását. Ellenőrizze, hogy a mozgó alkatrészek helyükön vannak-e, nem szorulnak-e, nem törtek-e le a részek, illetve nem áll-e fenn más olyan állapot, amely**

befolyásolhatja a gépek működését. Ha sérült, a használat előtt javíttassa meg a gépet. Sok balesetet rosszul karbantartott gépek okoznak.

- **Tartsa élesen és tisztán a vágószerszámokat.** A megfelelően karbantartott, éles vágógépek kevésbé hajlamosak a beszorulásra, és könnyebb kezelni őket.
- **A gépet, a kiegészítőket és az alkatrészeket stb. ezen utasításokkal összhangban használja, vegye figyelembe a munkakörülményeket és az elvégzendő feladatot.** Ha a gépet nem a rendeltetésének megfelelően használják, veszélyes helyzet állhat elő.
- **A fogantyúkat és fogófelületeket tartsa szárazon, tisztán, olaj- és zsírtmentesen.** A csúszós fogantyúk és fogófelületek miatt váratlan helyzetekben nem lehet biztonságos módon kezelni és vezérelni a gépet.

Az akkumulátoros gép használata és karbantartása

- **Csak a gyártó által meghatározott töltővel töltsse.** Az a töltő, amelyik az egyik típusú akkumulátorhoz használható, tűzveszélyes lehet, ha másik típusú akkumulátorral használják.
- **A gépet csak a típusuknak megfelelő akkumulátorokkal használja.** Bármilyen más típusú akkumulátor használata sérülés- és tűzveszélyes.
- **Amikor az akkumulátort nem használja, tartsa távol más fémtárgyaktól, például gémkapcsoktól, érméktől, kulcsoktól, tűktől, csavaroktól vagy más kisebb fémtárgyaktól, amelyek összekapcsolhatják a sarukat.** Az akkumulátorsaruk rövidre zárása égést vagy tüzet okozhat.
- **Nem megfelelő körülmények hatására az akkumulátorból folyadék szivároghat ki. Kerülje az érintkezést. Ha ez véletlenül mégis megtörténik, öblítse le vízzel. Ha a folyadék szembe kerül, forduljon orvoshoz.** Az akkumulátorból távozó folyadék irritációt vagy égési sérülést okozhat.
- **Ne használjon sérült vagy módosított akkumulátort vagy gépet.** A sérült vagy módosított akkumulátorok kiszámíthatatlanul viselkedhetnek, ami tüzet, robbanást vagy sérülést okozhat.
- **Az akkumulátort vagy a gépet ne tegye ki tűznek vagy túl magas hőmérsékletnek.** A tűznek való kitettség, illetve a 130 °C/265 °F feletti hőmérséklet robbanást okozhat.
- **Kövesse a töltésre vonatkozó utasításokat, és ne töltsse az akkumulátort vagy a gépet az utasításokban megadott hőmérséklet-tartományon kívül.** A nem megfelelő, illetve a megadott tartományon kívül eső hőmérsékleten való töltés károsíthatja az akkumulátort és növeli a tűzveszélyt.

Szervíz

- **Az elektromos szerszámot csak minősített szakemberrel, és eredeti pótalkatrészek**

felhasználásával javíttassa. Ez biztosítja, hogy a gép továbbra is biztonságos maradjon.

- **Soha ne szervelje a sérült akkumulátort.** Az akkumulátor szervelését csak a gyártó vagy egy hivatalos szolgáltató végezheti el.

Egyéb általános biztonsági információk

- Kapcsolja ki a terméket, mielőtt másik helyre megy vele. Amikor más személynek adja át a terméket, vegye ki belőle az akkumulátort.
- Kizárólag abban az esetben tegye le a terméket, ha kikapcsolta azt és kivette belőle az akkumulátort. Ne hagyja felügyelet nélkül a bekapcsolt terméket.
- A vágóeszköz nem áll le azonnal a termék kikapcsolásakor.
- A termék használata előtt, illetve ütközés után ellenőrizze, hogy nem láthatók-e a terméken kopás vagy sérülés nyomai, és szükség esetén gondoskodjon a javításról.
- Ha működés közben valami beleakad a vágófelszerelésbe, állítsa le és kapcsolja ki a terméket. Győződjön meg arról, hogy a vágófelszerelés teljesen leállt-e. A termék és/vagy a vágóeszköz tisztítása, ellenőrzése vagy javítása előtt vegye ki az akkumulátort.
- Használat előtt ellenőrizze a terméket. Lásd: *Biztonsági eszközök a terméken 180. oldalon* és *Karbantartás 183. oldalon*. Sérült terméket ne használjon. Végezze el a jelen használati utasításban előírt ellenőrzési, karbantartási és szervizmunkálatokat.
- A hibás vágófelszerelés használata növelheti a balesetveszélyt.
- Ellenőrizze, nem piszkos-e a fogaskerék, és nincs-e rajta repedés. Kéfével tisztítsa meg a fogaskereket a fűtől és levelektől. Ha szükséges, viseljen kesztyűt.
- A szellőzőnyílásokat mindig tartsa szennyeződésmentesen.
- Ellenőrizze, teljesen fel van-e helyezve a damilfej a fűszegélynyíróra.
- A gép elindítása előtt az összes burkolatot, védőlemezt és fogantyút fel kell szerelni.
- Ellenőrizze, hogy a termék teljes mértékben működőképes állapotban van-e. Ellenőrizze, hogy az anyák és csavarok szorosan meg vannak-e húzva.
- Ellenőrizze, hogy a damilfej és a damilfej-védőburkolat sértetlen-e, és hogy nincsenek-e rajtuk repedések. Cserélje ki a damilfejet és a trimmervédőt, ha azok ütésnek lettek kitéve, vagy ha repedések vannak rajtuk. Mindig a vágófelszereléshez javasolt pengevédőt használja. Lásd: *Műszaki adatok 186. oldalon*.
- Ez a termék veszélyes szerszám, ha nem körültekintően járnak el a használata során, vagy nem megfelelőképpen használják. A gép a kezelő és mások súlyos sérülését és halálát is okozhatja.
- A készüléket csökkent fizikai, érzékelési vagy mentális képességekkel rendelkező, illetve a szükséges tapasztalattal és tudással nem

rendelkező személy (beleértve a gyermekeket is) csak akkor használhatja, ha a biztonságukért felelős személy felügyeli őket vagy útmutatást nyújt számukra. Biztosítsa, hogy a gyermekek ne játsszanak a készülékkel.

- Soha ne engedje, hogy gyermekek használják a gépet, vagy a gép közelében tartózkodjanak. Mivel a gép könnyen indul, szigorú felügyelet nélkül a gyermekek könnyen beindíthatják. Ez súlyos személyi sérüléshez vezethet. Ezért mindig válassza le az akkumulátort, ha nem tud folyamatosan felügyelni a gépre.
- Soha ne engedje, hogy gyermek vagy a termék használatában nem jártas személy használja vagy szervelje a terméket, illetve az akkumulátort.
- A berendezést zárható helyen tartsa, hogy ne kerülhessen gyermekek vagy illetéktelen személyek kezébe.
- Tárolás és szállítás során mindig használja a szállítótokot.
- A kezét és lábát mindig tartsa távol a vágási területtől, különösen a motor bekapcsolásakor.
- Se a kezével, se a lábával ne érjen a vágóeszköz felületéhez, amíg az teljesen le nem áll a termék kikapcsolását követően.
- Amíg a termék működésben van, vagy a vágóeszköz forgog, ne távolítsa el és másoknak se engedje, hogy eltávolítsák a levágott anyagokat a termékről, mert ez súlyos sérüléseket okozhat.
- Ne feledje, hogy a kezelő, azaz Ön a felelős más személyek vagy azok tulajdonának sérüléseiért vagy veszélyeztetéséért.
- A termék eredeti kivitelezésén a gyártó cég engedélye nélkül semmilyen módosítást sem szabad végezni. Mindig eredeti tartozékokat használjon. Nem engedélyezett módosítások és/vagy pótalkatrészek komoly sérülésekhez vagy halálos balesetekhez vezethetnek. Előfordulhat, hogy a garancia nem terjed ki a nem engedélyezett tartozékok vagy cserealkatrészek használatából adódó károkra és felelősségre.
- A termékhez a Tartozékok című fejezetben javasolt vágófelszereléseken kívül semmilyen egyéb tartozék nem használható. Lásd: *Tartozékok 187. oldalon*.
- Soha ne használjon olyan terméket, amelynek eredeti konstrukcióján bármilyen módon is változtattak.
- Soha ne használjon olyan terméket, amely hibás. Végezze el az ebben a használati utasításban előírt ellenőrzési, karbantartási és szervizmunkálatokat. Bizonyos karbantartási és szervizmunkákat szakembernek kell végrehajtania. Lásd a Karbantartás című fejezetben leírtakat.
- A rossz időben végzett munka fásztó, és gyakran kockázatokkal is jár. Fokozott veszély miatt a gép használata rossz időjárási körülmények között, például sűrű ködben, intenzív esőzések, erős szélben, rendkívüli hidegben és villámláskor nem ajánlott.

- Csak akkor dolgozzon létrán, széken vagy más emelvényen, ha azt teljes mértékben rögzítette.
- Tárolja zárt térben a használaton kívüli terméket – Ha nem használja a terméket, tárolja beltéren.
- Lehetetlen az összes elképzelhető helyzetet ismertetni. Mindig megfontoltan és előrelátóan tevékenykedjen. Kerülje az olyan helyzeteket, amelyek saját megítélése szerint meghaladják a képességeit. Ha a jelen kézikönyv elolvasása után is bizonytalannak érzi magát az üzemeltetési eljárásokkal kapcsolatban, a folytatás előtt kérje ki egy szakértő véleményét.
- Ügyeljen arra, hogy a munka során se ember, se állat ne jöjjön 15 méternél (50 lábna) közelebb. Ha ugyanazon a munkaterületen többen is dolgoznak, a biztonsági távolságnak legalább 15 méternek (50 lábna) kell lennie. Ellenkező esetben komoly személyi sérülések veszélye áll fenn. Ha valaki megközelíti Önt, azonnal állítsa le a terméket. Mielőtt megfordulna a termékkel, mindig ellenőrizze, hogy nem tartózkodik-e valaki a biztonsági zónán belül.
- Ügyeljen arra, sem emberek, sem állatok vagy egyéb ényezők ne befolyásolhassák az Ön uralmát a termék felett, illetve hogy a fent említettek ne kerülhessenek érintkezésbe a vágófelszereléssel vagy a szétzóródó tárgyakkal. Ne használja azonban a terméket olyan körülmények között, amelyeknél baleset esetén nem lenne lehetősége segítséget hívni.
- Bizonyosodjon meg arról, hogy biztonságosan tud járni és állni. Nézzon körül és ellenőrizze lehetséges akadályok (például gyökerek, kövek, gödrök, árkok stb.) jelenlétét arra az esetre, ha hirtelen el kellene mozdulnia. Legyen nagyon óvatos, amikor lejtős talajon dolgozik.
- Sétáljon, soha ne fusson.
- Ellenőrizze a munkaterületet. Távolítsa el minden mozgítható tárgyat, pl. köveket, üvegcserepeket, szögeket, fémdrótokat, zsinégeket, stb., amelyeket a vágófej vagy a vágófelszerelés felkaphat, vagy amelyek esetleg a felszerelésre csavarodhatnak.
- Ügyeljen az ágakon lévő gallyakra, amelyek vágás közben elrepülhetnek. Ne vágjon a talajhoz túl közel, mert az ott található kövek és egyéb tárgyak felpattanhatnak.
- Ügyeljen arra, hogy a termék működése közben a vágófelszereléshez ne érjen ruha vagy bármilyen testrész. A terméket tartsa derékmagasság alatt.
- Vigyázzon a felcsapódó tárgyaktól. Mindig elismert szemvédőt használjon. Soha ne hajoljon a vágófelszerelés védőegysége fölé. Kő, szemét stb. kerülhet a szemébe, amely vakságot, illetve súlyos sérüléseket okozhat.
- Fülvédő viselése esetén mindig figyeljen a figyelmeztető jelzésekre és hangokra. A termék leállítás után azonnal vegye le a fülvédőket.
- Nemkívánatos rezgés esetén a rezgés megszüntetése érdekében ütéssel állítsa az új szálát megfelelő hosszúságúra.
- Ha a termék rendellenes vibrálásba kezd, állítsa le, és távolítsa el az akkumulátort.
- Az erős rezgés miatt a vérkeringési zavarokban szenvedő személyeknél ér- vagy idegsérülések léphetnek fel. Forduljon orvoshoz, ha olyan tüneteket tapasztal, amelyeket feltehetőleg az erős rezgés okozott. Ezek a tünetek többek között zsibbadás, érzéskiesés, bizsergés, szúró érzés, fájdalom, erőtlenység, a bőr színének vagy felületének megváltozása. A tünetek többnyire az ujjakban, a kézben vagy a csuklóban jelentkeznek.
- Mindig két kézzel tartsa a terméket. Tartsa a terméket teste jobb oldalán.

Személyi védőfelszerelés



FIGYELMEZTETÉS: A termék használata előtt olvassa el az alábbi figyelmeztetéseket.

- A termék használata során viseljen jóváhagyott személyi védőfelszerelést. A személyi védőfelszerelés nem küszöböli ki teljes mértékben a sérülés kockázatát, de csökkenti a sérülés mértékét, ha bekövetkezik a baleset. A megfelelő felszerelés kiválasztásában kérje a kereskedő segítségét.
- Használjon védősisakot azokon a helyeken, ahol fennáll a veszélye annak, hogy tárgyak esnek a földre.
- Használjon elegendő hangtompító hatással rendelkező, jóváhagyott fülvédőt. Hosszú távon a tartós zajártalom maradandó halláskárosodást okozhat.
- Használjon jóváhagyott védőszemüveget. Ha arcvédőt használ, jóváhagyott védőszemüveget is kell viselnie. Jóváhagyott védőszemüvegek azok, amelyek megfelelnek az ANSI Z87.1 (USA), illetve EN 166 (EU-országok) szabványoknak.
- Az arcvédelem érdekében használjon arcvédőt. Az arcvédő használata nem elegendő a szemek védelméhez.

(ábra 9)

- Ha szükséges, viseljen kesztyűt – például a vágószerkezet felhelyezésekor, ellenőrzésekor vagy tisztításakor.

(ábra 10)

- Viseljen stabil, csúszásgátló talppal ellátott cizmát.
- Viseljen sűrű szövésű anyagból készült ruházatot. Vastag, hosszú nadrágot és hosszú ujjú felsőrészt viseljen. Ne viseljen bő ruházatot, mert az beakadhat a gallyakba és a bokrok ágaiba. Ne viseljen ékszereket, rövidnadrágot, szandált, illetve ne legyen meztláb. Igazítsa haját vállmagasság fölé.

(ábra 11)

- Tartson elsősegélykészletet a közelben.

Biztonsági eszközök a terméken



FIGYELMEZTETÉS: A termék használata előtt olvassa el az alábbi figyelmeztetéseket.

Ez a fejezet a termék biztonsági funkcióit és rendeltetését, valamint a megfelelő üzemelést biztosító ellenőrzések és karbantartási műveletek elvégzésének módját ismerteti. Tekintse át a fejléc alatt szereplő utasításokat, *Bevezető 175. oldalon* hogy megtudja, hol találhatóak ezek az alkatrészek a terméken.

A termék élettartama lecsökkenhet, a balesetveszély pedig megnövekedhet, ha a termék karbantartását nem megfelelően hajtják végre, illetve ha a szervizt és/vagy a javításokat nem szakszerűen végzik. Ha további információra van szüksége, vegye fel a kapcsolatot a legközelebbi szervizszolgáltatóval.



FIGYELMEZTETÉS: Soha ne használja a terméket sérült biztonsági felszerelésekkel. A termék biztonsági felszerelésének ellenőrzését és a karbantartási munkálatokat a jelen fejezetben leírtak szerint kell elvégezni. Ha az Ön terméke nem felel meg az alábbi vizsgálatok valamelyikénél, forduljon szervizműhelyhez.



VIGYÁZAT: A gép szervizeléséhez és javításához speciális szakmai kiképzésre van szükség. Ez különösen érvényes a gép biztonsági felszereléseire. Ha az Ön gépe nem felel meg az alábbi vizsgálatok valamelyikénél, akkor forduljon szervizműhelyhez. Bármely termékünk megvásárlásakor garantáljuk a szakképzett javítást és szervizelést. Ha a gépet nem szervizműhellyel rendelkező szakkereskedőtől vásárolta, akkor kérje el tőle a legközelebbi szervizműhely címét.

A felhasználói felület ellenőrzése

1. Tartsa lenyomva a be-/kikapcsoló gombot (A). (ábra 12)
 - a) Ha a kijelző (B) világítani kezd, a termék be van kapcsolva.
 - b) Ha a kijelző nem világít, a termék ki van kapcsolva.
2. Ha a kijelzőn lévő figyelmeztetésjelző világít vagy villog, lásd: *Billentyűzet 184. oldalon*.

A kapcsológomb reteszének ellenőrzése

A kapcsológomb retesze úgy van kialakítva, hogy megakadályozza a gomb véletlen megnyomását. Amikor előrenyomja a kapcsológomb reteszét (A), majd a reteszt a fogantyúhoz (B) nyomja, a kapcsológomb (C)

kioldódik. Amikor elengedi a fogantyút, a kapcsológomb és annak retesze egyaránt visszaáll az eredeti állásába. Erről három egymástól független rugó gondoskodik. (ábra 13)

1. Ellenőrizze, hogy a kapcsológomb reteszelt-e, amikor a retesz az eredeti helyzetében van. (ábra 14)
2. Nyomja előre a kapcsológomb reteszét (A), majd nyomja le. Nyomja a kapcsológomb reteszét a fogantyúhoz (B), és győződjön meg arról, hogy az elengedésekor a retesz visszatér-e az eredeti helyzetébe. (ábra 15)
3. Győződjön meg arról, hogy a kapcsológomb és a kapcsológomb retesze akadálymentesen mozog-e, valamint hogy a visszatérítő rugók megfelelően működnek-e. (ábra 16)
4. Tartsa lenyomva a be-/kikapcsoló gombot a termék bekapcsolásához.
5. Nyomja be teljesen a kapcsológombot, ezzel teljes gázt adva.
6. Engedje el a kapcsológombot, és győződjön meg arról, hogy a vágófelszerelés megállt és mozdulatlan marad-e.

Biztonsági utasítások az összeszereléshez



FIGYELMEZTETÉS: A jelen tápegység használati utasítását a jóváhagyott tartozék használati utasításával együtt olvassa el.

- A termék összeszerelése előtt vegye ki az akkumulátort a készülékből.
- Használjon jóváhagyott védőkesztyűt.
- Személyi sérüléshez vezethet, ha sérült vagy nem megfelelő pengevédőt használ. Ne használjon vágófelszerelést jóváhagyott védőburkolat csatlakoztatása nélkül.
- A termék beindítása előtt ellenőrizze, hogy megfelelően összeszerelte-e a fedelet és a nyelet.
- Ha a vágófelszereléshez heveder is tartozik, ügyeljen arra, hogy a hevedert megfelelően rögzítse a termékhez. A heveder gondoskodik a biztonságos működtetésről, valamint megakadályozza a kezelő vagy más személyek sérülését.

Az akkumulátorral kapcsolatos biztonsági előírások



FIGYELMEZTETÉS: A termék használata előtt olvassa el az alábbi figyelmeztetéseket.

- Csak jóváhagyott Husqvarna akkumulátorokat használjon. Lásd: *Jóváhagyott akkumulátorok 186*.

*oldal*on. Az akkumulátorok szoftveresen kódolva vannak.

- A jóváhagyott Husqvarna akkumulátorokat csak a kompatibilis Husqvarna termékek tápellátására használja. Ne használja az akkumulátor más eszközök áramforrásoként, mivel ez balesetveszélyes.
- Elektromos áramütés veszélye. Ne érintse az akkumulátorsarukat kulcsokhoz, érmékhez, csavarokhoz vagy egyéb fémhez. Ez az akkumulátor rövidzárlatát okozhatja.
- Ne használjon nem újratölthető akkumulátorokat.
- Ne tegyen tárgyakat az akkumulátor szellőzőnyílásaiba.
- Tartsa távol az akkumulátort a közvetlen napsütéstől, hőtől és nyílt lángtól. Az akkumulátor súlyos égési, illetve vegyi égési sérüléseket okozhat.
- Tartsa az akkumulátort esős, nedves környezetől távol.
- Tartsa az akkumulátort mikrohullámoktól és magas nyomástól távol.
- Soha ne próbálkozzon az akkumulátor szétszerelésével vagy szétállításával.
- Ha az akkumulátor szivárog, ne hagyja, hogy a folyadék bőrre vagy szembe kerüljön. Ha hozzáért a folyadékhoz, nagy mennyiségű szappanos vízzel tisztítsa meg az adott testfelületet, és forduljon orvoshoz. Ha a folyadék a szemébe kerül, ne dörzsölje, hanem legalább 15 percig alaposan öblítse át a szemét vízzel, és forduljon orvoshoz.
- Az akkumulátort -10 °C (14 °F) és 40 °C (114 °F) közötti hőmérsékleten használja.
- Soha ne tisztítsa vízzel az akkumulátort vagy az akkumulátortöltőt. Lásd: *A termék, az akkumulátor és az akkumulátortöltő tisztítása 184. oldal*on.
- Ne használja a sérült vagy nem megfelelően akkumulátort.
- A tárolás során tartsa az akkumulátorokat távol a fém tárgyaktól, például szegektől, csavaroktól és ékszerektől.
- Az akkumulátor gyermekektől elzárva tartandó.

Az akkumulátortöltő készülék biztonsága



FIGYELMEZTETÉS: A termék használata előtt olvassa el az alábbi figyelmeztetéseket.

- Áramütés vagy rövidzárlat veszélye, ha a biztonsági utasításokat nem tartják be.
- Ne használjon más a termékhez mellékelt akkumulátortöltőn kívül. A Husqvarna által jóváhagyott akkumulátortöltőt kizárólag eredeti Husqvarna akkumulátorok töltésére használja. Az utasításokat illetően tekintse át a következőt: *Műszaki adatok 186. oldal*on.

- Ne próbálkozzon az akkumulátortöltő szétszerelésével.
- Ne használja a sérült vagy nem megfelelően működő akkumulátortöltőt.
- Ne emelje fel az akkumulátortöltőt a tápkábelnél fogva. Az akkumulátortöltőt fali aljzatból történő kihúzásához a dugaszt húzza. Ne a tápkábelt húzza.
- Minden kábelt és hosszabbítókábelt óvjon a víztől, az olajtól és az éles peremektől. Ügyeljen rá, hogy a kábel ne akadjon be ajtóba, korlátba vagy ezekhez hasonló tárgyakra.
- Ne használja az akkumulátortöltőt gyúlékony anyagok vagy olyan anyagok közelében, amelyek korróziót okozhatnak. Győződjön meg róla, hogy az akkumulátortöltőt nem fedi semmi. Amennyiben a töltő füstölni vagy égni kezdene, húzza ki a dugóját.
- Az akkumulátort csak jó szellőzésű helyiségben, napfénytől távol töltsen. Ne töltsen az akkumulátort kültéren. Ne töltsen az akkumulátort nedves körülmények között.
- Az akkumulátortöltőt csak 5 °C (41 °F) és 40 °C (104 °F) közötti hőmérséklet esetén használja. A töltőkészüléket jól szellőző, száraz és pormentes környezetben használja.
- Ne tegyen tárgyakat az akkumulátortöltő hűtőnyílásaiba.
- Ne érintsen az akkumulátortöltő csatlakozóihoz fémtárgyakat, mivel ezek rövidzárlatot okozhatnak a töltőkészüléken.
- Jóváhagyott, sértetlen hálózati aljzatot használjon. Ellenőrizze, hogy az akkumulátortöltő kábele nem sérült-e. Hosszabbítókábelek használata esetén győződjön meg arról, hogy a hosszabbítókábelek nem sérültek-e.

Biztonsági utasítások a karbantartáshoz



FIGYELMEZTETÉS: A terméken végzett karbantartási műveletek előtt olvassa el az alábbi figyelmeztetéseket.

- Karbantartás, egyéb ellenőrzések vagy a termék összeszerelése előtt távolítsa el az akkumulátort.
- A kezelő kizárólag a jelen használati utasításban szereplő karbantartási és szervizmunkákat végezheti el. A szélesebb körű karbantartási és szervizmunkákkal kapcsolatban forduljon a szakszervizhez.
- Soha ne tisztítsa vízzel az akkumulátort vagy az akkumulátortöltőt. Az erős tisztítószerek kárt tehetnek a műanyagban.
- A karbantartási műveletek elmulasztása csökkentheti a termék élettartamát, illetve növeli a balesetveszélyt.
- A gépen végzett minden szerviz- és javítási munkát szakképzettséget igényel, különös tekintettel a biztonsági eszközökre. Amennyiben

a karbantartást követően nem minden, a használati utasításban leírt ellenőrzési művelet jóváhagyott, forduljon a szakszervizhez. Garantáljuk a termékéhez megfelelő, professzionális javítást és szervizelést.

- Kizárólag eredeti pótalkatrészeket használjon.
- A vágófelszerelés javítása során mindig viseljen strapabíró védőkesztyűt. A kések nagyon élesek, és könnyen sérülést okozhatnak.

Összeszerelés

A hurokfogantyú összeszerelése

1. Szerelje fel a hurokfogantyút a nyélen látható nyíljelzések közé. Ne helyezze a hurokfogantyút vagy a függesztőkarikát a címkére. (ábra 17)
2. Tolja a távtartót a hurokfogantyú nyílásába.
3. Rögzítse a csavaranyát, a gombot és a csavart, de ne húzza túl szorosra.
4. Állítsa a terméket kényelmes helyzetbe.
5. Húzza meg a csavart.

A két részből álló nyél összeszerelése

1. A gombot elforgatva lazítsa meg a csatlakozót. (ábra 18)
2. Igazítsa egymáshoz a fület (A) a csatlakozón lévő nyíllal (B). (ábra 19)
3. Nyomja be a nyelet a nyélcsatlakozóba, amíg a helyére nem kattán. (ábra 20)
4. Teljesen húzza meg a kilincset. (ábra 21)

A két részből álló nyél szétszerelése

1. A gombot legalább háromszor elforgatva lazítsa meg a csatlakozót. (ábra 22)
2. Nyomja meg és tartsa lenyomva a gombot (C).
3. Tartsa erősen a nyél motorhoz csatlakozó végét.
4. Húzza ki a toldalékot a csatlakozóból. (ábra 23)

A függesztőkarika felszerelése (adott esetben)

1. Helyezze a függesztőkarikát a hátsó fogantyún és a hurokfogantyún lévő nyílak közé. (ábra 24)

Megjegyzés: Ne helyezze a hurokfogantyút a matricára.

2. Állítsa be a gyűrűt a termék megfelelő egyensúlyának és egyszerű használatának biztosításához.

Üzemeltetés

Bevezető



FIGYELMEZTETÉS: A termék használata előtt figyelmesen olvassa el a biztonságról szóló fejezetet.

Husqvarna Connect

Az Husqvarna Connect egy ingyenes mobilalkalmazás. A Husqvarna Connect alkalmazás kibővített funkciókat biztosít Husqvarna termékéhez.

- Bővebb termékinformációk.
- Információk és segítség a termékalkatrészekkel és a szervizeléssel kapcsolatban.

A Husqvarna Connect használatának megkezdése

1. Töltse le az Husqvarna Connect alkalmazást mobil eszközére.
2. Regisztráljon egy fiókot a Husqvarna Connect alkalmazásban.
3. A termék csatlakoztatásához és regisztrálásához kövesse a Husqvarna Connect alkalmazásban megjelenő utasításokat.

Megjegyzés: A Husqvarna Connect alkalmazás nem érhető el minden piacon. További tájékoztatásért forduljon az illetékes szakszervizhez.

Az akkumulátor csatlakoztatása a termékhez



FIGYELMEZTETÉS: Kizárólag eredeti Husqvarna akkumulátorokat használjon a termékkel.

1. Ellenőrizze, hogy az akkumulátor teljesen fel van-e töltve.
2. Nyomja az akkumulátort a terméken található akkumulátortartóba. Az akkumulátor egy kattánás kíséretében a helyére kattán. (ábra 25)



VIGYÁZAT: Ha az akkumulátor nem megy bele könnyen az akkumulátortartóba, akkor az akkumulátor nem megfelelően van behelyezve. Ezzel kárt tehet a termékben.

3. Ügyeljen arra, hogy az akkumulátor megfelelően legyen behelyezve.

Az akkumulátor töltése

Megjegyzés: Az első használat előtt töltsse fel az akkumulátort. Az új akkumulátorok csak 30%-ra vannak feltöltve.

1. Ellenőrizze, hogy az akkumulátor teljesen száraz-e.
2. Helyezze az akkumulátort az akkumulátortöltőbe. (ábra 26)

Megjegyzés: Az akkumulátor és az akkumulátortöltő az egyes típusok esetében eltérő lehet, de az eljárás ugyanaz.

3. Ellenőrizze, hogy az akkumulátortöltőn lévő zöld töltésszélző lámpa világít-e. Ez azt jelenti, hogy az akkumulátor megfelelően érintkezik a töltőkészülékkel.
4. Ha az akkumulátoron az összes LED világít, az akkumulátor teljesen fel van töltve. (ábra 27)
5. Az akkumulátortöltő fali aljzatból történő kihúzásához a dugaszt húzza. Ne a kábelt húzza.
6. Vegye ki az akkumulátort a töltőből.

Megjegyzés: További információkért tekintse át az akkumulátor és az akkumulátortöltő használati utasítását.

Munkapozíció

- Tartsa a terméket két kézzel.
- Tartsa a terméket teste jobb oldalán.
- Tartsa a vágófelszerelést csipőszint alatt.
- Tartsa távol testrészeit a forró felületektől.
- Tartsa távol testrészeit a vágófelszereléstől.

A termék működtetése előtt

- Ellenőrizze a munkaterületet; mérje fel a terep jellegét, a talaj lejtését, valamint keressen esetleges akadályokat, például köveket, ágakat, gödröket.
- Végezzen átfogó ellenőrzést a terméken.
- Végezze el a használati utasításban közölt biztonsági ellenőrzéseket, valamint karbantartási és szervizelési feladatokat.

- Győződjön meg arról, hogy minden fedőelem, burkolat, fogantyú és tartozék megfelelően van-e rögzítve, illetve sérülésmentes-e.

A termék elindítása

1. Tartsa lenyomva a be-/kikapcsoló gombot, amíg a zöld LED világítani nem kezd. (ábra 28)
2. A fordulatszámot a kapcsológombbal szabályozhatja.

A maximális fordulatszám korlátozása az üzemmód gombbal

A termék el van látva egy üzemmód gombbal.

Az üzemmód gombbal a kezelő korlátozhatja a maximális fordulatszámot. Az üzemmód gomb 3 sebességfokozattal rendelkezik. Az alacsonyabb fokozatok használata esetén a termék élettartama megnő. Az üzemmód gomb 3 sebességfokozattal rendelkezik. Az alacsonyabb fokozatok használata esetén a termék élettartama megnő. Az 1. és a 2. fokozatot akkor használja, ha a művelethez nem szükséges a maximális fordulatszám/teljesítmény. Ha az üzemeltetési körülmények teljes fordulatszámot/teljesítményt igényelnek, használja a 3. fokozatot. Ne használjon a művelethez szükségesnél magasabb fokozatot.

1. Nyomja meg az üzemmód gombot a maximális fordulatszám beállításához. A funkció bekapcsolásakor a fehér LED világítani kezd. (ábra 29)
2. A következő sebességfokozat kiválasztásához nyomja meg ismét az üzemmód gombot.

Automatikus leállítás funkció

A termék automatikus leállítás funkcióval rendelkezik, amely kikapcsolja azt, ha 3 percig nincs használatban.

A termék leállítása

1. Engedje el a kapcsológombot vagy a kapcsológomb reteszét.
2. Nyomja meg a be-/kikapcsoló gombot. (ábra 30)
3. Nyomja le az akkumulátor kioldógombjait, és húzza ki az akkumulátort. (ábra 31)

Karbantartás

Bevezető



FIGYELMEZTETÉS: Karbantartási munkák előtt el kell olvasnia és meg kell értenie a biztonságról szóló fejezetet.



FIGYELMEZTETÉS: Karbantartási munkák előtt távolítsa el az akkumulátort.

Alább következnek egy lista a termék karbantartásával kapcsolatos lépésekről. A karbantartási ütemtervben előírt karbantartáson kívül rendszeresen

szervizeltesse a terméket Husqvarna szakszervizben. A szervizintervallumokkal kapcsolatos további információért forduljon a Husqvarna szakszervizhez.

Karbantartás	Naponta	Hetente	Havi
Tisztítsa meg a gép külső részeit egy száraz törülközővel. Ne használjon vizet.	X		
Ellenőrizze, hogy a bekapcsológomb megfelelően működik-e és nem sérült-e meg.	X		
Ellenőrizze, hogy biztonsági szempontból megfelelő-e a kapcsológomb és a kapcsológomb reteszének működése.	X		
Ellenőrizze, hogy az összes vezérlő működik és sértetlen-e.	X		
A fogantyúkat tartsa szárazon, tisztán, olaj- és zsírmentesen.	X		
Ellenőrizze, hogy a csavarok és anyák szorosan rögzülnek-e.	X		
Ellenőrizze, hogy az akkumulátor kioldógombjai működnek-e, és rögzítik-e az akkumulátort a termékben.	X		
Ellenőrizze, hogy az akkumulátor sértetlen-e.	X		
Ellenőrizze, hogy az akkumulátor fel van töltve.	X		
Ellenőrizze, hogy az akkumulátortöltő sértetlen-e, és megfelelően működik.	X		
Ellenőrizze az összes kábelt, csatlakozót és csatlakozást. Győződjön meg arról, hogy sértetlenek és szennyeződésmentesek-e.		X	
Végezze el az akkumulátor és a termék közötti csatlakozások ellenőrzését. Végezze el az akkumulátor és az akkumulátortöltő közötti csatlakozás ellenőrzését.			X

A termék, az akkumulátor és az akkumulátortöltő tisztítása

1. Használat után tisztítsa meg a terméket egy száraz ruhával.
2. Tisztítsa meg az akkumulátort és az akkumulátortöltőt egy száraz ruhával. Tartsa tisztán az akkumulátorvezető síneket.
3. Mielőtt a töltőkészülékbe vagy a termékbe helyezné az akkumulátort, gondoskodjon az akkumulátor és a töltő érintkezőinek tisztaságáról.

Két részből álló nyél

Zsírozza meg a hajtótengely végét 30 üzemóra után. Fennáll a veszélye, hogy a két részből álló nyéllal rendelkező modellek hajtótengelyeinek végei (bordás csatlakozó) elakadnak, ha nincsenek rendszeresen kenve. (ábra 32)

Hibaelhárítás

Billentyűzet

LED-es kijelző	Lehetséges hibák	Lehetséges megoldás
Villog a zöld aktiválási LED	Alacsony akkumulátorfeszültség.	Töltse fel az akkumulátort.

LED-es kijelző	Lehetséges hibák	Lehetséges megoldás
Villog a piros hibajelző LED	Túlterhelés.	A vágófelszerelés elakadt. Kapcsolja ki a terméket. Vegye ki az akkumulátort. Tisztítsa meg a vágófelszerelést a nemkívánatos anyagoktól.
	Hőmérséklet-ingadozás.	Várja meg, míg a termék lehül.
	A kapcsológombot és az aktiválógombot ugyanakkor kell megnyomni.	Engedje el a kapcsológombot, és a termék aktiválódik.
A termék nem indul	Piszok került az akkumulátorcsatlakozókba.	Tisztítsa meg az akkumulátorcsatlakozókat sűrített levegő vagy egy puha kefe segítségével.
Pirosan világít a hibajelző LED	A terméket szervizelni kell.	Forduljon a szervizműhelyhez.

Szállítás, tárolás és ártalmatlanítás

Szállítás és raktározás

- A mellékelt lítium-ion akkumulátorokra a veszélyes anyagokra vonatkozó jogszabályok követelményei érvényesek.
- Kereskedelmi szállításnál – harmadik fél és szállítmányozó cégek esetén is – a csomagolásra és címkézésre vonatkozó speciális előírásokat be kell tartani.
- A termék elküldése előtt forduljon egy veszélyes anyagok tekintetében szakképzett személyhez. Tartsa be az összes vonatkozó nemzeti előírást.
- Ha az akkumulátort becsomagolja, a szabadon álló érintkezőket le kell fedni ragasztószalaggal. Szorosan csomagolja be az akkumulátort, hogy az ne mozdulhasson el a csomagoláson belül.
- Tároláshoz vagy szállításhoz távolítsa el az akkumulátort.
- Helyezze az akkumulátort és az akkumulátortöltőt száraz, nedvesség- és fagymentes helyre.
- Ne tartsa az akkumulátort olyan helyen, ahol elektrosztatikus töltés lehet jelen. Ne tartsa az akkumulátort fém dobozban.
- Helyezze az akkumulátort közvetlen napfénytől védett helyre, ahol a hőmérséklet 5 °C (41 °F) és 25 °C (77 °F) között van.
- Helyezze az akkumulátortöltőt közvetlen napfénytől védett helyre, ahol a hőmérséklet 5 °C (41 °F) és 45 °C (113 °F) között van.
- Az akkumulátortöltőt csak 5 °C (41 °F) és 40 °C (104 °F) közötti környezeti hőmérséklet mellett használja.
- Hosszú ideig való tárolás előtt töltsse fel az akkumulátort 30–50%-ra.
- Az akkumulátortöltőt száraz, zárt helyen tárolja.
- A tárolás során tartsa távol az akkumulátort az akkumulátortöltőtől. Ügyeljen arra, hogy gyermekek és más jogosulatlan személyek ne érhessenek a berendezéshez. A berendezést kulccsal zárható helyen tárolja.
- A hosszú ideig való tárolás előtt tisztítsa meg a terméket, és végezze el annak teljes karbantartását.
- A sérülések és a termék károsodásának elkerülése érdekében szállításkor és tároláskor használja a terméken található szállítási biztosítószervezetet.
- Szállításkor rögzítse biztosan a terméket.

Az akkumulátor, az akkumulátortöltő és a termék ártalmatlanítása

A terméken vagy annak csomagolásán található szimbólumok azt jelzik, hogy a termék nem minősül háztartási hulladéknak. Újrahasznosítását egy elektromos és elektronikus berendezések újrahasznosítására szolgáló ponton kell elvégezni. Ez elősegíti a környezetre és a személyekre gyakorolt káros hatások megelőzését.

A termék újrahasznosításával kapcsolatos további információkért forduljon a helyi hatóságokhoz, hulladékártalmatlanítási szolgáltatást végző vállalkozáshoz vagy kereskedőjéhez.

Műszaki adatok

Műszaki adatok

	325iLK
Motor	
Motortípus	BLDC (szénkefe nélküli) 36 V
Kimenőtengely fordulatszáma, ford/perc	8400
Tömeg	
Tömeg (csak a tápegység), kg	2,9
Zajkibocsátás ^{97, 98}	
Hangteljesítményszint, mért dB (A) érték	89-103
Hangteljesítményszint, garantált, L _{WA} dB (A)	90-106
Zajszintek ^{99, 100}	
A kezelő hallószervére gyakorolt, EN 62841-1 szerint mért hangnyomásszint, dB (A):	78-93
Rezgésszintek ^{101, 102}	
Az EN 62841-1 szerint mért rezgésszintek a fogantyúban, m/s ²	1,3-5,5/1,1-3,1

Jóváhagyott akkumulátorok

Akkumulátor	BLi200	40-B220X
Típus	Lítium-ion	Lítium-ion
Akkumulátor kapacitása, Ah	5,2	6,0
Névleges feszültség, V	36	36
Tömeg, kg (font)	1,3 (2,9)	1,4 (3,1)

⁹⁷ A környezetben a 2000/14/EK sz. EK irányelvvel összhangban hangteljesítményként mért zajkibocsátás (LWA). A gép jelentősen szereplő hangteljesítményszintjét a legmagasabb szintet produkáló eredeti vágófel-szereléssel mérték. A garantált és a mért hangteljesítmény közötti különbségnek az az oka, hogy a garantált hangteljesítmény tartalmazza a mérési eredményben lévő ingadozást és az azonos modellű gépek közti eltéréseket is a 2000/14/EK jelű irányelv értelmében.

⁹⁸ A zajtartomány a mért értékeket a legalacsonyabbtól a legmagasabbig jelzi.

⁹⁹ A gép hangnyomásszintjére vonatkozó jelentési adatok a 3 dB (A) tipikus statisztikus ingadozásával (szórásával) rendelkeznek. A hangnyomásszint mérése a legmagasabb szintet produkáló eredeti felszereléssel történt.

¹⁰⁰ A zajtartomány a mért értékeket a legalacsonyabbtól a legmagasabbig jelzi.

¹⁰¹ A rezgésszintre vonatkozó jelentési adatok 2 m/s² tipikus statisztikus ingadozással (szórással) rendelkeznek. A rezgésszintek, valamint az akkumulátorral, illetve az üzemanyaggal működő termékek összehasonlításához használja a rezgésterhelési kalkulátort. <https://www.husqvarna.com/uk/services-solutions/vibration-calculator/>.

¹⁰² A zajtartomány a mért értékeket a legalacsonyabbtól a legmagasabbig jelzi.

Jóváhagyott akkumulátortöltők

Akkumulátortöltő	QC330	40-C500X
Bemeneti feszültség, V	100–240	100–240
Frekvencia, Hz	50–60	50–60
Teljesítmény, W	330	500

Tartozékok

Tartozékok

Jóváhagyott tartozékok	Tartozékszám ¹⁰³	Tartozékcsoport ¹⁰⁴	Ehhez a típushoz
Bokorvágó toldalék, BCA850	1	1-10	325iLK
Lombfűvő tartozék, BA101	11	11-20	325iLK
Szegélynyíró toldalék, ECA850	21	21-30	325iLK
Szegélynyíró toldalék, ESA850	22	21-30	325iLK
Sövénynyíró toldalék, HA860	32	31-40	325iLK
Magassági ágvágó tartozék, PAX730	41	41-50	325iLK
Magassági ágvágó tartozék, PAX1100	42	41-50	325iLK
Fűrész tartozék, PA1100	43	41-50	325iLK
Sepűrű tartozék, SR600-2	51	51-60	325iLK
Sörtés kefe tartozék, BR600	52	51-60	325iLK
Gyepszellőztető tartozék, DT600	53	51-60	325iLK
Kultivátorfelszerelés, CA230	54	51-60	325iLK
Forgótartozék, RA850	2	1-10	525iLK

¹⁰³ Ez egy specifikus szám, amely egy adott tartozékcsoportba tartozó, jóváhagyott tartozékot jelöl.

¹⁰⁴ A jóváhagyott tartozékok tartozékcsoportokba sorolhatók. Minden tartozékcsoport hasonló funkciókkal és címkékkel rendelkezik.

Megfelelőségi nyilatkozat

EU megfelelési nyilatkozat

A **Husqvarna AB**, SE-561 82 Huskvarna, Sweden (tel.: +46-36-146500), a saját felelősségére kijelenti, hogy a termék:

Leírás	Akkumulátoros üzemeltetésű tápegység (fűszegélynyíró)
Márka	Husqvarna
Típus/modell	325iLK (különálló egység)
Megjelölés	2024-as és újabb sorozatszámok

teljes mértékben megfelelnek a következő EU-irányelveknek és szabályozásoknak:

Irányelv/rendelet	Leírás
2006/42/EK	„gépre vonatkozó”
2014/30/EMC	„elektromágneses megfelelésre vonatkozó”
2011/65/EU	„veszélyes anyagok alkalmazásának korlátozására vonatkozó”
2000/14/EK	„kültéri zajkibocsátásra vonatkozó”

valamint hogy az alábbi szabványok és/vagy műszaki előírások kerültek alkalmazásra: EN ISO 12100:2010, EN 62841-1:2015+AC:2015+A11:2022, EN 62841-4-2:2019+A11:2022+A1:2022, IEC 62841-4-4:2020+A1:2024, IEC 62841-4-6:2022, ISO 11449:1994, EN ISO 11680-1:2021, EN 61000-6-3:2007+A1:2011, EN 61000-6-1:2016, EN IEC 63000:2018.



A SMP Svensk Maskinprovning AB, Box 4053, SE-904 03 Umeå, Sweden önkéntes típusvizsgálatot végzett a 2006/42/EK irányelv IX. melléklete szerint. A tanúsítvány száma: SEC/24/2593.

A 0404, A SMP Svensk Maskinprovning AB, a tanács 2000/14/EK irányelve V. függelékének való megfelelést is igazolta. A tanúsítvány száma: 01/1610/013.

A zajkibocsátásra vonatkozó tájékoztatást illetően tekintse át a következőt: *Műszaki adatok 186. oldalon.*

Huskvarna, 2024-02-01

Stefan Holmberg, K+F igazgató, Technológiai menedzsment, Husqvarna AB, Svédország

A műszaki dokumentációk felelőse

ÍNDICE

Introdução.....	189	Resolução de problemas.....	198
Segurança.....	190	Transporte, armazenamento e eliminação.....	199
Montagem.....	196	Especificações técnicas.....	200
Funcionamento.....	196	Acessórios.....	201
Manutenção.....	197	Declaração de conformidade.....	202

Introdução

Finalidade

Esta unidade de potência é uma unidade básica que funciona apenas em conjunto com os acessórios

aprovados; consulte os respectivos acessórios aprovados em *Acessórios na página 201*. Certifique-se de que lê este manual juntamente com o manual de acessórios aprovados.

Vista geral do produto

(Fig. 1)

1. Manual do utilizador
2. Chave sextavada de 4 mm
3. Punho fechado
4. Botão
5. Botão ON/OFF
6. Botão do modo de velocidade
7. Bloqueio do interruptor de alimentação
8. Interface do utilizador
9. Interruptor de alimentação
10. Carregador de bateria (acessório)
11. Indicador de carregamento e de erro no carregador
12. Botões de desengate da bateria
13. Bateria (acessório)
14. Indicador LED do estado de carga
15. LED de aviso
16. Botão indicador da bateria
17. Acoplamento para acessórios

(Fig. 5) Corrente contínua.

(Fig. 6) O produto está em conformidade com as diretivas CE aplicáveis.

(Fig. 7) Este símbolo no produto ou na respetiva embalagem indica que o produto não deve ser tratado como resíduo doméstico comum. Este produto deve ser depositado numa instalação de reciclagem adequada.

(Fig. 8) O produto possui proteção contra salpicos de água.

aaaassxxxx

A etiqueta de tipo apresenta o número de série. **aaaa** é o ano de fabrico, **ss** é a semana de fabrico e **xxxx** é o número sequencial.

Nota: A bateria e o carregador de bateria podem ter um aspeto diferente entre modelos diferentes.

Nota: Os restantes símbolos/autocolantes existentes no produto dizem respeito a exigências para homologação em outras áreas comerciais.

Símbolos no produto

(Fig. 2) **AVISO!** Este produto pode ser perigoso! O uso indevido ou incorreto poderá provocar ferimentos graves ou até mesmo a morte do utilizador ou de outras pessoas. É extremamente importante que leia e compreenda o conteúdo do manual do utilizador. Leia atentamente as instruções do manual do utilizador e certifique-se de que compreende o seu conteúdo antes de utilizar o produto.

(Fig. 3) Desligue a bateria antes da manutenção.

(Fig. 4) Tensão nominal, V

Fabricante

Husqvarna AB
Drottninggatan 2, SE-561 82 Huskvarna, Sweden, tel:
+46-36-146500

Danos no produto

Não somos responsáveis por danos no nosso produto se:

- o produto tiver sido incorretamente reparado.
- o produto tiver sido reparado com peças que não sejam do fabricante ou que não sejam aprovadas pelo fabricante.
- o produto tiver um acessório que não seja do fabricante ou que não seja aprovado pelo fabricante.

- o produto não tiver sido reparado por um centro de assistência autorizado ou por uma autoridade aprovada.

Assistência

Para obter assistência sobre o produto, aceda à secção Assistência em para aceder a instruções, guias de

resolução de problemas ou para utilizar o Self-Service da Husqvarna e o Assistente de produtos (se disponível no seu mercado). Para obter assistência adicional relativamente ao produto, contacte o seu distribuidor com assistência técnica da Husqvarna.

Segurança

Definições de segurança

Os avisos, as precauções e as notas são utilizados para indicar partes especialmente importantes do manual.



ATENÇÃO: Utilizado no caso de existir risco de ferimento ou morte para o utilizador ou transeuntes, se não forem respeitadas as instruções do manual.



CUIDADO: Utilizado se existir risco de danos para o produto, para outros materiais ou para a área adjacente, se não forem respeitadas as instruções do manual.

Nota: Utilizado para disponibilizar informações adicionais necessárias numa determinada situação.

Avisos gerais de segurança da ferramenta eléctrica



ATENÇÃO: Certifique-se de que lê o manual de acessórios aprovados juntamente com este manual de unidades de potência.



ATENÇÃO: Leia todos os avisos de segurança, as instruções, as ilustrações e as especificações fornecidos com esta ferramenta eléctrica. O incumprimento das instruções indicadas abaixo poderá resultar em choques eléctricos, incêndios e/ou ferimentos graves.

Nota: Guarde todos os avisos e instruções para referência futura. O termo "ferramenta eléctrica" nos avisos refere-se à sua ferramenta eléctrica com ligação à corrente (com cabo) ou ferramenta eléctrica com bateria (sem cabo).

Segurança na área de trabalho

- Mantenha a área de trabalho limpa e bem iluminada.** As áreas desarrumadas ou escuras são propícias a acidentes.

- Não utilize máquinas em atmosferas explosivas, tal como na presença de líquidos, gases ou poeiras inflamáveis.** As máquinas criam faíscas que podem inflamar poeiras ou gases.
- Mantenha as crianças e restantes pessoas afastadas durante a utilização de uma máquina.** As distrações podem fazê-lo perder o controlo.

Segurança eléctrica

- As fichas das máquinas têm de corresponder à tomada. Nunca modifique a ficha de qualquer forma. Não utilize quaisquer fichas adaptadoras com máquinas ligadas à terra.** As fichas inalteradas e as tomadas correspondentes reduzem o risco de choque eléctrico.
- Evite o contacto corporal com superfícies ligadas à terra, tais como tubos, radiadores, fogões e frigoríficos.** Existe um risco acrescido de choque eléctrico se o seu corpo estiver em contacto com a terra.
- Não exponha as máquinas a chuva ou a condições de humidade.** A entrada de água numa máquina aumenta o risco de choque eléctrico.
- Não danifique o cabo eléctrico. Nunca utilize o cabo eléctrico para transportar, puxar ou desligar a máquina. Mantenha o cabo eléctrico afastado de fontes de calor, óleo, arestas afiadas ou de peças em movimento.** Os cabos eléctricos danificados ou emaranhados aumentam o risco de choque eléctrico.
- Ao utilizar uma máquina no exterior, utilize uma extensão eléctrica adequada para utilização em exteriores.** A utilização de um cabo eléctrico adequado para utilização no exterior reduz o risco de choque eléctrico.
- Se não puder evitar utilizar uma máquina num local húmido, utilize uma fonte de alimentação com corta-circuito com um dispositivo diferencial residual (RCD).** A utilização de um dispositivo de corrente residual (RCD) reduz o risco de choque eléctrico.

Segurança pessoal

- Mantenha-se em alerta, tenha atenção ao que está a fazer e use o bom senso ao utilizar uma máquina. Não utilize uma máquina se estiver cansado ou sob a influência de drogas, álcool ou medicação.** Um momento de desatenção ao utilizar as máquinas pode resultar em ferimentos pessoais graves.
- Use equipamento de protecção pessoal. Use sempre protecção ocular.** A utilização de equipamento de

proteção como máscara antipoeira, calçado de segurança antiderrapante, capacete ou protetores acústicos nas condições apropriadas irá reduzir os ferimentos pessoais.

- **Prevenção de arranque não intencional. Certifique-se de que o interruptor se encontra na posição de desligado antes de ligar a máquina à fonte de alimentação e/ou à bateria, ou de a pegar ou transportar.** Transportar as máquinas com o dedo no interruptor ou ligar as máquinas à corrente elétrica com o interruptor ligado é um convite aos acidentes.
- **Remova qualquer chave de ajuste ou chave de porcas antes de ligar a máquina.** Uma chave de porcas ou uma chave de ajuste ligada a uma peça em rotação da máquina pode resultar em ferimentos pessoais.
- **Não se debruce. Mantenha o equilíbrio e os pés sempre bem assentes.** Isto permite um melhor controlo da máquina em situações inesperadas.
- **Vista-se adequadamente. Não use peças de roupa soltas ou joias. Mantenha o cabelo e roupas longe de quaisquer peças em movimento.** Roupas soltas, joias ou cabelo comprido podem ser apanhados nas peças em movimento.
- **Se forem fornecidos dispositivos para a ligação de equipamentos de extração e de recolha de poeiras, assegure-se de que estes estão ligados e são utilizados corretamente.** A utilização da recolha de pó pode reduzir os riscos relacionados com as poeiras.
- **Siga sempre os princípios de segurança das máquinas, mesmo que já esteja familiarizado com as mesmas devido a utilização frequente.** Uma ação descuidada pode provocar ferimentos graves numa fração de segundo.

Utilização e manutenção da máquina

- **Não force a máquina. Utilize a máquina adequada à sua aplicação.** A máquina adequada proporcionará melhores resultados e permitirá uma utilização em segurança para os fins a que se destina.
- **Não utilize a máquina se o interruptor não a ligar e desligar.** Qualquer máquina que não possa ser controlada com o interruptor é perigosa e tem de ser reparada.
- **Desligue a ficha da fonte de alimentação elétrica e/ou retire a bateria, se amovível, da máquina antes de efetuar quaisquer ajustes, substituir acessórios ou guardar as máquinas.** Estas medidas de prevenção reduzem o risco de ligar a máquina acidentalmente.
- **Guarde as máquinas que não estão a ser utilizadas fora do alcance das crianças e não permita que pessoas não familiarizadas com as máquinas ou com estas instruções as utilizem.** As máquinas são perigosas nas mãos de utilizadores inexperientes.
- **Efetue a manutenção das máquinas e dos acessórios. Verifique a existência de bloqueios ou de falhas no alinhamento de peças móveis, danos das peças e qualquer outra condição que possa afetar o funcionamento da máquina. Se estiver**

danificada, repare a máquina antes de a utilizar.

Muitos acidentes são causados por máquinas com uma manutenção inadequada.

- **Mantenha as ferramentas de corte afiadas e limpas.** As máquinas de corte com as zonas de corte afiadas e devidamente mantidas têm menos probabilidades de bloquear e são mais fáceis de controlar.
- **Utilize a máquina, acessórios e brocas, etc. de acordo com estas instruções, tendo em consideração as condições de funcionamento e o trabalho a ser executado.** A utilização da máquina para operações diferentes das previstas pode resultar numa situação perigosa.
- **Mantenha os punhos e as superfícies onde se segura secos, limpos e sem óleo nem massa lubrificante.** As superfícies onde se segura e os punhos escorregadios não permitem um controlo e um manuseamento seguros da máquina em situações inesperadas.

Utilização e manutenção da máquina a bateria

- **Recarregue a bateria apenas com o carregador especificado pelo fabricante.** Um carregador adequado para um tipo de bateria pode criar risco de incêndio quando usado com outra bateria.
- **Utilize as máquinas apenas com as baterias especificamente concebidas para as mesmas.** A utilização de quaisquer outras baterias pode criar risco de ferimentos e incêndio.
- **Quando a bateria não está a ser utilizada, mantenha-a afastada de outros objetos metálicos, como clips, moedas, chaves, pregos, parafusos ou outros objetos metálicos pequenos que possam fazer a ligação entre os dois terminais.** Provocar curto-circuitos nos terminais das baterias pode provocar queimaduras ou um incêndio.
- **Em condições extremas, é possível que o líquido da bateria veta; evite o contacto. Se ocorrer algum contacto accidental, lave com água. Se o líquido entrar em contacto com os olhos, procure assistência médica adicional.** O líquido vertido da bateria pode provocar irritações ou queimaduras.
- **Não utilize uma bateria ou máquina que se encontre danificada ou modificada.** As baterias danificadas ou modificadas podem apresentar um comportamento imprevisível que pode resultar em incêndios, explosões ou ferimentos graves.
- **Não exponha uma bateria ou máquina a fogo ou temperaturas excessivas.** A exposição a fogo ou a temperaturas superiores a 130 °C/265 °F pode provocar uma explosão.
- **Siga todas as instruções de carregamento e não carregue a bateria ou a máquina fora do intervalo de temperatura especificado nas instruções.** Os carregamentos impróprios ou a temperaturas fora do intervalo especificado podem danificar a bateria e aumentar o risco de incêndio.

Manutenção

- **Garanta que a manutenção da sua máquina é efetuada por um técnico de reparações qualificado e que utiliza apenas peças de substituição idênticas.** Desta forma, garante a manutenção da segurança da máquina.
- **Nunca efetue a manutenção de baterias danificadas.** A manutenção das baterias deve ser efetuada apenas pelo fabricante ou por prestadores de serviços autorizados.

Outras informações gerais de segurança

- Antes de se deslocar para outra área, desative o produto. Remova sempre a bateria quando passar o produto a outra pessoa.
- Nunca pouse o produto sem o ter desativado e removido a bateria. Não deixe o produto sem supervisão quando este estiver ligado.
- A ferramenta de corte não para imediatamente após o produto ter sido desligado.
- Antes de utilizar o produto e após um impacto, verifique se existem sinais de desgaste ou danos e proceda à respetiva reparação, conforme necessário.
- Se o acessório de corte ficar encravado durante o funcionamento do produto, pare-o e desative-o. Certifique-se de que o acessório de corte para completamente. Remova a bateria antes de limpar, inspecionar ou reparar o produto e/ou o equipamento de corte.
- Verifique o produto antes de o utilizar. Consulte *Dispositivos de segurança no produto na página 194 e Manutenção na página 197*. Não utilize um produto danificado. Efetue as verificações de segurança e cumpra as instruções de manutenção e assistência técnica descritas neste manual.
- Um acessório de corte com defeito pode aumentar o risco de acidentes.
- Verifique a engrenagem quanto à existência de sujidade e fissuras. Remova a relva e as folhas da engrenagem com uma escova. Deve-se usar luvas quando necessário.
- Certifique-se sempre de que os orifícios de ventilação não se encontram obstruídos por detritos.
- Certifique-se de que a cabeça do aparador se encontra totalmente ligada ao aparador.
- Todas as coberturas, proteções e punhos têm de estar montados antes da colocação da máquina em funcionamento.
- Verifique se o produto está em perfeitas condições de funcionamento. Certifique-se de que todas as porcas e os parafusos estão bem apertados.
- Verifique se a cabeça do aparador e a proteção do aparador não apresentam danos e fissuras. Substitua a cabeça do aparador ou a proteção do aparador se tiverem sido sujeitas a impactos ou se apresentarem fissuras. Utilize sempre a proteção recomendada para o acessório de corte específico. Consulte *Especificações técnicas na página 200*.
- Se o utilizador não for cuidadoso ou se o produto for utilizado de forma incorreta, este produto é uma ferramenta perigosa. Este produto pode provocar ferimentos graves ou a morte do utilizador ou terceiros.
- Esta ferramenta não pode ser utilizada por pessoas (incluindo crianças) com capacidades físicas, sensoriais ou mentais reduzidas, ou falta de experiência e conhecimentos, exceto se sob vigilância ou depois de terem recebido instruções acerca do uso da mesma por parte de alguém responsável pela sua segurança. As crianças devem ser vigiadas para garantir que não brincam com a ferramenta.
- Nunca permita que uma criança utilize a máquina ou se encontre na proximidade da mesma. Uma vez que a máquina se liga facilmente, as crianças podem conseguir ligá-la se não forem vigiadas em permanência. Isto pode implicar um risco de ferimentos graves. Por isso, desligue a bateria quando a máquina não estiver sob vigilância.
- Não permita em circunstância alguma que uma criança ou outras pessoas que não saibam utilizar o produto e/ou a bateria o utilizem ou realizem operações de manutenção.
- Armazene o equipamento numa área que possa ser trancada, de modo a mantê-lo fora do alcance de crianças e pessoas não autorizadas.
- Utilize sempre a cobertura de transporte para o armazenamento e o transporte.
- Mantenha as mãos e os pés sempre afastados da área de corte, especialmente quando ligar o motor.
- Mantenha as mãos e os pés afastados do acessório de corte até que este pare completamente quando o produto é desativado.
- Não remova nem deixe que outras pessoas removam o material cortado com o produto ativo ou com o equipamento de corte em rotação, pois tal poderá resultar em ferimentos graves.
- Esteja consciente de que, enquanto utilizador, é o responsável por evitar expor pessoas e bens a situações que possam representar perigo de danos pessoais ou materiais.
- Não é permitido modificar, em circunstância alguma, a configuração original do produto sem a autorização expressa do fabricante. Utilize sempre acessórios originais. A realização de modificações e/ou a utilização de acessórios não autorizados podem provocar ferimentos pessoais graves ou perigo de vida para o utilizador ou terceiros. A garantia pode não abranger responsabilidades ou danos provocados pela utilização de peças de substituição ou acessórios não autorizados.
- Os únicos acessórios que pode utilizar com este produto são os acessórios de corte recomendados no capítulo Acessórios. Consulte *Acessórios na página 201*.
- Nunca utilize um produto cujas especificações originais tenham sido alteradas.

- Nunca utilize um produto defeituoso. Efetue as verificações de segurança e cumpra as instruções de manutenção e assistência técnica contidas neste manual. Alguns serviços de manutenção e de assistência técnica têm de ser executados por especialistas formados e qualificados. Consulte as instruções na secção Manutenção.
- Trabalhar em más condições meteorológicas é cansativo e muitas vezes traz riscos acrescidos. Devido ao risco acrescido, não se recomenda a utilização da máquina em condições meteorológicas adversas, por exemplo, nevoeiro denso, chuva intensa, ventos fortes, frio intenso ou risco de trovoada, etc.
- Nunca trabalhe de uma escada, banco ou qualquer outra posição elevada, que não seja completamente segura.
- Armazene ferramentas inativas no interior – quando não estão a ser utilizadas, as ferramentas devem ser armazenadas no interior
- Não é possível cobrir todas as situações possíveis que poderá enfrentar. Seja sempre cuidadoso e use o senso comum. Evite todas as situações que considere estarem para além das suas capacidades. Caso se sinta inseguro acerca dos procedimentos de operação depois de ler estas instruções, consulte um perito antes de prosseguir.
- Certifique-se de que não existem pessoas ou animais a uma distância inferior a 15 metros (50 pés) enquanto trabalha. Sempre que vários utilizadores se encontrem a trabalhar em simultâneo no mesmo local, a distância de segurança deve ser, no mínimo, de 15 m (50 pés). Caso contrário, existe um risco de ferimentos graves. Pare imediatamente o produto se alguém se aproximar. Nunca balance o produto à sua volta sem verificar se está alguém na zona de segurança.
- Certifique-se de que não existem pessoas, animais ou outras coisas que possam afetar o seu controlo do produto, ou que estes não entrem em contacto com o acessório de corte ou objetos soltos que possam ser projetados pelo acessório de corte. Contudo, não utilize o produto num local em que não seja possível pedir ajuda em caso de acidente.
- Certifique-se de que pode andar e estar de pé com segurança. Tenha cuidado com eventuais obstáculos (raízes, pedras, ramos, valas, etc.) em caso de deslocamento inesperado. Tenha muito cuidado ao trabalhar em terreno inclinado.
- Caminhe, nunca corra.
- Inspeccione a área de trabalho. Remova todos os objetos soltos, como pedras, vidros partidos, pregos, arame, cordas, etc., que possam ser arremessados ou enredar-se na cortadora ou na respetiva proteção.
- Durante a operação de corte, tome cuidado com galhos que possam ser projetados. Não efetue cortes demasiado junto ao solo onde existam pedras e outros objetos que possam ser projetados.
- Certifique-se de que o vestuário ou partes do corpo não entrem em contacto com o acessório de corte quando o produto está ativo. Mantenha o produto abaixo do nível da cintura.
- Atenção a objetos arremessados. Utilize sempre proteção ocular aprovada. Nunca se incline sobre a proteção do acessório de corte. Pedras, lixo, etc., podem ser arremessados contra os olhos, o que pode causar cegueira ou ferimentos graves.
- Quando estiver a utilizar protetores acústicos, esteja atento a sinais de aviso ou gritos. Remova sempre os protetores acústicos assim que o produto parar.
- Se ocorrerem quaisquer vibrações inesperadas, faça sair fio novo para que o fio tenha o comprimento correto para parar as vibrações.
- Se o produto começar a vibrar de forma anormal, pare-o e remova a bateria.
- A sobre-exposição a vibrações pode levar a lesões arteriais ou nervosas em pessoas com má circulação sanguínea. Consulte um médico em caso de sintomas relacionados com a sobre-exposição a vibrações. Alguns desses sintomas são entorpecimento, perda de sensibilidade, formigamento, pontadas, dor, perda de força, alterações na cor ou condição da pele. Estes sintomas surgem normalmente nos dedos, nas mãos ou nos pulsos.
- Segure sempre o produto com as duas mãos. Mantenha o produto do lado direito do seu corpo.

Equipamento de proteção pessoal



ATENÇÃO: Leia as instruções de aviso que se seguem antes de utilizar o produto.

- Utilize sempre equipamento de proteção pessoal aprovado ao utilizar o produto. O equipamento de proteção pessoal não previne totalmente os ferimentos mas diminui a respetiva gravidade em caso de acidente. Obtenha ajuda junto do seu concessionário para selecionar o equipamento certo.
- Utilize um capacete de proteção caso exista o risco de objetos em queda.
- Utilize protetores acústicos aprovados com suficiente insonorização. A exposição prolongada a ruídos pode provocar danos auditivos permanentes.
- Utilize proteção ocular aprovada. Mesmo com viseira, é necessário utilizar óculos de proteção aprovados. É necessário que os óculos de proteção aprovados estejam em conformidade com a norma ANSI Z87.1 nos EUA ou a norma EN 166 nos países da UE.
- Utilize uma viseira para proteger o rosto. Uma viseira não é suficiente para proteger os olhos. (Fig. 9)
- Use luvas sempre que necessário, por exemplo, ao fixar, examinar ou limpar o acessório de corte.
- Use botas estáveis e antidesclizantes.

- Utilize vestuário fabricado com um tecido resistente. Utilize sempre calças e mangas compridas grossas. Não utilize vestuário largo que possa ficar preso em galhos e ramos. Não utilize joias, calções, nem ande de sandálias ou descalço. Coloque o seu cabelo acima dos ombros para maior segurança.

(Fig. 10)

- Mantenha equipamentos de primeiros socorros sempre à mão.

(Fig. 11)

Dispositivos de segurança no produto



ATENÇÃO: Leia as instruções de aviso que se seguem antes de utilizar o produto.

Nesta secção, descrevem-se as características de segurança do produto, a sua função e ainda a forma de efetuar a verificação e manutenção para garantir o funcionamento correto do mesmo. Consulte as instruções na secção *Introdução na página 189* para conhecer a localização destas peças no seu produto.

Se a manutenção do produto não for devidamente efetuada, e se a assistência e/ou as reparações não forem realizadas por profissionais, a vida útil do produto pode ser afetada e o risco de acidentes pode aumentar. Para obter mais informações, contacte o seu distribuidor local.



ATENÇÃO: Nunca utilize um produto com componentes de segurança danificados. O equipamento de segurança do produto tem de ser inspecionado e a sua manutenção feita conforme se descreve nesta secção. Se o produto falhar alguma destas verificações, entre em contacto com uma oficina autorizada para a sua reparação.



CUIDADO: Todos os trabalhos de manutenção e reparação da máquina requerem formação especializada. Isto aplica-se especialmente ao equipamento de segurança da máquina. Se a máquina falhar alguma das verificações que se seguem, é necessário contactar a sua oficina autorizada. A compra de qualquer um dos nossos produtos garante-lhe a obtenção de reparação e assistência profissionais. Se o local da compra da máquina não for um dos nossos distribuidores com assistência técnica, solicite a morada do agente de assistência mais próximo.

Verificar a interface do utilizador

1. Prima continuamente o botão ON/OFF (A). (Fig. 12)

- a) O produto está ligado quando o visor (B) se acender.
- b) O produto está desligado quando o visor se apagar.

2. Se o indicador de aviso no visor se acender ou ficar intermitente, consulte *Teclado na página 198*.

Verificar o bloqueio do interruptor de alimentação

O bloqueio do interruptor de alimentação foi concebido para evitar a respetiva ativação involuntária. Se pressionar o bloqueio do interruptor de alimentação para a frente (A) e, em seguida, premir o bloqueio do interruptor de alimentação contra o punho (B), o interruptor de alimentação (C) é solto. Quando solta o punho, o interruptor de alimentação e o respetivo bloqueio regressam às respetivas posições originais. Este movimento é ativado por três sistemas de molas independentes entre si.

(Fig. 13)

1. Certifique-se de que o interruptor de alimentação está bloqueado quando o bloqueio se encontra na respetiva posição original. (Fig. 14)
2. Pressione o bloqueio do interruptor de alimentação para a frente (A) e para baixo. Mantenha o bloqueio do interruptor de alimentação contra o punho (B) e certifique-se de que este regressa à respetiva posição original quando o soltar. (Fig. 15)
3. Certifique-se de que o interruptor de alimentação e o respetivo bloqueio se deslocam livremente e de que as molas de retorno funcionam corretamente. (Fig. 16)
4. Prima continuamente o botão ON/OFF para LIGAR o produto.
5. Prima totalmente o interruptor de alimentação para aplicar a velocidade máxima.
6. Solte o interruptor de alimentação e certifique-se de que o funcionamento do acessório de corte é interrompido e de que este permanece parado.

Instruções de segurança para montagem



ATENÇÃO: Leia este manual de unidades de potência juntamente com o manual de acessórios aprovados.

- Retire a bateria do produto antes de o montar.
- Utilize luvas de proteção aprovadas.
- Uma proteção danificada ou desadequada pode causar ferimentos. Não utilize um acessório de corte que não tenha uma proteção aprovada.
- Certifique-se de que instala corretamente a cobertura e o eixo antes de ligar o produto.
- Se for fornecida uma correia com o acessório, esta tem de ser corretamente fixada ao produto. A

correia torna a operação segura e evita ferimentos no operador ou noutras pessoas.

Segurança da bateria



ATENÇÃO: Leia as instruções de aviso que se seguem antes de utilizar o produto.

- Utilize apenas baterias Husqvarna aprovadas. Consulte *Baterias aprovadas na página 200*. As baterias contêm software encriptado.
- Utilize baterias Husqvarna aprovadas como fonte de alimentação apenas para os produtos Husqvarna relacionados. Para evitar ferimentos, não utilize a bateria como fonte de alimentação para outros produtos.
- Risco de choque elétrico. Não ligue os terminais da bateria a chaves, moedas, parafusos ou outros metais. Caso contrário, pode provocar um curto-circuito da bateria.
- Não utilize baterias não recarregáveis.
- Não coloque objetos nas aberturas de ventilação da bateria.
- Mantenha a bateria afastada do sol, calor ou de chamas abertas. A bateria pode causar queimaduras e/ou queimaduras químicas.
- Mantenha a bateria afastada de chuva e condições de humidade.
- Mantenha a bateria afastada de micro-ondas e alta pressão.
- Não tente desmontar ou partir a bateria.
- Em caso de fuga da bateria, evite o contacto do líquido com a pele ou com os olhos. Em caso de contacto com o líquido, limpe a área com água e sabão abundantes e procure assistência médica. Se o líquido entrar em contacto com os olhos, não os esfregue; lave os olhos com água durante, pelo menos, 15 minutos e procure assistência médica.
- Utilize a bateria a temperaturas entre -10 °C (14 °F) e 40 °C (114 °F).
- Não limpe a bateria nem o carregador de bateria com água. Consulte *Limpar o produto, a bateria e o carregador da bateria na página 198*.
- Não utilize uma bateria que esteja danificada ou que não funcione corretamente.
- Mantenha as baterias armazenadas afastadas de objetos metálicos como, por exemplo, pregos, parafusos ou joias.
- Mantenha as baterias afastadas de crianças.

Segurança do carregador de bateria



ATENÇÃO: Leia as instruções de aviso que se seguem antes de utilizar o produto.

- Risco de choque elétrico ou curto-circuito se as instruções de segurança não forem cumpridas.

- Não utilize outros carregadores de baterias que não o fornecido para o seu produto. Utilize apenas carregadores de bateria aprovados da Husqvarna para carregar baterias Husqvarna aprovadas. Consulte *Especificações técnicas na página 200* para obter instruções.
- Não tente desmontar o carregador de bateria.
- Não utilize um carregador de bateria danificado ou que não funcione corretamente.
- Não utilize o cabo de alimentação para levantar o carregador de bateria. Para desligar o carregador de bateria de uma tomada elétrica, puxe a ficha. Não puxe o cabo de alimentação.
- Mantenha todos os cabos e cabos de extensão afastados de água, óleo e arestas afiadas. Certifique-se de que o cabo não fica entalado em objetos como, por exemplo, portas, cercas ou objetos equivalentes.
- Não utilize o carregador de bateria próximo de materiais inflamáveis ou materiais que possam provocar corrosão. Certifique-se de que o carregador de bateria não está coberto. Em caso de fumo ou fogo, desligue o carregador de bateria da tomada.
- Carregue a bateria apenas em espaços interiores, com um bom fluxo de ar e sem exposição à luz solar. Não carregue a bateria no exterior. Não carregue a bateria em condições de humidade.
- Utilize apenas o carregador de bateria onde a temperatura se encontrar entre 5 °C (41 °F) e 40 °C (104 °F). Utilize o carregador em ambientes bem ventilados, secos e isentos de poeiras.
- Não coloque objetos nas aberturas de arrefecimento do carregador de bateria.
- Não ligue os terminais do carregador de bateria a objetos metálicos, uma vez que pode provocar um curto-circuito no carregador de bateria.
- Utilize tomadas de parede aprovadas e que não se encontrem danificadas. Certifique-se de que o cabo do carregador de bateria não está danificado. Se forem utilizados cabos de extensão, certifique-se de que os mesmos não estão danificados.

Instruções de segurança para manutenção



ATENÇÃO: Leia as instruções de aviso que se seguem antes de efetuar tarefas de manutenção no produto.

- Retire a bateria antes de efetuar tarefas de manutenção, outras verificações, ou de montar o produto.
- O operador só pode efetuar as tarefas de manutenção e assistência descritas neste manual do utilizador. Contacte o seu revendedor com assistência técnica para tarefas de manutenção e assistência de maior extensão.

- Não limpe a bateria ou o carregador com água. Os detergentes fortes podem danificar o plástico.
- Se não proceder à manutenção, irá diminuir o ciclo de vida do produto e aumentar o risco de acidentes.
- É necessária formação especializada para todos os trabalhos de assistência e reparação, especialmente para os dispositivos de segurança do produto. Se, após efetuar tarefas de manutenção, nem todas

as verificações deste manual forem aprovadas, contacte o seu revendedor com assistência técnica. Garantimos que existem reparações e assistência profissionais disponíveis para o seu produto.

- Utilize sempre peças sobresselentes originais.
- Utilize sempre luvas resistentes durante trabalhos de reparação do equipamento de corte. As lâminas são muito afiadas e podem causar facilmente cortes.

Montagem

Montar o punho fechado

1. Fixe o punho fechado ao eixo entre as setas. Não coloque o punho fechado ou o anel de suspensão na etiqueta. (Fig. 17)
2. Introduza o espaçador na ranhura do punho fechado.
3. Fixe a porca, o botão e o parafuso, mas não aperte.
4. Ajuste o produto para que fique numa posição confortável.
5. Aperte o parafuso.

Montar o eixo de duas peças

1. Rode o botão para desapertar o acoplamento. (Fig. 18)
2. Alinhe a lingueta (A) com a seta (B) no acoplamento. (Fig. 19)
3. Empurre o eixo para o acoplamento até encaixar no devido lugar. (Fig. 20)
4. Aperte o botão totalmente. (Fig. 21)

Desmontar o eixo de duas peças

1. Rode o botão três voltas para desapertar o acoplamento. (Fig. 22)
2. Carregue e mantenha o botão (C).
3. Segure firmemente na extremidade do eixo ao qual o motor está fixado.
4. Puxe o acessório para fora do acoplamento. (Fig. 23)

Instalar o anel de suspensão, se aplicável

1. Instale o anel de suspensão entre as setas no punho traseiro e o punho fechado. (Fig. 24)

Nota: Não coloque o punho fechado sobre o autocolante.

2. Ajuste o anel de forma a que o produto fique equilibrado e seja fácil de utilizar.

Funcionamento

Introdução



ATENÇÃO: Certifique-se de que lê e compreende o capítulo sobre segurança antes de usar o produto.

Husqvarna Connect

A Husqvarna Connect é uma aplicação gratuita para o seu dispositivo móvel. A aplicação Husqvarna Connect disponibiliza funções alargadas para o seu produto Husqvarna.

- Informações alargadas sobre o produto.
- Informações sobre, e ajuda relacionada com peças e manutenção do produto.

Começar a utilizar o Husqvarna Connect

1. Transfira a aplicação Husqvarna Connect para o seu dispositivo móvel.
2. Registe-se na aplicação Husqvarna Connect.

3. Siga os passos das instruções na aplicação Husqvarna Connect para ligar e registar o produto.

Nota: A aplicação Husqvarna Connect não está disponível para transferência em todos os mercados. Para mais informações, contacte o revendedor com assistência técnica.

Para encaixar a bateria no produto



ATENÇÃO: Utilize apenas baterias Husqvarna originais no produto.

1. Certifique-se de que a bateria está completamente carregada.
2. Empurre a bateria para o suporte da bateria do produto. A bateria bloqueia na posição pretendida quando se ouve um clique. (Fig. 25)



CUIDADO: Se a bateria não se mover com facilidade no suporte da bateria, significa que não está instalada corretamente. Caso contrário, pode causar danos no produto.

3. Certifique-se de que a bateria está instalada corretamente.

Carregar a bateria

Nota: Carregue a bateria se se tratar da primeira vez que a utiliza. Uma bateria nova tem apenas 30% de carga.

1. Certifique-se de que a bateria está seca.
2. Coloque a bateria no carregador da bateria. (Fig. 26)

Nota: A bateria e o carregador de bateria podem ter um aspeto diferente entre modelos diferentes, mas o procedimento é o mesmo.

3. Certifique-se de que a luz verde de carga do carregador de bateria se acende. Isso significa que a bateria se encontra corretamente ligada ao carregador de bateria.
4. A bateria está totalmente carregada quando todos os LED se acenderem. (Fig. 27)
5. Para desligar o carregador de bateria da tomada de parede, puxe a ficha. Não puxe o cabo.
6. Remova a bateria do carregador de bateria.

Nota: Consulte os manuais da bateria e do carregador de bateria para obter mais informações.

Posições de trabalho

- Segure o produto com as 2 mãos.
- Mantenha o produto do lado direito do seu corpo.
- Tenha o equipamento de corte abaixo do nível da cintura.
- Mantenha o corpo afastado das superfícies quentes.
- Mantenha o corpo afastado do equipamento de corte.

Antes de utilizar o produto

- Examine a área de trabalho para se certificar de que conhece o tipo de terreno, a inclinação do solo e

a existência de obstáculos como pedras, ramos e valas.

- Efetue uma inspeção de revisão do produto.
- Efetue as inspeções de segurança, manutenção e assistência fornecidas neste manual.
- Certifique-se de que todas as coberturas, proteções, punhos e acessórios estão devidamente instalados e que não apresentam danos.

Ligar o produto

1. Prima continuamente o botão ON/OFF até que o LED verde se acenda. (Fig. 28)
2. Utilize o interruptor de alimentação para controlar a velocidade.

Limitar a velocidade máxima com o botão de modo

O produto possui um botão de modo. Através do botão de modo, o utilizador pode limitar a velocidade máxima. O botão de modo tem 3 níveis de velocidade. Um nível inferior aumenta o tempo de funcionamento do produto. O botão de modo tem 3 níveis de velocidade. Um nível inferior aumenta o tempo de funcionamento do produto. Utilize os níveis 1 e 2 se o funcionamento não requerer a velocidade/potência máxima. Se a condição de funcionamento exigir a velocidade máxima/potência máxima, utilize o nível 3. Não utilize um nível superior ao necessário para a utilização.

1. Prima o botão de modo para definir um limite para a velocidade máxima. Os LED brancos acendem-se para indicar que a função está ativa. (Fig. 29)
2. Prima novamente o botão de modo para selecionar o nível de velocidade seguinte.

Função de desativação automática

O produto possui uma função de desativação automática que DESLIGA o produto caso este não seja utilizado durante 3 minutos.

Parar o produto

1. Solte o interruptor de alimentação ou o bloqueio do interruptor de alimentação.
2. Prima o botão ON/OFF. (Fig. 30)
3. Prima os botões de desengate da bateria e puxe a bateria para fora. (Fig. 31)

Manutenção

Introdução



ATENÇÃO: Antes de efetuar qualquer tarefa de manutenção, tem de ler e compreender o capítulo sobre segurança.



ATENÇÃO: Remova a bateria antes de efetuar a manutenção.

A seguinte lista de tarefas de manutenção tem de ser realizada no produto. Para além da manutenção especificada no plano de manutenção, leve o produto regularmente a um distribuidor com assistência

técnica da Husqvarna para efetuar a manutenção. Para obter informações relativamente aos intervalos de manutenção, contacte o seu revendedor com assistência técnica da Husqvarna.

Manutenção	Diariamente	Semanalmente	Mensalmente
Limpe as peças externas do produto com um pano seco. Não utilize água.	X		
Verifique se o botão de alimentação funciona corretamente e não está danificado.	X		
Certifique-se de que o interruptor de alimentação e o bloqueio do interruptor de alimentação funcionam corretamente e com segurança.	X		
Certifique-se de que todos os controlos funcionam e não estão danificados.	X		
Mantenha os punhos secos, limpos e sem óleo nem massa lubrificante.	X		
Certifique-se de que os parafusos e as porcas estão apertados.	X		
Certifique-se de que os botões de desengate da bateria funcionam e fixam a bateria no produto.	X		
Certifique-se de que a bateria não está danificada.	X		
Certifique-se de que a bateria está carregada.	X		
Certifique-se de que o carregador de bateria não está danificado e que funciona corretamente.	X		
Examine todos os cabos, acoplamentos e ligações. Certifique-se de que não estão danificados e que estão limpos.		X	
Verifique as ligações entre a bateria e o produto. Verifique a ligação entre a bateria e o carregador de bateria.			X

Limpar o produto, a bateria e o carregador da bateria

1. Limpe o produto com um pano seco após a utilização.
2. Limpe a bateria e o carregador da bateria com um pano seco. Mantenha as calhas de guia da bateria limpas.
3. Certifique-se de que os terminais da bateria e do carregador da bateria se encontram limpos antes de colocar a bateria no carregador da bateria ou no produto.

Eixo de duas peças

Aplique massa lubrificante na extremidade do eixo motriz após cada 30 horas de funcionamento. Nos modelos divisíveis, corre-se o risco de que as extremidades do eixo motriz (juntas estriadas) fiquem agarradas se não forem lubrificadas a intervalos regulares. (Fig. 32)

Resolução de problemas

Teclado

Ecrã LED	Avarias possíveis	Ação possível
LED verde ativado intermitente	Tensão da bateria baixa.	Carregue a bateria.

Ecrã LED	Avarias possíveis	Ação possível
LED vermelho de erro intermitente	Sobrecarga.	O equipamento de corte está encravado; desative o produto. Retire a bateria. Limpe o equipamento de corte de materiais indesejados.
	Desvio de temperatura.	Deixe o produto arrefecer.
	O interruptor de alimentação e o botão de activação devem ser premidos ao mesmo tempo.	Solte o interruptor de alimentação para que o produto esteja ativo.
O produto não liga	Sujidade nos conetores da bateria.	Limpe os conetores da bateria com ar comprimido ou um pincel macio.
LED de erro com luz vermelha acesa	O produto precisa de manutenção.	Contacte a sua oficina de assistência técnica.

Transporte, armazenamento e eliminação

Transporte e armazenamento

- As baterias de íões de lítio fornecidas cumprem os requisitos da legislação sobre mercadorias perigosas.
- Cumpra o requisito especial sobre a embalagem e as etiquetas de transporte comercial, incluindo por terceiros e agentes transitários.
- Contacte uma pessoa com formação específica em material perigoso antes de enviar o produto. Cumpra todos os regulamentos nacionais aplicáveis.
- Utilize fita em contactos abertos quando colocar a bateria numa embalagem. Coloque a bateria na embalagem de forma fixa para impedir movimentos.
- Remova sempre a bateria para armazenamento ou transporte.
- Coloque a bateria e o carregador de bateria num espaço seco e sem humidade ou gelo.
- Não armazene a bateria numa área onde possa existir eletricidade estática. Não armazene a bateria numa caixa metálica.
- Armazene a bateria num local onde a temperatura varie entre 5 °C e 25 °C e afastado da exposição à luz solar.
- Armazene o carregador de bateria num local onde a temperatura varie entre 5 °C e 45 °C e afastado da exposição à luz solar.
- Utilize o carregador de bateria apenas quando a temperatura ambiente se encontrar entre os 5 °C e os 40 °C.
- Carregue a bateria entre 30% a 50% antes de a armazenar durante longos períodos de tempo.
- Armazene o carregador de bateria num espaço fechado e seco.
- Mantenha a bateria afastada do carregador de bateria durante o armazenamento. Não permita que crianças e outras pessoas não autorizadas entrem em contacto com o equipamento. Mantenha o equipamento num espaço que possa trancar.
- Antes de armazenar o produto durante longos períodos de tempo, limpe-o e efetue uma manutenção completa do mesmo.
- Utilize a proteção para transporte no produto para evitar ferimentos ou danos no produto durante o transporte e o armazenamento.
- Fixe o produto em segurança durante o transporte.

Eliminação da bateria, do carregador da bateria e do produto

Os símbolos no produto ou na respetiva embalagem indicam que o produto não é resíduo doméstico. Recicle o equipamento numa estação de reciclagem para equipamentos elétricos e eletrónicos. Isto ajuda a evitar danos no ambiente e em pessoas.

Contacte as autoridades locais, o serviço de recolha de resíduos domésticos ou o seu concessionário para obter mais informações sobre como reciclar o seu produto.

Especificações técnicas

Especificações técnicas

	325iLK
Motor	
Tipo de motor	BLDC (sem escovas) 36 V
Velocidade do eixo de saída, rpm	8400
Peso	
Peso (apenas unidade de alimentação), kg	2,9
Emissões de ruído ^{105, 106}	
Nível de potência sonora, medido dB (A)	89–103
Nível de potência sonora, garantido L _{WA} dB (A)	90–106
Níveis sonoros ^{107, 108}	
Nível de pressão sonora equivalente junto ao ouvido do utilizador, medido de acordo com a norma EN 62841-1, dB(A):	78–93
Níveis de vibração ^{109, 110}	
Níveis de vibração nos punhos, medidos de acordo com a norma EN 62841-1, m/s ²	1,3–5,5/1,1–3,1

Baterias aprovadas

Bateria	BLI200	40-B220X
Tipo	lões de lítio	lões de lítio
Capacidade da bateria, Ah	5,2	6,0
Tensão nominal, V	36	36

¹⁰⁵ Emissões de ruído para as imediações, medidas sob forma de potência sonora (LWA) em conformidade com a diretiva da CE 2000/14/CE. O nível de potência sonora registado para a máquina foi medido com o equipamento de corte original que debita o nível mais alto. A diferença entre a potência sonora garantida e medida é que a potência sonora garantida inclui também a dispersão no resultado da medição e as variações entre diferentes máquinas do mesmo modelo, de acordo com a diretiva 2000/14/CE.

¹⁰⁶ A gama de ruído indica os valores medidos, do mais baixo ao mais elevado.

¹⁰⁷ Os dados comunicados relativamente ao nível de pressão sonora para a máquina têm uma dispersão estatística típica (desvio padrão) de 3 dB(A) e foram medidos com o acessório original que debita o nível mais alto.

¹⁰⁸ A gama de ruído indica os valores medidos, do mais baixo ao mais elevado.

¹⁰⁹ Os dados comunicados relativamente ao nível de vibração têm uma dispersão estatística típica (desvio padrão) de 2 m/s². Para comparar os níveis de vibrações de produtos a bateria e de combustão, utilize a calculadora de vibrações. <https://www.husqvarna.com/pt/servicos-solucoes/calculadora-vibracoes/>.

¹¹⁰ A gama de ruído indica os valores medidos, do mais baixo ao mais elevado.

Bateria	BLi200	40-B220X
Peso, kg (lb)	1,3 (2,9)	1,4 (3,1)

Carregadores de bateria aprovados

Carregador de bateria	QC330	40-C500X
Tensão de entrada, V	100-240	100-240
Frequência, Hz	50-60	50-60
Potência, W	330	500

Acessórios

Acessórios

Acessórios aprovados	Número do acessório¹¹¹	Grupo de acessórios¹¹²	Aplicado em
Acessório de roçadora BCA850	1	1-10	325iLK
Acessório de soprador BA101	11	11-20	325iLK
Acessório de aparador ECA850	21	21-30	325iLK
Acessório de aparador ESA850	22	21-30	325iLK
Acessório de corta-sebes HA860	32	31-40	325iLK
Acessório de podadora com vara PAX730	41	41-50	325iLK
Acessório de podadora com vara PAX1100	42	41-50	325iLK
Acessório de serra PA1100	43	41-50	325iLK
Acessório varredor para limpeza SR600-2	51	51-60	325iLK
Acessório de escova dura BR600	52	51-60	325iLK
Acessório de escafificador DT600	53	51-60	325iLK
Acessório de cultivador CA230	54	51-60	325iLK
Acessório reciprocador RA850	2	1-10	525iLK

¹¹¹ Este é um número específico de um acessório aprovado incluído num grupo de acessórios.

¹¹² Os acessórios aprovados estão divididos em grupos de acessórios. Cada grupo de acessórios tem características e autocolantes semelhantes.

Declaração de conformidade

Declaração UE de conformidade

A **Husqvarna AB**, SE-561 82 Huskvarna, Suécia,
tel.: +46-36-146500, declara, sob sua inteira
responsabilidade, que o produto:

Descrição	Unidade de potência a bateria (aparador de relva)
Marca	Husqvarna
Tipo/Modelo	325iLK (unidade básica)
Identificação	Os números de série referentes a 2024 e posteriores

estão em plena conformidade com as seguintes
diretivas e regulamentos da UE:

Diretiva/Regulamen- to	Descrição
2006/42/CE	"relativa a máquinas"
2014/30/UE	"relativa à compatibilidade eletromagnética"
2011/65/UE	"relativa à restrição de substâncias perigosas"
2000/14/CE	"relativa ao ruído exterior"

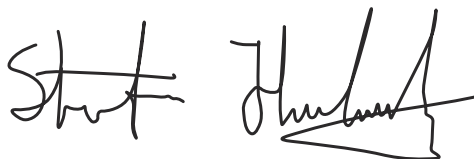
e que as seguintes normas e/ou
especificações técnicas são aplicadas: EN ISO
12100:2010, EN 62841-1:2015+AC:2015+A11:2022, EN
62841-4-2:2019+A11:2022+A1:2022, IEC 62841-4-4:
2020+A1:2024, IEC 62841-4-6:2022, ISO 11449:1994,
EN ISO 11680-1:2021, EN 61000-6-3:2007+A1:2011,
EN 61000-6-1:2016, EN IEC 63000:2018.

A SMP Svensk Maskinprovning AB, Box 4053, SE-904
03 Umeå, Sweden efetuou um exame de tipo voluntário,
de acordo com o anexo IX da Diretiva 2006/42/CE. N.º
de certificado: SEC/24/2593.

Entidade competente: A SMP Svensk Maskinprovning
AB, também verificou a conformidade com o anexo V
da Diretiva do Conselho 2000/14/CE. N.º de certificado:
01/1610/013.

Para mais informações sobre as emissões de ruído,
consulte *Especificações técnicas na página 200*.

Huskvarna, 2024-02-01



Stefan Holmberg, diretor de I&D, gestão de tecnologia,
Husqvarna AB, Suécia

Responsável pela documentação técnica



Съдържание

Въведение.....	203	Отстраняване на проблеми.....	214
Безопасност.....	204	Транспортиране, съхранение и изхвърляне.....	214
Монтаж.....	211	Технически данни.....	215
Операция.....	211	Принадлежности.....	216
Поддръжка.....	213	Декларация за съответствие.....	218

Въведение

Предназначение

Този захранващ блок е блок, който функционира единствено заедно с одобрени приспособления,

вижте тези одобрени приспособления в *Принадлежности на страница 216*. Не забравяйте да прочетете това ръководство, заедно с ръководството на одобрените приспособления.

Общ преглед на продукта

(Фиг. 1)

1. Ръководство за оператора
2. 4 mm шестоъгълен ключ
3. Примкова ръкохватка
4. Бутон
5. Бутон за вкл./изкл.
6. Бутон за режим на скорост
7. Блокировка на захранващия спусък
8. Потребителски интерфейс
9. Захранващ спусък
10. Зарядно устройство за акумулаторни батерии (принадлежност)
11. Индикатор за зареждане и грешка на зарядното устройство
12. Бутони за освобождаване на акумулаторната батерия
13. Акумулаторна батерия (принадлежност)
14. Светодиоден индикатор за състоянието на зареждане
15. Предупредителен светодиод
16. Бутон за индикатора на акумулаторната батерия
17. Съединение за приставка

на ръководството за оператора. Прочетете внимателно ръководството за оператора и се уверете, че разбирате инструкциите, преди да използвате продукта.

(Фиг. 3) Разкачете акумулаторната батерия преди техническо обслужване.

(Фиг. 4) Номинално напрежение, V

(Фиг. 5) Прав ток.

(Фиг. 6) Продуктът е в съответствие с приложимите директиви на ЕО.

(Фиг. 7) Символите върху продукта или неговата опаковка указват, че този продукт не може да бъде третиран като битов отпадък. Този продукт трябва да бъде депониран в съответното депо за рециклиране.

(Фиг. 8) Продуктът е със защита от пръски вода.

Забележка: Акумулаторната батерия и зарядното устройство за акумулаторни батерии могат да изглеждат различно при различните модели.

ууууwxxxx

На табелката с данни е изписан серийният номер. **уууу** е годината на производство, **ww** – седмицата на производство, а **xxxx** – поредният номер.

Символи върху продукта

(Фиг. 2) **ПРЕДУПРЕЖДЕНИЕ!** Този продукт може да бъде опасен! Немарливото или неправилното използване може да доведе до сериозно или смъртоносно нараняване на оператора и заобикалящите го лица. От изключителна важност е да прочетете и разберете съдържанието

Забележка: Останалите символи/стикери на продукта се отнасят до изисквания по отношение на сертификати за други търговски площи.

Производител

Husqvarna AB

Повреда на продукта

Ние не носим отговорност за повреди по нашия продукт, ако:

- продуктът е неправилно ремонтиран.
- продуктът е ремонтиран с части, които не са от производителя или не са одобрени от производителя.
- продуктът има принадлежност, която не е от производителя или не е одобрена от производителя.

- продуктът не е ремонтиран в одобрен сервизен център или от одобрен орган.

Поддръжка

За поддръжка на продукта отидете в раздела за поддръжка в , за да получите достъп до инструкции, ръководства за търсене и отстраняване на неизправности или да използвате функцията за самообслужване на Husqvarna и помощника за продукти (ако се предлагат на Вашия пазар). За допълнителна поддръжка за продукта се обърнете към Вашия сервизен дилър на Husqvarna.

Безопасност

Дефиниции за безопасност

Предупреждения, знаци за внимание и бележки се използват за указване на особено важни части на инструкцията.



ПРЕДУПРЕЖДЕНИЕ: Използва се, ако има опасност от нараняване или смърт за оператора или за околните, ако не се спазват инструкциите в ръководството.



ВНИМАНИЕ: Използва се, ако има опасност от повреждане на машината, други материали или съседната зона, ако не се спазват инструкциите в ръководството.

Забележка: Използва се за предоставяне на повече информация, която е необходима в дадена ситуация.

Общи предупреждения за безопасност за силови инструменти



ПРЕДУПРЕЖДЕНИЕ: Не забравяйте да прочетете ръководството за одобрени приспособления, заедно с ръководството на този захранващ блок.



ПРЕДУПРЕЖДЕНИЕ: Прочетете всички предупреждения за безопасност, инструкции, илюстрации и спецификации, предоставени с този електрически инструмент. Неспазването на всички инструкции, изброени по-долу, може да доведе до електрически удар, пожар и/или сериозно нараняване.

Забележка: Запазете всички предупреждения и инструкции за бъдещи справки. Терминът "електрически инструмент" в предупрежденията се отнася за електрически управлявания (кабелен) електрически инструмент или такъв на батерии (безжичен).

Безопасност на работната площ

- **Поддържайте работната област чиста и добре осветена.** Безпорядък или тъмни площи могат да доведат до злополуки.
- **Не работете с машини в експлозивна атмосфера, като например в присъствието на запалими течности, газове или прах.** Машините създават искри, които могат да възпламят праха или изпаренията.
- **Когато използвате машина, дръжте децата и страничните наблюдатели на разстояние.** Отклоняване на вниманието може да доведе до загуба на контрол.

Електрическа безопасност

- **Щепселите на машината трябва да съответстват на контакта. Никога не променяйте щепсела по какъвто и да било начин. Не използвайте никакви адаптерни щепсели със заземените машини.** Немодифицираните щепсели и съответстващите им изходи ще намалят риска от електрически удар.
- **Избягвайте контакт на тялото със заземените повърхности, като например тръби, радиатори и хладилници.** Има повишен риск от електрически удар, ако Вашето тяло е заземено или замасено.
- **Не излагайте машините на дъжд или влага.** Навлизането на вода в машината ще повиши риска от електрически удар.
- **Не насилвайте шнура. Никога не използвайте шнура за носене, дърпане или изключване на машината от контакта. Дръжте шнура далеч от топлинни източници, масло, остри ръбове или**

движещи се части. Повредените или оплетени шнурове повишават риска от електрически удар.

- **Когато работите с машината навън, използвайте удължителен шнур, който е подходящ за употреба на открито.** Използването на шнур, който е подходящ за употреба на открито, намалява риска от електрически удар.
- **Ако работата с машината на влажно място е неизбежна, използвайте захранване с дефектнотокова защита (RCD).** Използването на RCD намалява риска от електрически удар.

Лична безопасност

- **Бъдете нащрек, внимавайте какво правите и бъдете разсъдливи, когато работите с машина.** Не използвайте машината, когато сте изморени или когато сте под влиянието на наркотици, алкохол или лекарства. Един миг невнимание по време на работа с машините може да доведе до сериозна телесна повреда.
- **Използвайте лични предпазни средства. Винаги носете защита на очите.** Предпазните средства, като респираторна маска, негъралящи се предпазни обувки, твърда каска или защита на слуха, използвани за съответните условия, ще намалят телесните повреди.
- **Не допускате нежелано стартиране. Уверете се, че превключвателят е в изключено положение, преди да свържете машината към източника на захранване и/или акумулаторната батерия, преди да я повдигате или пренасяте.** Носенето на машини с поставен пръст на превключвателя или включването в мрежата на машини с превключвател във включено положение може да доведе до злополуки.
- **Отстранете всички ключове за настройка или гаечни ключове, преди да включите машината.** Гаечен ключ или ключ, който е оставен закрепен към въртяща се част на машината, може да доведе до телесна повреда.
- **Не се протягайте прекалено далеч. Поддържайте стабилна стойка и баланс през цялото време.** Това прави възможен по-добрия контрол над машината в непредвидени ситуации.
- **Обличайте се подходящо. Никога не носете широки дрехи или бижута. Дръжте косата и дрехите си далеч от движещите се части.** Широки дрехи, бижута или дълга коса могат да бъдат захванати от движещите се части.
- **Ако са предоставени устройства за свързване на съдове за изсмукване на прах и съдове за събиране, се уверете, че те са свързани и се използват правилно.** Използването на съдове за събиране на прах може да намали опасностите, свързани с праха.
- **Не позволявайте опитът, придобит от честата употреба на машини, да Ви позволи да станете небрежни и да игнорирате принципите за безопасност при работа с машини.** Небрежното

действие може за части от секундата да причини сериозно нараняване.

Употреба и поддръжка на машината

- **Не упражнявайте силови въздействия върху машината. Използвайте правилната машина за Вашето приложение.** С подходящата машина ще работите най-добре и безопасно, когато го използвате за целта, за която е предназначен от производителя.
- **Не използвайте машината, ако превключвателят не я включва и изключва.** Всяка машина, която не може да се управлява с превключвателя, е опасна и трябва да се ремонтира.
- **Разкачете щепсела от електрическия източник и/или премахнете акумулаторната батерия от машината, ако може да се отстрани, преди да правите каквито и да било настройки, да сменяте принадлежности или да съхранявате машини.** Тези превантивни мерки за безопасност предотвратяват риска машината да бъде включена по невнимание.
- **Съхранявайте неизползваните машини извън досега на деца и не разрешавайте на лица, които не са запознати с машините или с тези инструкции, да работят с тях.** Машините са опасни в ръцете на необучени потребители.
- **Поддържайте машините и принадлежностите.** Проверявайте за неправилно поставяне или застъпване на движещи се части, счупени части или друго състояние, което може да се отрази на работата на машината. Ако машината се повреди, я дайте за ремонт, преди да я използвате. Множество инциденти се причиняват от недостатъчно добре поддържани машини.
- **Поддържайте режещите инструменти остри и чисти.** Правилно поддържаните режещи машини с остри режещи ръбове са по-трудни за огъване и се управляват по-лесно.
- **Използвайте машината, принадлежностите, поставките и т.н. съгласно тези инструкции, като имате предвид условията и естеството на работата, която извършвате.** Използването на машината за операции, различни от тези, за които е предназначена, може да доведе до опасна ситуация.
- **Поддържайте ръкохватките и повърхностите за хващане сухи, чисти и без масло и грес.** Хлъзгавите ръкохватки и повърхности за хващане не позволяват безопасно обслужване и управление на машината в неочаквани ситуации.

Употреба и грижа за машината с акумулаторна батерия

- **Презареждайте само със зарядно устройство, определено от производителя.** Зарядно устройство, което е подходящо за един вид акумулаторна батерия, може да създаде опасност от злополука, когато се използва с друга акумулаторна батерия.

- **Използвайте машините само с предназначенията за тях акумулаторни батерии.** Използването на други акумулаторни батерии може да създаде риск от нараняване и пожар.
- **Когато акумулаторната батерия не е в употреба, я дръжте далеч от други метални предмети, като кламери, монети, ключове, пирони, винтове или други малки предмети, които могат да образуват връзка между едната клема и другата.** Окъсяване на изводите на акумулаторната батерия може да предизвика изгаряния или пожар.
- **При злоупотреба от акумулаторната батерия може да бъде изхвърлена течност – избягвайте димплр.** При възникване на случаен контакт изплакнете с вода. **Ако течността попадне в очите, потърсете допълнителна медицинска помощ.** Течност, изхвърлена от акумулаторната батерия, може да причини раздразнения или изгаряния.
- **Не използвайте акумулаторна батерия или машина, която е повредена или модифицирана.** Повредените или модифицирани акумулаторни батерии могат да имат непредсказуемо поведение, което да доведе до пожар, експлозия или опасност от нараняване.
- **Не излагайте акумулаторна батерия или машина на огън или прекомерна температура.** Излагането на огън или температура над 130°C/265°F може да предизвика експлозия.
- **Следвайте всички инструкции за зареждане и никога не зареждайте акумулаторната батерия или машината извън температурния диапазон, посочен в инструкциите.** Неправилното зареждане или зареждането при температури извън посочения диапазон може да повреди акумулаторната батерия и да увеличи риска от пожар.

Обслужване

- **Машината трябва да се обслужва само от квалифицирано лице по ремонтите и само с идентични резервни части.** Така се гарантира, че ще се запази безопасността на машината.
- **Никога не обслужвайте повредени акумулаторни батерии.** Обслужването на акумулаторни батерии трябва да се извършва само от производителя или оторизирани сервизни доставчици.

Друга обща информация за безопасност

- Дезактивирайте продукта, преди да се преместите на друга площ. Винаги отстранявайте акумулаторната батерия, когато предавате продукта на друго лице.
- Никога не оставяйте продукта на земята, ако преди това не сте го дезактивирали и не сте отстранили акумулаторната батерия. Не оставяйте продукта без надзор, когато е включен.
- Режещият инструмент не спира веднага след изключването на продукта.
- Преди да използвате продукта и след всеки удар, проверете за признаци на износване или повреда и ремонтирайте според необходимостта.
- Ако нещо заседне в режещата приставка, докато работите с продукта, спрете и дезактивирайте продукта. Уверете се, че режещата приставка е напълно спряна. Отстранете акумулаторната батерия преди почистване, проверка или ремонт на продукта и/или режещото оборудване.
- Извършете проверка на продукта преди употреба. Направете справка с *Устройствa за безопасност на продукта на страница 208 и Поддръжка на страница 213*. Не използвайте повреден продукт. Извършете описаните в това ръководство проверки за безопасност, както и инструкциите за техническо обслужване и сервиз.
- Неизправната режеща приставка може да повиши риска от злополуки.
- Проверете предавката за мръсотия и пукнатини. Почистете тревата и листата от предавката, като използвате четка. Трябва да носите ръкавици, когато е необходимо.
- Винаги проверявайте дали вентилационните отвори не са запушени от отпадъци.
- Проверете дали тримерната глава е напълно закрепена към тримера.
- Всички капаци, предпазители и ръкохватки трябва да бъдат монтирани преди започване на работа.
- Проверете дали продуктът е в отлично работно състояние. Проверете дали всички гайки и винтове са затегнати.
- Проверете дали тримерната глава и предпазителят на тримера не са повредени или напукани. Сменете тримерната глава или предпазителя на тримера, ако е бил подложен на удар или по него са се появили пукнатини. Винаги използвайте препоръчания предпазител за конкретната режеща приставка. Направете справка с *Технически данни на страница 215*.
- Този продукт е опасен инструмент, ако не сте внимателни или ако го използвате неправилно. Този продукт може да причини сериозно нараняване или смърт на оператора и други хора.
- Този уред не е предназначен за употреба от лица (включително деца) с намалени физически, сетивни или умствени способности или липса на опит и познания, освен ако не са под надзор или са били инструктирани относно използването на уреда от лице, отговарящо за тяхната безопасност. Децата трябва да бъдат наглеждани, за да е сигурно, че не си играят с уреда.
- Никога не позволявайте на деца да използват машината или да бъдат в близост до нея. Тъй като машината се стартира лесно, децата биха могли да я включат, ако не са под постоянен надзор. Това може да означава риск от сериозна телесна повреда. Поради това разкачайте

- акумулаторната батерия, когато машината не е под пряк надзор.
- Никога не позволявайте на деца или други лица, които не са обучени да използват продукта и/или акумулаторната батерия, да я използват или обслужват.
 - Съхранявайте оборудването в заключващо се място, така че да бъде извън досега на деца или неупълномощени лица.
 - Капакът за транспортиране трябва винаги да се използва за съхранение и транспортиране.
 - Винаги дръжте ръцете и краката далеч от площта за рязане и особено когато включвате двигателя.
 - Дръжте ръцете и краката си далеч от режещата приставка, докато тя не спре изцяло, когато продуктът бъде дезактивиран.
 - Не отстранявайте изрязания материал и не позволявайте на други лица да отстраняват изрязания материал, докато продуктът е активиран или режещото оборудване се върти, тъй като това може да доведе до сериозно нараняване.
 - Не забравяйте, че Вие, оператора, сте отговорни за предпазването на хора или тяхно имущество от нещастни случаи или опасности.
 - При никакви обстоятелства не бива да се нанасят модификации в първоначалната конструкция на продукта без разрешение от производителя. Винаги използвайте оригинални принадлежности. Неразрешени изменения и/или приспособления може да предизвикат сериозни телесни повреди или смъртта на оператора или други лица. Покритието на Вашата гаранция е възможно да не покрива повреди или отговорности за вреди, причинени поради употреба на неоторизирани аксесоари и резервни части.
 - Единствените принадлежности, които можете да използвате с този продукт, са режещите приставки, препоръчани в главата за принадлежностите. Направете справка с *Принадлежностите на страница 216*.
 - Никога не използвайте продукт с модификации на оригиналните технически характеристики
 - Никога не използвайте продукт, който е неизправен. Извършвайте описаните в това ръководство за експлоатация редовни проверки за безопасност, поддръжка и сервис. Определени операции по поддръжката и сервиса се извършват единствено от квалифицирани специалисти. Вижте инструкциите в раздел "Техническо обслужване".
 - Работата в лоши метеорологични условия е уморителна и често води до повишен риск. Поради повишения риск не се препоръчва работа с машината в много лоши метеорологични условия, например при гъста мъгла, силен дъжд, силни ветрове, значителен студ, опасност от светкавици и т.н.
 - Никога не работете от стълба, столче или друго положение на високо, което не е напълно обезопасено.
 - Съхранение на уреди на празен ход на закрито – когато не се използват, уредите трябва да се съхраняват на закрито
 - Невинаги е възможно да се предвиди всяка възможна ситуация, с която можете да се сблъскате. Винаги работете с повишено внимание и се осланяйте на здравия си разум. Избягвайте всички ситуации, в които имате съмнения, че няма да можете да се справите. Ако все още се чувствате несигурни за работните процедури след прочитането на тези инструкции, трябва да се консултирате с експерт, преди да продължите работата.
 - Уверете се, че в радиус от 50 ft (15 m) няма хора или животни, докато работите. Когато няколко оператора работят в една и съща зона, трябва да се спазва безопасно разстояние от поне 50 ft (15 m). В противен случай съществува риск от сериозна телесна повреда. Спрете незабавно продукта, ако някой се приближи. Никога не се обръщайте с продукта, без преди това да проверите зад Вас и да се уверите, че в зоната за безопасност няма никой.
 - Уверете се, че хора, животни или предмети не могат да повлияят на управлението на продукта или да влязат в контакт с режещата приставка или изхвърлени от нея предмети. Никога обаче не използвайте продукта, ако нямате възможност да повикате помощ в случай на злополука.
 - Уверете се, че можете да се движите и да стоите безопасно. Проверете площта около Вас за потенциални препятствия (корени, камъни, клони, канавки и така нататък), в случай че се наложи да се преместите внезапно. Бъдете много предпазливи при работа по наклонен терен.
 - Ходете, никога не тичайте.
 - Проверете работната площ. Отстранете всякакви търкалящи се предмети, като например камъни, счупени стъкла, гвоздеи, стоманени въжета, жици и други, които могат да бъдат подхвърлени или да се омотаят около резеца или предпазителя на резеца.
 - Внимавайте за парчета от клоните, които могат да изхвърчат, докато режете. Не режете прекалено близо до земята, откъдето могат да изхвърчат камъни и други предмети.
 - Уверете се, че никакви дрехи или части от тялото Ви не влизат в контакт с режещата приставка, докато продуктът е активиран. Дръжте продукта под нивото на кръста.
 - Внимавайте за хвърчащи предмети. Винаги носете одобрена защита на очите. Никога не се навеждайте отвъд предпазителя на режещата приставка. В очите Ви могат да попаднат камъни, отпадъци и др., които могат да причинят слепота или сериозно нараняване.

- Бъдете винаги нащрек за предупредителни сигнали или подвиквания, когато носите защита на слуха. Винаги отстранявайте защитата на слуха незабавно след спиране на продукта.
- Ако се появят нежелани вибрации, извадете нова корда, за да коригирате дължината ѝ и да спрете вибрациите.
- Ако продуктът започне да вибрира по необичаен начин, го спрете и отстранете акумулаторната батерия.
- Прекомерното излагане на вибрации може да доведе до поражения върху кръвоносните съдове или нервната система на лица със смущения в кръвообращението. Говорете с Вашия лекар, ако се появят симптоми, които могат да са резултат от прекомерно излагане на вибрации. Такива симптоми са например изтръпване, загуба на чувствителност, "иглички", "бодежи", болки, физическа отпуснатост, промени в цвета или състоянието на кожата. Тези симптоми се появяват обикновено на пръстите, ръцете или китките.
- Винаги дръжте продукта с две ръце. Дръжте продукта отдясно на тялото си.

Лични предпазни средства



ПРЕДУПРЕЖДЕНИЕ: Прочетете следващите предупредителни указания, преди да използвате продукта.

- При работа с продукта винаги използвайте одобрени лични предпазни средства. Личните предпазни средства не изключват изцяло риска от нараняване, но намаляват степента на нараняването при злополука. Нека Вашият доставчик Ви помогне да изберете подходящото оборудване.
- Използвайте защитна каска, когато има риск от падащи предмети.
- Използвайте одобрени антифони, осигуряващи подходящо намаляване на шума. Дълготрайното излагане на шум може да доведе до постоянно влошаване на слуха.
- Използвайте одобрени защитни средства за очите. Ако използвате маска, използвайте също и одобрени защитни очила. Одобрените защитни очила трябва да отговарят на стандарт ANSI Z87.1 за САЩ или EN 166 за страните от ЕС.
- Използвайте визьор за защита на лицето. Визьорът не е достатъчен за предпазване на очите.

(Фиг. 9)

- Когато е необходимо, носете ръкавици, например, когато закрепвате, проверявате или почиствате режещото оборудване.
- Използвайте устойчиви и нехлъзгащи се ботуши.
- Използвайте дрехи, направени от здрава тъкан. Винаги използвайте здрави, дълги панталони и

дълги ръкави. Не носете използвайте дрехи, които могат да се захванат за храсти и клони. Не носете бижута, къси панталони, сандали и не работете боси. Носете косата си безопасно над нивото на рамената.

(Фиг. 10)

- Дръжте в близост комплект за първа помощ.

(Фиг. 11)

Устройства за безопасност на продукта



ПРЕДУПРЕЖДЕНИЕ: Прочетете следващите предупредителни инструкции, преди да използвате продукта.

В този раздел се описва предпазното оборудване на продукта, неговото предназначение и как трябва да се извършват проверки и техническо обслужване, за да се гарантира правилната работа. Вижте инструкциите под заглавието, *Въведение на страница 203* за да разберете къде са разположени тези части по продукта Ви.

Срокът на експлоатация на продукта може да се намали, а рискът от злополуки да се повиши, ако не се извършва правилно техническо обслужване на продукта и сервизното обслужване и/или ремонтите не се извършват професионално. Ако Ви е необходима допълнителна информация, моля, свържете се със сервизния дилър, разположен най-близо до Вас.



ПРЕДУПРЕЖДЕНИЕ: Никога не използвайте продукт с повредени обезопасителни компоненти. Предпазното оборудване на продукта трябва да бъде прегледано и технически обслужвано, както е описано в този раздел. Ако продуктът Ви не премине успешно някоя от тези проверки, се свържете със сервиза си за извършване на ремонт.



ВНИМАНИЕ: Всяко извършване на сервизно обслужване и ремонт на машината изисква специално обучение. Това важи в особена степен за предпазните средства на машината. Обърнете към сервиза си, ако машината не отговаря на описаните по-долу проверки. При покупката на наш продукт ние гарантираме предоставянето на професионални ремонтни услуги и сервиз. Ако търговецът, от когото сте закупили машината, не е сервизен дилър, попитайте за адреса на най-близкия сервиз.

За проверка на потребителския интерфейс

- Натиснете и задръжте бутона за Вкл./изкл. (А). (Фиг. 12)
 - Продуктът е включен, когато дисплеят (В) светне.
 - Продуктът е изключен, когато дисплеят угасне.
- Ако предупредителният индикатор на дисплея свети или мига, направете справка с *Клавиатура на страница 214*.

За проверка на блокировката на захранващия спусък

Блокировката на захранващия спусък е проектирана за предотвратяване на случайно задействане. Когато натиснете блокировката на захранващия спусък напред (А) и след това натиснете блокировката към ръкохватката (В), захранващият спусък (С) се освобождава. Когато освободите ръкохватката, захранващият спусък и блокировката му се връщат в изходни позиции. Това движение се управлява от три независими пружини. (Фиг. 13)

- Уверете се, че захранващият спусък е блокиран, когато блокировката му е в изходна позиция. (Фиг. 14)
- Натиснете блокировката на захранващия спусък напред (А) и надолу. Задръжте блокировката на захранващия спусък към ръкохватката (В) и се уверете, че се връща изходна позиция, когато я освободите. (Фиг. 15)
- Уверете се, че захранващият спусък и блокировката му се движат свободно и че възвратните пружини работят изправно. (Фиг. 16)
- Натиснете и задръжте бутона за Вкл./изкл., за да включите продукта.
- Натиснете захранващия спусък докрай, за да зададете пълни скорост.
- Освободете захранващия спусък и се уверете, че режещата приставка спира и остава неподвижна.

Инструкции за безопасност при монтаж



ПРЕДУПРЕЖДЕНИЕ: Прочетете ръководството на този захранващ блок с ръководството на одобрените принадлежности.

- Отстранете акумулаторната батерия от продукта, преди да монтирате продукта.
- Използвайте одобрените защитни ръкавици.
- Повреденият или неправилният предпазител може да причини нараняване. Не използвайте режеща приставка, която няма закрепен одобрен предпазител.

- Уверете се, че сте сглобили капака и вала правилно, преди да стартирате продукта.
- Ако с приставката се доставя и самар, той трябва да се прикрепи правилно към продукта. Самарът прави работата безопасна и предотвратява наранявания на оператора или други лица.

Безопасност на акумулаторната батерия



ПРЕДУПРЕЖДЕНИЕ: Прочетете следващите предупредителни инструкции, преди да използвате продукта.

- Използвайте само одобрени акумулаторни батерии Husqvarna. Направете справка с *Одобрени акумулаторни батерии на страница 216*. Акумулаторните батерии са шифровани софтуерно.
- Използвайте одобрени акумулаторни батерии Husqvarna като източник на захранване само за свързаните продукти Husqvarna. За да предотвратите нараняване, не използвайте акумулаторната батерия като източник на захранване за други устройства.
- Опасност от електрически удар. Не свързвайте клемите на акумулаторната батерия с ключове, монети, винтове или други метални предмети. Това може да причини късо съединение на акумулаторната батерия.
- Не използвайте непрезареждаеми акумулаторни батерии.
- Не поставяйте предмети във въздушните отвори на акумулаторната батерия.
- Съхранявайте акумулаторната батерия далеч от слънчева светлина, топлина или открит огън. Акумулаторната батерия може да причини изгаряния и/или химически изгаряния.
- Съхранявайте акумулаторната батерия далеч от дъжд или влага.
- Съхранявайте акумулаторната батерия далеч от микровълни и високо налягане.
- Не се опитвайте да разглобите или счупите акумулаторната батерия.
- Ако в акумулаторната батерия има теч, не оставяйте течността да влиза в контакт с тялото или очите. Ако докоснете течността, измийте мястото с голямо количество вода и сапун и потърсете медицинска помощ. Ако в очите Ви попадне течност, не ги търкайте, а ги промийте с вода в продължение на най-малко 15 минути и потърсете медицинска помощ.
- Използвайте акумулаторната батерия при температури между -10°C (14°F) и 40°C (114°F).
- Не почиствайте акумулаторната батерия или зарядното устройство за акумулаторни батерии с вода. Направете справка с *За почистване на*

продукта, батерията и зарядното устройство на страница 213.

- Не използвайте акумулаторна батерия, която е повредена или не работи правилно.
- Съхранявайте акумулаторната батерия далеч от метални предмети, като гвоздеи, винтове или бижута.
- Дръжте акумулаторната батерия далеч от деца.

Инструкции за безопасност за зарядното устройство на акумулаторната батерия



ПРЕДУПРЕЖДЕНИЕ: Прочетете следващите предупредителни инструкции, преди да използвате продукта.

- Ако не се спазват инструкциите за безопасност, има риск от токов удар или късо съединение.
- Не използвайте зарядни устройства, различни от доставеното с машината. Използвайте само одобрени зарядни устройства за акумулаторни батерии Husqvarna за зареждане на одобрени акумулаторни батерии Husqvarna. Инструкции можете да видите в *Технически характеристики на страница 215*.
- Не опитвайте да разглобите зарядното устройство за акумулаторни батерии.
- Не използвайте зарядно устройство за акумулаторни батерии, което е повредено или не работи правилно.
- Не повдигайте зарядното устройство за акумулаторни батерии, като го държите за хранящия шнур. За да изключите зарядното устройство за акумулаторни батерии от стенен контакт, извадете щепсела. Не дърпайте хранящия шнур.
- Дръжте всички кабели и удължителни кабели далеч от вода, масло и остри ръбове. Уверете се, че кабелът не е захванат между предмети, като например врати, огради или подобни.
- Не използвайте зарядното устройство за акумулаторни батерии близо до запалими материали или материали, които могат да причинят корозия. Уверете се, че зарядното устройство за акумулаторни батерии не е покрито. Ако има дим или огън, извадете щепсела на зарядното устройство за акумулаторни батерии.
- Зареждайте акумулаторната батерия само на закрито, на място с добро проветряване и далеч от слънчева светлина. Не зареждайте акумулаторната батерия на открито. Не зареждайте акумулаторната батерия във влажна условия.
- Използвайте зарядното устройство за акумулаторни батерии само при температури

между 5°C (41°F) и 40°C (104°F). Използвайте зарядното устройство за акумулаторни батерии в среда, която е суха, без прах и има добро проветряване.

- Не поставяйте предмети в охлаждащите отвори на зарядното устройство за акумулаторни батерии.
- Не свързвайте клемите на зарядното устройство за акумулаторни батерии към метални предмети, тъй като това може да предизвика късо съединение на зарядното устройство за акумулаторни батерии.
- Използвайте одобрени стенни контакти, които не са повредени. Уверете се, че шнурът на зарядното устройство за акумулаторни батерии не е повреден. Ако използвате удължителни кабели, се уверете, че те не са повредени.

Инструкции за безопасност при техническо обслужване



ПРЕДУПРЕЖДЕНИЕ: Прочетете следващите предупредителни указания, преди да извършвате техническо обслужване на продукта.

- Извадете батерията, преди да извършите техническо обслужване, други проверки или сглобяване на продукта.
- Операторът трябва да извършва само техническо обслужване и ремонтни дейности, показани в тази инструкция за експлоатация. Обърнете се към Вашия сервизен дилър при нужда от по-сериозно техническо обслужване и ремонтни дейности.
- Не почиствайте батерията или зарядното устройство с вода. Силните почистващи препарати могат да повредят пластмасата.
- Ако не извършвате техническо обслужване, това намалява експлоатационния живот на продукта и увеличава риска от злополука.
- Необходимо е специално обучение за всички ремонтни дейности и поправки особено що се отнася до приспособленията за безопасност на продукта. Ако не всички проверки в тази инструкция за експлоатация са одобрени, след като сте извършили техническото обслужване, обърнете се към Вашия сервизен дилър. Ние гарантираме, че за Вашия продукт има налични професионални поправки и ремонти.
- Използвайте само оригинални резервни части.
- Винаги използвайте ръкавици за тежки условия, когато ремонтирате рещетоно оборудване. Остриетата са изключително остри и лесно могат да причинят наранявания.

Монтаж

За да монтирате примковата ръкохватка

1. Поставете примковата ръкохватка върху вала между стрелките. Не поставяйте примкова ръкохватка или пръстен на окачването върху етикет. (Фиг. 17)
2. Придвийте втулката в отвора на примковата ръкохватка.
3. Поставете гайката, фиксатора и винта – не затягайте прекалено.
4. Регулирайте продукта до удобно положение.
5. Затегнете болта.

За монтиране на двусекционния вал

1. Завъртете фиксатора, за да разхлабите съединителя. (Фиг. 18)
2. Подравнете палеца (А) със стрелката (В) на съединението. (Фиг. 19)
3. Вкарвайте двусекционния вал в съединението, докато щракне на място. (Фиг. 20)
4. Затегнете напълно ръчката. (Фиг. 21)

За разглобяване на двусекционния вал

1. Завъртете фиксатора 3 оборота, за да разхлабите съединението. (Фиг. 22)
2. Натиснете и задръжте бутона (С).
3. Дръжте здраво края на двусекционния вал, към който е прикрепен двигателят.
4. Издърпайте приставката от съединението. (Фиг. 23)

За да монтирате пръстена на окачването, ако е приложимо

1. Монтирайте пръстена на окачването между стрелките на задната ръкохватка и примковата ръкохватка. (Фиг. 24)

Забележка: Не поставяйте примковата ръкохватка върху лепенка.

2. Регулирайте пръстена, за да балансирате продукта и да бъде лесен за използване.

Операция

Въведение



ПРЕДУПРЕЖДЕНИЕ: Прочетете и разберете раздела с инструкции за безопасност преди използване на продукта.

Husqvarna Connect

Husqvarna Connect е безплатно приложение за Вашето мобилно устройство. Приложението Husqvarna Connect осигурява разширени функции за Вашия продукт на Husqvarna.

- Разширена продуктова информация.
- Информация и помощ за частите на продукта и сервисното обслужване.

За да започнете да използвате Husqvarna Connect

1. Изтеглете приложението Husqvarna Connect на Вашето мобилно устройство.
2. Регистрирайте се в приложението Husqvarna Connect.
3. Следвайте стъпките с инструкции в приложението Husqvarna Connect, за да свържете и регистрирате продукта.

Забележка: Приложението Husqvarna Connect не е налично за изтегляне на всички пазари. Свържете се с дистрибутор по обслужването за повече информация.

За свързване на батерията към продукта



ПРЕДУПРЕЖДЕНИЕ:

Използвайте само оригинални батерии Husqvarna с продукта.

1. Уверете се, че батерията е напълно заредена.
2. Притиснете акумулаторната батерия в държача на батерията на продукта. Батерията се заключва в позиция, когато чуе щракване. (Фиг. 25)



ВНИМАНИЕ: Ако батерията не влезе лесно в държача, значи тя не е поставена правилно. Това може да повреди продукта.

3. Уверете се, че батерията е поставена правилно.

За зареждане на акумулаторната батерия

Забележка: Заредете батерията, ако това е първият път, в който я използвате. Новата акумулаторна батерия е заредена само на 30%.

1. Уверете се, че акумулаторната батерия е суха.
 2. Поставете акумулаторната батерия в зарядното устройство. (Фиг. 26)
-

Забележка: Акумулаторната батерия и зарядното устройство за акумулаторни батерии могат да изглеждат различно при различните модели, но процедурата е една и съща.

3. Уверете се, че зелената светлина за зареждане на зарядното устройство светва. Това означава, че батерията е свързана правилно към зарядното устройство.
 4. Когато всички светодиоди на батерията светнат, батерията е напълно заредена. (Фиг. 27)
 5. За да изключите зарядното устройство от стенния контакт, дръпнете щепсела. Не дърпайте кабела.
 6. Отстранете акумулаторната батерия от зарядното устройство.
-

Забележка: Разгледайте инструкциите за батерията и за зарядното устройство за повече информация.

Работно положение

- Дръжте продукта с 2 ръце.
- Дръжте продукта отдалеч от тялото си.
- Дръжте режещото оборудване под нивото на кръста си.
- Дръжте частите на тялото си далеч от горещи повърхности.
- Дръжте частите на тялото си далеч от режещото оборудване.

Преди да започнете работа с продукта

- Прегледайте работната зона, за да се уверите, че познавате типа на терена, наклона на земята и дали има някакви препятствия като камъни, клони и канавки.

- Извършете цялостна инспекция на продукта.
- Извършете инспекциите за безопасност, техническо обслужване и обслужване, които са посочени в това ръководство.
- Уверете се, че всички капази, предпазителни, ръкохватки и оборудване са правилно закрепени и не са повредени.

За стартиране на продукта

1. Натиснете и задръжте бутона за Вкл./изкл., докато зеленият светодиод не светне. (Фиг. 28)
2. Използвайте захранващия спусък, за да контролирате скоростта.

За ограничаване на максималните обороти с бутона за режим

Този продукт има бутон за режим. С бутона за режим операторът може да ограничи максималните обороти. Бутонът за режим има 3 нива за обороти. По-ниско ниво увеличава времето на работа на продукта. Бутонът за режим има 3 нива за обороти. По-ниско ниво увеличава времето на работа на продукта. Използвайте ниво 1 и ниво 2, ако работата не изисква пълни обороти/пълна мощност. Ако условията на работа изискват пълни обороти/пълна мощност, използвайте ниво 3. Не използвайте по-високо ниво от необходимото за работа.

1. Натиснете бутона за режим, за да зададете ограничение за максималните обороти. Белите светодиоди ще светнат, за да покажат, че функцията е включена. (Фиг. 29)
2. Натиснете бутона за режим отново, за да избере следващото ниво на обороти.

Функция за автоматично изключване

Продуктът има функция за автоматично изключване, която го изключва, ако не го използвате в продължение на 3 минути.

За спиране на продукта

1. Освободете захранващия спусък или блокировката на захранващия спусък.
2. Натиснете бутона за вкл./изкл. (Фиг. 30)
3. Натиснете бутоните за освобождаване на акумулаторната батерия и извадете акумулаторната батерия. (Фиг. 31)

Поддръжка

Въведение

преди да извършите техническото обслужване.



ПРЕДУПРЕЖДЕНИЕ: Преди да извършите техническо обслужване, трябва да прочетете и разберете главата за безопасност.

Разписание за техническо обслужване



ПРЕДУПРЕЖДЕНИЕ: Отстранете акумулаторната батерия,

Следва списък със стъпките от техническото обслужване, които трябва да изпълните за Вашия продукт. В допълнение към техническото обслужване, посочено в разписанието за техническо обслужване, позволете на сервизен дилър на Husqvarna да извършва редовно сервизно обслужване на продукта. За информация относно сервизните интервали се обърнете към Вашия сервизен дилър на Husqvarna.

Техническо обслужване	Ежедневно	Всяка седмица	Всеки месец
Почистете външните части на продукта със суха кърпа. Не използвайте вода.	X		
Проверете дали бутонът за захранване работи правилно и не е повреден.	X		
Уверете се, че захранващият спусък и блокировката на захранващия спусък работят правилно от гледна точка на безопасността.	X		
Уверете се, че всички контролни органи работят и не са повредени.	X		
Поддържайте ръкохватките сухи, чисти, без масло и грес.	X		
Уверете се, че всички винтове и гайки са затегнати.	X		
Уверете се, че бутоните за освобождаване на акумулаторната батерия работят и заключват батерията в продукта.	X		
Уверете се, че акумулаторната батерия не е повредена.	X		
Уверете се, че акумулаторната батерия е заредена.	X		
Уверете се, че зарядното устройство за акумулаторни батерии не е повредено и работи изправно.	X		
Проверете всички кабели, съединения и връзки. Уверете се, че не са повредени и че са чисти.		X	
Проверете връзките между акумулаторната батерия и продукта. Проверете връзката между акумулаторната батерия и зарядното устройство.			X

За почистване на продукта, батерията и зарядното устройство

1. Почиствайте продукта със сух парцал след употреба.
2. Почиствайте батерията и зарядното устройство със сух парцал. Дръжте водачите на батерията чисти.

3. Уверете се, че клемите на батерията и зарядното устройство са чисти, преди батерията да е поставена в зарядното устройство или в продукта.

Двусекционен вал

Нанесете грес в края на задвижващата ос след всеки 30 часа работа. Съществува опасност от задиране на краищата на задвижващата ос (шплинтовете съединения) на разглобяемия двусекционен вал, ако не се смазват редовно.

Отстраняване на проблеми

Клавиатура

Светодиоден дисплей	Възможни неизправности	Възможно действие
Зеленият светодиод за активирани премигва	Ниско напрежение на акумулаторната батерия.	Заредете батерията.
Червеният светодиод за грешка мига	Претоварване.	Режещото оборудване е блокирано. Деактивирайте продукта. Отстранете акумулатора. Почистете режещото оборудване от нежелани материали.
	Температурно отклонение.	Оставете продукта да се охлади.
	Захранващият спусък и бутонът за включване са натиснати едновременно.	Отпуснете захранващия спусък и продуктът е активен.
Двигателят не се стартира	Замърсявания в клемите на акумулаторната батерия.	Почистете клемите на акумулаторната батерия с въздух под налягане или с мека четка.
Светодиодът за грешка свети с червена светлина	Продуктът се нуждае от техническо обслужване.	Свържете се със своя сервис.

Транспортиране, съхранение и изхвърляне

Транспорт и съхранение

- Доставените литиевойонни акумулаторни батерии отговарят на изискванията на законодателството за опасни продукти.
- Специалното изискване на опаковката и етикетите за търговско транспортиране трябва да се спазва, включително от трети страни и следители.
- Обърнете се към човек, преминал специално обучение за работа с опасни материали, преди да изпратите продукта. Спазвайте всички приложими национални регламенти.
- Поставете тиксо върху откритите терминали, когато поставяте акумулаторната батерия в опаковка. Поставете акумулаторната батерия плътно в опаковката, за да предотвратите движение.
- Извадете акумулаторната батерия при съхранение или транспортиране.
- Поставете акумулаторната батерия и зарядното устройство в сухо пространство, в което няма влага и скреж.
- Не съхранявайте акумулаторната батерия на места, където може да се натрупа статично

електричество. Не съхранявайте акумулаторната батерия в метална кутия.

- Поставете акумулаторната батерия за съхранение при температура между 5°C/41°F и 25°C/77°F и далеч от пряка слънчева светлина.
- Поставете зарядното устройство за съхранение при температура между 5°C/41°F и 45°C/113°F и далеч от пряка слънчева светлина.
- Използвайте зарядното устройство само когато околната температура е между 5°C/41°F и 40°C/104°F.
- Заредете акумулаторната батерия между 30% и 50%, преди да я оставите за съхранение за продължително време.
- Съхранявайте зарядното устройство в затворено и сухо пространство.
- При съхранение дръжте акумулаторната батерия и зарядното устройство отделно. Не позволявайте на деца или други неодобриени лица да имат контакт с оборудването. Дръжте оборудването в пространство, което можете да заключавате.
- Почистете продукта и извършете пълно обслужване, преди да го съхранявате продължително време.

- Използвайте защитата при транспортиране на продукта, за да предотвратите наранявания или повреди на продукта по време на транспортиране и съхранение.
- Закрепете продукта безопасно при транспортиране.

го в пункт за рециклиране за електрическо и електронно оборудване. Това помага да се предотврати увреждане на околната среда или на хора.

Свържете се с местните служби, местна сметосъбираща организация или с Вашия дилър за повече информация относно рециклирането на продукта.

Изхвърляне на батерията, зарядното устройство и продукта

Символите на продукта или на неговата опаковка означават, че той не е битов отпадък. Рециклирайте

Технически данни

Технически характеристики

	325iLK
Двигател	
Тип на двигателя	BLDC (безчетков) 36 V
Скорост на изходния вал, 1/мин	8400
Тегло	
Тегло (само захранващ блок), kg	2,9
Шумови емисии ^{113, 114}	
Ниво на звуковата мощност, измерено, измерена dB (A)	89 – 103
Ниво на звуковата мощност, гарантирано L _{WA} dB (A)	90 – 106
Нива на шума ^{115, 116}	
Еквивалентно ниво на звуковото налягане при ухото на оператора, измерено съгласно EN 62841-1, dB (A):	78 – 93
Нива на вибрациите ^{117, 118}	
Нива на вибрациите при ръкохватките, измерени съгласно EN 62841-1, m/s ²	1,3 – 5,5/1,1 – 3,1

¹¹³ Емисии на шума в околната среда, измерени като звукова мощност (LWA) в съответствие с директива на ЕО 2000/14/ЕО. Отчетените нива на шума за машината са измерени с оригиналното режещо оборудване, което дава най-високото ниво. Разликата между гарантираното и измереното ниво на шума е в това, че гарантираното ниво на шума включва също и дисперсията в резултатите от измерването, както и вариациите между различните машини от един и същи модел в съответствие с Директива 2000/14/ЕО.

¹¹⁴ Шумовият диапазон посочва най-ниската към най-високата измерена стойност.

¹¹⁵ Отчетените данни за ниво на звуково налягане за машината имат типична статистическа дисперсия (стандартно отклонение) от 3 dB (A) и са измерени с оригиналната приставка, която осигурява най-високото ниво.

¹¹⁶ Шумовият диапазон посочва най-ниската към най-високата измерена стойност.

¹¹⁷ Отчетените данни за нивото на вибрациите имат типична статистическа дисперсия (стандартно отклонение) от 2 m/s². За сравняване на нивата на вибрациите, акумулаторната батерия и продуктите с вътрешно горене използвайте калкулатора на вибрациите. <https://www.husqvarna.com/uk/services-solutions/vibration-calculator/>.

¹¹⁸ Шумовият диапазон посочва най-ниската към най-високата измерена стойност.

Одобрени акумулаторни батерии

Акумулаторна батерия	BLi200	40-B220X
Тип	Литиевойонен	Литиевойонен
Капацитет на акумулаторната батерия, Ah	5,2	6,0
Номинално напрежение, V	36	36
Тегло, kg (lb)	1,3 (2,9)	1,4 (3,1)

Одобрени зарядни устройства за акумулаторни батерии

Зарядно устройство за акумулатора	QC330	40-C500X
Входно напрежение, V	100 – 240	100 – 240
Честота, Hz	50 – 60	50 – 60
Мощност, W	330	500

Принадлежности

Приставки

Одобрени приставки	Номер на приставка ¹¹⁹	Група приставки ¹²⁰	Използвайте с
Приставка резачка за храсти BCA850	1	1 – 10	325iLK
Приставка моторна метла BA101	11	11 – 20	325iLK
Приставка машина за обконтване ECA850	21	21 – 30	325iLK
Приставка машина за обконтване ESA850	22	21 – 30	325iLK
Приставка ножици за кастрене на жив плет HA860	32	31 – 40	325iLK
Приставка трион на прът PAX730	41	41 – 50	325iLK
Приставка трион на прът PAX1100	42	41 – 50	325iLK
Приставка трион PA1100	43	41 – 50	325iLK
Приставка гумена четка SR600-2	51	51 – 60	325iLK
Приставка четка BR600	52	51 – 60	325iLK
Приставка вертикутир DT600	53	51 – 60	325iLK

¹¹⁹ Това е конкретен номер на одобрена приставка в рамките на една група приставки.

¹²⁰ Одобрените приставки са разделени на групи. Всяка група приставки разполага с подобни характеристики и стикери.

Одобрени приставки	Номер на приставка ¹¹⁹	Група приставки ¹²⁰	Използвайте с
Приставка култиватор CA230	54	51 – 60	325iLK
Приставка със синхронизирани режещи дискове RA850	2	1 – 10	525iLK

¹¹⁹ Това е конкретен номер на одобрена приставка в рамките на една група приставки.

¹²⁰ Одобрените приставки са разделени на групи. Всяка група приставки разполага с подобни характеристики и стикери.

Декларация за съответствие

Декларация за съответствие на ЕС

Ние, **Husqvarna AB**, SE-561 82 Huskvarna, Швеция,
тел.: +46-36-146500, декларираме на своя собствена
отговорност, че продуктът:

Описание	Захранващ блок с акумулаторна батерия (тример за трева)
Марка	Husqvarna
Тип/модел	325iLK (без батерията)
Идентификация	Серийни номера от 2024 и нататък

отговаря напълно на следните директиви и
регламенти на ЕС:

Директива/регламент	Описание
2006/42/EO	"относно машините"
2014/30/EMC	"относно електромагнитната съвместимост"
2011/65/EC	"относно ограничението за опасни вещества"
2000/14/EO	"относно шума извън сградите"

и че следните стандарти и/или технически
спецификации са приложени: EN ISO
12100:2010, EN 62841-1:2015+AC:2015+A11:2022, EN
62841-4-2:2019+A11:2022+A1:2022, IEC 62841-4-4:
2020+A1:2024, IEC 62841-4-6:2022, ISO 11449:1994,
EN ISO 11680-1:2021, EN 61000-6-3:2007+A1:2011,
EN 61000-6-1:2016, EN IEC 63000:2018.

SMP Svensk Maskinprovning AB, Box 4053, SE-904
03 Umeå, Sweden, извърши доброволно изпитване
на типа съгласно приложение IX на 2006/42/EO.
Сертификат №: SEC/24/2593.

Упълномощен орган: SMP Svensk Maskinprovning AB,
има и потвърдено съответствие с приложение V на
директива на съвета 2000/14/EO. Сертификат №:
01/1610/013.

За информация относно шумовите емисии
направете справка с *Технически данни на страница
215*.

Huskvarna, 2024-02-01

Г-н Стефан Холмберг, директор по развойна
дейност, управление на технологиите, Husqvarna AB,
Швеция

Отговорен за техническата документация



SPIS TREŚCI

Wstęp.....	219	Rozwiązywanie problemów.....	229
Bezpieczeństwo.....	220	Transport, przechowywanie i utylizacja.....	229
Montaż.....	226	Dane techniczne.....	230
Przeznaczenie.....	227	Akcesoria.....	231
Przegląd.....	228	Deklaracja zgodności.....	233

Wstęp

Przeznaczenie

Jednostka napędowa to urządzenie nieizolowane, które działa wyłącznie z zatwierdzonymi akcesoriami, patrz

akcesoria zatwierdzone w dokumencie *Akcesoria na stronie 231*. Należy zapoznać się z niniejszą instrukcją obsługi wraz z instrukcją obsługi zatwierdzonego akcesorium.

Przegląd produktu

(Rys. 1)

1. Instrukcja obsługi
2. Klucz imbusowy sześciokątny 4 mm
3. Uchwyt pałkowy
4. Pokrętło
5. Przycisk Wł./Wył.
6. Przycisk trybu prędkości
7. Blokada manetki gazu
8. Interfejs użytkownika
9. Manetka gazu
10. Ładowarka akumulatora (akcesorium)
11. Ładowanie i wskaźnik błędu na ładowarce
12. Przyciski odłączania akumulatora
13. Akumulator (akcesorium)
14. Dioda LED stanu ładowania
15. Dioda LED ostrzeżenia
16. Przycisk wskaźnika akumulatora
17. Złączka do osprzętu tnącego

(Rys. 4) Napięcie znamionowe, V

(Rys. 5) Prąd stały.

(Rys. 6) Produkt jest zgodny z odpowiednimi dyrektywami WE.

(Rys. 7) Symbole znajdujące się na produkcie oraz na opakowaniu informują o tym, że nie wolno traktować go jako zwykły odpad domowy. Niniejszy produkt należy oddać do utylizacji w odpowiednim zakładzie utylizacji odpadów.

(Rys. 8) Produkt jest zabezpieczony przed rozbrzygniemy wody.

yyyywwxxxx

Tabliczka znamionowa zawiera numer seryjny. **yyyy** to rok produkcji, **ww** oznacza tydzień produkcji, a **xxxx** — numer seryjny.

Uwaga: Akumulator i ładowarka mogą wyglądać inaczej w różnych modelach.

Symbole znajdujące się na produkcie

(Rys. 2) **OSTRZEŻENIE!** Produkt może być niebezpieczny! Następstwem nieuważnej lub nieprawidłowej obsługi mogą być poważne obrażenia lub śmierć użytkownika bądź innych osób. Jest niezmiernie ważne, by ze zrozumieniem przeczytać treść instrukcji obsługi. Należy dokładnie przeczytać instrukcję obsługi i przed uruchomieniem urządzenia upewnić się, że wszystkie wskazówki zostały zrozumiane.

(Rys. 3) Przed przystąpieniem do konserwacji odłączyć akumulator.

Uwaga: Pozostałe symbole/naklejki samoprzylepne umieszczone na produkcie dotyczą wymogów związanych z certyfikatami w innych obszarach komercyjnych.

Producent

Husqvarna AB

Drottninggatan 2, SE-561 82 Huskvarna, Sweden, tel: +46-36-146500

Uszkodzenie produktu

Nie odpowiadamy za uszkodzenia naszego produktu, w przypadku gdy:

- produkt jest nieprawidłowo naprawiany.

- produkt jest naprawiany przy użyciu części niepochodzących od producenta lub niezatwierdzonych przez producenta.
- produkt jest wyposażony w akcesoria niepochodzące od producenta lub niezatwierdzone przez producenta.
- produkt nie jest naprawiany w autoryzowanym centrum serwisowym lub przez autoryzowaną placówkę.

Wsparcie

W celu uzyskania pomocy technicznej dotyczącej produktu należy przejść do sekcji Wsparcie na , aby uzyskać dostęp do instrukcji oraz przewodników rozwiązywania problemów lub skorzystać z usługi Self-Service Husqvarna i asystenta produktu (jeśli jest dostępny na danym rynku). Dodatkową pomoc techniczną dotyczącą produktu można uzyskać w swoim punkcie serwisowym Husqvarna.

Bezpieczeństwo

Definicje dotyczące bezpieczeństwa

Ostrzeżenia, uwagi i informacje są używane do zwrócenia uwagi na szczególnie ważne sekcje instrukcji obsługi.



OSTRZEŻENIE: Jest używane, gdy istnieje ryzyko poważnych obrażeń, śmierci operatora lub uszkodzenia otoczenia w wyniku nieprzestrzegania instrukcji obsługi.



UWAGA: Jest używane, gdy istnieje ryzyko uszkodzenia materiałów lub urazów w wyniku nieprzestrzegania instrukcji obsługi.

Uwaga: Stosuje się, aby przekazać więcej informacji, które są przydatne w danej sytuacji.

Ostrzeżenia zasady bezpieczeństwa dla narzędzi elektrycznych



OSTRZEŻENIE: Należy zapoznać się z zatwierdzoną instrukcją obsługi akcesoriów wraz z niniejszą instrukcją obsługi zespołu napędowego.



OSTRZEŻENIE: Zapoznać się ze wszystkimi ostrzeżeniami dotyczącymi bezpieczeństwa, zasadami, ilustracjami i specyfikacjami dołączonymi do tego narzędzia. Niezastosowanie się do wszystkich poniższych instrukcji może spowodować porażenie prądem, pożar lub poważne obrażenia.

Uwaga: Zachowaj wszystkie ostrzeżenia i instrukcje do korzystania z nich w przyszłości. Termin „narzędzie elektryczne” używany w ostrzeżeniach dotyczy narzędzia zasilanego prądem z sieci elektrycznej (przewodowego) lub narzędzia zasilanego z akumulatora (beprzewodowego).

Bezpieczeństwo miejsca pracy

- **Miejsce pracy powinno być czyste i dobrze oświetlone.** Obszary zaciemnione i takie, w których panuje nieład, mogą powodować wypadki.
- **Nie używać maszyn w atmosferze wybuchowej, np. w obecności łatwopalnych cieczy, gazów lub pyłu.** Maszyny wytwarzają iskry, które mogą zapalić pył lub opary.
- **Podczas używania maszyny należy zadbać o pozostanie dzieci oraz innych osób w bezpiecznej odległości.** W razie odwrócenia uwagi można utracić kontrolę nad urządzeniem.

Bezpieczeństwo elektryczne

- **Wtyczki maszyn muszą pasować do gniazdka. Zabrania się dokonywania przeróbek wtyczki. Nie wolno stosować adapterów w przypadku uziemionych maszyn.** Nieprzerobione wtyczki i dopasowane gniazdka pozwalają zredukować ryzyko porażenia prądem.
- **Należy unikać kontaktu ciała z powierzchniami uziemionymi, takimi jak rury, grzejniki, kucharki i lodówki.** Uziemienie ciała powoduje zwiększenie ryzyka porażenia prądem.
- **Nie wystawiać maszyn na działanie deszczu ani wilgoci.** Przedostanie się wody do maszyny zwiększa ryzyko porażenia prądem.
- **Nie niszczyć przewodu. Nie wolno używać przewodu do przenoszenia, ciągnięcia lub odłączania maszyny. Przewód należy utrzymywać z dala od źródeł ciepła, olejów, ostrych krawędzi lub ruchomych części.** Uszkodzone lub splecione przewody zwiększają zagrożenie porażenia prądem.
- **Używając maszyny na zewnątrz budynków, należy stosować przedłużacz przystosowany do użytku zewnętrznego.** Stosowanie przewodu przeznaczonego do użytku na zewnątrz budynków pozwala ograniczyć ryzyko porażenia prądem.
- **Jeśli maszyna musi być używana w warunkach dużej wilgotności, stosować zasilanie chronione wyłącznikiem różnicowo-prądowym (RCD).** Korzystanie z wyłącznika różnicowo-prądowego (RCD) zmniejsza ryzyko porażenia prądem.

Bezpieczeństwo osób

- Podczas używania maszyny należy zachować skupienie, obserwować wykonywane czynności i kierować się zdrowym rozsądkiem. Maszyny nie wolno używać w przypadku zmęczenia ani pod wpływem narkotyków, alkoholu lub lekarstw. Chwila nieuwagi podczas obsługi maszyny może doprowadzić do poważnych obrażeń.
- Stosować środki ochrony osobistej. Należy zawsze stosować środki ochrony wzroku. Sprzęt ochronny, taki jak maski, antypoślizgowe buty robocze, kask lub środki ochrony słuchu stosowane w odpowiednich warunkach pozwalają obniżyć ryzyko odniesienia obrażeń.
- Należy zapobiec niezamierzonemu rozruchowi. Przed podłączeniem maszyny do źródła zasilania i/lub podłączeniem akumulatora należy upewnić się, że maszyna jest wyłączona. Przenoszenie maszyny z palcem na przełączniku lub włączenie zasilania maszyny, która ma przełącznik w pozycji włączonej, sprzyja wypadkom.
- Przed włączeniem maszyny należy usunąć wszelkie klucze i inne narzędzia. Klucze lub inne narzędzia, pozostawione przy obracającej się części maszyny, mogą spowodować obrażenia ciała.
- Nie należy przeceniać swoich możliwości. Stać na stabilnym podłożu i zachować równowagę. Pozwoli to zachować lepszą kontrolę nad maszyną w nieoczekiwanych sytuacjach.
- Należy odpowiednio się ubierać. Nie należy zakładać luźnych ubrań i nosić biżuterii. Włosy oraz ubranie należy trzymać z dala od elementów ruchomych. Luźna odzież, biżuteria lub długie włosy mogą zostać wciągnięte przez ruchome części.
- Jeśli dołączone jest wyposażenie służące do podłączenia urządzeń odprowadzających i gromadzących pył, należy zadbać o jego podłączenie i właściwe używanie. Stosowanie urządzeń odprowadzających pył może ograniczyć zagrożenia związane z obecnością pyłu.
- Użytkownik nie powinien czuć się zbyt pewnie i lekceważyć zasad bezpieczeństwa nawet wtedy, gdy po wielokrotnym używaniu maszyny jest dobrze obeznany z jej działaniem. Nieuwaga przy pracy może w ułamku sekundy doprowadzić do ciężkich obrażeń ciała.

Obsługa i konserwacja maszyny

- Nie należy korzystać z maszyny „na siłę”. Używać maszyny dopasowanej do zastosowania. Właściwa maszyna pozwoli lepiej i bezpieczniej wykonać pracę z przewidzianą prędkością.
- Nie wolno używać maszyny, jeśli nie można jej wyłączyć lub wyłączyć przy użyciu przełącznika. Jeśli maszyna nie może być kontrolowana za pomocą przełącznika, jest ona niebezpieczna i musi zostać oddana do naprawy.
- Przed dokonaniem jakichkolwiek regulacji, zmianą akcesoriów lub pozostawieniem maszyny na czas

przechowywania należy odłączyć wtyczkę od źródła zasilania i/lub, jeśli jest to możliwe, wymontować akumulator. Ten środek ostrożności zapobiega niezamierzonemu uruchomieniu elektronarzędzia.

- Nieużywane maszyny należy przechowywać w miejscu niedostępnym dla dzieci. Nie wolno pozwalać, aby maszyny obsługiwały osoby niezaznajomione z maszyn lub niniejszymi instrukcjami. W rękach nieprzeszkolonych użytkowników maszyna może być niebezpieczna.
- Konserwować maszynę i akcesoria. Maszynę należy sprawdzać pod kątem niedopasowania lub odkształcenia ruchomych części, uszkodzenia elementów lub innych okoliczności, które mogą mieć wpływ na pracę urządzenia. W przypadku uszkodzenia naprawić maszynę przed jej ponownym użyciem. Powodem wielu wypadków jest niewłaściwa konserwacja maszyn.
- Narzędzia tnące należy utrzymywać w stanie naostrzonym i czystym. Prawdopodobnie konserwowane maszyny do cięcia o ostrych krawędziach tnących są mniej podatne na wykrzywienie i łatwiej je kontrolować.
- Maszyna, akcesoria i końcówki itp. muszą być używane zgodnie z niniejszymi instrukcjami, biorąc pod uwagę warunki robocze oraz wykonywane zadanie. Używanie maszyny do zadań innych niż te, do których jest przeznaczona, może być niebezpieczne.
- Utrzymywać uchwyty i powierzchnie do chwytania w stanie suchym, czystym oraz wolnym od smaru i oleju. Śliszki uchwyty i powierzchnie chwytów nie pozwalają na pewną obsługę oraz kontrolowanie maszyny w nieprzewidzianych sytuacjach.

Użytkowanie i konserwacja akumulatora maszyny

- Ładować jedynie za pomocą ładowarki wskazanej przez producenta. Ładowarka przeznaczona do jednego rodzaju akumulatora może grozić pożarem w przypadku wykorzystania jej do ładowania innego rodzaju akumulatora.
- Używać w maszynach tylko przewidzianych do nich akumulatorów. Użycie akumulatorów innego rodzaju może stworzyć zagrożenie obrażeniami ciała i pożarem.
- Kiedy akumulator nie jest używany, należy przechowywać go z dala od innych metalowych przedmiotów, takich jak spinacze do papieru, monety, klucze, gwoździe i śruby oraz innych niewielkich metalowych przedmiotów, które mogłyby połączyć dwa zaciski akumulatora. Spięcie zacisków akumulatora może spowodować oparzenia lub pożar.
- W niewłaściwych warunkach z akumulatora może wypłynąć płyn. Należy unikać kontaktu z tym płynem. Jeżeli dojdzie do kontaktu, przemyć wodą. Jeśli dojdzie do kontaktu płynu z oczami, należy dodatkowo skorzystać z pomocy medycznej. Płyn

wydostający się z akumulatora może wywołać podrażnienia lub oparzenia.

- **Nie używać akumulatora ani maszyny, jeśli są one uszkodzone lub zostały zmodyfikowane.** Uszkodzone lub zmodyfikowane akumulatory mogą charakteryzować się nieprzewidywalnymi właściwościami skutkującymi pożarem, eksplozją lub ryzykiem doznania obrażeń przez użytkownika.
- **Nie wystawiać akumulatora ani maszyny na działanie ognia lub zbyt wysokiej temperatury.** Narażenie na pożar lub temperaturę przekraczającą 130°C (265°F) może spowodować wybuch.
- **Należy postępować zgodnie ze wszystkimi instrukcjami dotyczącymi ładowania i nie ładować akumulatora ani maszyny w temperaturze wykraczającej poza zakres określony w instrukcji.** Nieprawidłowe ładowanie lub ładowanie w temperaturach wykraczających poza dopuszczalny zakres może uszkodzić akumulator i zwiększyć ryzyko pożaru.

Serwis

- **Naprawę maszyny należy zlecać wyłącznie wykwalifikowanym pracownikom i tylko z zastosowaniem oryginalnych części zamiennych.** Dzięki temu można zapewnić utrzymanie bezpieczeństwa maszyny.
- **Pod żadnym pozorem nie należy serwisować uszkodzonych akumulatorów.** Serwisowanie akumulatorów powinno być wykonywane wyłącznie przez producenta lub autoryzowany serwis.

Pozostałe informacje ogólne dotyczące bezpieczeństwa

- Przechodząc na inne miejsce pracy, należy wyłączyć produkt. Zawsze wyjmować akumulator przed przekazaniem produktu innej osobie.
- Nigdy nie należy odkładać urządzenia, chyba że zostało wyłączone, a akumulator został wyjęty. Nie pozostawiać urządzenia bez nadzoru, gdy jest włączone.
- Narzędzie tnące nie zatrzymuje się natychmiast po wyłączeniu urządzenia.
- Przed użyciem produktu i po każdym uderzeniu należy sprawdzić go pod kątem oznak zużycia lub uszkodzenia i w razie potrzeby naprawić.
- Jeżeli cokolwiek zablokuje się w osprzęcie tnącym podczas obsługi produktu, należy zatrzymać i wyłączyć urządzenie. Upewnić się, że osprzęt tnący zatrzymał się całkowicie. Przed czyszczeniem, sprawdzaniem lub naprawą produktu bądź osprzętu tnącego należy wyjąć akumulator.
- Przed uruchomieniem produktu należy sprawdzić jego stan techniczny. Patrz *Zespoły zabezpieczające na produkcie na stronie 224* i *Przegląd na stronie 228*. Nie wolno używać uszkodzonego produktu. Przeprowadzać kontrole bezpieczeństwa oraz czynności z zakresu konserwacji i obsługi technicznej podane w niniejszej instrukcji.

- Niewłaściwy lub uszkodzony osprzęt tnący zwiększa ryzyko wypadku.
- Sprawdzić, czy nie ma pęknięć lub zanieczyszczeń na przekładni. Za pomocą szczotki oczyścić przekładnię z trawy i liści. Rękawic należy używać wtedy, kiedy to jest konieczne.
- Otwory wentylacyjne muszą być cały czas drożne i wolne od zanieczyszczeń.
- Sprawdzić, czy głowica żyłkowa jest przytwierdzona do wykaszarki.
- Przed uruchomieniem maszyny należy zamocować wszystkie pokrywy, osłony i uchwyty.
- Sprawdzić, czy produkt działa prawidłowo. Sprawdzić, czy dokręcone są wszystkie śruby i nakrętki.
- Skontrolować, czy głowica żyłkowa i osłona przeciwodpryskowa nie są uszkodzone ani pęknięte. Głowicę żyłkową lub osłonę głowicy, które zostały uderzone lub na których występują pęknięcia, należy wymienić na nowe. Zawsze stosować osłonę zalecaną dla danego osprzętu tnącego. Patrz *Dane techniczne na stronie 230*.
- Ten produkt jest niebezpiecznym narzędziem w przypadku nieostrożnego postępowania lub nieprawidłowego korzystania. Produkt może spowodować poważne obrażenia ciała lub śmierć operatora lub innych osób.
- Urządzenie nie może być używane przez osoby (w tym dzieci) o ograniczonych zdolnościach fizycznych, sensorycznych lub umysłowych, lub nie posiadające odpowiedniego doświadczenia i wiedzy, chyba że są pod nadzorem lub zostały poinstruowane na temat użytkowania urządzenia przez osobę odpowiedzialną za ich bezpieczeństwo. Dzieci muszą być pod nadzorem, aby nie mogły bawić się urządzeniem.
- Nigdy nie pozwalać dzieciom na użytkowanie lub przebywanie w pobliżu urządzenia. Ponieważ maszynę łatwo uruchomić, dzieci mogą być w stanie ją włączyć, jeżeli nie będą pilnowane. Oznacza to ryzyko poważnych obrażeń. Dlatego należy odłączyć akumulator, gdy maszyna nie jest pod nadzorem.
- Nigdy nie pozwalać na użytkowanie ani serwisowanie produktu dzieciom lub innym osobom, które nie mają odpowiednich kwalifikacji.
- Przechowywać urządzenie w miejscu niedostępnym dla dzieci i osób niepowołanych.
- Na czas przechowywania i transportu należy zawsze zakładać osłonę transportową.
- Ręce i stopy należy cały czas trzymać z dala od obszaru cięcia, zwłaszcza w czasie włączania silnika.
- Trzymać ręce i stopy z dala od osprzętu tnącego aż do momentu całkowitego zatrzymania po wyłączeniu produktu.
- Nie próbować odciągać ciętego materiału ani nie pozwalać tego robić innym, kiedy urządzenie pracuje lub osprzęt tnący się obraca, gdyż może to doprowadzić do poważnych obrażeń.

- Pamiętać o tym, że operator ponosi odpowiedzialność za narażanie ludzi i ich własności na wypadki lub zagrożenia.
- Pod żadnym pozorem nie wolno zmieniać ani modyfikować fabrycznej konstrukcji urządzenia bez zezwolenia wydanego przez producenta. Zawsze należy korzystać z oryginalnych akcesoriów. Samowolne wprowadzanie zmian oraz/lub montowanie wyposażenia niezatwierdzonego przez producenta może stać się przyczyną groźnych obrażeń lub śmierci obsługującego urządzenie bądź innych osób. Gwarancja może nie obejmować uszkodzeń powstałych w wyniku używania niezatwierdzonych akcesoriów lub części zamiennych.
- Jedynymi akcesoriami, których można używać z tym urządzeniem, są elementy osprzętu tnącego zalecane w rozdziale Akcesoria. Patrz *Akcesoria na stronie 231*.
- Nie wolno używać urządzenia, które zostało w jakikolwiek sposób zmodyfikowane.
- Nie wolno pracować uszkodzonym urządzeniem. Przeprowadzać kontrole bezpieczeństwa oraz czynności z zakresu konserwacji i obsługi technicznej podane w niniejszej instrukcji. Niektóre czynności konserwacyjne i obsługowe muszą być wykonane przez przeszkolonego i wykwalifikowanego specjalistę. Patrz wskazówki w części zatytułowanej „Konserwacja”.
- Praca przy złej pogodzie jest męcząca i często zwiększa ryzyko obrażeń. Nie zaleca się używać urządzenia w bardzo niesprzyjających warunkach np. w gęstej mgłę, podczas silnego deszczu, przy silnym wietrze, na silnym mrozie lub gdy występuje ryzyko wyładowań atmosferycznych.
- Nigdy nie pracować, stojąc na drabinie lub stołku ani na żadnym podwyższeniu, które nie jest stabilne i nie zapewnia zachowania statecznej postawy podczas pracy.
- Nieużywane urządzenia należy przechowywać wewnątrz pomieszczeń
- Nie jest możliwe omówienie wszystkich sytuacji, w jakich potencjalnie możesz się znaleźć. Należy zachowywać zawsze ostrożność i kierować się zdrowym rozsądkiem. Użytkownik nie powinien podejmować się prac, jeżeli uważa, że przekraczają one jego kwalifikacje. Jeżeli po przeczytaniu niniejszej instrukcji użytkownik nadal nie ma pewności co do sposobów postępowania, nie powinien on kontynuować pracy, zanim nie zwróci się o poradę do eksperta.
- Należy dopilnować, aby podczas pracy żadne osoby postronne ani zwierzęta nie znajdowały się w odległości mniejszej niż 50 stóp (15 m). Jeśli w tym samym miejscu pracuje kilku użytkowników, odległość między nimi powinna wynosić co najmniej 50 stóp (15 m). W przeciwnym razie istnieje ryzyko poważnych obrażeń. W przypadku zbliżenia się osób trzecich natychmiast wyłączyć urządzenie. Nigdy nie obracać produktu gwałtownie, nie upewniwszy się, że nikt nie znajduje się z tyłu w strefie zagrożenia.
- Dopilnować, aby ludzie, zwierzęta ani inne obiekty nie mogły zakłócić pracy urządzenia oraz aby nie weszły w kontakt z osprzętem tnącym ani luźnymi przedmiotami odrzucanymi przez osprzęt. Nigdy nie używać urządzenia, jeśli nie ma możliwości wezwania pomocy w razie wypadku.
- Należy zapewnić sobie bezpieczne poruszanie i pozycję przy pracy. Przy poruszaniu się po powierzchni roboczej należy uważać na ewentualne przeszkody (korzenie, gałęzie, doły, rowy itp.). Szczególną ostrożność należy zachować podczas pracy na pochyłym terenie.
- Należy iść, nie biec.
- Dokonać inspekcji obszaru pracy. Usunąć wszystkie porozrzucane przedmioty, jak kamienie, szkło, gwoździe, druty, sznurki i inne, które mogą zostać odrzucone przez maszynę lub zaplątać się na przecinarec lub jej ostonie.
- Uważać na koniuszki gałęzi, które podczas cięcia mogą być odrzucane przez maszynę. Nie odcinać zbyt blisko podłoża, ponieważ grozi to wyrzuceniem przez maszynę kamieni i innych przedmiotów.
- Upewnić się, czy odzież ani żadne części ciała nie będą miały kontaktu z osprzętem tnącym, gdy produkt jest uruchomiony. Urządzenie należy trzymać poniżej pasa.
- Należy uważać na odrzucane przedmioty. Należy zawsze używać zatwierdzonych osłon oczu. Nigdy nie nachylać się nad osłoną zabezpieczającą osprzęt tnącego. Odrzucane przez urządzenie kamienie, odłamki, itp. mogą trafić w oczy, powodując utratę wzroku lub inne poważne obrażenia.
- Mając założone ochronniki słuchu należy zawsze być szczególnie uważnym na sygnały i zawołania ostrzegawcze. Ochronniki słuchu należy zdejmować zaraz po wyłączeniu maszyny.
- W przypadku wystąpienia niechcianych wibracji uderzyć głowicą w celu wysunięcia żyłki do właściwej długości. Po tym wibracje powinny ustąpić.
- Jeśli produkt zacznie wibrować w nietypowy sposób, zatrzymać go i wymontować akumulator.
- Nadmierne wibracje mogą spowodować uszkodzenia naczyń krwionośnych lub nerwów u osób mających problemy z krążeniem. W przypadku rozpoznania u siebie objawów, których przyczyną może być narażenie na nadmierne wibracje, należy zwrócić się do lekarza. Przykładem takich objawów jest drętwienie, brak czucia, mrowienie, klucie, ból, utrata sił, zmiany koloru lub wyglądu skóry. Objawy te występują zazwyczaj w palcach, dłoniach lub nadgarstkach.
- Trzymać zawsze maszynę oburącz. Trzymać maszynę po prawej stronie ciała.

Środki ochrony osobistej



OSTRZEŻENIE: Przed rozpoczęciem użytkowania produktu przeczytać następujące ostrzeżenia.

- Podczas używania produktu zawsze nosić na sobie zatwierdzone środki ochrony osobistej. Środki ochrony osobistej nie eliminują ryzyka odniesienia obrażeń, ograniczają natomiast ich rozmiar w razie zaistnienia wypadku. Skorzystaj z pomocy dealera przy wyborze odpowiedniego sprzętu.
- Stosować kask ochronny, gdy zachodzi ryzyko uderzenia spadającymi przedmiotami.
- Stosować ochronnik słuchu o wystarczających właściwościach tłumiących. Długotrwałe przebywanie w hałasie może doprowadzić do trwałej utraty słuchu.
- Stosować atestowane środki ochrony oczu. Używając maski ochronnej twarzy, nosić także zatwierdzone okulary ochronne. Za zatwierdzone okulary ochronne uważane są takie, które są zgodne z normami ANSI Z87.1 dla USA lub EN 166 dla krajów UE.
- Należy używać maski ochronnej twarzy. Maski ochronna twarzy nie chroni wystarczająco oczu.

(Rys. 9)

- W razie potrzeby, na przykład podczas mocowania, badania czy czyszczenia narzędzi tnących, stosować rękawice ochronne.
- Należy nosić trwale, antypoślizgowe obuwie.
- Nosić odzież wykonaną z mocnego materiału. Nosić odzież z długimi nogawkami i długimi rękawami, wykonaną z mocnego materiału. Luźne części odzieży mogą zahaczyć o krzewy lub gałęzie. Nie nosić biżuterii, krótkich spodni ani sandałów i nie pracować z odsłoniętymi stopami. Związywać włosy w sposób bezpieczny powyżej poziomu barków.

(Rys. 10)

- Zawsze mieć pod ręką apteczkę pierwszej pomocy.

(Rys. 11)

Zespoły zabezpieczające na produkcji



OSTRZEŻENIE: Przed rozpoczęciem użytkowania produktu przeczytać następujące ostrzeżenia.

W tym rozdziale opisano funkcje bezpieczeństwa produktu, jego przeznaczenie oraz sposób przeprowadzania czynności kontrolnych i konserwacji, aby zapewnić jego poprawne działanie. Patrz wskazówki podane w punkcie *Wstęp na stronie 219*, aby sprawdzić, gdzie te części są zlokalizowane w Twoim produkcie.

Jeżeli urządzenie nie jest prawidłowo konserwowane i nie jest poddawane profesjonalnie wykonywanym

naprawom i/lub obsłudze technicznej, skracają jego żywotność i zwiększają ryzyko wypadku. Aby uzyskać dodatkowe informacje, należy skontaktować się z najbliższym punktem serwisowym.



OSTRZEŻENIE: Nie wolno używać urządzenia, którego elementy zabezpieczające są uszkodzone. Elementy zabezpieczające produktu należy kontrolować i konserwować zgodnie z opisem w niniejszym rozdziale. Jeżeli Twój produkt nie spełnia któregokolwiek z warunków kontrolnych, skontaktuj się z przedstawicielem serwisu w celu dokonania naprawy.



UWAGA: Wszelkie czynności obsługowe i naprawy maszyny wymagają specjalnego przeszkolenia. Szczególnie dotyczy to elementów zabezpieczających urządzenia. Jeżeli maszyna nie spełnia jakiegokolwiek z niżej wymienionych warunków kontrolnych, należy ją oddać do warsztatu obsługi technicznej. Kupując nasze produkty, zyskujesz także gwarancję profesjonalnej obsługi i napraw. Jeżeli w miejscu zakupu nie jest prowadzona obsługa serwisowa, zapytaj o adres najbliższego warsztatu obsługi technicznej.

Sprawdzanie interfejsu użytkownika

1. Wcisnąć i przytrzymać przycisk Wł./Wył. (A). (Rys. 12)
 - a) Produkt jest włączony, gdy włącza się wyświetlacz (B).
 - b) Produkt jest wyłączony, gdy wyświetlacz gaśnie.
2. Jeśli wskaźnik ostrzegawczy na wyświetlaczu jest włączony lub miga, patrz *Klawiatura na stronie 229*.

Sprawdzanie blokady manetki gazu

Blokada manetki gazu jest tak skonstruowana, by zabezpieczać przed przypadkowym naciśnięciem. Po naciśnięciu blokady manetki gazu do przodu (A) i dociśnięciu jej do uchwytu (B) manetka gazu (C) zostaje zwolniona. Po zwolnieniu uchwytu manetka gazu i blokada dźwigni mocy powrócą do swoich pozycji wyjściowych. Ruch ten kontrolują trzy niezależne sprężyny. (Rys. 13)

1. Sprawdzić, czy manetka gazu jest zablokowana, gdy jej blokada znajduje się w swoim położeniu wyjściowym. (Rys. 14)
2. Popchnąć blokadę manetki gazu do przodu (A) i w dół. Dociśnąć blokadę manetki gazu do uchwytu (B) i upewnić się, że po zwolnieniu powraca ona do pierwotnego położenia. (Rys. 15)

- Upewnić się, że manetka gazu i jej blokada poruszają się płynnie, a sprężyny powrotne działają prawidłowo. (Rys. 16)
- Nacisnąć przycisk Wł./Wył., aby włączyć produkt.
- Popchnąć całkowicie manetkę gazu, by osiągnąć pełne obroty.
- Zwolnić manetkę gazu i sprawdzić, czy osprzęt tnący się zatrzymał.

Instrukcje bezpieczeństwa dotyczące montażu



OSTRZEŻENIE: Należy zapoznać się z instrukcją obsługi zespołu napędowego oraz z zatwierdzoną instrukcją obsługi akcesoriów.

- Przed złożeniem produktu wyjąć z niego akumulator.
- Nosić zatwierdzone rękawice ochronne.
- Uszkodzona lub nieodpowiednia osłona może spowodować obrażenia ciała. Nie wolno używać osprzętu tnącego bez zamontowanej zatwierdzonej osłony.
- Przed uruchomieniem urządzenia upewnić się, że osłona i wałek są prawidłowo zamontowane.
- Jeśli wraz z osprzętem dostarczone szelki, należy ją prawidłowo zamocować do produktu. Szelki zapewniają bezpieczeństwo pracy i zapobiegają odnoszeniu obrażeń ciała operatora i osób postronnych.

Zasady bezpieczeństwa związane z akumulatorem



OSTRZEŻENIE: Przed rozpoczęciem użytkowania produktu przeczytać następujące ostrzeżenia.

- Należy używać wyłącznie akumulatorów zatwierdzonych przez firmę Husqvarna. Patrz *Zatwierdzone akumulatory na stronie 231*. Akumulatory są zabezpieczone szyfrem programowym.
- Jako źródła zasilania do powiązanych produktów Husqvarna należy używać wyłącznie akumulatorów zatwierdzonych przez firmę Husqvarna. Aby uniknąć obrażeń, nie należy używać akumulatora jako źródła zasilania innych produktów.
- Ryzyko porażenia prądem. Nie przykładaj zacisków akumulatora do kluczy, monet, śrub lub innych metalowych przedmiotów. Może to spowodować zwarcie akumulatora.
- Nie używać baterii jednorazowego użytku.
- Nie wkładać żadnych przedmiotów do szczeliny wewnętrznych akumulatora.
- Chronić akumulator przed bezpośrednim działaniem promieni słonecznych, wysoką temperaturą

i otwartym płomieniem. Akumulator może spowodować oparzenia i/lub oparzenia chemiczne.

- Akumulator należy chronić przed deszczem i wodą.
- Akumulator należy chronić przed działaniem mikrofal i wysokiego ciśnienia.
- Nie próbować rozbierać ani rozbijać akumulatora.
- Jeśli doszło do wycieku z akumulatora, unikać kontaktu cieczy ze skórą i oczami. W przypadku dotknięcia cieczy przemyć skórę dużą ilością wody z mydłem i zgłosić się do lekarza. W przypadku dostania się cieczy do oczu nie trzeć ich, ale splukiwać wodą przez co najmniej 15 minut i zgłosić się do lekarza.
- Akumulator można użytkować w zakresie temperatur od -10°C (14°F) do 40°C (104°F).
- Do czyszczenia akumulatora i ładowarki nie należy używać wody. Patrz *Czyszczenie produktu, akumulatora i ładowarki na stronie 229*.
- Nie używać akumulatora, który jest uszkodzony lub nie działa prawidłowo.
- Przechowywać akumulatory z dala od metalowych przedmiotów, takich jak gwoździe, śruby czy biżuteria.
- Przechowywać akumulator z dala od dzieci.

Zasady bezpieczeństwa w czasie obsługi ładowarki



OSTRZEŻENIE: Przed rozpoczęciem użytkowania produktu przeczytać następujące ostrzeżenia.

- Nieprzestrzeganie zasad bezpieczeństwa stwarza ryzyko porażenia prądem lub wystąpienia zwarcia.
- Nie używać innych ładowarek do akumulatorów niż te dostarczone dla danego produktu. Do ładowania zatwierdzonych akumulatorów Husqvarna należy używać wyłącznie zatwierdzonych ładowarek Husqvarna. Instrukcje, patrz *Dane techniczne na stronie 230*.
- Nie należy podejmować prób rozmontowania ładowarki.
- Nie używać ładowarki, która jest uszkodzona lub nie działa prawidłowo.
- Nie podnosić ładowarki do akumulatora za przewód zasilający. Aby odłączyć ładowarkę do akumulatora od gniazda, wyciągnąć wtyczkę. Nie ciągnąć za przewód zasilający.
- Należy chronić wszystkie przewody i przedłużacze przed działaniem wody, olejów oraz przedmiotów o ostrych krawędziach. Uważać także, aby przewód nie został zakleszczony między obiektami np. drzwiami, furtkami lub innymi.
- Nie używać ładowarki do akumulatora w pobliżu łatwopalnych materiałów lub materiałów, które mogą powodować korozję. Upewnić się, że ładowarka nie jest przykryta. W razie zauważenia dymu lub ognia należy odłączyć ładowarkę od źródła zasilania.

- Należy ładować akumulator wyłącznie wewnątrz budynku, w miejscu z dobrym przepływem powietrza i z dala od światła słonecznego. Nie należy ładować akumulatora na zewnątrz pomieszczeń. Nie ładować akumulatora w wilgotnym otoczeniu.
- Ładowarkę można użytkować w zakresie temperatur od 5°C (41°F) do 40°C (104°F). Ładowarki należy używać w suchym, dobrze wentylowanym i wolnym od pyłów środowisku.
- Nie wkładać żadnych przedmiotów do szczelin wentylacyjnych ładowarki.
- Styków ładowarki nie należy zwierać metalowymi przedmiotami, gdyż może to wywołać zwarcie.
- Należy używać zatwierdzonych gniazd głównych, które nie są uszkodzone. Upewnić się, że przewód ładowarki nie jest uszkodzony. Jeżeli używane są przedłużacze, upewnić się, że nie są one uszkodzone.
- Wyjąć akumulator przed rozpoczęciem prac konserwacyjnych, innych przeglądów lub montażu produktu.
- Użytkownikowi wolno wykonywać tylko te czynności konserwacyjne i serwisowe, które są wskazane w niniejszej instrukcji obsługi. W przypadku czynności konserwacyjnych i serwisowych o szerszym zakresie należy zwrócić się do autoryzowanego serwisu.
- Do czyszczenia akumulatora ani ładowarki nie należy używać wody. Silne detergenty mogą spowodować uszkodzenie tworzywa sztucznego.
- Zaniechanie czynności konserwacyjnych skróci cykl życia produktu i zwiększy ryzyko wypadków.
- Dla wszystkich prac serwisowych i naprawczych, zwłaszcza dla urządzeń zabezpieczających na produkcie, konieczne jest specjalne przeszkolenie. Jeśli nie wszystkie opisane w niniejszej instrukcji obsługi kontrole zakończą się pomyślnie po wykonaniu konserwacji, należy zwrócić się do autoryzowanego serwisu. Gwarantujemy profesjonalne naprawy i serwisowanie produktu.
- Używaj wyłącznie oryginalnych części zamiennych.
- Przystępując do naprawy osprzętu tnącego zawsze zakładać mocne rękawice ochronne. Ostrza tnące są bardzo ostre i mogą łatwo spowodować obrażenia.

Instrukcje bezpieczeństwa dotyczące konserwacji



OSTRZEŻENIE: Przed rozpoczęciem prac konserwacyjnych produktu przeczytać następujące ostrzeżenia.

Montaż

Mocowanie uchwytu pałkowego

1. Zamocuj uchwyt pałkowy na drążku między strzałkami. Nie umieszczać uchwytu pałkowego ani pierścienia zawieszania na etykiecie. (Rys. 17)
2. Umieść element dystansowy we wgłębieniu w uchwycie pałkowym.
3. Zamontuj nakrętkę, pokrętło i śrubę, nie dokręcając zbyt mocno.
4. Ustaw urządzenie w wygodnym położeniu.
5. Dokręć śrubę.

Montaż wałka dwuczęściowego

1. Obrócić pokrętło, aby poluzować złącze. (Rys. 18)
2. Wyrównać wypust (A) ze strzałką (B) na złączu. (Rys. 19)
3. Wcisnąć wałek w złącze, tak aby wskoczył na swoje miejsce. (Rys. 20)
4. Dokręcić pokrętło do końca. (Rys. 21)

Demontaż wałka dwuczęściowego

1. Obrócić pokrętło o 3 obroty lub więcej, aby poluzować złącze. (Rys. 22)
2. Wcisnąć i przytrzymać przycisk (C).
3. Przytrzymać mocno końcówkę wałka, do którego jest przymocowany silnik.
4. Wyciągnąć końcówkę ze złączki. (Rys. 23)

W celu zamontowania zaczepu do zawieszania, jeśli jest na wyposażeniu

1. Zamontować zaczep do zawieszania pomiędzy strzałkami na tylnym uchwycie i uchwycie pałkowym. (Rys. 24)

Uwaga: Nie umieszczać uchwytu pałkowego na naklejce.

2. Wyregulować zaczep, tak aby produkt był wyważony i łatwy w użyciu.

Przeznaczenie

Wstęp



OSTRZEŻENIE: Przed użyciem produktu należy zapoznać się z rozdziałem dotyczącym bezpieczeństwa.

Husqvarna Connect

Husqvarna Connect to darmowa aplikacja na urządzenia mobilne. Aplikacja Husqvarna Connect zapewnia dodatkowe funkcje dla produktu Husqvarna.

- Szczegółowe informacje dotyczące produktu.
- Informacje dotyczące produktu oraz pomoc w wyborze części i konserwacji.

Rozpoczęcie użytkowania Husqvarna Connect

1. Pobrać aplikację Husqvarna Connect na urządzeniu przenośnym.
2. Łączenie w aplikacji Husqvarna Connect.
3. Wykonać instrukcje wyświetlane w aplikacji Husqvarna Connect, aby nawiązać połączenie i zarejestrować produkt.

Uwaga: Aplikacja Husqvarna Connect nie jest dostępna do pobrania na wszystkich rynkach. Dodatkowe informacje można uzyskać w centrum serwisowym.

Podłączanie akumulatora do produktu



OSTRZEŻENIE: W produkcie należy używać wyłącznie oryginalnych akumulatorów Husqvarna.

1. Należy sprawdzić, czy akumulator jest w pełni naładowany.
2. Wsunąć akumulator do uchwytu akumulatora produktu. Po usłyszeniu kliknięcia akumulator zablokuje się na miejscu. (Rys. 25)



UWAGA: Jeśli akumulator nie jest łatwo wsunąć do uchwytu, akumulator nie jest prawidłowo zainstalowany. Niezastosowanie się do tego zalecenia może spowodować uszkodzenie produktu.

3. Sprawdzić, czy akumulator jest prawidłowo zainstalowany.

Ładowanie akumulatora

Uwaga: Akumulator należy naładować przed pierwszym użyciem. Nowy akumulator jest naładowany jedynie w 30%.

1. Sprawdzić, czy akumulator jest suchy.
2. Włożyć akumulator do ładowarki. (Rys. 26)

Uwaga: Akumulator i ładowarka mogą wyglądać inaczej w różnych modelach, ale procedura jest taka sama.

3. Sprawdzić, czy zielony wskaźnik ładowania na ładowarce zaświeci się. Oznacza to, że akumulator jest podłączony do ładowarki.
4. Akumulator jest całkowicie naładowany, gdy włączą się wszystkie diody. (Rys. 27)
5. Aby odłączyć ładowarkę od gniazdka elektrycznego, wyciągnąć wtyczkę. Nie ciągnąć za przewody.
6. Akumulator należy wyjąć z ładowarki.

Uwaga: Aby uzyskać więcej informacji, należy zapoznać się z instrukcjami obsługi akumulatora i ładowarki.

Pozycja robocza

- Produkt należy mocno trzymać dwiema rękami.
- Trzymać produkt po prawej stronie tułowia.
- Osprzęt tnący trzymaj na wysokości poniżej pasa.
- Trzymać części ciała z dala od gorących powierzchni.
- Trzymać części ciała z dala od osprzętu tnącego.

Przed użyciem urządzenia

- Sprawdzić obszar roboczy, aby poznać rodzaj terenu i nachylenie podłoża, oraz upewnić się, że nie występują przeszkody takie jak kamienie, gałęzie czy rowy.
- Przeprowadzić inspekcję produktu.
- Wykonać kontrole bezpieczeństwa, czynności konserwacyjne i czynności serwisowe opisane w niniejszej instrukcji.
- Upewnić się, że wszystkie pokrywy, osłony, uchwyty i akcesoria są prawidłowo zamocowane i nie są uszkodzone.

Uruchamianie produktu

1. Nacisnąć i przytrzymać przycisk Wł./Wył. do momentu zapalenia się zielonej kontrolki LED. (Rys. 28)
2. Do sterowania szybkością służy manetka gazu.

Ograniczanie maksymalnej prędkości przy użyciu przycisku trybu

Produkt jest wyposażony w przycisk trybu. Za pomocą przycisku trybu pracy operator może ograniczyć maksymalną prędkość. Przycisk trybu ma 3 poziomy prędkości. Niższy poziom wydłuża czas pracy produktu. Przycisk trybu ma 3 poziomy prędkości. Niższy poziom wydłuża czas pracy produktu. Poziom 1 i poziom 2 należy stosować, jeśli praca nie wymaga pełnych obrotów/pełnej mocy. Jeśli warunki pracy wymagają pełnych obrotów / pełnej mocy, należy użyć poziomu 3. Nie używać poziomu wyższego niż jest to konieczne w celu wykonania tej czynności.

1. Nacisnąć przycisk trybu, aby ustawić ograniczenie maksymalnej prędkości. Biały wskaźnik LED sygnalizuje włączenie tej funkcji. (Rys. 29)

2. Nacisnąć ponownie przycisk trybu, aby wybrać następny poziom prędkości.

Funkcja automatycznego wyłączenia

Produkt wyposażono w funkcję automatycznego wyłączania, która wyłącza urządzenie, jeśli nie jest używane przez 3 minuty.

Wyłączanie produktu

1. Zwolnić manetkę gazu lub blokadę manetki gazu.
2. Nacisnąć przycisk Wł./Wyl. (Rys. 30)
3. Nacisnąć przyciski zwalniające akumulator i wyciągnąć go. (Rys. 31)

Przegląd

Wstęp



OSTRZEŻENIE: Przed rozpoczęciem prac konserwacyjnych należy przeczytać ze zrozumieniem rozdział poświęcony bezpieczeństwu.

Poniżej zamieszczono listę czynności konserwacyjnych, które należy wykonywać przy produkcie. Oprócz konserwacji określonej w planie konserwacji, należy regularnie zlecać serwisowanie produktu w punkcie serwisowym Husqvarna. Informacje na temat okresów międzyobsługowych można uzyskać w punkcie serwisowym Husqvarna.

Plan konserwacji



OSTRZEŻENIE: Wyjąć akumulator przed przystąpieniem do konserwacji.

Konserwacja	Codzie- nie	Co ty- dzień	Co mie- siąc
Oczyścić zewnętrzne części produktu za pomocą suchej szmatki. Nie należy stosować wody.	X		
Sprawdzić, czy przycisk zasilania działa poprawnie i nie jest uszkodzony.	X		
Sprawdzić, czy manetka gazu i funkcja blokady manetki gazu działają prawidłowo pod względem bezpieczeństwa.	X		
Upewnić się, że wszystkie elementy sterujące działają i nie są uszkodzone.	X		
Utrzymywać uchwyty w stanie suchym, czystym oraz wolnym od smaru i oleju.	X		
Upewnić się, że wszystkie nakrętki i śruby są prawidłowo dokręcone.	X		
Sprawdzić, czy działają przyciski uwalniające akumulator oraz czy blokują go na miejscu w produkcie.	X		
Należy sprawdzić, czy akumulator nie jest uszkodzony.	X		
Należy sprawdzić, czy akumulator jest naładowany.	X		
Sprawdzić, czy ładowarka nie jest uszkodzona i działa prawidłowo.	X		

Konserwacja	Codziennie	Co tydzień	Co miesiąc
Sprawdzić stan wszystkich przewodów, połączeń i złączy. Upewnić się, że nie są uszkodzone i są wolne od zanieczyszczeń.		X	
Sprawdzić połączenia pomiędzy akumulatorem a urządzeniem. Sprawdzić połączenie pomiędzy akumulatorem a ładowarką.			X

Czyszczenie produktu, akumulatora i ładowarki

- Po użyciu wyczyścić produkt za pomocą suchej szmatki.
- Wyczyścić akumulator i ładowarkę suchą szmatką. Akumulator i zaciski należy utrzymywać w czystości.
- Upewnić się, że styki akumulatora i ładowarki są czyste przed umieszczeniem akumulatora w ładowarce lub w produkcie.

Walek dwuczęściowy

Należy smarować końcówkę wałka napędowego po każdym 30 godzinach działania. Istnieje ryzyko zacinania się końcówek wałka napędowego (z połączeniem wielowypustowym) w modelach z wálkiem dwuczęściowym, jeżeli nie są one regularnie smarowane. (Rys. 32)

Rozwiązywanie problemów

Klawiatura

Wyświetlacz LED	Możliwe usterki	Możliwe działania
Miga zielona dioda LED aktywacji	Niskie napięcie akumulatora.	Naładuj akumulator.
Miga czerwona dioda LED usterki	Przeciążenie.	Osprzęt tnący jest zablokowany. Wyłącz urządzenie. Wyjmij akumulator. Oczyszczyć osprzęt tnący z niepożądanego materiału.
	Nieprawidłowa temperatura.	Poczekaj, aż produkt ostygnie.
	Jednocześnie nacisnąć włącznik zasilania i przycisk uruchamiający.	Zwolnić włącznik zasilania w celu aktywowania urządzenia.
Produkt nie uruchamia się	Zabrudzone złącza baterii.	Wyczyścić złącza baterii strumieniem sprężonego powietrza lub miękkim pędzlem.
Dioda LED błędu świeci ciągłym światłem czerwonym	Urządzenie wymaga serwisu.	Skontaktować się ze swoim punktem serwisowym.

Transport, przechowywanie i utylizacja

Transport i przechowywanie

- Dołączone akumulatory litowo-jonowe są zgodne z przepisami dotyczącymi towarów niebezpiecznych.
- Należy przestrzegać specjalnych zaleceń podanych na opakowaniu i etykietach, dotyczących transportu komercyjnego, w tym także usług transportowych świadczonych przez strony trzecie i spedytorów.
- Przed wysłaniem produktu należy porozmawiać z osobą przeszkoloną w zakresie materiałów niebezpiecznych. Przestrzegać wszystkich przepisów krajowych, które mają zastosowanie.
- Podczas umieszczania akumulatora w opakowaniu zabezpieczyć otwarte zaciski taśmą. Zapakować akumulator w taki sposób, aby ściśle przylegał do opakowania, co zapobiegnie jego przemieszczaniu.

- Wyjmować akumulator na czas przechowywania lub transportu.
- Przechowywać akumulator i ładowarkę w miejscu suchym i wolnym od wilgoci oraz nienarażonym na mróz.
- Nie przechowywać akumulatora w miejscu, gdzie może występować prąd statyczny. Nie przechowywać akumulatora w metalowym pojemniku.
- Przechowywać akumulator w miejscu, w którym temperatura wynosi od 5°C do 25°C, z dala od bezpośredniego działania promieni słonecznych.
- Przechowywać ładowarkę w miejscu, w którym temperatura wynosi od 5°C/41°F do 45°C/113°F, z dala od bezpośredniego działania promieni słonecznych.
- Ładowarkę należy użytkować w zakresie temperatur od 5°C do 40°C.
- Naładować akumulator od 30% do 50% przed dłuższym okresem jego przechowywania.
- Przechowywać ładowarkę w zamkniętym i suchym miejscu.
- Przechowywać akumulator z dala od ładowarki. Nie wolno pozwalać dzieciom ani innym osobom

- postronnym na dotykaniu sprzętu. Przechowywać sprzęt w miejscu, które można zamknąć.
- Przed odstawieniem urządzenia na dłuższe przechowywanie należy je wyczyścić oraz przeprowadzić pełny przegląd.
- Użyć osłony transportowej na produkcie, aby zapobiec obrażeniom lub uszkodzeniu urządzenia podczas transportu i przechowywania.
- Przymocować bezpiecznie produkt podczas transportu.

Usuwanie akumulatora, ładowarki i produktu

Symbol znajdujące się na produkcie oraz na opakowaniu informują o tym, że produkt nie jest zwykłym odpadem domowym. Należy poddawać go recyklingowi w punkcie zbiórki sprzętu elektrycznego i elektronicznego. Pomaga to chronić środowisko i ludzi.

Skontaktować się z lokalnymi władzami, przedsiębiorstwem gospodarki komunalnej lub dealerem w celu uzyskania szczegółowych informacji dotyczących recyklingu.

Dane techniczne

Dane techniczne

	325iLK
Silnik	
Typ silnika	BLDC (bezszcotkowy) 36 V
Obroty wałka zdawczego, 1/min	8400
Waga	
Waga (tylko zespół napędowy), kg	2,9
Poziom hałas ^{121, 122}	
Zmierzony poziom mocy akustycznej, dB(A)	89-103
Poziom głośności, gwarantowana moc akustyczna L _{WA} dB(A)	90-106
Poziomy głośności ^{123, 124}	

¹²¹ Emisję hałasu do otoczenia zmierzono jako moc akustyczną (LWA), zgodnie z dyrektywą Rady 2000/14/WE. Odnotowany poziom ciśnienia akustycznego produktu został zmierzony z oryginalnym osprzętem tnącym, który generuje najwyższy poziom hałasu. Różnica pomiędzy gwarantowanym a zmierzonym poziomem ciśnienia akustycznego wynika z tego, że poziom gwarantowany zawiera także rozproszenie w wynikach pomiaru oraz różnice pomiędzy różnymi typami maszyn tego samego modelu zgodnie z Dyrektywą 2000/14/WE.

¹²² Zakres szumu określa zmierzone wartości od najniższej do najwyższej.

¹²³ Odnotowane dane dotyczące poziomu ciśnienia akustycznego urządzenia wykazują typowe rozproszenie statystyczne (odchylenie standardowe) w wysokości 3 dB(A) i zostały zmierzone z oryginalnym osprzętem, który daje najwyższy poziom.

¹²⁴ Zakres szumu określa zmierzone wartości od najniższej do najwyższej.

	325iLK
Równoważny poziom ciśnienia akustycznego przy uchu operatora zmierzony zgodnie z normą EN 62841-1, dB (A):	78-93
Poziomy drgań ^{125, 126}	
Poziomy drgań uchwytów mierzone zgodnie z normą EN 62841-1, m/s ²	1,3–5,5/1,1–3,1

Zatwierdzone akumulatory

Akumulator	BLi200	40-B220X
Typ	Litowo-jonowy	Litowo-jonowy
Pojemność akumulatora, Ah	5,2	6,0
Napięcie znamionowe, V	36	36
Waga, kg (funty)	1,3 (2,9)	1,4 (3,1)

Zatwierdzone ładowarki

Ładowarka	QC330	40-C500X
Napięcie wejściowe, V	100–240	100–240
Częstotliwość, Hz	50–60	50–60
Moc, W	330	500

Akcesoria

Akcesoria

Zatwierdzony osprzęt	Numer przystawki ¹²⁷	Grupa przystawek ¹²⁸	Przeznaczone do
Wykaszarka do krzewów BCA850	1	1–10	325iLK
Dmuchawa BA101	11	11-20	325iLK
Krawędziarka ECA850	21	21-30	325iLK

¹²⁵ Odnotowane dane dla poziomu wibracji mają typowe rozproszenie statystyczne (odchylenie standardowe) w wysokości 2 m/s². Do porównywania poziomu drgań, akumulatorów i produktów spalania służy kalkulator drgań. <https://www.husqvarna.com/uk/services-solutions/vibration-calculator/>

¹²⁶ Zakres szumu określa zmierzone wartości od najniższej do najwyższej.

¹²⁷ Jest to określony numer zatwierdzonej przystawki w grupie przystawek.

¹²⁸ Zatwierdzone przystawki są podzielone na grupy przystawek. Każda grupa przystawek ma podobne cechy i naklejki.

Zatwierdzony osprzęt	Numer przystawki ¹²⁷	Grupa przystawek ¹²⁸	Przeznaczone do
Krawędziarka ESA850	22	21-30	325iLK
Nożyce do żywopłotu HA860	32	31-40	325iLK
Piła do cięcia gałęzi PAX730	41	41-50	325iLK
Piła do cięcia gałęzi PAX1100	42	41-50	325iLK
Piła PA1100	43	41-50	325iLK
Szczotka SR600-2	51	51-60	325iLK
Szczotka szczecinowa BR600	52	51-60	325iLK
Skaryfikator DT600	53	51-60	325iLK
Kultywator CA230	54	51-60	325iLK
Nożyce do chwastów RA850	2	1-10	525iLK

¹²⁷ Jest to określony numer zatwierdzonej przystawki w grupie przystawek.

¹²⁸ Zatwierdzone przystawki są podzielone na grupy przystawek. Każda grupa przystawek ma podobne cechy i naklejki.

Deklaracja zgodności

Deklaracja zgodności UE

Firma **Husqvarna AB**, SE-561 82 Huskvarna,
Szwecja, tel.: +46-36-146500, deklarujemy z pełną
odpowiedzialnością, że produkt:

Opis	Akumulatorowa jednostka zasilająca (podkaszarka)
Marka	Husqvarna
Typ/model	325iLK (samo urządzenie)
Identyfikacja	Numery seryjne z roku 2024 i nowsze

spełnia wszystkie wymogi określone w odpowiednich
dyrektywach i przepisach UE:

Dyrektywa/przepis	Opis
2006/42/WE	„w sprawie maszyn”
2014/30/EMC	„dotyczący zgodności elektromagnetycznej”
2011/65/UE	„w sprawie ograniczenia stosowania niektórych niebezpiecznych substancji”
2000/14/WE	„w sprawie emisji hałasu”

oraz został zaprojektowany zgodnie z następującymi
normami i specyfikacjami technicznymi: EN ISO
12100:2010, EN 62841-1:2015+AC:2015+A11:2022, EN
62841-4-2:2019+A11:2022+A1:2022, IEC 62841-4-4:
2020+A1:2024, IEC 62841-4-6:2022, ISO 11449:1994,
EN ISO 11680-1:2021, EN 61000-6-3:2007+A1:2011,
EN 61000-6-1:2016, EN IEC 63000:2018.

SMP Svensk Maskinprovning AB, Box 4053, SE-904
03 Umeå, Sweden przeprowadziło dobrowolne badanie
typu zgodnie z załącznikiem IX do dyrektywy
2006/42/WE. Nr certyfikatu: SEC/24/2593.

Jednostka notyfikowana: SMP Svensk Maskinprovning
AB, zweryfikował także zgodność z załącznikiem
V dyrektywy Rady 2000/14/WE. Nr certyfikatu:
01/1610/013.

Informacje dotyczące emisji hałasu podano w rozdziale
Dane techniczne na stronie 230.

Huskvarna, 2024-02-01

Osoba odpowiedzialna za dokumentację techniczną



Pan Stefan Holmberg, Dyrektor ds. badań i rozwoju,
Zarządzanie technologią, Husqvarna AB, Szwecja

CUPRINS

Introducere.....	234	Depanarea.....	244
Siguranță.....	235	Transportul, depozitarea și eliminarea.....	244
Asamblarea.....	241	Date tehnice.....	245
Funcționarea.....	241	Accesorii.....	246
Întreținerea.....	242	Declarație de conformitate.....	247

Introducere

Domeniul de utilizare

Aceasta sursă este o unitate de bază care funcționează numai împreună cu accesoriile agreate; consultați care

sunt accesoriile agreate în *Accesorii la pagina 246*. Asigurați-vă că parcurgeți acest manual și pe cel al accesoriului agreat.

Prezentare generală a produsului

(Fig. 1)

1. Manual de utilizare
2. 4 mm hex.
3. Mâner semicircular
4. Buton
5. Buton ON/OFF (Pornire/oprire)
6. Buton pentru modul de viteză
7. Mecanism de blocare întrerupător
8. Interfață utilizator
9. Întrerupător
10. Încărcător de baterie (accesoriu)
11. Încărcarea și indicatorul de eroare pe încărcător
12. Butoane de eliberare a bateriei
13. Baterie (accesoriu)
14. Indicator cu LED pentru starea încărcării
15. LED de avertisment
16. Buton indicator baterie
17. Cuplaj pentru accesoriu

(Fig. 4) Tensiune nominală, V

(Fig. 5) Curent continuu.

(Fig. 6) Produsul respectă directivele CE aplicabile.

(Fig. 7) Simbolurile de pe produs sau de pe ambalaj arată că acest produs nu poate fi tratat ca deșeu menajer. Acest produs trebuie trimis la o unitate de reciclare adecvată.

(Fig. 8) Produsul este protejat împotriva stropilor de apă.

aaaassxxxx

Plăcuța de identificare indică numărul de serie. **aaaa** este anul fabricației, **ss** este săptămâna fabricației, iar **xxxx** este numărul de ordine.

Nota: Acumulatorul și încărcătorul de acumulatori pot arăta diferit pentru modele diferite.

Nota: Alte simboluri/autocolante de pe produs se referă la cerințele de certificare pentru alte zone comerciale.

Simbolurile de pe produs

(Fig. 2) **AVERTISMENT!** Acest produs poate fi periculos! Utilizarea neatență sau incorectă poate duce la vătămări corporale grave sau mortale pentru operator sau alte persoane. Este extrem de important să citiți și să înțelegeți conținutul acestui manual de utilizare. Citiți cu atenție manualul de utilizare și asigurați-vă că înțelegeți instrucțiunile înainte ca produsul să fie utilizat.

Producător

Husqvarna AB

Drottninggatan 2, SE-561 82 Huskvarna, Sweden, tel: +46-36-146500

Deteriorarea produsului

Nu suntem responsabili pentru deteriorarea produsului dacă:

- produsul este reparat necorespunzător.
- produsul este reparat cu piese care nu provin de la producător sau care nu sunt aprobate de acesta.

(Fig. 3) Deconectați bateria înainte de a efectua lucrări de întreținere.

- produsul are un accesoriu care nu provine de la producător sau care nu este aprobat de acesta.
- produsul nu este reparat la un centru de service omologat sau de o autoritate omologată.

Asistență

Pentru asistență cu privire la produs, mergeți la secțiunea Asistență pentru a accesa instrucțiunile,

Siguranță

Definiții privind siguranța

Avertismentele, atenționările și notele sunt utilizate pentru a desemna părți foarte importante din manual.



AVERTISMENT: Se utilizează dacă există risc de vătămare sau de deces pentru operator sau pentru trecători, în cazul în care instrucțiunile din manual nu sunt respectate.



ATENȚIE: Se utilizează dacă există un risc de deteriorare a produsului, a altor materiale sau a zonelor învecinate, dacă instrucțiunile din manual nu sunt respectate.

Nota: Se utilizează pentru a furniza mai multe informații care sunt necesare într-o situație dată.

Avertismente generale privind siguranța uneltelor electrice



AVERTISMENT: Asigurați-vă că parcurgeți manualul accesoriului agreat și pe al acestei surse.



AVERTISMENT: Citiți toate avertismentele, instrucțiunile, ilustrațiile și specificațiile de siguranță furnizate cu această unealtă electrică. Nerespectarea instrucțiunilor enumerate mai jos poate avea ca rezultat electrocutare, incendii și/sau vătămări corporale grave.

Nota: Păstrați toate avertismentele și instrucțiunile pentru consultare ulterioară. Termenul „unealtă electrică” folosit în avertismente se referă la unealta electrică (cu cablu) acționată de la rețeaua de alimentare sau la unealta electrică (fără cablu) acționată de baterii.

ghidurile de depanare sau pentru a utiliza Husqvarna serviciul de Self-Service și Asistentul pentru produse (dacă este disponibil pe piața dvs.). Pentru asistență suplimentară pentru produs, adresați-vă reprezentanței de service Husqvarna.

Siguranța zonei de lucru

- **Păstrați zona de lucru curată și bine iluminată.** Zonele dezordonate sau întunecoase provoacă accidente.
- **Nu utilizați utilajele în locuri cu atmosferă explozivă, de exemplu, în prezența lichidelor, a gazelor sau prafurilor inflamabile.** Mașinile creează scântei care pot aprinde praful sau vaporii.
- **În timpul folosirii utilajului țineți la distanță copiii și orice alte persoane.** Distragerea atenției poate cauza pierderea controlului.

Siguranța privind echipamentele electrice

- **Mufa de conectare a utilajului trebuie să se potrivească la priză. Este interzisă modificarea de orice fel a fișei. Nu utilizați adaptoare de ștecăr cu utilajele cu împământare (legate la masă).** Fișele nemodificate și prizele potrivite reduc pericolul electrocutării.
- **Evitați contactul cu corpul a suprafețelor de împământare sau legate la masă, cum ar fi țevi, radiatoare, plite și răcitoare.** Există un pericol sporit de electrocutare dacă împământarea sau legarea la masă se face prin corpul dvs.
- **Nu expuneți utilajele la ploaie și la condiții de umiditate.** Pătrunderea apei în utilaj mărește riscul de electrocutare.
- **Nu folosiți cablul în mod abuziv. Nu utilizați niciodată cablul la transportarea, tragerea sau deconectarea utilajului. Feriți cablul de căldură, ulei, muchii ascuțite sau părțile în mișcare ale aparatului.** Cablurile deteriorate sau încurcate cresc riscul electrocutării.
- **Când lucrați cu utilajul afară, folosiți un cablu prelungitor potrivit pentru utilizarea la exterior.** Folosirea unui cablu adecvat pentru utilizarea la exterior reduce riscul de electrocutare.
- **Dacă întrebuințarea unui utilaj într-un loc cu umiditate mare nu poate fi evitată, utilizați o sursă cu dispozitiv de protecție împotriva curentului rezidual (RCD).** Folosirea unui RCD reduce pericolul de electrocutare.

Siguranța personală

- **Fiiți mereu atenți, uitați-vă la ce faceți și dați dovadă de simț practic când utilizați utilajul. Nu folosiți utilajul dacă sunteți obosit sau sub**

influența drogurilor, alcoolului sau medicamentelor.

Un moment de neatenție în timpul folosirii utilajului poate duce la leziuni grave.

- **Utilizați echipament individual de protecție. Purtați întotdeauna ochelari de protecție.** Purtarea echipamentelor de protecție individuală, cum ar fi masca împotriva prafului, încălțăminte de protecție antiderapantă, cască de protecție sau căștile de protecție auditivă, corespunzător tipului și utilizării sculei electrice, reduce riscul răniilor.
- **Evitați pornirea accidentală. Înainte de a conecta utilajul la sursa de alimentare și/sau la baterie, de a o ridica sau de a o transporta, comutatorul trebuie să fie în poziția oprit.** Transportul utilajelor cu degetul pe comutator sau conectarea la priză a utilajelor pornite poate duce la accidente.
- **Îndepărtați toate cheile de reglare sau cheile fixe înainte de a porni utilajul.** O cheie fixă care a rămas prinsă la o piesă rotativă a utilajului poate duce la răniri.
- **Nu vă întindeți prea mult. Să aveți întotdeauna o poziție stabilă și păstrați-vă întotdeauna echilibrul.** Acest lucru permite un control mai bun al utilajului în situații neașteptate.
- **Îmbrăcați-vă corespunzător. Nu purtați haine largi sau bijuterii. Țineți părul și îmbrăcămintea la distanță de piesele în mișcare.** Hainele lejere, bijuteriile sau părul lung pot fi prinse de piesele aflate în mișcare.
- **Dacă este posibilă montarea dispozitivelor de aspirare și colectare a prafului, asigurați-vă că acestea sunt conectate și utilizate corespunzător.** Folosirea dispozitivelor de aspirare a prafului poate reduce pericolele legate de praf.
- **Nu vă bazați pe o siguranță greșită și nu ignorați regulile de siguranță pentru scule electrice, chiar dacă sunteți familiarizat prin utilizarea multiplă a sculei electrice.** Comportamentul neglijent poate cauza accidente grave în doar câteva fracțiuni de secundă.

Utilizarea și întreținerea utilajului

- **Nu suprasolicitați utilajul. Folosiți utilajul potrivit pentru munca pe care o efectuați.** Utilajul potrivit va efectua lucrarea mai rapid și în condiții de siguranță mai bune la viteza de lucru pentru care a fost proiectat.
- **Nu utilizați utilajul în cazul în care nu poate fi pornit sau oprit de la comutator.** Orice utilaj imposibil de controlat cu ajutorul comutatorului este periculos și trebuie reparat.
- **Deconectați ștecărul de la sursa de alimentare și/sau scoateți acumulatorul, dacă este detașabil, de la utilaj înainte de a face reglaje, de a schimba accesoriile sau de a depozita utilajul.** Aceste măsuri de prevenție împiedică pornirea accidentală a utilajului.
- **Nu lăsați utilajele nefolosite la îndemâna copiilor și nu permiteți persoanelor care nu sunt familiarizate cu ele sau cu instrucțiunile acestora să le**

folosească. În mâinile unei persoane fără experiență aceste utilaje pot fi periculoase.

- **Întrețineți utilajele și accesoriile. Verificați centrarea sau legarea incorectă a pieselor în mișcare, ruperea pieselor și orice alte stări care pot afecta funcționarea utilajelor. Dacă este avariat, duceți utilajul la reparat înainte de a-l folosi.** Multe accidente sunt provocate de utilajele prost întreținute.
- **Păstrați uneltele de tăiere ascuțite și curate.** Utilajele de tăiere cu tășuri ascuțite întreținute corespunzător au mai puține șanse să se blocheze și, în plus, sunt mai ușor de controlat.
- **Folosiți utilajul, accesoriile și piesele etc. în conformitate cu aceste instrucțiuni, luând în considerare condițiile de lucru și activitatea care urmează să fie efectuată.** Folosirea utilajului pentru operații diferite de cele pentru care este destinat poate duce la apariția unor situații periculoase.
- **Mențineți mânerul și suprafețele de prindere uscate, curate, fără ulei și unsoare.** Mânerul și suprafețele de prindere alunecoase nu permit operarea și controlul sigur ale utilajului în situații neprevăzute.

Utilizarea și întreținerea echipamentelor pe acumulator

- **Reîncărcați numai cu încărcătorul specificat de producător.** Un încărcător adecvat pentru un tip de baterie poate constitui pericol de incendiu atunci când este utilizat cu un alt tip de baterie.
- **Folosiți utilajele numai cu acumulatorii special indicați.** Utilizarea unui alt tip de acumulatori poate constitui pericol de vătămări corporale și de incendiu.
- **Când acumulatorul nu este utilizat, păstrați-l departe de alte obiecte metalice, precum agrafe de birou, monede, chei, cuie, șuruburi sau alte obiecte mici de metal, care pot crea o conexiune între borne.** Scurtcircuitarea bornelor bateriei poate cauza arsuri sau incendii.
- **În condiții de utilizare neadecvată, din baterie pot ieși stropi de lichid; evitați contactul.** Totuși, dacă intrați accidental în contact cu lichidul respectiv, spălați cu apă. Dacă lichidul intră în contact cu ochii, consultați un medic. Lichidul care se scurge din baterie poate cauza iritații sau arsuri.
- **Nu utilizați acumulatorul sau echipamentul dacă sunt deteriorate sau modificate.** Bateriile deteriorate sau modificate pot prezenta un comportament imprevizibil, care poate duce la incendii, explozii sau pericol de vătămări corporale.
- **Nu expuneți acumulatorul sau echipamentul la flăcări sau la temperaturi excesive.** Expunerea la flăcări sau la temperaturi de peste 130°C/265°F poate cauza explozii.
- **Respectați toate instrucțiunile de încărcare și nu încărcați acumulatorul sau echipamentul în afara intervalului de temperaturi specificat în instrucțiuni.** Încărcarea incorectă sau la temperaturi în afara

intervalului specificat poate duce la deteriorarea bateriei și crește pericolul de incendiu.

Service

- **Cereți ca utilajul să fie reparat numai de un tehnician de reparații calificat, care să folosească numai piese de schimb identice.** În acest fel se asigură menținerea securității utilajului.
- **Nu reparați niciodată acumulatori deteriorați.** Repararea acumulatorilor trebuie efectuată numai de către producător sau de către furnizorii de servicii autorizați.

Alte informații generale privind siguranța

- Dezactivați produsul înainte de a vă deplasa într-o altă zonă. Scoateți întotdeauna bateria când trimiteți produsul unei alte persoane.
- Nu puneți jos produsul niciodată fără a-l dezactiva și a scoate bateria. Nu lăsați produsul nesupravegheat atunci când este pornit.
- Unealta de tăiere nu se oprește imediat după oprirea produsului.
- Înainte de a utiliza produsul după un impact, verificați să nu prezinte semne de uzură sau de deteriorare și reparați-le dacă este necesar.
- În cazul în care apare ceva care blochează accesoriul de tăiere în timp ce utilizați produsul, opriți și dezactivați produsul. Asigurați-vă că accesoriul de tăiere se oprește complet. Scoateți bateria înainte de a curăța, inspecta sau repara produsul și/sau echipamentul de tăiere.
- Verificați produsul înainte de utilizare. Consultați *Dispozitivele de siguranță de pe produs la pagina 239 și Întreținerea la pagina 242*. Nu utilizați un produs deteriorat. Efectuați verificările de siguranță, instrucțiunile de întreținere și de service descrise în acest manual.
- Un accesoriu de tăiere defect poate crește pericolul de accidente.
- Verificați ca angrenajul să nu prezinte murdărie sau fisuri. Eliminați iarba și frunzele din angrenaj cu ajutorul unei perii. Atunci când este necesar, trebuie purtate mănuși.
- Asigurați-vă întotdeauna că deschiderile de ventilație nu prezintă reziduuri.
- Verificați fixarea completă a capului de tuns pe trimmer.
- Înainte de pornire, trebuie montate toate capacele, apărătoarele și mânerele.
- Verificați ca produsul să fie în perfectă stare de funcționare. Verificați ca toate șuruburile și piulițele să fie bine strânse.
- Verificați să nu fie deteriorate sau crăpate capul de tuns și apărătoarea pentru capul de tuns. Înlocuiți capul de tuns sau apărătoarea pentru capul de tuns dacă acestea au fost expuse la impact sau dacă sunt crăpate. Folosiți întotdeauna apărătoarea recomandată pentru accesoriul de tăiere pe care îl folosiți. Consultați *Date tehnice la pagina 245*.
- Acest produs este o unealtă periculoasă dacă nu sunteți atent sau dacă utilizați produsul incorect. Acest produs poate cauza vătămări corporale grave sau decesul operatorului sau al altor persoane.
- Acest dispozitiv nu este destinat persoanelor (inclusiv copii) cu capacități fizice, senzoriale sau mintale reduse sau care nu au experiența și cunoștințele necesare, cu excepția situației în care sunt supravegheate sau au primit instrucțiuni referitoare la utilizarea dispozitivului din partea unei persoane responsabile pentru siguranța lor. Copiii trebuie supravegheați, pentru a vă asigura că nu se joacă cu echipamentul.
- Nu permiteți copiilor să folosească utilajul sau să stea în apropierea acestuia. Deoarece utilajul poate fi pornit cu ușurință, copiii îl pot porni dacă nu sunt supravegheați atent. Există riscul unor vătămări corporale grave. Așadar, deconectați bateria dacă utilajul nu se află sub supraveghere atentă.
- Nu permiteți copiilor sau altor persoane neinstruite cu privire la operarea produsului și/sau a bateriei să le utilizeze sau să le depaneze.
- Depozitați echipamentul într-un spațiu care poate fi încuiat și în care nu pot ajunge copiii și persoanele neautorizate.
- Aparătoria pentru transport trebuie întotdeauna utilizată pentru depozitare și transport.
- Feriți în permanență mâinile și picioarele de zona de tăiere, cu precădere la pornirea motorului.
- Țineți mâinile și picioarele la distanță de accesoriul de tăiere până când acesta s-a oprit complet atunci când produsul este dezactivat.
- Nu îndepărtați materialul tăiat și nu lăsați alte persoane să îl îndepărteze în timp ce produsul este pornit sau echipamentul de tăiere se rotește, deoarece aceasta poate duce la vătămări corporale grave.
- Rețineți că este responsabilitatea dvs., în calitate de operator, să nu expuneți alte persoane sau proprietatea acestora la accidente sau la pericole.
- Nu modificați sub nicio formă designul produsului fără permisiunea producătorului. Utilizați întotdeauna accesoriile originale. Modificările și/sau accesoriile neautorizate pot avea drept rezultat vătămări corporale grave sau decesul operatorului sau al altor persoane. Garanția nu poate acoperi daunele sau răspunderea civilă cauzate de utilizarea de accesorii sau de piese de schimb neautorizate.
- Singurele accesorii pe care le puteți utiliza cu acest produs sunt accesoriile de tăiere recomandate în capitolul Accesorii. Consultați *Accesorii la pagina 246*.
- Nu utilizați niciodată un produs care a fost modificat în orice mod față de specificația sa inițială
- Nu utilizați niciodată un produs defect. Efectuați verificările de siguranță, operațiile de întreținere și de service descrise în acest manual. Anumite operații de întreținere și de service trebuie efectuate de specialiști instruiți și calificați. Consultați instrucțiunile din subcapitolul Întreținerea.

- Lucrul în condiții de vreme nefavorabilă este obositor și adesea aduce un plus de risc. Din cauza riscului suplimentar, nu se recomandă utilizarea aparatului în condiții de vreme nefavorabilă, cum ar fi ceață densă, ploaie abundentă, vânt puternic, frig pătrunzător, risc de descărcări electrice etc.
- Nu lucrați niciodată de pe o scară, un taburet sau din orice altă poziție ridicată care nu este complet fixată.
- Depozitați aparatele inactice în interior – când nu sunt utilizate, aparatele trebuie depozitate în interior
- Nu este posibil să prezentăm toate situațiile imaginabile cu care vă puteți confrunța. Lucrați întotdeauna cu atenție și folosiți-vă gândirea. Evitați toate situațiile care considerați că vă depășesc capacitatea de reacție. Dacă totuși vă simțiți nesiguri în legătură cu procedurile de operare după citirea acestor instrucțiuni, trebuie să consultați un specialist înainte de a continua.
- Asigurați-vă că nicio persoană și niciun animal nu se apropie la mai mult de 50 ft (15 m) în timp ce lucrați. Când mai mulți operatori lucrează în aceeași locație, distanța de siguranță trebuie să fie de cel puțin 50 ft. (15 m). În caz contrar, există riscul unor vătămări corporale grave. Opriti produsul imediat dacă se apropie cineva. Nu rotiți niciodată produsul în jur fără a verifica mai întâi în spatele dvs., pentru a vă asigura că nu se află nimeni în zona de siguranță.
- Asigurați-vă că oamenii, animalele sau alte lucruri nu vă pot afecta controlul asupra produsului sau că nu vin în contact cu accesoriul de tăiere sau obiectele desprinse care sunt proiectate de accesoriul de tăiere. Totuși, nu utilizați produsul decât în situații în care puteți solicita ajutor în eventualitatea unui accident.
- Asigurați-vă că vă puteți deplasa și sta în picioare în siguranță. Verificați dacă în zona din jurul dvs. nu există posibile obstacole (rădăcini, pietre, crengi, șanțuri etc.) în caz că trebuie să vă deplasați brusc. Aveți mare grijă în timp ce lucrați pe teren în pantă.
- Mergeți, nu alergați niciodată.
- Inspectați zona de lucru. Îndepărtați toate obiectele libere, precum pietre, sticlă spartă, cuie, fire de oțel, sfoară etc. care pot fi proiectate sau se pot înnășura în jurul frezei sau apărătorii frezei.
- Atenție la cioturile de ramuri care pot fi proiectate în timp ce efectuați tăierea. Nu tăiați prea aproape de sol, unde pietrele și alte obiecte pot fi proiectate.
- Asigurați-vă că accesoriul de tăiere nu intră în contact cu haine sau părți ale corpului atunci când produsul este activat. Țineți produsul sub nivelul taliei.
- Fiți atenți la obiectele azvârlite. Purtați întotdeauna echipament de protecție pentru ochi aprobat. Nu vă aplecați niciodată asupra apărătoarei accesoriului de tăiere. Pietrele, gunoii etc. pot fi azvârlite în ochi, cauzând orbire sau vătămare gravă.
- Ascultați semnalele de avertisment sau strigătele când purtați echipament pentru protecția auzului. Îndepărtați întotdeauna protecția pentru auz imediat ce se oprește produsul.

- În caz de vibrații nedorite, apăsați pe butonul de linie nouă pentru a conferi liniei lungimea corectă pentru a opri vibrațiile.
- Dacă produsul începe să vibreze anormal, opriți-l și scoateți bateria.
- Expunerea prelungită la vibrații poate conduce la afecțiuni circulatorii sau la deteriorări ale nervilor la persoanele cu circulație defectuoasă. Discutați cu medicul dacă prezentați simptome de expunere prelungită la vibrații. Astfel de simptome includ amorțeală, pierderea sensibilității tactile, gădilături, ciupituri, durere, pierderea forței, modificări în culoarea sau starea pielii. Aceste simptome apar de obicei la degete, la mâini sau la încheieturi.
- Țineți întotdeauna produsul cu ambele mâini. Țineți produsul pe partea dreaptă a corpului.

Echipament de protecție personală



AVERTISMENT: Înainte de a utiliza produsul, citiți instrucțiunile de avertizare de mai jos.

- Utilizați întotdeauna echipamente de protecție personală atunci când folosiți produsul. Echipamentele de protecție personală nu pot elimina complet riscul de rănire, însă pot reduce gravitatea rănilor în cazul unui accident. Distribuitorul vă poate ajuta să alegeți echipamentul corect.
- Utilizați o cască de protecție în caz că există riscul ca unele obiecte să cadă.
- Purtați echipament de protecție pentru urechi aprobat pentru utilizare, care asigură reducerea adecvată a zgomotului. Expunerea pe termen lung la zgomot poate avea ca rezultat o afecțiune ireversibilă a auzului.
- Utilizați ochelari de protecție omologați. Dacă utilizați un vizor de protecție, trebuie să purtați și ochelari de protecție. Ochelarii de protecție trebuie să fie conformi cu standardul ANSI Z87.1 în S.U.A. sau EN 166 în țările din UE.
- Utilizați o vizieră pentru protecția feței. Viziera nu este suficientă pentru protejarea ochilor. (Fig. 9)
- Purtați mănuși atunci când este necesar, de exemplu atunci când conectați, inspectați sau curățați echipamentul de tăiere.
- Utilizați ghete solide, cu talpă antiaderentă.
- Purtați haine din țesături rezistente. Purtați întotdeauna pantaloni lungi, din material gros, și îmbrăcăminte cu mâneci lungi. Nu purtați haine largi, care se pot prinde în smicele și ramuri. Nu purtați bijuterii, șort, sandale și nu lucrați în picioarele goale. Strângeți-vă părul în siguranță, deasupra nivelului umărului. (Fig. 10)
- Păstrați la îndemână echipament de prim ajutor. (Fig. 11)

Dispozitivele de siguranță de pe produs



AVERTISMENT: Înainte de a utiliza produsul, citiți instrucțiunile de avertizare de mai jos.

În această secțiune sunt descrise caracteristicile de siguranță al produsului, scopul său și modul în care trebuie efectuate verificările și întreținerea pentru a asigura funcționarea corectă. A se vedea instrucțiunile din capitolul *Introducere la pagina 234* pentru a afla unde sunt amplasate aceste piese pe produsul dvs.

Durata de viață a produsului se poate reduce, iar riscul de accidente se poate mări dacă întreținerea produsului nu este efectuată corect, iar reglarea și/sau reparațiile nu sunt executate în mod profesional. Dacă aveți nevoie de informații suplimentare, contactați cel mai apropiat furnizor de service.



AVERTISMENT: Nu utilizați niciodată un produs cu componente de siguranță deteriorate. Echipamentul de siguranță al produsului trebuie inspectat și întreținut conform indicațiilor din acest capitol. Dacă produsul nu trece oricare dintre următoarele verificări, contactați agentul de service pentru reparații.



ATENȚIE: Toate activitățile de service și de reparații de pe aparat necesită instruire specială. Acest lucru este adevărat în special în legătură cu echipamentul de siguranță al aparatului. În cazul în care aparatul dvs. nu trece de oricare dintre verificările descrise mai jos, trebuie să vă contactați agentul de service. Atunci când achiziționați oricare dintre produsele noastre, garantăm disponibilitatea reparațiilor și service-ului profesionist. Dacă vânzătorul cu amănuntul care vă vinde aparatul nu este dealer de service, solicitați-i adresa celui mai apropiat agent de service.

Pentru a verifica interfața cu utilizatorul

1. Apăsăți și țineți apăsat butonul ON/OFF (A). (Fig. 12)
 - a) Produsul este pornit când se aprinde afișajul (B).
 - b) Produsul este oprit când afișajul este stins.
2. Consultați *Tastatură la pagina 244*, dacă indicatorul de avertisment de pe afișaj este aprins sau se aprinde intermitent.

Verificarea opritorului întrerupătorului

Dispozitivul de blocare al întrerupătorului este proiectat să prevină funcționarea accidentală. Când apăsați dispozitivul de blocare a întrerupătorului înainte (A) și apoi apăsați pe dispozitivul de blocare spre mânerul (B), întrerupătorul (C) este eliberat. Când eliberați mânerul,

întrerupătorul și opritorul acestuia se deplasează înapoi în pozițiile lor inițiale. Această mișcare este efectuată de trei arcuri independente. (Fig. 13)

1. Asigurați-vă că întrerupătorul este blocat atunci când dispozitivul de blocare este în poziția sa inițială. (Fig. 14)
2. Apăsăți dispozitiv de blocare a întrerupătorului înainte (A) și în jos. Mențineți dispozitivul de blocare a întrerupătorului apăsat pe mânerul (B) și asigurați-vă că revine la poziția inițială atunci când îl eliberați. (Fig. 15)
3. Asigurați-vă că întrerupătorul și dispozitivul de blocare aferent se mișcă liber și dacă arcurile de rapel funcționează corect. (Fig. 16)
4. Apăsăți și mențineți apăsat butonul ON/OFF pentru a seta produsul la ON.
5. Apăsăți complet întrerupătorul pentru a aplica viteza maximă.
6. Eliberați întrerupătorul și asigurați-vă că accesoriul de tăiere se oprește și rămâne nemișcat.

Instrucțiuni de siguranță pentru asamblare



AVERTISMENT: Parcurgeți manualul acestei surse și pe cel al accesoriului agreed.

- Scoateți bateria din produs înainte de a asambla produsul.
- Utilizați mănuși de protecție omologate.
- O apărătoare defectă sau incorectă poate provoca vătămări corporale. Nu utilizați un accesoriu de tăiere la care nu este montată apărătorea corespunzătoare.
- Asamblați corect capacul și arborele înainte de a porni produsul.
- Dacă împreună cu accesoriul este furnizat și un ham, hamul trebuie fixat corect pe produs. Hamul asigură funcționarea în siguranță și previne vătămarea operatorului sau altor persoane.

Siguranța bateriei



AVERTISMENT: Înainte de a utiliza produsul, citiți instrucțiunile de avertizare de mai jos.

- Folosiți numai acumulatori Husqvarna aprobați. Consultați *Baterii aprobate la pagina 245*. Bateriile sunt criptate prin software.
- Utilizați numai acumulatori Husqvarna aprobați ca sursă de alimentare pentru produsele Husqvarna asociate. Pentru a evita rănirea, nu folosiți bateria ca sursă de alimentare pentru alte dispozitive.

- Risc de electrocutare. Nu conectați bornele bateriei la chei, monede, șuruburi sau alte metale. Aceasta poate cauza scurtcircuitarea bateriei.
- Nu utilizați baterii nereîncărcabile.
- Nu puneți obiecte în fantele de aerisire a bateriei.
- Feriți bateria de lumina solară, de căldură sau de flăcări deschise. Bateria poate provoca arsuri și/sau arsuri chimice.
- Feriți bateria de ploaie și de condiții de umezeală.
- Feriți bateria de microunde și de înaltă presiune.
- Nu încercați să demontați sau să spargeți bateria.
- Dacă există scurgeri de lichid dintr-o baterie, nu lăsați lichidul să intre în contact cu pielea sau ochii. Dacă ați atins lichidul, curățați zona cu săpun și apă din abundență și consultați medicul. Dacă lichidul pătrunde în ochi, nu frecați, ci spălați-vă cu multă apă timp de cel puțin 15 minute și consultați medicul.
- Utilizați bateria la temperaturi între -10 °C (14 °F) și 40 °C (114 °F).
- Nu curățați niciodată cu apă bateria sau încărcătorul de baterii. Consultați *Curățarea produsului, bateriei și încărcătorului la pagina 243*.
- Nu folosiți baterii deteriorate sau care nu funcționează corect.
- Depozitați bateriile la distanță de obiecte de metal, de exemplu cuie, șuruburi sau bijuterii.
- Nu lăsați bateria la îndemâna copiilor.

coroziune. Asigurați-vă că încărcătorul de baterii nu este acoperit. În caz de fum sau de incendiu, scoateți ștecărul încărcătorului de baterii.

- Încărcați bateria numai în interior, într-un loc cu aerisire adecvată și departe de lumina soarelui. Nu încărcați bateria în exterior. Nu încărcați bateria în medii umede.
- Utilizați încărcătorul de baterii la temperaturi între 5 °C (41 °F) și 40 °C (104 °F). Utilizați încărcătorul într-un mediu foarte bine ventilat, uscat și fără praf.
- Nu puneți obiecte în fantele de răcire a încărcătorului de baterii.
- Nu atingeți niciodată bornele încărcătorului de baterii cu obiecte metalice, deoarece se pot crea scurtcircuite.
- Utilizați prize aprobate care nu sunt deteriorate. Asigurați-vă că nu este deteriorat cablul încărcătorului. Dacă sunt utilizate cabluri prelungitoare, asigurați-vă că acestea nu sunt deteriorate.

Instrucțiuni de siguranță pentru întreținere



AVERTISMENT: Înainte de a efectua lucrări de întreținere asupra produsului, citiți instrucțiunile de avertisment de mai jos.

- Scoateți bateria înainte de a efectua întreținerea, alte verificări sau de a asambla produsul.
- Operatorul trebuie să efectueze numai operațiile de întreținere și service indicate în acest manual al operatorului. Apelați la reprezentantul de service pentru întreținerea și service-ul de mai mare amploare.
- Nu curățați niciodată bateria sau încărcătorul cu apă. Detergenții puternici poate deteriora plasticul.
- Dacă nu efectuați operații de întreținere, durata de viață a produsului scade, iar pericolul de accidente crește.
- Este necesară instruirea profesională specială pentru toate lucrările de service și reparații, mai ales pentru dispozitivele de siguranță de pe produs. Dacă nu sunt aprobate toate verificările din acest manual al operatorului, după ce ați efectuat operațiile de întreținere, apelați la reprezentantul de service. Vă garantăm că există servicii profesionale de reparații și service disponibile pentru produsul dvs.
- Utilizați doar piese de schimb originale.
- Când efectuați operații de reparație a accesoriului de tăiere, utilizați întotdeauna mănuși de protecție rezistente. Lamele sunt foarte ascuțite și pot provoca cu ușurință vătămări corporale.

Siguranța încărcătorului de baterii



AVERTISMENT: Înainte de a utiliza produsul, citiți instrucțiunile de avertizare de mai jos.

- Există riscul de electrocutare sau de scurtcircuit dacă nu sunt respectate instrucțiunile de siguranță.
- Nu utilizați alte încărcătoare de baterii decât cel furnizat pentru produsul dvs. Utilizați exclusiv încărcătoare de acumulatori Husqvarna, pentru a încărca acumulatori Husqvarna aprobați. Consultați *Date tehnice la pagina 245* pentru instrucțiuni.
- Nu încercați să dezasamblați încărcătorul de baterii.
- Nu utilizați un încărcător deteriorat sau care nu funcționează corect.
- Nu ridicați încărcătorul de baterii ținând de cablul de alimentare. Pentru a deconecta încărcătorul de baterii de la priza de perete, trageți de ștecăr. Nu trageți de cablul de alimentare.
- Feriți toate cablurile și prelungitoarele de apă, ulei și muchii ascuțite. Asigurați-vă că acest cablu nu este prins între obiecte, de exemplu uși, garduri sau în alte locuri similare.
- Nu utilizați încărcătorul de baterii în apropiere de materiale inflamabile sau materiale care pot cauza

Asamblarea

Montarea mânerului semicircular

1. Atașați mânerul semicircular pe arbore între săgeți. Nu amplasați mânerul semicircular sau inelul de agățare pe etichetă. (Fig. 17)
2. Introduceți șaiba în locașul mânerului semicircular.
3. Atașați piulița, butonul și șurubul; nu strângeți prea tare.
4. Ajustați produsul într-o poziție confortabilă.
5. Strângeți bolțul.

Asamblarea arborelui din două componente

1. Rotiți butonul, pentru a slăbi cuplajul. (Fig. 18)
2. Aliniați clapeta (A) cu săgeata (B) de pe cuplaj. (Fig. 19)
3. Împingeți arborele în cuplaj până când se fixează în poziție. (Fig. 20)
4. Strângeți complet rozeta. (Fig. 21)

Pentru dezasamblarea arborelui din două componente

1. Rotiți butonul 3 ture sau mai mult, pentru a slăbi cuplajul. (Fig. 22)
2. Țineți apăsat butonul (C).
3. Țineți strâns de capătul arborelui la care este atașat motorul.
4. Trageți accesoriul din cuplaj. (Fig. 23)

Instalarea inelului de suspensie dacă este cazul

1. Instalați inelul de suspensie între săgețile de pe mânerul din spate și mânerul buclei. (Fig. 24)

Nota: Nu amplasați mânerul buclei pe autocolant.

2. Reglați inelul astfel încât produsul să fie echilibrat și ușor de utilizat.

Funcționarea

Introducere



AVERTISMENT: Citiți și înțelegeți capitolul referitor la siguranță înainte de utilizarea produsului.

Husqvarna Connect

Husqvarna Connect este o aplicație gratuită pentru dispozitivul dvs. mobil. Aplicația Husqvarna Connect vă oferă funcții extinse pentru produsul dvs. Husqvarna.

- Informații pe larg despre produs.
- Informații despre piese pentru produse și service și asistență pentru acestea.

Cum se începe utilizarea Husqvarna Connect

1. Descărcați aplicația Husqvarna Connect pe dispozitivul dvs. mobil.
2. Înregistrați-vă în aplicația Husqvarna Connect.
3. Urmați pașii cu instrucțiuni din aplicația Husqvarna Connect pentru a conecta și înregistra produsul.

Nota: Aplicația Husqvarna Connect nu este disponibilă pentru descărcare pe toate piețele. Adresați-vă reprezentantului de service pentru informații suplimentare.

Pentru conectarea bateriei la produs



AVERTISMENT: Utilizați numai baterii originale Husqvarna cu produsul.

1. Asigurați-vă că bateria este încărcată complet.
2. Împingeți bateria în suportul de baterie al produsului. Când auziți un clic, înseamnă că bateria s-a blocat în poziția corectă. (Fig. 25)



ATENȚIE: Dacă bateria nu se deplasează cu ușurință în suportul de baterie, înseamnă că bateria nu este instalată corect. Aceasta poate deteriora produsul.

3. Asigurați-vă că bateria este instalată corect.

Încărcarea bateriei

Nota: Încărcați bateria dacă este prima dată când o folosiți. O baterie nouă este încărcată doar până la 30%.

1. Asigurați-vă că acumulatorul este uscat.
2. Introduceți bateria în încărcător. (Fig. 26)

Nota: Acumulatorul și încărcătorul de acumulatori pot arăta diferit la modelele diferite, dar procedura este aceeași.

- Asigurați-vă că lumina verde de încărcare de pe încărcător se aprinde. Acest lucru înseamnă că bateria este conectată corect la încărcător.
- Atunci când toate LED-urile de pe baterie sunt aprinse, bateria este încărcată complet. (Fig. 27)
- Pentru a deconecta încărcătorul de baterii de la priza de perete, trageți de ștecăr. Nu trageți de cablu.
- Scoateți bateria din încărcător.

Nota: Consultați manualele bateriei și încărcătorului pentru mai multe informații.

Poziție de lucru

- Țineți produsul cu ambele mâini.
- Țineți produsul pe partea dreaptă a corpului.
- Țineți accesoriul de tăiere sub nivelul taliei.
- Nu apropiați părțile corpului de suprafețele fierbinți.
- Nu apropiați părțile corpului de accesoriul de tăiere.

Înainte de a utiliza produsul

- Examinați zona de lucru pentru a vă asigura că sunteți familiarizat cu tipul de teren, cu panta solului și cu eventualele obstacole, precum pietrele, ramurile și șanțurile.
- Efectuați o inspecție globală a produsului.
- Efectuați inspecțiile de siguranță, întreținerea și operațiile de service indicate în acest manual.
- Asigurați-vă că toate capacele, apărătoarele, mânerul și accesoriile sunt atașate corect și nu sunt deteriorate.

Pornirea produsului

- Apăsăți lung butonul ON/OFF până când LED-ul verde se aprinde. (Fig. 28)

- Utilizați întrerupătorul pentru a controla viteza.

Pentru a limita viteza maximă cu butonul de mod

Produsul are un buton de mod. Cu ajutorul butonului de mod, operatorul poate limita turația maximă. Butonul de mod are 3 niveluri de viteză. Un nivel mai scăzut crește durata de funcționare a produsului. Butonul de mod are 3 niveluri de viteză. Un nivel mai scăzut crește durata de funcționare a produsului. Utilizați nivelul 1 și nivelul 2 dacă operația nu necesită viteză maximă/putere maximă. În cazul în care condițiile de funcționare necesită turația maximă/puterea maximă, utilizați nivelul 3. Nu utilizați un nivel mai ridicat decât este necesar pentru funcționare.

- Apăsăți butonul de mod pentru a seta o limită a vitezei maxime. LED-urile alb se aprind pentru a indica faptul că funcția este activă. (Fig. 29)
- Apăsăți din nou butonul de mod pentru a selecta următorul nivel de turație.

Funcția de oprire automată

Produsul are o funcție de oprire automată care oprește produsul dacă nu îl folosiți timp de 3 minute.

Oprirea produsului

- Eliberați întrerupătorul sau opritorul întrerupătorului.
- Apăsăți butonul ON/OFF. (Fig. 30)
- Apăsăți butoanele de eliberare de pe baterie și scoateți bateria. (Fig. 31)

Întreținerea

Introducere



AVERTISMENT: Înainte de a efectua orice lucrări de întreținere, citiți și înțelegeți capitolul privind siguranța.

Program de întreținere



AVERTISMENT: Scoateți bateria înainte de a efectua operații de întreținere.

În continuare prezentăm o listă de pași de întreținere care trebuie efectuați asupra aparatului. Pe lângă întreținerea specificată în programul de întreținere, solicitați unui distribuitor de service Husqvarna să efectueze în mod regulat operații de service asupra produsului. Pentru informații despre intervalele de service, adresați-vă distribuitorului de service Husqvarna.

Întreținere	Zilnic	Săptămănal	Lunar
Curățați componentele externe ale produsului cu o cârpă uscată. Nu folosiți apă.	X		

Întreținere	Zilnic	Săptămănal	Lunar
Verificați dacă butonul de pornire/oprire funcționează corect și nu este deteriorat.	X		
Asigurați-vă că întrerupătorul și opritorul întrerupătorului funcționează corect din punct de vedere al siguranței.	X		
Asigurați-vă că toate comenzile funcționează și nu sunt deteriorate.	X		
Mențineți mânerele uscate, curate, fără ulei și unsoare.	X		
Asigurați-vă că șuruburile și piulițele sunt strânse.	X		
Asigurați-vă că butoanele de eliberare de pe baterie funcționează și blochează bateria în produs.	X		
Asigurați-vă că bateria nu este deteriorată.	X		
Asigurați-vă că bateria este încărcată.	X		
Asigurați-vă că încărcătorul bateriei nu este deteriorat și că funcționează corect.	X		
Examinați toate cablurile, cuplajele și conexiunile. Asigurați-vă că nu sunt deteriorate și nu sunt murdare.		X	
Verificați legăturile dintre baterie și produs. Verificați legăturile dintre baterie și încărcătorul bateriei.			X

Curățarea produsului, bateriei și încărcătorului

1. Curățați produsul cu o cârpă uscată după utilizare.
2. Curățați bateria și încărcătorul de baterii cu o cârpă uscată. Mențineți curate șinele de ghidaj al bateriei.
3. Asigurați-vă că bornele bateriei și încărcătorul de baterii sunt curate, înainte ca bateria să fie introdusă în încărcător sau produs.

Arbore din două componente

Aplicați unsoare la capătul arborelui conducător după fiecare 30 de ore de funcționare. Există riscul de gripare a capetelor arborelui de antrenare (cuplaj canelat) pe modelele cu arborii din două componente, dacă acestea nu sunt lubrifiate regulat. (Fig. 32)

Depanarea

Tastatură

Afișaj LED	Erori posibile	Acțiune posibilă
LED-ul verde clipește intermitent	Tensiune joasă a bateriei.	Încărcați bateria.
LED-ul roșu de eroare se aprinde intermitent	Suprasolicitare.	Accesorii de tăiere este blocat. Dezactivați produsul. Îndepărtați bateria. Curățați accesoriul de tăiere de materialele nedorite.
	Deviație de temperatură.	Lăsați produsul să se răcească.
	Înterupătorul și butonul de activare sunt apăsat simultan.	Eliberați înterupătorul și produsul se activează.
Produsul nu pornește	Murdărie în conectorii bateriei.	Curățați conectorii bateriei cu aer comprimat sau cu o perie moale.
LED-ul de eroare luminează continuu în roșu	Produsul necesită service.	Contactați agentul de service.

Transportul, depozitarea și eliminarea

Transportul și depozitarea

- Bateriile cu ioni de litium furnizate respectă cerințele legislației privind bunurile periculoase.
- Respectați cerințele speciale de pe ambalaj și etichete privind transportul comercial, inclusiv cele emise de către terțe părți și companiile de expediție.
- Discutați cu o persoană care a beneficiat de instruire specială privind materialele periculoase înainte de a trimite produsul. Respectați toate reglementările naționale aplicabile.
- Aplicați bandă adezivă pe contactele expuse atunci când introduceți bateria într-un pachet. Bateria trebuie ambalată astfel încât să nu se poată deplasa în interiorul pachetului.
- La depozitare și la transport, scoateți întotdeauna bateria.
- Puneți bateria și încărcătorul de baterii într-un spațiu uscat și ferit de umezeală și îngheț.
- Nu păstrați bateria într-un loc în care poate apărea electricitate statică. Nu depozitați bateria într-o cutie metalică.
- Depozitați bateria la temperaturi între 5°C (41°F) și 25°C (77°F), într-un loc ferit de radiațiile solare directe.
- Depozitați încărcătorul de baterii la temperaturi între 5°C (41°F) și 45°C (113°F), într-un loc ferit de lumină solară directă.
- Utilizați încărcătorul de baterii numai la temperaturi ambiante cuprinse între 5°C/41°F și 40°C/104°F.

- Încărcați bateria în proporție de 30-50% înainte de a o depozita pe o perioadă lungă.
- Depozitați încărcătorul de baterii într-un spațiu închis și uscat.
- Nu depozitați bateria lângă încărcătorul bateriei. Nu lăsați copii și alte persoane neautorizate să atingă echipamentul. Păstrați echipamentul într-un spațiu pe care îl puteți încuia.
- Curățați produsul și efectuați un service complet înainte de a depozita produsul pentru o perioadă lungă de timp.
- Utilizați apărătoarea de transport pe produs pentru a preveni accidentarea sau deteriorarea produsului în timpul transportului și depozitării.
- Fixați foarte bine produsul în timpul transportului.

Eliminarea bateriei, încărcătorului acesteia și a produsului

Simbolurile de pe produs sau de pe ambalajul acestuia înseamnă că produsul nu este deșeu menajer. Reciclați-l la un centru de reciclare pentru echipamente electrice și electronice. Această măsură ajută la protejarea mediului și a oamenilor.

Luați legătura cu autoritățile locale, centrul de colectare a reziduurilor menajere sau distribuitorul pentru mai multe informații despre modul de reciclare a produsului dvs.

Date tehnice

Date tehnice

	325iLK
Motor	
Tip de motor	BLDC (fără perii) de 36 V
Viteza arborelui de ieșire, rot/min	8400
Greutate	
Greutate (numai sursa), kg	2,9
Emisii de zgomot ^{129, 130}	
Nivel de putere acustică, măsurat dB(A)	89-103
Nivel de putere acustică, garantat L _{WA} dB(A)	90-106
Niveluri de zgomot ^{131, 132}	
Nivelul echivalent de presiune acustică la urechea operatorului, măsurat în conformitate cu EN 62841-1, dB(A):	78-93
Niveluri de vibrații ^{133, 134}	
Nivelurile de vibrații la mână, măsurate în conformitate cu EN 62841-1, m/s ²	1,3-5,5/1,1-3,1

Baterii aprobate

Baterie	BLI200	40-B220X
Tip	Litiu-ion	Litiu-ion
Capacitate baterie, Ah	5,2	6,0
Tensiune nominală, V	36	36
Greutate, kg (lb)	1,3 (2,9)	1,4 (3,1)

¹²⁹ Emisii de zgomot în mediu măsurate ca putere acustică (LWA) în conformitate cu directiva CE 2000/14/CE. Nivelul de putere a sunetului raportat pentru aparat a fost măsurat cu accesoriul original de tăiere care emite cel mai ridicat nivel. Diferența dintre puterea garantată a sunetului și cea măsurată este aceea că puterea garantată a sunetului include, de asemenea, dispersia în rezultatul de măsurare și variațiile dintre diferitele aparate ale aceluiași model conform Directivei 2000/14/CE.

¹³⁰ Nivelul de zgomot indică valoarea cea mai mică și cea mai mare măsurată.

¹³¹ Datele raportate pentru nivelul de presiune a zgomotului pentru utilaj au o dispersie statistică tipică (deviație standard) de 3 dB (A) și au fost măsurate cu accesoriul original care oferă cel mai înalt nivel.

¹³² Nivelul de zgomot indică valoarea cea mai mică și cea mai mare măsurată.

¹³³ Datele raportate pentru nivelul de vibrații prezintă o dispersie statistică tipică (abatere standard) de 2 m/s². Pentru compararea nivelurilor de vibrații dintre produsele cu baterie și cele cu benzină folosiți calculatorul de vibrații. <https://www.husqvarna.com/uk/services-solutions/vibration-calculator/>.

¹³⁴ Nivelul de zgomot indică valoarea cea mai mică și cea mai mare măsurată.

Încărcătoare de baterii omologate

Încărcător de baterii	QC330	40-C500X
Tensiune de intrare, V	100-240	100-240
Frecvență, Hz	50-60	50-60
Putere, W	330	500

Accesorii

Accesorii

Accesorii aprobate	Număr accesoriu ¹³⁵	Grup de accesorii ¹³⁶	Se utilizează cu
Accesoriu freză cu perie BCA850	1	1-10	325iLK
Accesoriu suflantă BA101	11	11-20	325iLK
Accesoriu de bordurare ECA850	21	21-30	325iLK
Accesoriu de bordurare ESA850	22	21-30	325iLK
Accesoriu pentru tuns gard viu HA860	32	31-40	325iLK
Accesoriu motoferăstrău pentru egalaj PAX730	41	41-50	325iLK
Accesoriu motoferăstrău pentru egalaj PAX1100	42	41-50	325iLK
Accesoriu ferăstrău PA1100	43	41-50	325iLK
Accesoriu de suflare pentru curățare SR600-2	51	51-60	325iLK
Accesoriu perie cu țepi BR600	52	51-60	325iLK
Accesoriu scarificator DT600	53	51-60	325iLK
Accesoriu cultivator CA230	54	51-60	325iLK
Accesoriu ferăstrău circular RA850	2	1-10	525iLK

¹³⁵ Acesta este un număr specific unui accesoriu aprobat dintr-un grup de accesorii.

¹³⁶ Accesoriile aprobate sunt împărțite în două grupuri. Fiecare grup de accesorii are funcții și autocolante similare.

Declarație de conformitate

Declarație de conformitate UE

Noi, **Husqvarna AB**, SE-561 82 Huskvarna, Suedia, tel.:
+46-36-146500, declarăm pe propria răspundere, că
produsul:

Descriere	Sursă de alimentare cu baterii (Trimmer pentru iarbă)
Marcă	Husqvarna
Tip/Model	325iLK (unitate simplă)
Identificare	Numerele de serie începând cu 2024

respectă în totalitate următoarele directive și
reglementări UE:

Directivă/Regula- ment	Descriere
2006/42/CE	„privind echipamentele tehnice”
2014/30/CEM	„privind compatibilitatea electromagnetică”
2011/65/UE	„privind interzicerea substanțelor periculoase”
2000/14/CE	„privind zgomotul exterior”

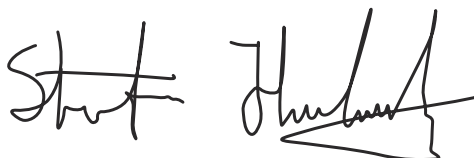
și că au fost aplicate următoarele
standarde și/sau specificații tehnice: EN ISO
12100:2010, EN 62841-1:2015+AC:2015+A11:2022, EN
62841-4-2:2019+A11:2022+A1:2022, IEC 62841-4-4:
2020+A1:2024, IEC 62841-4-6:2022, ISO 11449:1994,
EN ISO 11680-1:2021, EN 61000-6-3:2007+A1:2011,
EN 61000-6-1:2016, EN IEC 63000:2018.

SMP Svensk Maskinprovning AB, Box 4053, SE-904
03 Umeå, Sweden a efectuat teste de tip voluntar, în
conformitate cu anexa IX a directivei 2006/42/CE. Nr.
certificat: SEC/24/2593.

Organismul notificat: SMP Svensk Maskinprovning AB,
a verificat și conformitatea cu Anexa V a Directivei
Consiliului 2000/14/CE. Nr. certificat: 01/1610/013.

Pentru informații privind emisiile de zgomot, consultați
Date tehnice la pagina 245.

Huskvarna, 2024-02-01



DI Stefan Holmberg, Director de cercetare și dezvoltare,
Departamentul de gestionare a tehnologiei, Husqvarna
AB, Suedia

Responsabil pentru documentația tehnică



Sisukord

Sissejuhatus.....	248	Veaoosing.....	257
Ohutus.....	249	Transportimine, hoieulepanek ja utiliseerimine.....	257
Kokkupanek.....	254	Tehnilised andmed.....	258
Töö.....	254	Lisatarvikud.....	259
Hooldamine.....	256	Vastavusdeklaratsioon.....	260

Sissejuhatus

Kasutusotstarve

See toiteseadede on põhiseade, mis töötab ainult koos heakskiidetud lisavarustusega. Heakskiidetud

lisavarustuse loendi leiatisest *Lisatarvikud lk 259*. Lugege seda juhendit koos heakskiidetud lisavarustuse juhendiga.

Toote tutvustus

(Joon. 1)

1. Kasutusjuhend
2. 4 mm kuuskantvõti
3. Silmuskäepide
4. Nupp
5. Nupp On/Off
6. Kiirusrežiimi nupp
7. Toitelüliti lukustus
8. Kasutajaliides
9. Toitelüliti
10. Akulaadija (lisatarvik)
11. Laadimise ja tõrke märgutuli laadijal
12. Aku vabastamise nupud
13. Aku (lisatarvik)
14. Laadimisoleku LED-märgutuli
15. LED-hoiatustuli
16. Akunäidiku nupp
17. Ühendusliitmik

(Joon. 5) Alalisvool.

(Joon. 6) See toode vastab kehtivatele EÜ direktiividele.

(Joon. 7) Seadmel või selle pakendil olevad sümbolid viitavad, et antud seadet ei tohi visata olmeprügi hulka. Seade tuleb kõrvaldada vastavas taaskasutuspunktis.

(Joon. 8) Seade on kaitstud pritsiva vee eest.

aaaannxxxx | Mudeli etikett näitab seerianumbrit. **aaaa** on tootmisaasta, **nn** on tootmisnädal ja **xxxx** on järjekorranumber.

Märkus: Aku ja akulaadija välimus võib mudelili erineb.

Sümbolid tootel

(Joon. 2) HOIATUS! Seade võib olla ohtlik! Hooletu või väär käsitsemine võib põhjustada kasutaja või teiste isikute raskeid kehavigastusi või hukkamise. Äärmiselt oluline on käesolev kasutusjuhend läbi lugeda ja selle sisust aru saada. Lugege enne seadme kasutamist kasutusjuhend tähelepanelikult läbi ja veenduge, et oleksite juhistest aru saanud.

(Joon. 3) Enne hooldamist ühendage aku lahti.

(Joon. 4) Nimipinge, V

Märkus: Seadmel toodud ülejäänud sümbolid/tähised vastavad muude kommertsvaldkondade sertifitseerimisnõuetele.

Tootja

Husqvarna AB

Drottningatan 2, SE-561 82 Huskvarna, Sweden, tel: +46-36-146500

Toote kahjustused

Me ei vastuta meie tootele tekitatud kahjude eest, kui:

- toodet on valesti parandatud;
- toote parandamisel on kasutatud osi, mis ei ole tootja poolt valmistatud või heaks kiidetud;
- tootel on kasutatud tarvikut, mis ei ole tootja poolt valmistatud või heaks kiidetud;
- toodet ei ole parandatud volitatud hoolduskeskuses või volitatud isiku poolt.

Tugi

Toote kohta toe saamiseks avage veebisaidi toejaotis, et saada juurdepääs juhistele, tõrkeotsingu juhenditele või

kasutada Husqvarna iseteenindust ja tooteassistenti (kui see on teie turul saadaval). Toote täiendava klienditoe küsimustes võtke ühendust Husqvarna edasimüüjaga.

Ohutus

Ohutuse määratlused

Mõistetega „hoiatus“, „ettevaatus“ ja „märkus“ juhitakse tähelepanu eriti olulistele kohtadele kasutusjuhendis.



HOIATUS: Tähistab kasutusjuhendi juhiste eiramise korral kasutaja või kõrvalseisjate kehavigastuse või surmaga lõppeva õnnetuse ohtu.



ETTEVAATUST: Tähistab kasutusjuhendi juhiste eiramise korral seadme, muude esemete või läheduses asuvate objektide kahjustamise ohtu.

Märkus: Tähistab antud olukorras vajalikku lisateavet.

Üldised ohutusalsed märkused elektritööriistade kohta



HOIATUS: Palun lugege tarvikute heakskiidetud juhis ja käesolev elektriseadmete juhis läbi.



HOIATUS: Lugege läbi kõik elektrilise tööriistaga kaasas olevad hoiatused, juhised, tehnilised andmed ning tutvuve joonistega. Alltoodud juhiste eiramine võib põhjustada elektrilöögi, tulekahju ja/või ohtliku kehavigastuse.

Märkus: Hoidke kõik ohutusalsed märkused ja juhised edasiseks kasutamiseks alles. Märkustes kasutatud elektritööriista mõiste tähistab võrgutoitel (juhtmega) elektritööriista või akutoitel (juhtmeta) elektritööriista.

Tööala ohutus

- **Hoidke tööala puhas ja tagage hea valgustus.** Korralagedus või valgustamata tööalad võivad põhjustada õnnetusi.
- **Ärge kasutage masinat plahvatusohtlikus keskkonnas, näiteks tuleohtlike vedelike, gaaside või tolmu läheduses.** Masinad tekitavad sädemeid, mis võivad tolmu või auru süüdata.

- **Hoidke lapsed ja kõrvalised isikud masina kasutamise ajal eemal.** Tähelepanu kõrvalejuttimise korral võite kaotada kontrolli seadme üle.

Elektriohutus

- **Masina pistikud peavad pistikupesaga ühilduma. Ärge muutke pistikut mis tahes viisil. Ärge kasutage maandusega masinate puhul adapterpistikuid.** Muutmata pistikud ja sobivad pistikupesad vähendavad elektrilöögi ohtu.
- **Vältige kehalist kokkupuudet maandatud pindadega (nt torud, radiaatorid, elektriliidid ja külmikud).** Teie keha maandamise korral on elektrilöögi oht suurem.
- **Ärge laske masinatel kokku puutuda vihma ega niiskusega.** Masina sisse tunginud vesi suurendab elektrilöögi ohtu.
- **Kasutage kaablit õigesti. Ärge kunagi kasutage kaablit masina kandmiseks, tõmbamiseks või pistikupesast eemaldamiseks. Kaitske kaablit kuumuse, õli, teravate servade ja liikuvate osade eest.** Kahjustatud või sõlmes juhe suurendab elektrilöögi ohtu.
- **Masinaga õues töötamisel kasutage välistingimustes kasutamiseks sobivat pikendusjuhet.** Välistingimustes kasutamiseks sobiva pikendusjuhtme kasutamine vähendab elektrilöögi ohtu.
- **Kui masina kasutamine niiskes keskkonnas on vältimatu, kasutage rikkevoolukaitsmega (RCD) toidet.** RCD kasutamine vähendab elektrilöögi ohtu.

Inimeste kaitsmine

- **Olge masina kasutamisel tähelepanelik, jälgige oma tegevust ja kasutage töös selget ning tervet mõistust. Ärge kasutage masinat, kui olete väsinud või uimastite, alkoholi või ravimite mõju all.** Hetkeline tähelepanematus masinate kasutamise ajal võib lõppeda raskete kehavigastustega.
- **Kasutage isikukaitsvahendeid. Kasutage alati kaitseprille.** Asjakohastes tingimustes kaitsevahendite (nt tolmumask, mittelibisevad turvajalatsid, kiiver või kõrvaklapid) kasutamine vähendab kehavigastuste ohtu.
- **Vältige soovimatut käivitumist. Enne kui hakkate masinat toitevoolu ja/või akuga ühendama, seda üles tõstma või kandma, veenduge, et masin oleks olekus OFF (VÄLJAS).** Kui kannate masinaid nii, et sõrm on toitelülilil, või ühendate need vooluvõrku, kui toitelüliti on sisse lülitatud, võib see lõppeda õnnetusega.
- **Eemaldage enne masina sisselülitamist kõik reguleerimis- ja nutrivõtmed.** Masina pöörleva osa

külge jäetud mutrivõti või muu võti võib tekitada kehavigastusi.

- **Ärge küünitage liiga kaugele. Säilitage kogu aeg kindel jalgealune ja tasakaal.** See võimaldab teil elektritööriista ootamatutes olukordades paremini kontrollida.
- **Kandke nõuetekohaseid riideid. Ärge kandke lahtiseid rõivaid ega ehteid. Hoidke juukseid ja rõivad liikuvatest osadest eemal.** Lahtised rõivad, ehted või pikad juukseid võivad liikuvate osade vahele kinni jääda.
- **Kui seadmel on ühendus tolmueemaldus- ja kogumisseadmete jaoks, vöenduge, et need on ühendatud ja neid kasutatakse õigesti.** Tolmukogumise kasutamise abil saab vähendada tolmuga seotud ohte.
- **Ärge laske endal masinate sagedase kasutamisega omandatud teadmistelegi tuginedes muutuda liiga enesekindlaks, eirates nii masina ohutuspõhimõtteid.** Hooletu tegutsemine võib sekundi murdosa vältel põhjustada raskeid vigastusi.

Masina kasutamine ja hooldus

- **Ärge kasutage masinaga jõudu. Kasutage rakenduse jaoks õiget masinat.** Sobiva elektritööriistaga edeneb teie töö näidatud võimsusvahemikus paremini ja ohutumatult.
- **Ärge kasutage masinat, kui see lülitil vajutamisel sisse ega välja ei lülitu.** Mis tahes masin, mida pole võimalik lülitil abil juhtida, on ohtlik ja tuleb viivitamatult parandada.
- **Enne masina reguleerimist, tarvikute vahetamist või hoolelepanekut eemaldage pistik toiteallikast ja/või eemaldage masina küljest aku, kui see on eemaldatav.** See ohutusmeede takistab elektritööriista kogemata käivitumist.
- **Hoidke masinat, mida te parasjagu ei kasuta, lastele kättesaamatus kohas ning ärge lubage masinat kasutada isikutel, kes ei oska seda kasutada või neid juhiseid läbi lugenud.** Masinad on väljaõppeta kasutajate käes ohtlikud.
- **Hooldage masinaid ja lisatarvikuid. Kontrollige liikuvate osade joondust ja kinnitusi, osade purunemist või muid masina käsitsemist mõjutada võivaid tegureid. Kahjustuse korral laske masinat enne kasutamist remontida.** Paljude õnnetuste põhjuseks on halvasti hooldatud elektritööriistad.
- **Hoidke lõikevahendid teravad ja puhtad.** Nõuetekohaselt hooldatud teravate lõikeservadega lõikemasinate kinnikiilumise tõenäosus on väiksem ja neid on hõlpsam juhtida.
- **Järgige masina, tarvikute, osade jm kasutamisel neid juhiseid ning arvestage töitingimuste ja -ülesandega.** Masina käsitsemine muuks kui ettenähtud otstarbeks võib põhjustada ohtliku olukorra.
- **Hoidke käepidemed ja haardepinnad kuivad, puhtad ning õli- ja määrdevabad.** Libedad käepidemed ning haardepinnad ei võimalda ettenägematutes

olukordades masina turvalist käsitsemist ega kontrollimist.

Akuga seadmete kasutamine ja hooldamine

- **Kasutage laadimiseks ainult tootja soovitatud laadijat.** Ühte tüüpi aku laadimiseks sobiv laadija võib koos teist tüüpi akuga kasutades tuleohtu põhjustada.
- **Kasutage masinatega vaid spetsiaalselt neile loodud akusid.** Teisi akukogumeid kasutades riskite vigastuste ja tulekahjuga.
- **Kui aku pole hetkel kasutuses, hoidke seda eemal teistest metallesemetest (nt kirjaklambrid, münnid, võtmed, naelad, kruvid vms väiksed metallesemed), mis võiksid akuklemme omavahel ühendada.** Akuklemmide lühistamine võib põhjustada põletushaavu või tulekahju.
- **Väärkasutamise korral võib akust vedelikku lekkida; vältige kokkupuudet. Kokkupuute korral loputage kannatada saanud kohta veega. Kui vedelik satub silma, loputage silma veega ja pöörduge arsti poole.** Akust lekkinud vedelik võib põhjustada ärritust või põletushaavu.
- **Ärge kasutage kahjustatud ega muudetud akut ega seadet.** Kahjustatud või muudetud akud võivad käituda ettearvamatu ning põhjustada tule-, plahvatus- või vigastusohu.
- **Ärge jätke akut ega seadet tule ega liiga kõrge temperatuuri kätte.** Kokkupuude üle 130 °C temperatuuriga võib põhjustada plahvatusohtu.
- **Järgige kõiki laadimisjuhiseid ja ärge laadige akut ega seadet kunagi väljaspool kasutusjuhendis täpsustatud temperatuurivahemikku.** Aku laadimine valesti või väljaspool selleks ettenähtud temperatuurivahemikku võib akut kahjustada ja suurendada tuleohtu.

Teenindus

- **Laske oma elektritööriista parandada ainult kvalifitseeritud spetsialistidel ja ainult originaalvaruosadega.** Sellega on tagatud, et säiliks elektritööriista ohutus.
- **Ärge kunagi hooldage kahjustatud akusid.** Akusid võivad hooldada üksnes tootja või volitatud teenusepakkujad.

Muu üldine ohutusteave

- Enne teise tööpiirkonda liikumist lülitage seade välja. Seadme üleandmisel teisele isikule eemaldage alati aku.
- Ärge kunagi asetage seadet maha enne, kui olete selle välja lülitanud ja aku eemaldanud. Ärge jätke sisselülitatud seadet järelevalveta.
- Lõikeseade ei seisku pärast seadme väljalülitamist kohe.
- Enne seadme kasutamist ning pärast löögi saamist tuleb kontrollida kulumis- ja kahjustusjälgid ning seadet vajadusel remontida.

- Kui seadmega töötamise ajal jääb midagi löikeosa külge kinni, siis peatage seade ja lülitage see välja. Veenduge, et löikeosa oleks täielikult seiskunud. Alati enne seadme ja/või löikeosa puhastamist, kontrollimise või parandamise alustamist eemaldage aku.
- Kontrollige seadet enne kasutamist. Vt jaotiseid *Toote ohutusseadised lk 252* ja *Hooldamine lk 256*. Ärge kasutage kahjustatud seadet. Järgige seadet kontrollides ja hooldades seadme kasutusjuhendi nõudeid.
- Vigane löikeosa võib suurendada õnnetuste ohtu.
- Kontrollige, et ajam poleks määrdunud ega möränenud. Eemaldage ajamist harja abil muru ja lehed. Vajaduse korral tuleb kanda kindaid.
- Kontrollige alati, et õhutusavad oleksid puhtad.
- Kontrollige, et trimmeripea oleks täielikult trimmeri külge kinnitatud.
- Enne käivitamist tuleb paigaldada kõik seadme katted, kaitsed ja käepidemed.
- Kontrollige, et seade oleks töökorras. Kontrollige, et kõik mutrid ja kruvid oleksid korralikult pingutatud.
- Kontrollige trimmeripead ja kaitsekatet kahjustuste ning mörade osas. Kui trimmeripead või trimmerikaitsed on tabanud löök või see on pragunenud, vahetage trimmeripea või trimmerikaitsed välja. Kasutage ettenähtud löikeosa kaitsekatet. Vt jaotist *Tehnilised andmed lk 258*.
- Toode on ohtlik, kui kasutate seda valesti või ettevaatamatult. Toode võib tekitada kasutajale või teistele raske või surmava kehavigastuse.
- Seda seadet ei tohi kasutada isikud (sh lapsed), kellel on nõrgemad füüsilised, sensoorsed või vaimsed võimed või puudulikud teadmised ja kogemused, välja arvatud juhul, kui neid jälgib või juhendab seadme kasutamisel isik, kes vastutab nende ohutuse eest. Lapsi tuleb jälgida, et nad seadmega ei mängiks.
- Ärge laske lapsi seadme lähedale ega neil seadet kasutada! Kuna seadet on lihtne käivitada, võivad lapsed selle käivitada, kui neid piisavalt ei jälgita. Sellega võib kaasneda raskete vigastuste oht. Sellepärast tuleb seadmelt eemaldada aku, kui seade jääb valveta.
- Ärge kunagi lubage seadet ega akut kasutada või hooldada lastel ega teistel isikutel, kes pole seadme ja/või aku kasutamise koolitust saanud.
- Seadet tuleb hoida lukustatud ruumis, kus lapsed ja kõrvalised isikud sellele ligi ei pääse.
- Hoiustamise ja transportimise ajal tuleb alati kasutada transportkatet.
- Hoidke käed ja jalad alati löikealast eemal, eriti mootori sisselülitamise ajal.
- Pärast seadme väljalülitamist hoidke käed ja jalad löikeosast eemal seni, kuni löikeosa on täielikult seisma jäänud.
- Ärge eemaldage lõigatud materjali ega laske teistel inimestel lõigatud materjali eemaldada ajal, kui seade töötab või löikeosa pöörleb, kuna see võib põhjustada ohtlikke kehavigastusi.
- Ärge unustage, et seadme kasutaja vastutab selle eest, et inimeste või nende varaga ei juhtuks õnnetus.
- Seadme algset konstruktsiooni ei tohi muuta ilma tootja loata. Kasutage alati originaalseid lisatarvikuid. Lubamatud muudatused ja/või lisatarvikud võivad põhjustada kasutaja ning teiste isikute raskeid või isegi eluohtlikke kehavigastusi. Garantii ei pruugi katta kahjusid, mis on põhjustatud volitamata lisatarvikute või varuosade kasutamisest.
- Selle seadmega saab kasutada vaid selliseid lisatarvikuid, mis on loetletud soovitatud lisatarvikutena peatüki „Lisatarvikud“. Vt jaotist *Lisatarvikud lk 259*.
- Ärge kunagi kasutage seadet, mille ehitust on muudetud
- Ärge kunagi kasutage kahjustatud seadet. Teostage ohutuskontroll ja hooldage seadet korrapäraselt, nagu käsitlemisõpetuses nõutud. Teatud hooldustoiminguid tohib teha ainult vastava väljaõppe saanud spetsialist. Vt juhiseid lõigust „Hooldus“.
- Halva ilmaga töötamine väsitab ja sellega kaasneb tihti muid ohte. Seadet pole soovitatav kasutada väga halva ilmaga, näiteks tiheda udu või vihma, tugeva tuule, väga külma temperatuuri või äikesehoju korral.
- Ärge kunagi töötage redelil, toolil või muus kõrges asendis, mis ei ole täielikult fikseeritud.
- Kasutusest eemal olevat seadet tuleb hoida siseruumis – Kui seadet ei kasutata, hoidke seda siseruumis
- Kõiki olukordi, mis võivad seadme käitamisel ette tulla, ei ole võimalik kirjeldada. Olge alati ettevaatlik ja kasutage tervet mõistust. Vältige olukordi, millega te ei pruugi toime tulla. Kui te pärast selle juhendi läbilugemist tunnete veel ebakindlust, küsige enne jätkamist nõu asjatundjalt.
- Veenduge, et inimesed ega loomad ei oleks töö ajal lähemal kui 15 m. Kui samal ajal töötab mitu kasutajat, peab nende ohutusvahemaa olema vähemalt 15 meetrit. Vastasel juhul tekib raskete vigastuste oht. Seisake toode kohe, kui keegi läheneb. Ärge kunagi pöörake toodet ringi enne, kui olete selja taha vaadanud ja veendunud, et ohutsoonis pole kedagi.
- Veenduge, et inimesed, loomad või kõrvalised esemed ei mõjutaks teie kontrolli toote üle ega puutuks kokku löikeosaga või löikeosast väljapaiskuvate lahtiste esemetega. Ärge kasutage kunagi seadet olukordades, kus te ei saa kutsuda abi õnnetuse korral.
- Veenduge, et saate turvaliselt seista ja liikuda. Vaadake, et läheduses ei oleks tõkkeid, nagu juuri, kive, oksid, kraave jms, mis oleksid takistuseks juhul, kui tuleb kiiresti eemalduda. Olge eriti ettevaatlik kallakutel töötades.
- Kõndige ja ärge kunagi jookske.

- Vaadake üle tööpiirkond. Kõrvaldage kõik lahtised esemed, nagu kivid, klaasikillud, naelad, traadid, nõör ja muu taoline, mis võivad välja paiskuda või löökurisse või löökuri piirdeesse kinni jääda.
- Jälgige, et lõigatud oksajupid teie pihta ei paiskuks. Ärge lõigake liiga lähedal maapinnale, kus kivid ja muud esemed võivad õhku paiskuda.
- Kui seade on sisse lülitatud, siis jälgige, et riided või kehaosad ei puutuks vastu lõikeosa. Hoidke seadet allpool puusa kõrgust.
- Hoiduge eemalepaiskuvate esemete eest. Kasutage alati heakskiidetud kaitseprille. Ärge kummarduge vaatama kaitsekatte taha. Kivid, prügi jms esemed või osakesed võivad lennata silma ja põhjustada ohtlikke kahjustusi või isegi pimedaksjäämist.
- Kui kasutate kõrvaklappe, olge tähelepanelik hõigete ja hoiatussignaalide suhtes. Eemaldage kõrvaklapid kohe, kui toode on seiskunud.
- Kui tekib ebasoovivat vibratsiooni, kerige jõhvi välja, et anda jõhvile õige pikkus, misjärel peaks vibratsioon vaibuma.
- Kui seade hakkab ebatavaliselt vibreerima, siis peatage masin ja eemaldage aku.
- Tugeva vibratsiooniga töötamine võib põhjustada vereringe- või närvikahjustusi, eriti neil, kel on vereringehäireid. Pöörduge arsti poole, kui ilmneb nähte, mis võivad olla vibratsioonist põhjustatud. Sellisteks sümptomiteks on näiteks tundetus, surin, torkiv tunne, valu, nõrkus, muutused nahavärvil või naha seisukorras. Nimetatud nähtused esinevad tavaliselt sõrmedes, käelabades ja randmetes.
- Hoidke toodet alati kahe käega. Hoidke seadet endast paremal.

Isikukaitsevahendid



HOIATUS: Enne toote kasutamist loe läbi järgnevad hoiatused.

- Seadmega töötamisel tuleb ettenähtud isikukaitsevarustust. Isikukaitsevarustus ei välista täielikult kehavigastuste ohtu, kuid vähendab õnnetusjuhtumi korral kehavigastuse raskusastet. Õige varustuse valimiseks pöörduge edasimüüja poole.
- Kaitsekiivrit, kohtades, kus on langevate esemete oht.
- Kandke alati sobiva summutusvõimega kuulmiskaitsemeid. Pikaajaline müra võib tekitada püsiva kuulmiskahjustuse.
- Kanna heakskiidetud kaitseprille. Näokaitsme kasutamisel tuleb lisaks kasutada heakskiidetud kaitseprille. Heakskiidetud kaitseprillide all mõeldakse selliseid prille, mis vastavad standardile ANSI Z87.1 USA-s või EN 166 Euroopa Liidu riikides.
- Näo kaitsmiseks kasutage visiiri. Visiir ei ole silmade kaitsmiseks piisav.

(Joon. 9)

- Vajaduse korral kandke kaitsekindaid, näiteks lõikeosa kinnitades, kontrollides või puhastades.
- Kandke tugevaid, mittelibisevaid saapaid.
- Kandke vastupidavast materjalist riideid. Kandke alati pikki raskaid pükse ja pikki varrukaid. Hoiduge liiga avaratest rõivastest, mis võivad okstesse takerduda. Ärge kandke ehteid, lühikesi pükse, lahtiseid jalatseid ega käige paljajalu. Kinnitage juuksed ohutult õlgadest kõrgemale.

(Joon. 10)

- Hoidke esmaabikomplekt käepärast.

(Joon. 11)

Toote ohutusseadised



HOIATUS: Enne toote kasutamist lugege läbi järgmised hoiatused.

Selles alalõigus kirjeldatakse masina turvavarustust, selle otstarvet ning kuidas läbi viia kontrollid ja hooldust, tagamaks masina nõuetekohane töö. Vaadake pealkirja all olevaid juhisid, *Sissejuhatus lk 248* et teada saada, kus need osad teie tootel asuvad.

Kui seadet ei hooldata õigesti ja korrapäraselt ning seadet ei paranda asjatundja, võib seadme tööiga lüheneda ja tekkida õnnetuste oht. Kui vajate täiendavat infot, pöörduge lähimasse teenindusse.



HOIATUS: Ärge kunagi kasutage toodet, mille turvavarustus on kahjustatud. Ohutusvarustust tuleb käesolevas lõigus toodud eeskirjade kohaselt hooldada ja kontrollida. Kui seade ei vasta ohutusnõuetele, laske see parandada hooldustöökojas.



ETTEVAATUST: Seadme hooldus ja parandamine nõuab eraldi väljaõpet. Eriti oluline on see seadme ohutusvarustuse puhul. Kui seade ei vasta allpool toodud nõuetele, viige see hoolduspunkti. Meie toodetele on tagatud professionaalne hooldus ja parandus. Kui seadme edasimüüja ei tegele hooldusega, paluge tal juhatada teid lähimasse hoolduspunkti.

Kasutajaliidese kontrollimine

1. Vajutage pikalt nuppu On/Off (A). (Joon. 12)
 - a) Kui ekraani valgustus (B) süttib, on seade sisse lülitatud.
 - b) Kui ekraani valgustus kustub, on toode välja lülitatud.
2. Kui ekraanil põleb või vilgub hoiatuse märgutuli, lugege jaotist *Klahvistik lk 257*.

Toitelüliti lukustuse kontrollimine

Toitelüliti lukustusfunktsioon väldib seadme juhuslikku käivitamist. Kui lükkate toitelüliti lukustuse edasi (A) ja seejärel vajutate selle vastu käepidet (B), vabastatakse toitelüliti (C). Käepidemest lahti lastes lähevad nii toitelüliti kui ka lukustus tagasi algasendisse. Seda liigutust juhivad kolm iseseisvat vedru. (Joon. 13)

1. Jälgige, et kui lukk on algasendis, oleks toitelüliti lukustatud. (Joon. 14)
2. Lükake toitelüliti lukustus edasi (A) ja vajutage alla. Hoidke toitelüliti lukustust vastu käepidet (B) ning veenduge, et vabastamisel liiguks see tagasi algasendisse. (Joon. 15)
3. Veenduge, et toitelüliti ja toitelüliti lukustus liiguvad takistamatult ning tagastusvedrud töötavad korrektselt. (Joon. 16)
4. Toote sisselülitamiseks vajutage pikalt nuppu On/Off.
5. Vajutage toitelüliti täielikult alla, et rakendada täiskiirus.
6. Vabastage toitelüliti ja veenduge, et lõikeosa peatuks ja jääks paigale.

Ohutusjuhised kokkupanekul



HOIATUS: Lugege selle toiteseadme juhendit koos heakskiidetud lisatarviku juhendiga.

- Enne toote kokkumonteerimist eemaldage aku.
- Kandke heakskiidetud kaitsekindaid.
- Kahjustatud või vale kaitse võib põhjustada vigastusi. Ärge kasutage lõikeosa, mille külge ei ole kinnitatud heakskiidetud kaitset.
- Enne toote käivitamist veenduge, et kinnitasatte kätte ja võlli õigesti.
- Kui kanderihmad tarnitakse lisatarvikuga, peavad need olema korralikult toote külge kinnitatud. Kanderihmad muudavad käitamise ohutuks ja ennetavad operaatori jm isikute vigastusi.

Aku ohutus



HOIATUS: Enne toote kasutamist lugege läbi järgmised hoiatused.

- Kasutage ainult Husqvarna heakskiidetud akusid. Vt jaotist *Heakskiidetud akud lk 258*. Akud on kodeeritud.
- Kasutage seotud Husqvarna toodete toiteallikana alati üksnes Husqvarna heakskiidetud akusid. Kehavigastuse vältimiseks ärge kasutage akut muude seadmete toiteallikana.

- Elektrilöögioht. Ärge ühendage akuklemme võtmete, müntide, kruvide või muude metallesemetega. See võib tekitada akus lühise.
- Ärge kasutage mittelaetavaid akusid.
- Ärge asetage esemeid aku õhuavade sisse ja ette.
- Vältige aku kokkupuudet otsese päikesevalguse, kuumuse ja lahtise leegiga. Aku võib põhjustada põletusi ja/või keemilisi põletusi.
- Vältige aku kokkupuudet vihma ja märja keskkonnaga.
- Vältige aku kokkupuudet mikrolainete ja kõrgsurvega.
- Ärge demonteerige ega lõhkuge akut.
- Aku lekke korral vältige vedeliku kokkupuudet keha ja silmadega. Kui vedelik satub kehale, puhastage kokkupuutunud ala rohke veega ja seebiga ning seejärel pöörduge arsti poole. Kui vedelik satub silma, ärge hõõruge silmi, vaid loputage neid veega vähemalt 15 minutit ja pöörduge arsti poole.
- Kasutage akut keskkonnas, mille temperatuur jääb vahemikku –10...40 °C.
- Ärge puhastage akut või akulaadijat veega. Vt jaotist *Seadme, aku ja akulaadija puhastamine lk 256*.
- Ärge kasutage akut, mis on kahjustatud või mis ei tööta korralikult.
- Hoiustage akusid eemal metallesemetest (nt naelad, kruvid, ehted).
- Hoidke aku eemal lastest.

Akulaadija ohutus



HOIATUS: Enne toote kasutamist lugege läbi järgmised hoiatused.

- Ohutuseeskirjade eiramine võib kaasa tuua elektrilöögi või lühise.
- Kasutage ainult seadme tarnekomplekti kuuluvat akulaadijat. Husqvarna heakskiidetud akude laadimiseks kasutage ainult Husqvarna heakskiidetud akulaadijaid. Juhiseid vt *Tehnilised andmed lk 258*.
- Ärge püüdke akulaadijat lahti monteerida.
- Ärge kasutage akulaadijat, mis on kahjustatud või ei tööta korralikult.
- Ärge tõstke akulaadijat toitejuhtmetest hoides. Akulaadija võrgupistikupesast lahutamiseks tõmmake pistikut. Ärge tõmmake toitejuhet.
- Vältige juhtmete ja pikendusjuhtmete kokkupuudet vee, õli ja teravate servadega. Jälgige, et juhe ei jääks uste, väravate jms vahele.
- Ärge kasutage akulaadijat tuleohtlike või korrosiooni tekitavate materjalide läheduses. Veenduge, et akulaadija poleks kinni kaetud. Suitsu või tule tekke korral eemaldage pistik akulaadijast.
- Laadige akut ainult hea õhuvahetusega siseruumis ja päikesevalguse eest kaitstuna. Ärge laadige akut õues. Ärge laadige akut märjas keskkonnas.

- Kasutage akulaadijat keskkonnas, mille temperatuur jääb vahemikku 5...40 °C. Kasutage laadijat hästi ventileeritavas, kuivas ja tolmuvabas keskkonnas.
- Ärge asetage esemeid akulaadija jahutusavade sisse ja ette.
- Ärge kunagi ühendage akulaadija klemme metalliesemete külge, vastasel korral võib akulaadija lühistuda.
- Kasutage heakskiidetud ja kahjustamata pistikupesasid. Veenduge, et akulaadija juhe poleks kahjustatud. Pikendusjuhtme kasutamisel veenduge, et pikendusjuhe poleks kahjustatud.
- Seadme kasutaja tohib teha üksnes käesolevas kasutusjuhendis kirjeldatud hooldustööd. Mahukamate hooldustööde tegemiseks pöörduge hooldusesindusse.
- Ärge puhastage akut või akulaadijat veega. Tugevatoomeline pesuvahend võib kahjustada plastdetaili.
- Kui hooldustöid ei tehta, siis seadme kasutamisega lüheneb ja õnnetuste oht kasvab.
- Kõigi hooldus- ja parandustööde tegemiseks (eriti seadme ohutusseadiste juures) on vajalik eriväljaõpe. Kui pärast hooldustööde tegemist ei läbi seade kõiki käesolevas kasutusjuhendis kirjeldatud kontrolltoiminguid, siis pöörduge hooldusesinduse poole. Garanteerime, et hooldusesinduses tehakse teie seadmele professionaalsel tasemel remondi- ja hooldustööd.
- Kasutage ainult originaalvaruosi.
- Lõikeosa remontimisel kandke alati tugevaid kindaid. Lõiketerad on äärmiselt teravad ja võivad kergesti põhjustada kehavigastusi.

Ohutusjuhised hooldamisel



HOIATUS: Enne seadme hooldustööde tegemist lugege läbi järgnevad hoiatused.

- Eemaldage aku enne hooldustööde või muude kontrolltoimingute või seadme kokkupanemise alustamist.

Kokkupanek

Silmuskäepideme paigaldamine

1. Kinnitage silmuskäepideme varrel olevate noolte vahele. Ärge asetage silmuskäepidet ega suspensiooni sildi peale. (Joon. 17)
2. Seadista silmuskäepidet seda vastavalt nihutades.
3. Kinnitage mutter, nupp ja kruvi, aga ärge liigselt pingutage.
4. Reguleerige kõrvaklapid mugavasse asendisse.
5. Pingutage polti.

Lahtivõetava varre paigaldamine

1. Keerake nuppu, et avada varre liitmik. (Joon. 18)
2. Joondage sakk (A) liitmikul oleva noolega (B). (Joon. 19)
3. Sisestage vars liitmikku, kuni vars kinnitub klõpsuga kohale. (Joon. 20)
4. Keerake nupp korralikult kinni. (Joon. 21)

Lahtivõetava varre eemaldamine

1. Keerake liitmiku vabastamiseks nuppu 3 pööret või rohkem. (Joon. 22)
2. Vajutage nupule (C) ja hoidke seda all.
3. Hoidke sellest varre otsast, mille külge mootor on kinnitatud, tugevasti kinni.
4. Tõmmake vars otse sidurist välja. (Joon. 23)

Riputussilmuse paigaldamine (kui on olemas)

1. Paigaldage riputussilmus tagumise käepideme ja silmuskäepideme vahele. (Joon. 24)

Märkus: Ärge paigutage toiteallikat maapinnale.

2. Reguleerige silmust, et toode oleks tasakaalus ja seda oleks hõlbus kasutada.

Töö

Sissejuhatus



HOIATUS: Enne toote kasutamist lugege läbi ohutuspeatükk ja veenduge, et oleksite kõigest aru saanud.

Husqvarna Connect

Husqvarna Connect on mobiilsideseadmetele mõeldud tasuta rakendus. Rakendus Husqvarna Connect annab teie Husqvarna tootele lisafunktsionaalsuse.

- Täiendav tooteteave.
- Toote osade ja hoolduse alane teave ja abi.

Toote Husqvarna Connect kasutamise alustamine

1. Laadi rakendusHusqvarna Connect oma mobiilsideseadmesse.
2. Registreeruge Husqvarna Connect rakenduses.
3. Toote ühendamiseks ja registreerimiseks järgige Husqvarna Connect rakenduse juhiseid.

Märkus: Kõigis riikides ei saa rakendust Husqvarna Connect alla laadida. Lisateabe saamiseks võta ühendust hooldusesindajaga.

Aku ühendamine seadmega.



HOIATUS: Kasutage seadmes ainult Husqvarna originaalakusid.

1. Veenduge, et aku oleks täis laetud.
2. Lükake aku seadme akupessa. Aku on kohale lukustunud, kui kuulete klõpsatust. (Joon. 25)



ETTEVAATUST: Kui aku ei liigu sujuvalt akupessa, siis on aku asend vale. See võib toodet kahjustada.

3. Veenduge, et aku oleks õigesti paigaldatud.

Aku laadimine

Märkus: Enne aku esimest kasutuskorda laadige aku täis. Uue aku laetustase on ainult 30%.

1. Veenduge, et aku oleks kuiv.
2. Asetage aku akulaadijasse. (Joon. 26)

Märkus: Aku ja akulaadija võivad erinevate mudelite puhul erineda, kuid protseduur on sama.

3. Veenduge, et akulaadija roheline laadimistuli süttiks. See tähendab, et aku on akulaadijaga õigesti ühendatud.
4. Kui aku kõik LED-tuled süttivad, siis on aku täis. (Joon. 27)
5. Akulaadija toiteallikast lahutamiseks võtke kinni pistikust. Ära tõmba juhtmest.
6. Eemaldage aku laadijast.

Märkus: Lisateavet lugege aku ja akulaadija kasutusjuhenditest.

Töösens

- Hoidke seadet mõlema käega.

- Hoidke seadet endast paremal.
- Hoidke seadet puusa kõrgusel.
- Hoidke kehaosad kuumadest pindadest eemal.
- Hoidke kehaosad lõikeosast eemal.

Enne toote kasutamist

- Uurige tööala ja veenduge, et tunnete maastikku, maapinna kallakut, ja teate, kas leidub takistusi, nagu kivid, oksad ja kraavid.
- Vaadake seade täielikult üle.
- Teostage selles juhendis toodud ohutuskontrollid ja hooldus.
- Veenduge, et kõik katted, kaitsmed, käepidemed ja lõikevarustus oleks õigesti kinnitatud ega oleks kahjustatud.

Toote käivitamine

1. Vajutage pikalt nuppu On/Off seni, kuni süttib roheline LED-tuli. (Joon. 28)
2. Reguleerige kiirust toitelüliti abil.

Maksimaalse kiiruse piiramine režiiminupuga

Seadmel on ka režiiminupu. Režiiminupuga saab seadme kasutaja piirata maksimaalset kiirust. Režiiminupul on 3 kiiruse taset. Madalam tase pikendab seadme tööaega. Režiiminupul on 3 kiiruse taset. Madalam tase pikendab seadme tööaega. Kui tehtava töö jaoks pole vaja panna mootorit tööle maksimumkiirusel/täisvõimsusel, kasutage tasemeid 1 ja 2. Kui tööolukord nõuab täispõrdeid/täisvõimsust, kasutage taset 3. Ärge kasutage kõrgemat taset, kui on tööolukorras vaja.

1. Maksimaalse kiiruse piiramiseks vajutage režiiminupu. Süttivad valged LED-tuled, mis näitavad, et funktsioon on sisse lülitatud. (Joon. 29)
2. Järgmise kiirustaseme valimiseks vajutage režiiminuppu uuesti.

Automaatse seiskamise funktsioon

Seadmel on automaatse väljalülitamise funktsioon, mis seiskab seadme, kui seda ei kasutata kolme minutit vältel.

Toote seiskamine

1. Vabastage toitelüliti või toitelüliti lukk.
2. Vajutage nuppu On/Off. (Joon. 30)
3. Vajutage aku vabastusnuppe ja tõmmake aku välja. (Joon. 31)

Hooldamine

Sissejuhatus



HOIATUS: Enne seadme hooldamist lugege põhjalikult läbi ohutust puudutav jaotis.

Allpool on esitatud loend seadme hooldustöödest, mida peab tegema seadme kasutaja. Lisaks hoolduskavas kirjeldatud hooldusele laske toodet regulaarselt hooldada Husqvarna hooldusesinduses. Hooldusvälpade kohta teabe saamiseks võtke ühendust Husqvarna edasimüüjaga.

Hooldusgraafik



HOIATUS: Enne hooldustööde alustamist eemaldage aku.

Hooldus	Iga päev	Iga nädal	Iga kuu
Puhastage toote välised osad kuiva lapiga. Ärge kasutage vett.	X		
Veenduge, et toitenupp töötab korralikult ja et see poleks kahjustatud.	X		
Kontrollige, et toitelüliti ja toitelüliti lukustus töötaksid ohutult ning nõuetekohaselt.	X		
Kontrollige, kas kõik juhtseadised töötavad korralikult ja on kahjustamata.	X		
Hoidke käepidemed kuivad, puhtad ning õli- ja määrdevabad.	X		
Veenduge, et mutrid ja kruvid oleksid pingutatud.	X		
Veenduge, et aku vabastusnupud töötaksid ning lukustaksid aku kindlalt seadme külge.	X		
Veenduge, et aku ei oleks kahjustatud.	X		
Veenduge, et aku oleks laetud.	X		
Kontrollige, kas akulaadija on kahjustamata ja töötab korralikult.	X		
Kontrollige kõiki juhtmeid, liitmikke ja ühendusi. Veenduge, et need poleks kahjustatud ega määrduvad.		X	
Kontrollige aku ja seadme vahelisi ühendusi. Samuti kontrollige aku ja akulaadija vahelisi ühendusi.			X

Seadme, aku ja akulaadija puhastamine

1. Pärast kasutamist puhastage seade kuiva riidelapiga.
2. Puhastage aku ja akulaadija kuiva riidelapiga. Hoidke akujuhikuid puhtana.
3. Enne aku asetamist akulaadijasse või tootesse veenduge, et aku ja akulaadija klemmid oleksid puhtad.

Lahtikäiv vars

Kandke mäaret veovõlli otsale iga 30 töötunni järel. Lahtikäiva varrega mudelitel võivad veovõlli otsad kokku kuivada, kui neid korrapäraselt ei määrata. (Joon. 32)

Klahvistik

LED-näidik	Võimalikud tõrked	Võimalik lahendus
Roheline tööoleku LED-tuli vilgub	Aku pinge madal.	Laadige aku.
Punane tõrke LED-tuli vilgub	Ülekoormus.	Lõikeosa on kinni kiilunud. Lülitage seade välja. Eemaldage aku. Eemaldage lõikeosalt võõrkehad.
	Temperatuuri kõrvalekalle.	Laske seadmel maha jahtuda.
	Toitelülilit ja aktiveerimisnuppu tuleb vajutada samal ajal.	Vabastage toitelüliti ja seade aktiveerub.
Seade ei käivitu	Mustus akukonektoritel.	Puhastage akukonektorid suruõhu või pehme harjaga.
Punane tõrke LED-tuli põleb.	Seade vajab hooldust.	Võtke ühendust hooldustöökojaga.

Transportimine, hoiulepanek ja utiliseerimine

Transportimine ja hoiustamine

- Tarnitud liitiumioonakud vastavad ohtlike ainete eeskirjade nõuetele.
- Täitke kaubanduslikule transpordile kehtestatud pakendamise ja märgistamise erinõudeid (sh kolmandate osapoolte või ekspediitorite teenuseid kasutades).
- Enne seadme lähetamist konsulteerige isikuga, kes on läbinud ohtlike ainete käitlemise alase erikoolituse. Järgige kõiki kehtivaid riiklikke eeskirju.
- Enne aku pakendisse asetamist katke lahtised kontaktid isoleerteibiga. Asetage aku pakendisse tihkelt, et see ei saaks liikuma hakata.
- Hoiustamise ja transpordi ajaks tuleb aku eemaldada.
- Asetage aku ja akulaadija kohta, mis on kuiv ja mida ei ähvarda niiskus ega jäätumine.
- Ärge hoidke akut kohas, kus võib tekkida staatiline elekter. Ärge hoidke akut metallkastis.
- Hoidke akut ruumis, mille temperatuur püsib vahemikus 5...25°C (41...77°F) ja kus aku on varjatud otsese päikesevalguse eest.
- Hoidke akulaadijat ruumis, mille temperatuur püsib vahemikus 5 °C kuni 45 °C ja kus akulaadija on varjatud otsese päikesevalguse eest.

- Kasutage akulaadijat üksnes juhul, kui ümbritsev temperatuur on vahemikus 5...40°C.
- Laadige enne aku pikemaajalist hoiustamist see 30–50% ulatuses täis.
- Hoidke akulaadijat ruumis, mis on suletud ja kuiv.
- Ladustamisel hoidke aku akulaadijast eemal. Ärge lubage lastel ja teistel volitamata isikutel seadmeid puutuda. Hoidke seadmeid lukustatavas ruumis.
- Enne seadme pikemaajalist hoiustamist puhastage seade ja tehke sellele täishooldus.
- Transportimise ja hoiustamise ajal kasutage tootel olevat transpordikaitset, et vältida inimeste kehavigastusi ja toote kahjustusi.
- Kinnitage seade transpordi ajaks turvaliselt.

Aku, akulaadija ja seadme kasutuselt kõrvaldamine

Tootel või selle pakendil olevad sümbolid näitavad, et toodet ei tohi visata olmeprügi hulka. Toimetage see elektri- ja elektroonikajäätmete ringlussevõtukeskusesse. Nii aitate vältida keskkonna ja inimeste kahjustamist.

Kui soovite lisateavet oma toote ringlussevõtu kohta, võtke ühendust kohalike ametiasutuste, olmejäätmete käitleja või edasimüüjaga.

Tehnilised andmed

Tehnilised andmed

	325iLK
Mootor	
Mootori tüüp	BLDC (harjadeta) 36 V
Väljuva võlli pöörlemiskiirus, 1/min	8400
Kaal	
Mass (ainult toiteseadet), kg	2,9
Müratasemed ^{137, 138}	
Helivõimsuse tase, mõõdetud dB(A)	89–103
Müravõimsustase, garanteeritud L _{WA} dB(A)	90–106
Müratase ^{139, 140}	
Helirõhk kasutaja kõrva juures, mõõdetud standardi EN 62841-1 dB (A) järgi	78–93
Vibratsioonitase ^{141, 142}	
Käepidemete vibratsioonitasemed, mõõdetud EN 62841-1 järgi, m/s ²	1,3-5,5/1,1-3,1

Heakskiidetud akud

Aku	BLI200	40-B220X
Tüüp	Liitiumioonaku	Liitiumioonaku
Aku mahtuvus, Ah	5,2	6,0
Nimipinge, V	36	36
Kaal, kg	1,3	1,4

¹³⁷ Müraemissioon ümbritsevasse keskkonda, mõõdetud helivõimsuse tasemena (LWA) vastavalt EÜ direktiivile 2000/14/EÜ Seadme antud müratase mõõdeti enim müra tekitava originaallöikeosa kasutamisel. Erinevus garanteeritud ja mõõdetud helivõimsustaseme vahel seisneb selles, et direktiivi 2000/14/EÜ alusel hõlmab garanteeritud helivõimsustase ka mõõtmistulemuste dispersiooni ja kõrvalekaldeid sama mudeli erinevate seadmete vahel.

¹³⁸ Müravahemik on vahemik madalaimast kuni kõrgeima mõõdetud väärtuseni.

¹³⁹ Antud andmetel seadme helirõhutaseme ekvivalendi kohta on statistiline tüüplevi 3 dB(A) (standardne kõrvalekalle) ja on mõõdetud originaalse löikeosaga, mis annab kõrgeima taseme.

¹⁴⁰ Müravahemik on vahemik madalaimast kuni kõrgeima mõõdetud väärtuseni.

¹⁴¹ Vibratsioonitaseme kohta toodud andmete tüüpiline statistiline dispersioon (standardhälve) on 2 m/s². Akuga ja põlemismootoriga seadmete vibratsioonitasemete võrdlemiseks kasutatakse vibratsioonikalkulaatorit. <https://www.husqvarna.com/uk/services-solutions/vibration-calculator/>.

¹⁴² Müravahemik on vahemik madalaimast kuni kõrgeima mõõdetud väärtuseni.

Heakskiidetud akulaadid

Akulaadija	QC330	40-C500X
Sisendpinge, V	100-240	100-240
Sagedus, Hz	50-60	50-60
Võimsus, W	330	500

Lisatarvikud

Lisatarvikud

Heakskiidetud lisatarvikud	Lisaseadme number ¹⁴³	Lisaseadmete rühm ¹⁴⁴	Järgmistele mudelitele
Võsalõikurseade BCA850	1	1-10	325iLK
Puhurseade BAC	11	11-20	325iLK
Servalõikurseade ECA850	21	21-30	325iLK
Servalõikurseade EAC	22	21-30	325iLK
Hekilõikurseade HA860	32	31-40	325iLK
Oksasaagimisseade PAX730	41	41-50	325iLK
Oksasaagimisseade PAX1100	42	41-50	325iLK
Saagimisseade PA1100	43	41-50	325iLK
Harjakomplekt SR600-2	51	51-60	325iLK
Harjaseade BR600	52	51-60	325iLK
Samblaeemaldusseade DT600	53	51-60	325iLK
Kultivaatorseade CAC	54	51-60	325iLK
Retsiprokaatori kinnitus RA850	2	1-10	525iLK

¹⁴³ See on heakskiidetud lisaseadme number lisaseadmete rühmas.

¹⁴⁴ Heakskiidetud lisaseadmed jagatakse lisaseadmete rühmadesse. Igal lisaseadmete rühmal on sarnased omadused ja hoiatustähised.

Vastavusdeklaratsioon

EÜ vastavusdeklaratsioon

Husqvarna AB, SE-561 82 Huskvarna, Rootsi, tel: +46
3614 6500, kinnitab ainuvastutusel, et toode:

Kirjeldus	Akuga töötav toitesead (murutrimmer)
Kaubamärk	Husqvarna
Tüüp/mudel	325iLK (põhiseade)
Identifitseerimine	Seerianumbrid alates 2024. aastast

vastab täielikult järgmistele EÜ direktiividele ja määrustele:

Direktiiv/eeskirj	Kirjeldus
2006/42/EÜ	„masinadirektiiv“
2014/30/EMÜ	„elektromagnetilise ühilduvuse direktiiv“
2011/65/EL	„ohtlike ainete piiramise direktiiv“
2000/14/EÜ	„välitingimustes kasutatavate seadmete müra direktiiv“

ja et kohalduvad järgmised standardid ja/või tehnilised spetsifikatsioonid: EN ISO 12100:2010, EN 62841-1:2015+AC:2015+A11:2022, EN 62841-4-2:2019+A11:2022+A1:2022, IEC 62841-4-4:2020+A1:2024, IEC 62841-4-6:2022, ISO 11449:1994, EN ISO 11680-1:2021, EN 61000-6-3:2007+A1:2011, EN 61000-6-1:2016, EN IEC 63000:2018.



SMP Svensk Maskinprovning AB, Box 4053, SE-904 03 Umeå, Sweden on läbinud vabatahtliku tüübikontrolli vastavalt 2006/42/EÜ IX lisale. Sertifikaadi nr: SEC/24/2593.

Teavitatud asutus: SMP Svensk Maskinprovning AB, on samuti kinnitanud vastavust nõukogu direktiivi 2000/14/EÜ lisale V. Sertifikaadi nr: 01/1610/013.

Lisateavet mürataseme kohta vt *Tehnilised andmed lk 258*.

Huskvarna, 2024-02-01

Hr Stefan Holmberg, uurimis- ja arendustegevuse juht, tehnoloogiahooldus, Husqvarna AB, Rootsi

Tehnilise dokumentatsiooni eest vastutaja

Saturs

levads.....	261	Problēmu novēršana.....	270
Drošība.....	262	Pārvadāšana, glabāšana un utilizēšana.....	270
Montāža.....	267	Tehniskie dati.....	271
Lietošana.....	268	Piederumi.....	272
Apkope.....	269	Atbilstības deklarācija.....	274

levads

Paredzētā lietošana

Elektriskā ierīce ir atsevišķa ierīce, kas darbojas tikai kopā ar apstiprinātajiem piederumiem, skatiet tos šeit:

Piederumi lpp. 272. Lasiet šo rokasgrāmatu kopā ar apstiprināto piederumu rokasgrāmatu.

Izstrādājuma pārskats

(Att. 1)

1. Lietotāja rokasgrāmata
2. 4 mm sešstūra
3. Cilpas formas rokturis
4. Poga
5. Ieslēgšanas/izslēgšanas slēdzis
6. Ātruma režīma poga
7. Piedziņas mēlītes bloķētājs
8. Lietotāja saskarne
9. Piedziņas mēlīte
10. Akumulatora lādētājs (piederums)
11. Uzlādes un kļūdas indikators uz lādētāja
12. Akumulatora atvienošanas pogas
13. Akumulators (piederums)
14. Uzlādes stāvokļa gaismas diode
15. Brīdinājuma gaisma diode
16. Akumulatora indikatora poga
17. Savienojums palīģierīces piestiprināšanai

(Att. 5) Līdzstrāva.

(Att. 6) Izstrādājums atbilst spēkā esošo EK direktīvu prasībām.

(Att. 7) Simboli uz izstrādājuma vai tā iepakojuma norāda, ka šo izstrādājumu nedrīkst izmest sadzīves atkritumos. Šis izstrādājums ir jānodod utilizācijai atbilstošā pārstrādes uzņēmumā.

(Att. 8) Izstrādājums ir aizsargāts pret ūdens šļakstiem.

yyyywwxxxx

Datu plāksnītē ir norādīts sērijas numurs. **yyyy** ir ražošanas gads, **ww** ir ražošanas nedēļa, **xxxx** ir kārtas numurs.

Piezīme: Dažādiem modeļiem akumulators un akumulatora lādētājs var izskatīties atšķirīgi.

Piezīme: Pārējie uz izstrādājuma norādītie simboli/uzlīmes attiecas uz citu tirdzniecības nozaru sertifikācijas prasībām.

Simboli uz izstrādājuma

(Att. 2) **BRĪDINĀJUMS!** Šī ierīce var būt bīstama! Pavirša vai nepareiza lietošana var radīt bīstamas vai nāvējošas traumas lietotājam vai citiem cilvēkiem. Ir ļoti svarīgi, lai jūs izlasītu un izprastu lietotāja rokasgrāmatas saturu. Rūpīgi izlasiet šo lietotāja rokasgrāmatu un pirms izstrādājuma izmantošanas pārlecinieties, ka izprotat norādījumus.

(Att. 3) Pirms tehniskās apkopes atvienojiet akumulatoru.

(Att. 4) Spriegums, V

Ražotājs

Husqvarna AB

Drottninggatan 2, SE-561 82 Huskvarna, Sweden, tel: +46-36-146500

Produkta bojājumi

Mēs neatbildam par mūsu produkta bojājumiem, ja:

- ir veikts nepareizs produkta remonts;
- produkta remonts ir veikts, izmantojot detaļas, ko nav nodrošinājis vai apstiprinājis ražotājs;
- produktam tiek pievienots piederums, ko nav nodrošinājis vai apstiprinājis ražotājs;
- produkta remonts nav veikts pilnvarotā remontdarbnīcā vai pie pilnvarota speciālista.

Atbalsts

Lai saņemtu atbalstu saistībā ar smalcinātāju, dodieties uz atbalsta sadaļu vietnē, lai piekļūtu norādījumiem, problēmu novēršanas rokasgrāmatām vai

izmantotu funkciju Husqvarna pašapkalpošanās palīgs un izstrādājumu asistentu (ja pieejams jūsu reģionā). Lai saņemtu atbalstu saistībā ar smalcinātāju, sazinieties ar Husqvarna, apkopes pakalpojumu nodrošinātāju.

Drošība

Drošības definīcijas

Brīdinājumi, norādes "Uzmanību!" un piezīmes tiek izmantotas, lai izceltu īpaši svarīgas lietotāja rokasgrāmatas daļas.



BRĪDINĀJUMS: Tiek izmantota tad, ja rokasgrāmatā sniegto instrukciju neievērošanas dēļ operatoram vai blakus esošajām personām draud traumu vai nāves risks.



IEVĒROJIET: Tiek izmantota tad, ja rokasgrāmatā sniegto instrukciju neievērošanas dēļ rodas izstrādājuma, citu materiālu vai blakus esošās teritorijas bojājuma risks.

Piezīme: Tiek izmantota, lai sniegtu plašāku informāciju, kas nepieciešama attiecīgajā situācijā.

Vispārīgi drošības brīdinājumi par elektriskā darbarīka lietošanu



BRĪDINĀJUMS: Lasiet šo apstiprināto piederumu rokasgrāmatu kopā ar šīs elektriskās ierīces rokasgrāmatu.



BRĪDINĀJUMS: Izlasiet visas drošības instrukcijas, norādījumus, apskatiet attēlus un specifikācijas, kas ir komplektā ar šo elektrisko darbarīku. Tālāk norādīto brīdinājumu un norādījumu neievērošana var radīt strāvas triecienu, aizdegšanos un/vai nopietnas traumas.

Piezīme: Saglabāiet visus brīdinājumus un norādījumus turpmākām uzziņām. Brīdinājumos izmantotais termins "elektriskais darbarīks" attiecas uz elektrisko darbarīku, kura barošanu nodrošina elektrotīkls (ar kabeli) vai akumulators (bez kabeļa).

Darba zonas drošība

- **Darba zonai jābūt tīrai un labi apgaismotai.** Nekārtīgas un neapgaismotas darba vietas var izraisīt negadījumu.

- **Nedarbiniet mašīnas sprādzienbīstamā vidē, piemēram, viegli uzliesmojošu šķidrums, gāzu vai putekļu tuvumā.** Mašīnas rada dzirksteles, kas var aizdedzināt putekļus vai tvaikus.
- **Mašīnas lietošanas laikā neļaujiet tuvumā atrasties bērniem un citām personām.** Uzmanības novēršanas dēļ varat zaudēt vadību.

Elektrodrošība

- **Mašīnas kontaktspraudņiem jāatbilst kontaktligzdām. Nekādā gadījumā nepārveidojiet kontaktspraudnī! Iezemētām mašīnām nedrīkst izmantot nekādus pārejas spraudņus.** Oriģināli kontaktspraudņi un atbilstošas kontaktligzdas samazina elektriskās strāvas triecienu risku.
- **Nepieļaujiet ķermeņa saskari ar zemētām virsmām, piemēram, caurulēm, radiatoriem, plītiem un ledusskapjiem.** Ja ir izveidojies ķermeņa zemējums, pastāv paaugstināts elektriskās strāvas triecienu risks.
- **Nepakļaujiet mašīnas lietus vai mitruma iedarbībai.** Ūdens, kas iekļuvis mašīnā, palielina elektriskās strāvas triecienu risku.
- **Lietojot kabeli, ievērojiet piesardzību. Nekad neizmantojiet barošanas kabeli mašīnas pārmēsāšanai, vilkšanai vai atvienošanai no kontaktligzdas. Sargiet kabeli no karstuma, eļļas, asām malām un kustīgām detaļām.** Bojāti vai savijušies kabeli paaugstina elektriskās strāvas triecienu risku.
- **Lietojot mašīnu ārpus telpām, izmantojiet piemērotu ārpus telpu pagarinātāju.** Lietošanai ārpus telpām piemērota pagarinātāja lietošana samazina elektriskās strāvas triecienu risku.
- **Ja mašīna jālieto mitrumā, izmantojiet paliekošās strāvas ierīci (Residual Current Device, RCD).** Izmantojot RCD, tiek samazināts elektriskās strāvas triecienu risks.

Individuālā aizsardzība

- **Lietojot ierīci, ievērojiet piesardzību, pārdomājiet savas darbības un rīkojieties saprātīgi. Nelietojiet ierīci, kad esat noguris, narkotiku, alkohola vai zāļu iespaidā.** Pat neliela neuzmanība, izmantojot ierīci, var radīt smagu traumu.
- **Lietojiet individuālos aizsarglīdzekļus. Vienmēr lietojiet acu aizsargus.** Individuālo aizsardzības līdzekļu, piemēram, putekļu maskas, aizsargapavu ar neslidošām zolēm, ķiveres vai dzirdes aizsarglīdzekļu, lietošana attiecīgos apstākļos samazina traumu gūšanas risku.

- **Nepieļaujiet nejašu ieslēgšanu. Pirms pievienojat ierīci barošanas avotam un/vai akumulatoram, pabeļojt vai pārnēsājot to, pārliecinieties, ka ierīce ir izslēgta.** Ierīču pārnēsāšana, turot pirkstu uz slēdža, vai mašīnu pieslēgšana barošanai, ja ir ieslēgts slēdzis, var izraisīt negadījumus.
- **Pirms ierīces ieslēgšanas noņemiet visas regulēšanas atslēgas vai uzgriežņu atslēgas.** Uz ierīces rotējošajās daļās atstāta uzgriežņu atslēga vai atslēga var radīt traumu.
- **Nesniedzieties pārāk tālu. Vienmēr stāviet stabili un saglabājiet līdzsvaru.** Tādējādi var labāk vadīt ierīci negaidītās situācijās.
- **Attiecīgi apģērbieties. Nevalkājiet vaļīgu apģērbu vai rotaslietas. Nepieļaujiet matu un apģērba saskari ar kustīgajām daļām.** Vaļīgas drēbes, rotaslietas vai gari mati var iekerties kustīgajās detaļās.
- **Ja komplektācijā ir iekļautas pievienojamas putekļu iesūces ierīces un savākšanas tvertnes, pārbaudiet, vai tās ir piestiprinātas un tiek izmantotas pareizi.** Putekļu savākšanas līdzekļu izmantošana var samazināt putekļu radītos draudus.
- **Vienmēr ievērojiet ierīces drošas izmantošanas principus un neignorējiet tos pat, ja bieži izmantojat ierīci un esat labi apguvuši tās lietošanu.** Neuzmanīga rīcība vienā acimīrkli var radīt smagas traumas.

Kāta zāga lietošana un kopšana

- **Nepielieciet kāta zāgim spēku. Izmantojiet konkrētajam darbam piemērotu kāta zāgi.** Ar piemērotu kāta zāgi varēsiet labāk un drošāk strādāt norādītajā veiktspējas diapazonā.
- **Nelietojiet kāta zāgi, ja, nospiežot slēdzi, tas neizslēdzas vai neizslēdzas.** Ierīce, kuru nevar vadīt, izmantojot slēdzi, rada apdraudējumu un tā jāremontē.
- **Pirms jebkādu regulēšanas darbu veikšanas, piederumu maiņas vai ierīces novietošanas uzglabāšanai atvienojiet kontaktspraudni no barošanas avota un/vai izņemiet akumulatoru.** Šie pasākumi palīdz novērst kāta zāga nejašu ieslēgšanu.
- **Ja kāta zāgi neizmantojat, novietojiet to bērniem nepieejamā vietā un neļaujiet to lietot tiem, kas nepārzina kāta zāga lietošanu vai šeit sniegtos norādījumus.** Kāta zāgis kļūst par apdraudējumu, ja to izmanto neapmācīti lietotāji.
- **Veiciet kāta zāga un piederumu tehnisko apkopi.** Pārbaudiet kustīgo detaļu salāgojumu un ķeršanas, bojājumus un jebkādu citu stāvokli, kas var ietekmēt kāta zāga darbību. Ja kāta zāgis ir bojāts, pirms lietošanas saremontējiet to. Daudz nelaideis gadījumu iemesls ir slikti uzturētas ierīces.
- **Griezējinstrumenti jāuztur asi un tīri.** Pareizi uzturētas griešanas ierīces ar asiem asmeņiem retāk salīceas, un tās ir vieglāk vadīt.
- **Lietojiet kāta zāgi, piederumus un asmeņus u.c. detaļas atbilstoši šeit sniegtajiem norādījumiem, ņemot vērā darba apstākļus un veicamos**

uzdevumus. Kāta zāga lietošana mērķiem, kuriem tas nav paredzēta, var radīt bīstamas situācijas.

- **Rokturēm un turēšanas virsmām ir jābūt sausām, frām un uz tām nedrīkst būt eļļas un smērvielas.** Slideni rokturi un turēšanas virsmas traucē drošu kāta zāga lietošanu un vadību negaidītās situācijās.

Akumulatora apgaismojuma sistēmas lietošana un apkope

- **Uzlādei izmantojiet tikai ražotāja norādīto lādētāju.** Lādētājs, kas ir piemērots viena tipa akumulatora blokam, var kļūt ugunsbīstams, lietojot to cita veida akumulatora blokam.
- **Izmantojiet dzīvzoga šķērēs tikai paredzētos akumulatorus.** Jebkura cita akumulatora bloka lietošana var radīt traumas un aizdegšanās risku.
- **Kad akumulatora bloks netiek izmantots, turiet to drošā attālumā no metāla priekšmetiem, piemēram, papīra saspraudēm, monētām, atslēgām, naglām, skrūvēm un citiem nelieliem metāla priekšmetiem, kas var savienot spailes.** Akumulatora spaiļu savienošana var radīt apdegumus vai aizdegšanos.
- **Nepareizi lietojot, no akumulatora var iztect šķidrums; izvairieties no saskares ar to.** Ja nejaši notiek saskare, noskalojiet skarto vietu ar lielu daudzumu ūdens. Ja šķidrums iekļūst acīs, vērsieties pēc medicīniskās palīdzības. No akumulatora iztecejis šķidrums var radīt kairinājumu vai apdegumus.
- **Nelietojiet bojātu vai pārveidotu akumulatoru vai apgaismojuma sistēmu.** Bojāts vai pārveidots akumulators var darboties neparedzami, izraisot aizdegšanos, sprādzienu vai traumu gūšanas risku.
- **Nepakļaujiet akumulatoru vai dzīvzoga šķērēs uguns vai augstas temperatūras ietekmei.** Ja pakļausiet dzīvzoga šķērēs uguns vai tādās temperatūras iedarbībai, kas pārsniedz 130 °C (265 °F), var notikt sprādziens.
- **Ievērojiet visus norādījumus par akumulatora uzlādi un nekādā gadījumā neuzlādējiet akumulatoru vai apgaismojuma sistēmu ārpus lietošanas rokasgrāmatā norādītā temperatūras diapazona.** Nepareiza uzlāde vai uzlāde temperatūrā, kas ir ārpus norādītā diapazona, var bojāt akumulatoru un palielināt aizdegšanās risku.

Apkope

- **Uzticiet mašīnas apkopi tikai kvalificētam remontdarbu speciālistam, kas izmanto oriģinālas rezerves daļas.** Tādējādi tiks garantēta mašīnas droša izmantošana.
- **Nekad neveiciet bojātu akumulatoru apkopi.** Akumulatoru apkopi drīkst veikt tikai ražotājs vai pilnvarota apkopes pakalpojumu nodrošinātājs.

Cita vispārīga drošības informācija

- Pirms pārvietošanās uz citu vietu izslēdziet izstrādājumu. Nododot izstrādājumu citai personai, vienmēr izņemiet akumulatoru.

- Nekad nenolieciet izstrādājumu, kamēr neesat to izslēdzis un izņēmis akumulatoru. Neatstājiet izstrādājumu bez uzraudzības, kad tas ir ieslēgts.
- Griešanas mehānisms neapstājas uzreiz pēc izstrādājuma izslēgšanas.
- Pirms izstrādājuma lietošanas un pēc triecieniem pārbaudiet, vai nav radušās nodiluma vai bojājumu pazīmes, un, ja nepieciešams, saremontējiet.
- Ja griešanas ierīcē rodas nosprostojums izstrādājuma darbības laikā, apturiet un izslēdziet izstrādājumu. Pārliecinieties, ka griešanas ierīce pilnībā apstājas. Pirms izstrādājuma un/vai griešanas ierīces tīrīšanas, pārbaudes vai remonta izņemiet akumulatoru.
- Pirms lietošanas pārbaudiet izstrādājumu. Skatiet šeit: *Izstrādājuma drošības ierīces lpp. 265 un Apkope lpp. 269*. Nelietojiet bojātu izstrādājumu. Ievērojiet šajā rokasgrāmatā aprakstītās drošības pārbaudes, tehniskās apkopes un remonta norādījumus.
- Bojāta griešanas ierīce var palielināt nelaimes gadījumu risku.
- Pārbaudiet, vai aprīkojums nav netīrs un saplaisājis. Ar suku notīriet no aprīkojuma zāli un lapas. Ja nepieciešams, uzvelciet cimdus.
- Vienmēr pārbaudiet, vai izstrādājuma ventilācijas spraugas uzturētas tīras no aizsērējumiem.
- Pārbaudiet, vai trimera galva ir pilnībā savienota ar trimeri.
- Pirms iedarbināšanas jābūt piespīrinātiem visiem pārsegumiem, aizsargiem un rokturiem.
- Pārbaudiet, vai izstrādājums ir pilnīgi labā stāvoklī. Pārbaudiet vai visas uzgriežņi un skrūves ir pievilkti.
- Pārbaudiet, vai trimera galva un trimera aizsargs nav bojāts vai saplaisājis. Nomainiet trimera galvu vai trimera aizsargu, ja tas ticis pakļauts triecienam vai iekļūstījis. Vienmēr lietojiet konkrētai griešanas ierīcei ieteikto aizsargu. Skatiet šeit: *Tehniskie dati lpp. 271*.
- Šis izstrādājums ir bīstams instruments, ja ar to nerīkojas uzmanīgi vai ja to lieto nepareizi. Šis izstrādājums var radīt smagas vai nāvējošas traumas jums vai citiem.
- Šo izstrādājumu nedrīkst lietot personas (tostarp bērni) ar ierobežotām kustībām, maņu vai garīgiem traucējumiem un personas ar nepietiekamu lietošanas pieredzi vai zināšanām, izņemot gadījumus, kad par šo personu drošību atbildīgā persona šīs personas uzrauga vai ir atbilstoši instruējis. Neļaujiet bērniem rotālāties ar šo izstrādājumu.
- Neļaujiet bērniem lietot šo izstrādājumu vai uz uzturēties tās tuvumā. Tā kā izstrādājumu ir vienkārši iedarbināt, bērni to var nejauši ieslēgt, ja netiek uzraudzīti. Tas var radīt smagu traumu. Tāpēc, ja izstrādājums netiek pieskaftis, vienmēr atvienojiet akumulatoru.
- Nekādā gadījumā neļaujiet bērniem vai citām atbilstoši neapmācītām personām lietot izstrādājumu, mainīt tā akumulatoru vai veikt tehnisko apkopi.
- Uzglabājiet izstrādājumu noslēdzamā vietā, kas nav pieejama bērniem un nepiederošām personām.
- Glabāšanas un pārvietošanas laikā obligāti jāizmanto transportēšanas pārsegs.
- Turiet rokas un kājas drošā attālumā no griešanas vietas, it īpaši ierīces motora ieslēgšanas laikā.
- Pēc izstrādājuma ieslēgšanas netuviniet aukstas un pēdas griešanas ierīcei, līdz tā ir pilnībā apstājusies.
- Nenonēmiat sagrieztu materiālu un neļaujiet citiem ņemt sagrieztu materiālu, kad izstrādājums darbojas vai griešanas aprīkojums griežas, jo tas var radīt smagas traumas.
- Atcerieties, ka jūs kā operators esat atbildīgs par cilvēku vai viņu īpašuma aizsardzību pret nelaimes gadījumiem vai apdraudējumu.
- Nekādā gadījumā nepārveidojiet izstrādājuma konstrukciju bez ražotāja atļaujas. Vienmēr izmantojiet oriģinālos piederumus. Neatļautas izmaiņas un/vai neatļauti piederumi var radīt smagas vai nāvējošas traumas izstrādājuma lietotājam un citiem. Jūsu garantija, iespējams, neattiecas uz bojājumiem vai atbildību, ko ir izraisījis nesankcionētu piederumu vai rezerves daļu lietošana.
- Šo izstrādājumu drīkst lietot tikai kopā ar mūsu ieteiktajām griešanas ierīcēm, kas norādītas nodaļā Piederumi. Skatiet šeit: *Piederumi lpp. 272*.
- Nekādā gadījumā nelietojiet izstrādājumu, kas ir pārveidots, neievērojot sākotnējo specifikāciju.
- Nekad nelietojiet bojātu izstrādājumu. Ievērojiet šajā rokasgrāmatā aprakstītās drošības pārbaudes, tehniskās apkopes un remonta norādījumus. Dažus apkopes un remonta darbus drīkst veikt tikai apmācīti un kvalificēti speciālisti. Skatiet norādījumus nodaļā Tehniskā apkope.
- Darbs sliktos laikapstākļos ir nogurdinošs un bieži rada papildu risku. Paaugstinātā riska dēļ nav ieteicams izmantot izstrādājumu ļoti sliktos laikapstākļos, piemēram, biežā miglā, stiprā lietū, spēcīgā vējā, lielā aukstumā, negaisa laikā un tamlīdzīgos apstākļos.
- Nekad nestrādājiet, stāviet uz trepēm, paliktņa vai kāda cita nenostiprināta paaugstinājuma.
- Uzglabājiet izslēgtus izstrādājumus telpās – neizmantojiet izstrādājumi ir jāuzglabā telpās
- Ņemiet vērā, ka visas iespējamās situācijas nav iespējams paredzēt. Vienmēr esiet piesardzīgi un izmantojiet veselo saprātu. Izvairieties no situācijām, kurās nejutāties isti pārliecināti par notiekošo vai veicamajām darbībām. Ja pēc šo norādījumu izlasīšanas joprojām nepārzīnāt veicamās darbības, pirms turpmākas rīcības konsultējieties ar kādu ekspertu.
- Strādājot sekojiet, lai nevienš cilvēks vai dzīvnieks netuvojas darba vietai tuvāk par 15 metriem (50 pēdām). Ja vienā darba vietā strādā

vairāki operatori, drošības attālumam starp tiem jābūt vismaz 15 metriem (50 pēdām). Citādi var tikt radīta smaga trauma. Ja kāds tuvojas, nekavējoties apturiet izstrādājumu. Nekad nelietojiet izstrādājumu, pirms neesat paskatījies atpakaļ un pārliecinājies, ka drošības zonā neviena nav.

- **Nodrošiniet, lai cilvēki, dzīvnieki un citi apstākļi neietekmē izstrādājuma vadību, un tie nesaskaras ar griešanas ierīci vai nestāv ceļā priekšmetiem, ko var izsviest griešanas ierīce. Nelietojiet izstrādājumu, ja nelaimes gadījumā nav iespējams izsaukt palīdzību.**
- **Pārliecinieties, ka ir iespējams droši pārvietoties un stāvēt. Pārbaudiet, vai tuvumā nav šķēršļu (saknes, akmeņi, zari, bedres utt.), kas var traucēt, ja pieeši nepieciešams pārvietoties. Ievērojiet īpašu piesardzību, strādājot nogāzēs.**
- **Ejiet, nekādā gadījumā neskrīniet.**
- **Pārbaudiet darba zonu. Novāciet visus vaļīgos priekšmetus, piemēram, akmeņus, stikla lauskas, naglas, tērauda stiepli, auklas un citus priekšmetus, kas var tikt izsviesti vai aptīties apkārt griezējam vai griezēja aizsargam.**
- **Uzmanieties no zaru gabaliņiem, kas tiek izmesti griešanas laikā. Negrieziet pārāk tuvu zemei, kur var tikt izsviesti akmeņi un citi priekšmeti.**
- **Gādājiet, lai aktivizēta izstrādājuma griešanas ierīce nesaskartos ar apgērbu vai ķermeņa daļām. Turiet izstrādājumu zem jostas līmeņa.**
- **Sargieties no izsviestiem priekšmetiem. Vienmēr lietojiet apstiprinātus acu aizsarglīdzekļus. Nekad nepārliecieties pār griešanas ierīces aizsargu. Akmeņi, gruži un citi elementi var tikt izsviesti, trāpot acis un izraisot akulumu vai smagas traumas.**
- **Lietojot dzirdes aizsarglīdzekļus, vienmēr uzmanīgi klausieties, lai sadzirdētu brīdinājumu signālus vai saucienus. Kad izstrādājums apstājas, vienmēr noņemiet dzirdes aizsarglīdzekļus.**
- **Ja rodas nevēlama vibrācija, izvelciet jaunu auklu un iestatiet pareizu garumu – tādējādi vibrācija tiks novērsta.**
- **Ja izstrādājums rada normām neatbilstošu vibrāciju, apturiet tā darbību un izņemiet akumulatoru.**
- **Personām ar asinsrites traucējumiem pārmērīga atrašanās vibrāciju ietekmē var izraisīt asinsrites vai nervu sistēmas saslimšanu. Ja jūtat pārmērīgas vibrācijas ietekmes simptomus, sazinieties ar ārstu. Simptomi var būt šādi: nejutīgums, tirpšana, dūrieni, sāpes, spēka zudums, ādas krāsas vai stāvokļa izmaiņas. Šie simptomi parasti ir novērojami pirkstos, rokās vai locītavās.**
- **Vienmēr turiet izstrādājumu ar abām rokām. Turiet izstrādājumu ķermeņa labajā pusē.**

Individuālie aizsarglīdzekļi



BRĪDINĀJUMS: Pirms sākat lietot šo izstrādājumu, izlasiet tālāk izklāstītos brīdinājumus.

- **Izmantojot izstrādājumu, vienmēr lietojiet apstiprinātus individuālos aizsarglīdzekļus. Šādi līdzekļi nevar pilnībā novērst traumu gūšanas risku, taču samazina traumu smaguma pakāpi, ja negadījums tomēr notiek. Ļaujiet izplatītajam palīdzēt jums izvēlēties pareizo aprīkojumu.**
- **Izmantojiet aizsargķiveri, ja pastāv kritošu priekšmetu draudi.**
- **Lietojiet tādus dzirdes aizsarglīdzekļus, kas nodrošina pietiekamu trokšņa slāpēšanu. Ilgstoša uzturēšanās troksnī var radīt būtiskus dzirdes bojājumus.**
- **Izmantojiet apstiprinātus acu aizsarglīdzekļus. Apstiprinātas aizsargbrilles ir jālieto arī tad, ja tiek izmantots sejsēgs. Apstiprinātas aizsargbrilles ir tādas, kas atbilst standartam ANSI Z87.1 prasībām ASV vai standarta EN 166 prasībām ES valstīs.**
- **Sejas aizsardzībai izmantojiet sejsēgu. Ar sejsēgu nepietiek, lai aizsargātu acis.**

(Att. 9)

- **Vajadzības gadījumā izmantojiet cimdus, piemēram, piestiprinot, pārbaudot vai tīrot griešanas ierīci.**
- **Valkājiet neslīdošus un stabilus zābakus.**
- **Lietojiet izturīga auduma apgērbu. Vienmēr valkājiet biezas, garas bikses un apgērbu ar garām piedurknēm. Nevalkājiet vaļīgu apgērbu, kas viegli var iekerties krūmos un zaros. Nenēsājiet rotaslietas, nevelciet šortus, sandales un neestrādājiet basām kājām. Sakārtojiet matus droši virs pleciem.**

(Att. 10)

- **Gādājiet, lai tuvumā būtu pirmās palīdzības piederumi.**

(Att. 11)

Izstrādājuma drošības ierīces



BRĪDINĀJUMS: Pirms izstrādājuma lietošanas izlasiet tālāk izklāstītos brīdinājumus.

Šajā sadaļā ir izskaidrotas izstrādājuma drošības funkcijas, tā nolūks un veidi, kā tiek veikta tā pārbaude un apkope, lai garantētu izstrādājuma pareizu darbību. Skatiet norādījumus nodaļā ar virsrakstu *Jevads lpp. 261* lai uzzinātu, kur izstrādājumā atrodas šīs daļas.

Šī izstrādājuma darbmūžs var saīsināties un var palielināties nelaimes gadījumu risks, ja izstrādājuma apkope netiek veikta pareizi un ja apkope un/vai remonts netiek veikts profesionāli. Ja nepieciešama papildu informācija, sazinieties ar tuvāko izplatītāju, kas nodrošina apkopi.



BRĪDINĀJUMS: Nekādā gadījumā nelietojiet izstrādājumu ar bojātu drošības aprīkojumu. Izstrādājuma drošības aprīkojums ir jāpārbauda un jāuztur, pamatojoties uz šajā nodaļā izklāstīto informāciju. Ja izstrādājums neatbilst

iepriekš aprakstīto pārbaužu prasībām, sazinieties ar vietējo remontdarbnieku, lai izstrādājumu saremontētu.



IEVĒROJIET: Izstrādājuma apkopi un remontu drīkst veikt tikai īpaši apmācīti tehniķi. Tas jo īpaši attiecas uz izstrādājuma drošības apriņķojumu. Ja izstrādājums neatbilst zemāk aprakstīto pārbaužu prasībām, sazinieties ar apkopes pakalpojumu nodrošinātāju. Jebkura mūsu izstrādājuma iegāde garantē profesionāla remonta un apkopes pieejamību. Ja mazumtirgotājs, pie kura iegādājāties izstrādājumu, nav apkopi veicošs izplatītājs, uzziniet no viņa tuvākā apkopes veicēja adresi.

- Pirms izstrādājuma sagatavošanas darbam izņemiet no tā akumulatoru.
- Izmantojiet apstiprinātus aizsargcimdus.
- Bojāts vai nepareizs aizsargs var radīt traumu.
- Neizmantojiet griešanas ierīci, kam nav piestiprināts apstiprināts aizsargs.
- Pirms ieslēgt izstrādājumu, pārliecinieties, ka pārsegs un vārpsta ir uzstādīta pareizi.
- Ja stiprinājuma (drošības jostas) komplektācijā ir palīgierīce, stiprinājums (drošības josta) ir pareizi jāpievieno izstrādājumam. Stiprinājus (drošības josta) padara lietošanu drošu, kā arī nepieļauj operatora vai citu personu traumas.

Akumulatora drošība



BRĪDINĀJUMS: Pirms izstrādājuma lietošanas izlasiet zemāk minētos brīdinājuma norādījumus.

- Izmantojiet tikai Husqvarna apstiprinātus akumulatorus. Skatiet šeit: *Apstiprinātie akumulatori lpp. 272*. Akumulatoriem ir šifrēta programmatūra.
- Izmantojiet Husqvarna apstiprinātus akumulatorus kā barošanas avotu tikai paredzētajiem Husqvarna izstrādājumiem. Lai nepieļautu traumu gūšanas risku, akumulatoru nedrīkst izmantot kā citu ierīču barošanas avotu.
- Elektriskās strāvas trieciena risks. Nesavienojiet akumulatora spaiļes ar atslēgām, monētām, skrūvēm vai citiem metāla priekšmetiem. Var notikt akumulatora insavienojums.
- Nelietojiet vienreiz lietojamās baterijas.
- Neievietojiet nekādus priekšmetus akumulatora gaisa atverēs.
- Neglabājiet akumulatoru vietās, kas ir pakļautas tiešai saulesgaismai, karstumam vai atklātām liesmām. Akumulators var radīt apdegumus un/vai ķīmiskos apdegumus.
- Akumulatoru nedrīkst pakļaut lietus un mitruma ietekmei.
- Akumulatoru nedrīkst pakļaut mikroviļņu un augsta spiediena ietekmei.
- Akumulatoru nedrīkst izjaukt vai saspīst.
- Ja rodas noplūde no akumulatora, neļaujiet šķidrums saskarties ar ķermeni vai acīm. Ja pieskaraties šķidrums, nomazgājiet skarto vietu ar lielu daudzumu ūdens un ziepēm un meklējiet medicīnisko palīdzību. Ja šķidrums iekļūst acīs, neberzējiet tās, bet vismaz 15 minūtes skalojiet ar ūdeni un meklējiet medicīnisko palīdzību.
- Akumulatoru drīkst izmantot temperatūrā no -10 °C (14 °F) līdz 40 °C (114 °F).
- Netīriet akumulatoru un tā lādētāju ar ūdeni. Skatiet šeit: *Produkta, akumulatora un akumulatora lādētāja tīrīšana lpp. 270*.
- Nelietojiet akumulatoru, kas ir bojāts vai nedarbojas pareizi.

Lietotāja interfeisa pārbaude

1. Nospiediet un turiet nospiestu ieslēgšanas/izslēgšanas (On/Off) slēdzi (A). (Att. 12)
 - a) Izstrādājums ir ieslēgts, ja iedegas displejs (B).
 - b) Izstrādājums ir izslēgts, ja displejs nodziest.
2. Ja displejā iedegas vai mirgo brīdinājuma indikators, skatiet šeit: *Tastatūra lpp. 270*.

Piedziņas mēlītes bloķētāja pārbaude

Piedziņas mēlītes bloķētājs ir paredzēts nejaušas iedarbības novēršanai. Ja stumsit piedziņas mēlītes bloķētāju uz priekšu (A) un tad piespiedīsīt to rokturim (B), piedziņas mēlīte (C) tiks atbrīvota. Atlaižot rokturi, piedziņas mēlīte un piedziņas mēlītes bloķētājs atgriežas sākotnējā stāvoklī. Šo darbību nodrošina trīs atsevišķas atsperes. (Att. 13)

1. Pārbaudiet, vai piedziņas mēlīte ir nobloķēta, kad bloķētājs ir sākotnējā stāvoklī. (Att. 14)
2. Bīdīet piedziņas mēlītes bloķētāju uz priekšu (A) un uz leju. Turiet piedziņas mēlītes bloķētāju piespiestu rokturim (B) un pārliecinieties, ka pēc atbrīvošanas tas atgriežas sākotnējā stāvoklī. (Att. 15)
3. Pārbaudiet, vai piedziņas mēlīte un piedziņas mēlītes bloķētājs brīvi kustas un atgriežas atsperē darbojas pareizi. (Att. 16)
4. Lai ieslēgtu (On) izstrādājumu, nospiediet ieslēgšanas/izslēgšanas (On/Off) slēdzi.
5. Pilnībā nospiediet piedziņas mēlīti, lai darbinātu izstrādājumu maksimālā ātrumā.
6. Atlaidiet piedziņas mēlīti un pārbaudiet, vai griešanas ierīce apstājas un ir nekustīga.

Norādījumi par drošu uzstādīšanu



BRĪDINĀJUMS: Lasiet šo elektriskās ierīces rokasgrāmatu kopā ar apstiprināto piederumu rokasgrāmatu.

- Uzglabājiet akumulatorus vietā, kur nav metāla priekšmetu, piemēram, naglu, skrūvju vai rotaslietu.
- Sargiet akumulatoru no bērniem.

Akumulatora lādētāja drošības norādes



BRĪDINĀJUMS: Pirms izstrādājuma lietošanas izlasiet zemāk minētos brīdinājuma norādījumus.

- Ja drošības norādījumi netiek ievēroti, pastāv elektriskās strāvas trieciena vai īssavienojuma risks.
- Neizmantojiet citus akumulatoru lādētājus, izņemot pūtējam paredzēto. Izmantojiet tikai Husqvarna apstiprinātus akumulatora lādētājus, lai uzlādētu Husqvarna apstiprinātos akumulatorus. Norādījumus skatiet šeit: *Tehniskie dati lpp. 271*.
- Nemēģiniet izjaukt akumulatora lādētāju.
- Nelietojiet akumulatora lādētāju, kas ir bojāts vai nedarbojas pareizi.
- Nevelciet akumulatora lādētāju aiz barošanas kabeļa. Lai akumulatora lādētāju atvienotu no elektrofīkla kontaktligzdas, velciet aiz kontaktspraudņa.
- Uzmanieties, lai vadi un pagarinātāji nesaskartos ar ūdeni, eļļu un asām malām. Nodrošiniet, lai kabelis netiktu iespiests starp priekšmetiem, piemēram, durvis, nožogojumus vai līdzīgās konstrukcijās.
- Nelietojiet akumulatora lādētāju viegli uzliesmojošu materiālu vai materiālu, kas var izraisīt koroziju, tuvumā. Pārliecinieties, vai akumulatora lādētājs nav pārsegts. Ja konstatējat dūmus vai uguni, izraujiet akumulatora lādētāja kontaktspraudni.
- Uzlādējiet akumulatoru tikai tādās telpās, kur ir laba gaisa plūsma un kur akumulators nav pakļauts saules gaismas ietekmei. Neuzlādējiet akumulatoru ārpus telpām. Neuzlādējiet akumulatoru mitrumā.
- Akumulatora lādētāju izmantojiet tikai vietās, kur temperatūra ir no 5 °C (41 °F) līdz 40 °C (104 °F). Izmantojiet lādētāju labi vēdināmā un sausā vietā, kur nav putekļu.

- Neievietojiet nekādus priekšmetus akumulatora lādētāja dzesēšanas atverēs.
- Nekādā gadījumā akumulatora lādētāja spaiļes nesavienojiet ar metāla priekšmetiem, jo tas var izraisīt akumulatora lādētāja īssavienojumu.
- Izmantojiet apstiprinātas kontaktlīgšanas, kas nav bojātas. Pārliecinieties, vai akumulatora lādētāja vads nav bojāts. Ja tiek izmantoti pagarinātāji, pārliecinieties, vai tie nav bojāti.

Norādījumi par drošu apkopi



BRĪDINĀJUMS: Pirms veicat produkta apkopi, izlasiet brīdinājuma norādījumus.

- Noņemiet akumulatoru, pirms veicat apkopi, citas pārbaudes vai montējat produktu.
- Operators drīkst veikt tikai šajā lietotāja rokasgrāmatā norādītos apkopes un servisa darbus. Par plašākiem apkopes un servisa darbiem sazinieties ar jūsu apkopes nodrošinātāju.
- Netīriet akumulatoru un tā lādētāju ar ūdeni. Spēcīgs mazgāšanas līdzeklis var radīt plastmasas bojājumus.
- Neveicot apkopi, samazinās produkta dzīves cikls un palielinās nelaimes gadījumu risks.
- Īpaša apmācība ir nepieciešama visiem apkopes un remontdarbiem, jo īpaši šī produkta drošības ierīcēm. Ja visas šajā lietotāja rokasgrāmatā norādītās pārbaudes netiek apstiprinātas pēc apkopes veikšanas, sazinieties ar apkopes nodrošinātāju. Mēs garantējam profesionālu remontdarbu un apkopes pieejamību jūsu produktam.
- Vienmēr izmantojiet tikai oriģinālās detaļas.
- Labojot griešanas ierīci, noteikti izmantojiet izturīgus cimdus. Asmeņi ir ļoti asi, tāpēc ļoti vienkārši var gūt traumas.

Montāža

Cilpas roktura montāža

1. Piestipriniet cilpas rokturi uz stieņa vietā starp bultīņām. Nenovietojiet cilpveida rokturi vai uzkares cilpu uz etiķetes. (Att. 17)
2. Iebīdīet starpliku cilpas roktura atverē.
3. Piestipriniet uzgriezni, rokturi un skrūvi; nepārvelciet.
4. Pielāgojiet izstrādājumu ērtā darba stāvoklī.
5. Pievelciet skrūvi.

Divdaļīgās vārpstas montāža

1. Pagrieziet rokturi, lai atlaistu savienojumu. (Att. 18)

2. Salāgojiet fiksatoru (A) ar bultīņu (B) uz savienojuma. (Att. 19)
3. Iebīdīet vārpstu savienojumā, līdz vārpsta fiksējas. (Att. 20)
4. Pilnībā pievelciet rokturi. (Att. 21)

Divdaļīgās vārpstas izjaukšana

1. Pagrieziet rokturi trīs apgriezienus vai vairāk, lai atlaistu savienojumu. (Att. 22)
2. Turiet nospiestu pogu (C).
3. Turiet cieši vārpstas galu, pie kura ir piestiprināts motors.
4. Izvelciet ierīci no savienojuma. (Att. 23)

Piekares gredzena uzstādīšana (ja pieejams)

1. Uzstādi piekares gredzenu starp bultām uz aizmugurējā roktura un cilpveida roktura. (Att. 24)

Piezīme: Nenovietojiet cilpveida rokturi uz uzlīmes.

2. Noregulējiet gredzenu tā, lai izstrādājums atrastos līdzsvarā un to būtu viegli lietot.

Lietošana

Ievads



BRĪDINĀJUMS: Pirms produkta lietošanas izlasiet un izprotiet drošības norādījumus.

Husqvarna Connect

Husqvarna Connect ir bezmaksas lietotne mobilajai ierīcei. Lietotne Husqvarna Connect nodrošina paplašinātas funkcijas jūsu Husqvarna izstrādājumam.

- Paplašināta izstrādājuma informācija.
- Informācija par izstrādājuma daļām un apkopi un palīdzība ar to.

Lai sāktu izmantot Husqvarna Connect

1. Lejupielādējiet lietotni Husqvarna Connect savā mobilajā ierīcē.
2. Reģistrējieties Husqvarna Connect lietotnē.
3. Izpildiet Husqvarna Connect lietotnē sniegtos norādījumus, lai pievienotu un reģistrētu izstrādājumu.

Piezīme: Lietotne Husqvarna Connect nav pieejama lejupielādei visos reģionos. Lai iegūtu plašāku informāciju, sazinieties ar apkopes sniedzēju.

Akumulatoru savienošana ar produktu



BRĪDINĀJUMS: Produktā izmantojiet tikai Husqvarna oriģinālos akumulatorus.

1. Pārlicinieties, vai akumulators ir pilnībā uzlādēts.
2. Iebīdi akumulatoru izstrādājuma akumulatora turētājā. Atskanot klikšķim, akumulators automātiski nofiksējas. (Att. 25)



IEVĒROJIET: Ja akumulators viegli neieslīd akumulatora turētājā, akumulators nav pareizi uzstādīts. Pretējā gadījumā izstrādājums var tikt bojāts.

3. Pārlicinieties, vai akumulators ir pareizi uzstādīts.

Akumulatora uzlāde

Piezīme: Ja akumulatoru lietojat pirmo reizi, uzlādējiet to. Jauns akumulators ir uzlādēts tikai par 30%.

1. Pārlicinieties, ka akumulators ir sauss.
2. Ievietojiet akumulatoru akumulatora lādētājā. (Att. 26)

Piezīme: Dažādiem izstrādājuma modeļiem akumulators un akumulatora lādētājs var izskatīties atšķirīgi, taču veicamās darbības ir tādas pašas.

3. Pārlicinieties, vai iedegas akumulatoru lādētāja zaļā uzlādes gaismas diode. Tas nozīmē, ka akumulators ir pareizi savienots ar akumulatora lādētāju.
4. Kad deg visi akumulatora LED indikatori, akumulators ir pilnībā uzlādēts. (Att. 27)
5. Lai akumulatoru lādētāju atvienotu no elektrotīkla kontaktlīdždas, izraujiet kontaktdakšu. Neraujiet kabeli.
6. Izņemiet akumulatoru no lādētāja.

Piezīme: Lai iegūtu papildinformāciju, skatiet akumulatora un akumulatoru lādētāja rokasgrāmatas.

Darba pozīcija

- Turiet izstrādājumu ar abām rokām.
- Turiet izstrādājumu ķermeņa labajā pusē.
- Turiet griešanas ierīci zem vidukļa līnijas.
- Netuviniet ķermeņa daļas karstām virsmām.
- Netuviniet ķermeņa daļas griešanas ierīcei.

Pirms izstrādājuma darbināšanas

- Pārbaudiet darba zonu, lai pārlicinātos, ka zināt virsmas veidu, zemes slīpumu un to, vai ir šķēršļi, piemēram, akmeņi, zarī un grāvji.
- Veiciet rūpīgu izstrādājuma pārbaudi.
- Veiciet drošības pārbaudes, uzturēšanu un apkopi, kas aprakstīta šajā rokasgrāmatā.
- Pārlicinieties, vai visi pārsegi, aizsargi, rokturi un piederumi ir pareizi piestiprināti un nav bojāti.

Izstrādājuma ieslēgšana

1. Turiet nospiestu ieslēgšanas/izslēgšanas (On/Off) slēdzi, līdz iedegas zaļais LED indikators. (Att. 28)

2. Regulējiet ātrumu ar pedziņas mēlīti.

Maksimālā ātruma ierobežošana ar režīma pogu

Izstrādājumam ir režīma poga. Izmantojot režīma pogu, operators var ierobežot maksimālo ātrumu. Režīma pogai ir trīs ātruma līmeņi. Zemāks līmenis paildzina izstrādājuma darbības laiku. Režīma pogai ir trīs ātruma līmeņi. Zemāks līmenis paildzina izstrādājuma darbības laiku. Izmantojiet 1. un 2. līmeni, ja darbībai nav nepieciešams maksimāls ātrums/maksimāla jauda. Ja darba apstākļiem ir nepieciešams maksimālais ātrums/pilna jauda, izmantojiet 3. līmeni. Neizmantojiet darbam augstāku līmeni, nekā tas ir nepieciešams.

1. Nospiediet režīma pogu, lai iestāfītu maksimālā ātruma ierobežojumu. Ja funkcija ir ieslēgta, iedegas balta gaismas diode. (Att. 29)

2. Vēlreiz nospiediet režīma pogu, lai izvēlētos nākamo ātruma līmeni.

Automātiskās izslēgšanās funkcija

Šim izstrādājumam ir automātiskās izslēgšanās funkcija, kas iestata izstrādājuma izslēgšanu (Off), ja tas netiek lietots 3 minūtes.

Izstrādājuma apturēšana

1. Atļaidiet pedziņas mēlīti vai pedziņas mēlītes bloķētāju.
2. Nospiediet ieslēgšanas/izslēgšanas (On/Off) slēdzi. (Att. 30)
3. Nospiediet atļaišanas pogas uz akumulatora un izņemiet akumulatoru. (Att. 31)

Apkope

Ievads



BRĪDINĀJUMS: Pirms veicat apkopes darbības, izlasiet nodaļu par drošību un pārliecinieties, vai saprotat to.

Tehniskās apkopes grafiks



BRĪDINĀJUMS: Pirms veikt tehnisko apkopi, izņemiet akumulatoru.

Zemāk ir redzams izstrādājuma apkopes darbību saraksts. Bez tehniskās apkopes grafikā norādītās tehniskās apkopes Husqvarna apkopes dienesta darbiniekiem regulāri jāveic izstrādājuma tehniskā apkope. Lai saņemtu informāciju par apkopes intervāliem, sazinieties ar Husqvarna apkopes dienestu.

Tehniskā apkope	Katru dienu	Reizi nedēļā	Reizi mēnesī
Tīriet izstrādājuma ārējās daļas ar sausu drānu. Neizmantojiet ūdeni.	X		
Pārliecinieties, ka ieslēgšanas/izslēgšanas poga darbojas pareizi un nav bojāta.	X		
Pārbaudiet, vai pedziņas mēlīte un pedziņas mēlītes bloķēšanas funkcija darbojas pareizi un atbilstoši drošības noteikumiem.	X		
Pārliecinieties, ka visas vadības ierīces darbojas un nav bojātas.	X		
Rokturiem jābūt sausiem un tīriem, bez smērvielas un eļļas traipiem.	X		
Pārliecinieties, vai skrūves un uzgriežņi ir stingri pievilkti.	X		
Pārbaudiet, vai darbojas akumulatora atbrīvošanas pogas, fiksējot akumulatoru izstrādājumā.	X		
Pārliecinieties, vai akumulators nav bojāts.	X		
Pārliecinieties, vai akumulators ir uzlādēts.	X		
Pārbaudiet, vai akumulatora lādētājs nav bojāts un darbojas pareizi.	X		
Pārbaudiet visus kabelus un savienojumus. Pārliecinieties, vai tie nav bojāti un netīri.		X	

Tehniskā apkope	Katru dienu	Reizi nedēļā	Reizi mēnesī
Pārbaudiet savienojumus starp akumulatoru un izstrādājumu. Pārbaudiet savienojumu starp akumulatoru un akumulatora lādētāju.			X

Produkta, akumulatora un akumulatora lādētāja tīrīšana

- Pēc lietošanas tīriet produktu ar sausu drānu.
- Tīriet akumulatoru un akumulatora lādētāju ar sausu drānu. Akumulatora vadotnes sliedēm ir vienmēr jābūt tīrām.
- Pārlicinieties, vai akumulatora un akumulatora lādētāja spaiļi ir tīras, pirms akumulators tiek ievietots akumulatora lādētājā vai produktā.

Divdaļīgs stienis

Ieeļļojiet dzenamās vārpstas galu ik pēc katrām 30 darba stundām. Pretējā gadījumā dzenamās vārpstas gali (dalīti savienojums) modeļos ar divdaļīgo stieni iestrēgs.
(Att. 32)

Problēmu novēršana

Tastatūra

LED indikatoru displejs	Iespējamās kļūmes	Iespējamā rīcība
Mirgo zaļš aktivizēšanas LED indikators	Akumulators izlādējies.	Uzlādējiet akumulatoru.
Mirgo sarkans kļūdu LED indikators	Pārslodze.	Griešanas ierīce ir iestrēgusi, izslēdziet izstrādājumu. Izņemiet akumulatoru. Notīriet griešanas ierīci no nevēlamiem materiāliem.
	Temperatūras nobīde.	Ļaujiet produktam atdzist.
	Spēka sprūds un aktivizēšanas pogas tiek nospiesti vienlaicīgi.	Atļaidiet spēka sprūdu, lai izstrādājums tiktu aktivizēts.
Izstrādājums nesāk darboties	Akumulatora savienotājos iekļūvuši netīrumi.	Notīriet akumulatora savienotājus, izmantojot saspīestu gaisu vai mīkstu birsti.
Kļūdas LED indikators deg ar sarkanu gaismu	Produktam ir nepieciešama apkope.	Sazinieties ar apkopes pārstāvi.

Pārvadāšana, glabāšana un utilizēšana

Pārvadāšana un uzglabāšana

- Komplektācijā iekļautie litiņa jona akumulatori atbilst bīstamo preču normatīvu prasībām.
- Ievērojiet īpašās prasības, kas norādītas uz iepakojuma un uzlīmēm attiecībā uz komerciālu transportēšanu, kā arī trešo pušu un pārsūtīšanas uzņēmumu prasības.
- Pirms nogādāt akumulatorus, sazinieties ar bīstamo materiālu pārvadāšanas speciālistu. Ievērojiet visus spēkā esošos konkrētās valsts likumus.

- Kad ievietojat akumulatoru iepakojumā, uz atklātajiem kontaktiem uzlieciet līmlenti. Stingri ievietojiet akumulatoru iepakojumā, lai nepieļautu izkustēšanos.
- Transportēšanas vai uzglabāšanas nolūkos izņemiet akumulatoru.
- Novietojiet akumulatoru un akumulatora lādētāju sausā vietā, kuru neietekmē mitrums un sals.
- Neglabājiet akumulatoru vietās, kur var rasties statiskā elektrība. Neglabājiet akumulatoru metāla kārbā.

- Novietojiet akumulatoru glabāšanai vietā, kur temperatūra ir diapazonā no 5 °C/41 °F līdz 25 °C/77 °F un ko neskar tieša saules gaisma.
- Novietojiet lādētāju glabāšanai vietā, kur temperatūra ir diapazonā no 5 °C/41 °F līdz 45 °C/113 °F un ko neskar tieša saules gaisma.
- Izmantojiet akumulatoru lādētāju tikai tad, ja apkārtējā temperatūra ir diapazonā no 5 °C/41 °F līdz 40 °C/104 °F.
- Pirms akumulatoru novietošanas uzglabāšanai, uzlādējiet to par 30–50%.
- Novietojiet akumulatora lādētāju slēgtā un sausā vietā.
- Uzglabāšanas laikā neturiet akumulatoru lādētāja tuvumā. Neļaujiet bērniem un citām nepiederošām personām pieskarties aprīkojumam. Glabājiet aprīkojumu slēdzamā vietā.
- Notīriet trimeri un veiciet pilnu apkopi, pirms novietojat trimeri ilgstošai uzglabāšanai.

- Izmantojiet transportēšanas aizsargu uz trimera, lai nepieļautu traumas vai trimera bojājumus transportēšanas vai glabāšanas laikā.
- Transportēšanas laikā droši nostipriniet trimeri.

Akumulatora, lādētāja un produkta likvidācija

Simboli uz izstrādājuma vai tā iepakojuma norāda, ka šis izstrādājums nav sadzīves atkritums. Utilizējiet to elektrisko un elektronisko ierīču pārstrādes uzņēmumā. Tādējādi tiek samazināta kaitīgā ietekme uz vidi un cilvēkiem.

Lai saņemtu papildinformāciju par izstrādājuma pārstrādi, sazinieties ar vietējām iestādēm, majsaimniecības atkritumu savākšanas pakalpojumu sniedzēju vai izplatītāju.

Tehniskie dati

Tehniskie dati

	325ILK
Motors	
Motora tips	BLDC (bezskuks) 36 V
Izvades (dzenamās) vārpstas apgriezību skaits, apgr./min	8400
Svars	
Svars (tikai piedziņas ierīce), kg	2,9
Trokšņa emisija ^{145, 146}	
Skaņas jaudas līmenis, izmērītais dB (A)	89–103
Skaņas jaudas līmenis, garantētais L _{WA} dB (A)	90–106
Trokšņa līmeņi ^{147, 148}	
Ekvivalents skaņas spiediena līmenis pie lietotāja auss, mērīts saskaņā ar standarta EN 62841-1 prasībām, dB (A):	78–93

¹⁴⁵ Atbilstoši EK direktīvai 2000/14/EK trokšņa emisija apkārtne ir mērīta kā akustiskā jauda (LWA). Novērotais ierīces skaņas jaudas līmenis ir izmērīts ar pievienotu oriģinālo griešanas ierīci, kas rada augstāko līmeni. Atšķirība starp garantēto un izmērīto skaņas jaudas līmeni ir tāda, ka garantētā skaņas intensitātes līmeņa mērījumu rezultāts ietver arī izkliedi mērījuma rezultātā un atšķirības dažādām tā paša modeļa ierīcēm atbilstoši direktīvai 2000/14/EK.

¹⁴⁶ Trokšņa līmeņa diapazons norāda mērījumos iegūtās vērtības – no zemākās līdz augstākajai.

¹⁴⁷ Sniegtajos datos par ierīces skaņas spiediena līmeni ir tipiska statistiskā 3 dB (A) izkliede (standartnovirze), mērot ar oriģinālo palīgierīci, kas rada augstāko trokšņa līmeni.

¹⁴⁸ Trokšņa līmeņa diapazons norāda mērījumos iegūtās vērtības – no zemākās līdz augstākajai.

	325iLK
Vibrācijas līmeņi ^{149, 150}	
Vibrācijas līmeņi pie rokturiem, mēriti atbilstoši standartam EN 62841-1, m/s ²	1,3-5,5/1,1-3,1

Apstiprinātie akumulatori

Akumulators	BLi200	40-B220X
Tips	Litija jonu	Litija jonu
Akumulatora ietilpība, Ah	5,2	6,0
Nominālais spriegums, V	36	36
Svars, kg (mārciņas)	1,3 (2,9)	1,4 (3,1)

Apstiprinātie akumulatoru lādētāji

Akumulatora lādētājs	QC330	40-C500X
Ievades spriegums, V	100-240	100-240
Frekvence, Hz	50-60	50-60
Jauda, W	330	500

Piederumi

Ierīces

Apstiprinātās ierīces	Palīgierīces numurs ¹⁵¹	Palīgierīču grupa ¹⁵²	Izmanto ar
Krūmgrieža palīgierīce BCA850	1.	1-10	325iLK
Lapu pūtēja palīgierīce BA101	11	11-20	325iLK
Zāliena malu apgriešanas palīgierīce ECA850	21	21-30	325iLK
Zāliena malu apgriešanas palīgierīce ESA850	22	21-30	325iLK
Dzīvžogu trimmera palīgierīce HA860	32	31-40	325iLK

¹⁴⁹ Sniegtajos datos par vibrācijas līmeni tipiska statistiskā izkliede ir 2 m/s² (standarta novirze). Vibrācijas līmeņa, akumulatora un sadegšanas produktu salīdzinājumam izmantojiet vibrācijas kalkulatoru. <https://www.husqvarna.com/uk/services-solutions/vibration-calculator/>.

¹⁵⁰ Trokšņa līmeņa diapazons norāda mērījumos iegūtās vērtības – no zemākās līdz augstākajai.

¹⁵¹ Šis ir konkrētās apstiprinātās palīgierīces numurs palīgierīču grupā.

¹⁵² Apstiprinātās palīgierīces tiek grupētas palīgierīču grupās. Katrai palīgierīču grupai ir līdzīgas funkcijas un uzlīmes.

Apstiprinātās ierīces	Palīgierīces numurs¹⁵¹	Palīgierīču grupa¹⁵²	Izmanto ar
Kāta zāga palīgierīce PAX730	41	41-50	325iLK
Kāta zāga palīgierīce PAX1100	42	41-50	325iLK
Zāga palīgierīce PA1100	43	41-50	325iLK
Tīrās slaucīšanas palīgierīce SR600-2	51	51-60	325iLK
Saru sukas palīgierīce BR600	52	51-60	325iLK
Skarifikatora palīgierīce DT600	53	51-60	325iLK
Kultivatora palīgierīce CA230	54	51-60	325iLK
Griešanas palīgierīce RA850	2.	1-10	525iLK

¹⁵¹ Šis ir konkrētās apstiprinātās palīgierīces numurs palīgierīču grupā.

¹⁵² Apstiprinātās palīgierīces tiek grupētas palīgierīču grupās. Katrai palīgierīču grupai ir līdzīgas funkcijas un uzlīmes.

Atbilstības deklarācija

ES atbilstības deklarācija

Mēs, **Husqvarna AB**, SE-561 82 Huskvarna, Zviedrija, tālr. +46-36-146500, ar pilnu atbildību apliecinām, ka šis izstrādājums:

Apraksts	Ar akumulatoru darbināms barošanas bloks (zāles trimmeris)
Zīmols	Husqvarna
Tips/modelis	325iLK (ierīce atsevišķi)
Identifikācija	Sākot ar sērijas numuriem 2024

pilnībā atbilst šādām ES direktīvām un noteikumiem:

Direktīva/regula	Apraksts
2006/42/EK	"par mehānismiem"
2014/30/EMS	"par elektromagnētisko savietojamību"
2011/65/ES	"par bīstamu vielu izmantošanas ierobežošanu"
2000/14/EK	"par trokšņa emisiju vidē"

un ir ievēroti zemāk norādītie saskaņotie standarti un/vai tehniskie dati: EN ISO 12100:2010, EN 62841-1:2015+AC:2015+A11:2022, EN 62841-4-2:2019+A11:2022+A1:2022, IEC 62841-4-4:2020+A1:2024, IEC 62841-4-6:2022, ISO 11449:1994, EN ISO 11680-1:2021, EN 61000-6-3:2007+A1:2011, EN 61000-6-1:2016, EN IEC 63000:2018.



SMP Svensk Maskinprovning AB, Box 4053, SE-904 03 Umeå, Sweden veica brīvprātīgu tipa pārbaudi saskaņā ar direktīvas 2006/42/EK IX pielikumu. Sertifikāta nr.: SEC/24/2593.

Pilnvarotā iestāde: Uzņēmums SMP Svensk Maskinprovning AB, ir arī pārbaudījis atbilstību Eiropas Padomes direktīvas 2000/14/EK V pielikumam. Sertifikāta nr.: 01/1610/013.

Informāciju par trokšņa emisiju skatiet šeit: *Tehniskie dati lpp. 271.*

Huskvarna, 2024-02-01

Stefan Holmberg, R&D Director, Technology Management, Husqvarna AB, Zviedrija

Atbildīgais par tehnisko dokumentāciju

TURINYS

Įvadas.....	275	Gedimai ir jų šalinimas.....	284
Sauga.....	276	Transportavimas, saugojimas ir utilizavimas.....	284
Surinkimas.....	281	Techniniai duomenys.....	285
Naudojimas.....	282	Priedai.....	286
Techninė priežiūra.....	283	Atitikties deklaracija.....	288

Įvadas

Numatytasis naudojimas

Šis maitinimo blokas veikia tik su patvirtintais priedais, kuriuos rasite *Priedai psl. 286*. Būtinai perskaitykite šį vadovą kartu su patvirtintu naudojimo vadovu.

Gaminio apžvalga

(Pav. 1)

1. Naudojimo instrukcija
2. 4 mm šešiakampis
3. Kilpinė rankena
4. Rankenėlė
5. Įjungimo / išjungimo mygtukas
6. Greičio režimo mygtukas
7. Maitinimo jungiklio fiksatorius
8. Naudotojo sąsaja
9. Maitinimo jungiklis
10. Akumulatoriaus įkroviklis (priedas)
11. Įkroviklio įkrovimo ir klaidų indikatorius
12. Baterijos nuėmimo mygtukai
13. Akumulatorius (priedas)
14. Įkrovos būsenos šviesos diodas
15. Įspėjamasis šviesos diodas
16. Akumulatoriaus indikacinis mygtukas
17. Mova priedui

(Pav. 4) Vardinė įtampa, V

(Pav. 5) Nuolatinė srovė.

(Pav. 6) Šis gaminys atitinka taikomas EB direktyvas.

(Pav. 7) Ant produkto ar ant jo pakuotės pateikti simboliai rodo, kad šio gaminio negalima išmesti kartu su buitinėmis atliekomis. Šį produktą reikia atiduoti į tinkamą perdirbimo įstaigą.

(Pav. 8) Įrenginys apsaugotas nuo vandens purslų.

yyyywwxxxx

Nominalių parametrų plokštelėje nurodytas serijos numeris. **yyyy** yra pagaminimo metai, **ww** yra pagaminimo savaitė, o **xxxx** yra eilės numeris.

Pasižymėkite: Skirtingų modelių akumulatoriai ir akumuliatorių įkrovikliai gali būti skirtingi.

Simboliai ant gaminio

(Pav. 2) **ĮSPĖJIMAS!** Šis gaminys gali būti pavojingas. Aplaidžiai ar netinkamai naudojant gali būti sunkiai ar net mirtinai sužeistas naudotojas ar kiti žmonės. Todėl ypač svarbu perskaityti ir suprasti šias naudojimosi instrukcijas. Prieš naudodami gaminį atidžiai perskaitykite naudojimo instrukciją ir įsitinkinkite, ar viską gerai supratote.

(Pav. 3) Prieš atlikdami techninę apžiūrą atjunkite akumuliatorių.

Pasižymėkite: Kiti ant gaminio pateikti simboliai (lipdukai) nurodo kitų komercinių teritorijų sertifikavimo reikalavimus.

Gamintojas

Husqvarna AB

Drottninggatan 2, SE-561 82 Huskvarna, Sweden, tel: +46-36-146500

Produkto pažeidimai

Mes neatsakome už mūsų gaminio sugadinimą, jei:

- gaminys netinkamai suremontuotas;
- gaminys suremontuotas naudojant kito gamintojo arba gamintojo nepatvirtintas dalis;
- gaminys turi kito gamintojo arba gamintojo nepatvirtintą priedą;

- gaminys suremontuotas ne patvirtintame techninės priežiūros centre arba jį suremontavo ne patvirtintas atstovas.

ir šalinimo vadovus, arba pasinaudosite Husqvarna savitarnos paslauga ir gaminio padėjėju (jei yra jūsų rinkoje). Norėdami gauti daugiau pagalbos, kreipkitės į Husqvarna techninės priežiūros atstavą.

Klientų aptarnavimo tarnyba

Norėdami gauti pagalbos dėl gaminio, žr. pagalbos skiltį, kurioje rasite instrukcijas, gedimų nustatymo

Sauga

Saugos ženklų reikšmės

[spėjimai, perspėjimai ir pastabos yra skirtos atkreipti dėmesį į ypač svarbias vadovo dalis.



PERSPĖJIMAS: Naudojamas, kai naudotojui ar šalia esantiems asmenims kyla mirtino arba sunkaus sužeidimo pavojus arba, jei nesilaikoma vadove pateiktų nurodymų.



PASTABA: Naudojamas, kai kyla pavojus sugadinti gaminį, kitas medžiagas arba padaryti žalą aplinkai, jei nesilaikoma vadove pateiktų nurodymų.

Pasižymėkite: Naudojamas papildomai informacijai apie konkrečią situaciją pateikti.

Bendrieji saugos įspėjimai naudojant elektros įrankius



PERSPĖJIMAS: Būtinai perskaitykite patvirtinto priedo vadovą kartu su šio maitinimo bloko vadovu.



PERSPĖJIMAS: Perskaitykite visus saugos nurodymus, instrukcijas, iliustracijas ir specifikacijas, pateikiamas su šiuo elektriniu įrankiu. Nesilaikydami toliau nurodytų instrukcijų galite sukelti gaisrą, gauti elektros smūgį ir (ar) rimtai susižeisti.

Pasižymėkite: Saugokite visus įspėjimus ir instrukcijas, nes jų gali prireikti vėliau. Terminas „elektros įrankis“ įspėjimuose reiškia iš elektros tinklo maitinamą (laidinį) elektros įrankį arba akumuliatoriumi maitinamą (belaidį) elektros įrankį.

Sauga darbo zonoje

- Darbo vieta turi būti švari ir gerai apšviesta. Netvarkinga ar neapšviesta darbo zona gali būti nelaimingo atsitikimo priežastis.

- Nenaudokite gaminio sprogiuose aplinkose, pavyzdžiui, ten, kur yra degių skysčių, dujų arba dulkių. Gaminiumi veikiant gali kilti kibirkščių, kurios gali uždegti dulkes ar garus.
- Naudodami gaminį užtikrinkite, kad vaikai ir kiti asmenys laikytųsi atokiau nuo gaminio. Jei kas nors atitrauks jūsų dėmesį, galite nesuvaldyti prietaiso.

Elektrosauga

- Gaminio kištukas turi atitikti elektros lizdą. Niekada nebandykite koku nors būdu perdaryti kištuko. Jei naudojate įžemintus gaminius, nenaudokite jokių kištukų adapterių. Jeigu kištukai nėra perdaryti ir atitinka elektros lizdus, elektros smūgio pavojus yra mažesnis.
- Nesilieskite prie elektros laidininkų paviršių, pavyzdžiui, vamzdžių, radiatorių, viryklių ir šaldytuvų. Jei kūnas taps elektros laidininku, iškyla elektros smūgio pavojus.
- Nelaikykite gaminį lietuje arba drėgnoje aplinkoje. Į gaminį patekęs vanduo padidina elektros smūgio pavojų.
- Tinkamai naudokite laidą. Niekada neneškite gaminio laikydami už laido, netraukite jo ir nebandykite traukdamai laidą ištraukti kištuką. Laikykite laidą atokiau nuo šilumos šaltinių, tepalų, aštrių briaunų ar judančių dalių. Dėl pažeistų arba susipainiojusių laidų padidėja elektros smūgio rizika.
- Jei gaminį naudojate lauke, naudokite lauke skirtą naudoti ilgintuvą. Naudojant lauke skirtą naudoti ilgintuvą, sumažėja elektros smūgio rizika.
- Jeigu gaminį būtina naudoti drėgnoje aplinkoje, naudokite liekamosios srovės įtaisų (LSI) apsaugotą maitinimo šaltinį. Naudojant LSI, sumažėja elektros smūgio pavojus.

Asmens sauga

- Naudodami gaminį būkite budrūs, stebėkite savo veiksmus ir vadovaukitės sveiku protu. Nenaudokite gaminio, jei esate pavargę, apsvaigę nuo narkotikų, alkoholio arba vaistų. Dirbant su gaminiumi netgi akimirksnis neatidomumas gali būti sunkaus sužeidimo priežastis.
- Naudokite asmenines apsaugines priemones. Visuomet užsidėkite akių apsaugos priemones. Dėl atitinkamomis sąlygomis naudojamų apsauginių priemonių, pavyzdžiui, respiratorių, neslystančių apsauginių batų, šalmo arba apsauginių ausinių, sumažėja sužeidimų rizika.

- **Saugokitės atsitiktinio įsijungimo. Prieš jungdami įrankį į elektros tinklą ir (arba) prie akumuliatoriaus, keldami ar nešdami, įsitinkinkite, kad gaminys yra išjungtas.** Jei nešite gaminį laikydami pirštą ant jungiklio ar prijungsite jį prie maitinimo šaltinio, kai jungiklis yra įjungimo padėtyje, gali įvykti nelaimingas atsitikimas.
- **Prieš įjungdami gaminį, pašalinkite iš jo visus reguliavimo raktus ar veržliarakčius.** Besisukančiose gaminio dalyse paliktas veržliaraktis arba raktas gali sužeisti.
- **Neužsimokite per plačiai. Visada tvirtai stovėkite ant kojų ir laikykite pusiausvyrą.** Tik taip galėsite suvaldyti elektrinį įrankį iškilus netikėtoms aplinkybėms.
- **Apsirenkite tinkamai. Niekada nedėvėkite palaidų drabužių ar papuošalų. Nelaikykite plaukų ir drabužių arti judančių dalių.** Palaidi drabužiai, papuošalai arba ilgai plaukai gali įkliūti į judančias dalis.
- **Jeigu naudojate įtaisus, skirtus dulkių surinkimo įrenginiams prijungti, įsitinkinkite, kad jie tinkamai prijungti ir naudojami.** Naudojant dulkių surinkimo įrenginius, sumažėja su dulkėmis susijusių pavojų rizika.
- **Būkite atidūs ir laikykitės elektriniam įrankiams galiojančių taisyklių net ir tada, kai elektrinį įrankį naudojate ne pirmą kartą.** Neatidžiai veikiant per sekundės dalis galima patirti sunkių sužalojimų.

Gaminio naudojimas ir priežiūra

- **Dirbdami su gaminio nenaudokite jėgos. Naudokite savo darbui tinkamą gaminį.** Su tinkamu elektriniu įrankiu dirbsite geriau ir saugiau srityje, kuriai jis buvo suprojektuotas.
 - **Jeigu paspaudus jungiklį gaminys neįsijungia arba neišsijungia, nenaudokite jo.** Gaminys, kurio nepavyksta valdyti jungikliu, kelia pavojų ir turi būti pataisytas.
 - **Prieš reguliuodami gaminį, keisdami priedus arba padėdami saugoti gaminį, ištraukite maitinimo laido kištuką iš elektros maitinimo šaltinio ir (arba) išimkite akumuliatorių bloką iš gaminio, jei įmanoma.** Šios atsargumo priemonės mažina pavojų, jog elektrinis įrankis įsijungs netyčia.
 - **Nenaudojamus gaminį laikykite vaikams nepasiekiamoje vietoje ir neleiskite naudoti gaminio asmenims, kurie nemoka juo naudotis arba nėra susipažinę su šiomis instrukcijomis.** Nekvalifikuotų naudotojų rankose gaminiai yra pavojingi.
 - **Pržiūrėkite gaminį ir jį priedus. Patikrinkite, ar sureguliuotos ir nestrūgą judančios dalys, ar nėra sulūžusių dalių ir kitų veiksnių, kurie gali daryti įtaką gaminio veikimui. Jei gaminys sugedęs, prieš naudodami jį sutaisykite.** Daug nelaimingų atsitikimų atsitinka dėl netinkamos elektrinių įrankių priežiūros.
 - **Pjovimo įrankiai turi būti pagaldėti ir švarūs.** Tinkamai prižiūrėti pjovimo gaminiai su aštriomis pjovimo briaunomis rečiau užstringa ir juos paprasčiau valdyti.
- **Gaminį, priedus, antgalius ir pan. naudokite taip, kaip nurodyta šiose instrukcijose, atsižvelgdami į darbo sąlygas ir atliekamą darbą.** Naudodami gaminį ne pagal paskirtį, galite sukelti pavojų.
 - **Rankenos ir laikomieji paviršiai visuomet turi būti sausi ir švarūs (neištepiti alyva ar tepalais).** Dėl slidžių rankenų ir suėmimo paviršių negalima saugiai naudoti ir valdyti gaminio netikėtose situacijose.

Akumuliatorių gaminį naudojimas ir priežiūra

- **Akumuliatorius kraukite tik gamintojo nurodytu įkrovikliu.** Įkroviklis, tinkamas vienam akumuliatorių blokui, gali sukelti gaisro pavojų, naudojamas kitam akumuliatorių blokui įkrauti.
- **Gaminius naudokite tik su jiems skirtais akumuliatorių blokais.** Naudojant bet kokį kitą akumuliatorių bloką kyla sužeidimo ir gaisro pavojus.
- **Nenaudojamą akumuliatorių bloką laikykite toliau nuo metalinių daiktų, galinčių sukurti jungtį tarp gnybtų, pavyzdžiui sąvaržėlių, monetų, raktų, vinių, varžtų ir kitų smulkių metalinių daiktų.** Trumpai sujungus akumuliatoriaus gnybtus gali kilti gaisras arba galite nudegti.
- **Esant nepalankioms sąlygoms, iš akumuliatoriaus gali imti tekėti skystis. Nelieskite jo. Ant odos netyčia patekusį skystį nuplaukite vandeniu. Skysčiai patekusį akumuliatoriaus ištekėjęs skystis gali sudirginti arba nudeginti.**
- **Nenaudokite akumuliatorių bloko arba gaminio, jei jis yra pažeistas arba modifikuotas.** Naudojant pažeistus ar modifikuotus akumuliatorius, jų veikimas gali būti neprognozuojamas ir jie gali sukelti gaisrą, sprogmą ar sužaloti.
- **Saugokite akumuliatorių bloką ir gaminį nuo ugnies arba aukštos temperatūros.** Sąlytis su ugnimi arba 130 °C (265 °F) temperatūra gali sukelti sprogmą.
- **Visada laikykitės visų įkrovimo nurodymų ir niekada nekraukite akumuliatorių bloko arba gaminio, jei aplinkos temperatūra nepatenka į eksploatavimo instrukcijoje nurodytą intervalą.** Netinkamai įkraunant arba esant nurodytame diapazone neišsitenkančiai temperatūrai gali būti pažeistas akumuliatorius ir padidėti gaisro tikimybė.

Techninė priežiūra

- **Taisykite savo elektrinį įrankį tikiai pas kvalifikuotą personalą ir tikiai su originaliomis atsarginėmis dalimis.** Tai užtikrina, kad elektrinis įrankis išliks saugus.
- **Niekada neapžiūrėkite pažeistų akumuliatorių blokų.** Akumuliatorių blokų techninę priežiūrą gali atlikti tik gamintojas arba įgalioti paslaugų teikėjai.

Kita pagrindinė saugos informacija

- **Išjunkite gaminį prieš perkeldami jį į kitą vietą.** Perduodami gaminį kitam asmeniui visuomet nuimkite akumuliatorių.

- Jokiu būdu nedėkite gaminio ant žemės, jei jis nėra išjungtas ir nenuimtas akumulatorius. Nepalikite gaminio be priežiūros, kai jis įjungtas.
- Išjungus gaminį plovimo prietaisais sustoja ne iš karto.
- Prieš naudodami gaminį po bet kokio sutrenkimo, patikrinkite, ar nėra nusidėvėjimo ar pažeidimo požymių ir, jei reikia, pataisykite.
- Jei naudojant gaminį į plovimo įtaisą patenka objektų ir jie stringa, sustabdykite ir išjunkite gaminį. Įsitikinkite, kad plovimo įtaisas visiškai sustojo. Prieš valydami, apžiūrėdami ar taisydami gaminį ir (arba) plovimo įtaisą, nuimkite akumulatorių.
- Prieš darbą atlikite produkto patikrą. Žr. *Gaminio apsauginės priemonės psl. 279* ir *Techninė priežiūra psl. 283*. Sugadinto gaminio nenaudokite. Atlikite šiame vadove nurodytas saugos patikras, techninės priežiūros ir aptarnavimo procedūras.
- Netvarkingas ar sugedęs plovimo įtaisas gali padidinti nelaimingų atsitikimų kilimo riziką.
- Patikrinkite, ar pavara švari ir joje nėra įtrūkių. Nuo pavaros šepetiu nuvalykite žoles ir lapus. Kai būtina, reikia mūvėti pirštines.
- Ventilacijos angas visuomet saugokite nuo šiukšlių.
- Patikrinkite, ar žoliapjovės galvutė gerai pritvirtinta prie žoliapjovės.
- Prieš įjungiant aparatą būtina sumontuoti visus dangčius, apsaugas ir rankenas.
- Patikrinkite, ar gaminys nepriekaištingos darbinės būklės. Patikrinkite, ar visos veržlės ir varžtai yra priveržti.
- Patikrinkite, ar žoliapjovės galvutė ir žoliapjovės apsauginis skydas nėra pažeisti ar įtrūkę. Pakeiskite žoliapjovės galvutę ar žoliapjovės apsauginį elementą, jei jie yra deformuoti ar įtrūkę. Ant plovimo įtaiso visada tvirtinkite tik rekomenduojamą apsauginį skydą. Žr. *Techniniai duomenys psl. 285*.
- Šis gaminys gali būti pavojingas, jei būsime neatsargūs arba gaminį naudosite netinkamai. Šis gaminys gali rimtai sužeisti arba prazūdyti operatorių arba aplinkinius.
- Šis prietaisas neskirtas naudoti asmenims (tarp jų ir vaikams) su ribotais fiziniais, jutimiais ar protiniais gebėjimais, neturinčiais patirties ar žinių, nebent asmuo, atsakingas už jų saugą, pateikė atitinkamas instrukcijas. Žiūrėkite, kad su prietaisu nežaistų vaikai.
- Niekada neleiskite vaikams naudoti įrenginį ar būti arti jo. Kadangi įrenginį užvesti labai paprasta, neprižiūrimi vaikai gali lengvai tai padaryti. Tai reiškia, kad iškyla pavojus sunkiai susižeisti. Todėl, kai neprižiūrite įrenginio, visuomet nuimkite bateriją.
- Niekomet neleiskite vaikams ar kitiems asmenims, neapmokytiems naudotis gaminiumi ir / arba akumulatoriumi, jais naudotis ar atlikti techninę priežiūrą.
- Įrangą laikykite rakinamoje patalpoje, kur jos nepasieks vaikai ir pašaliniai asmenys.
- Laikant ir gabenant visada privaloma naudoti gabenimo gaubtą.
- Rankas ir pėdas visuomet laikykite atokiau nuo plovimo srities, ypač įjungdami variklį.
- Išjungę gaminį, rankas ir pėdas laikykite atokiau nuo plovimo įtaiso, kol jis visiškai sustoja.
- Kai įrenginys įjungtas arba sukantis plovimo įtaisu patys nemėginkite ir kitiems asmenims neleiskite pašalinti nupjautos medžiagos, nes galima sunkiai susižeisti.
- Atminkite, kad Jūs, operatorius, atsakote už tai, kad nekiltų pavojus žmonėms ir jų nuosavybei.
- Be gamintojo leidimo jokiu atveju negalima keisti originalios gaminio konstrukcijos. Būtinai naudokite originalias atsargines dalis. Nesuderinti konstrukcijos pakeitimai bei nepritaikytos detalės gali sukelti rimtus kūno sužalojimus ir net mirtį. Žalai, patirtai dėl neįgalėtų priedų ar atsarginių dalių naudojimo, gali būti netaikoma garantija.
- Su gaminiumi galite naudoti tik rekomenduojamus plovimo įtaisus, kurie nurodyti skyriuje „Priedai“. Žr. *Priedai psl. 286*.
- Niekada nenaudokite gaminio, kurio konstrukcija yra pakeista ir neatitinka gamyklinių standartų.
- Niekada nenaudokite techniškai netvarkingo gaminio. Vykdykite šioje instrukcijoje nurodytas tikrinimo, techninės priežiūros ir remonto procedūras. Kai kuriuos techninės priežiūros darbus gali atlikti tik apmokyti ir kvalifikuoti specialistai. Žiūrėkite nurodymus, pateikiamus skyriuje „Techninė priežiūra“.
- Darbas blogu oru vargina ir dažnai padidina pavojaus riziką. Dėl didesnio pavojaus, nerekomenduojama naudoti įrenginio labai blogu oru, pavyzdžiui, kai yra didelis rūkas, smarkus lietus, stiprus vėjas, didelis šaltis, žaibo pavojus ir pan.
- Niekada nedirbkite stovėdami ant kopėčių, suoliuko ar kito netvirtai pakelto pagrindo.
- Išjungtus prietaisus laikykite patalpoje – nenaudojami prietaisai turi būti laikomi patalpoje.
- Nejmanoma numatyti visų situacijų, kurios gali iškilti. Visada elkitės atsargiai ir vadovaukitės sveiku protu. Neapsimkite atlikti darbų, kuriems nesate pakankamai kvalifikuotas. Jeigu perskaitę šią instrukciją vis dar nesate tikri, kaip naudoti įrenginį, pasitarkite su tai išmanančiu asmeniu.
- Užtikrinkite, kad dirbant prie jūsų arčiau nei 15 metrų (50 pėdų) neprisiartintų žmonės ar gyvūnai. Kai vienoje vietoje šiais įrenginiais dirba keli asmenys, tarp jų turi būti išlaikomas mažiausiai 15 metrų (50 pėdų) saugus atstumas. Priešingu atveju iškyla pavojus sunkiai susižeisti. Kam nors priartėjus, nedelsdami sustabdykite gaminį. Jokiu būdu nesisukinėkite su gaminiumi prieš tai neįsitikinę, kad už jūsų nieko nėra.
- Pasirūpinkite, kad žmonės, gyvūnai ar kiti objektai nepaveiktų jūsų gaminio valdymo arba neprisislėtų prie plovimo įtaiso arba ant jų nenukristų plovimo įtaiso sviesti palaidi objektai. Jokiu būdu nenaudokite

gaminio, jei nelaimės atveju nebūtų galimybės iškviešti pagalbą.

- Įsitikinkite, kad galite saugiai judėti ir stovėti. Apžiūrėkite, ar jūsų darbo vietoje nėra kliūčių (išsikišusių šaknų, akmenų, šakų, griovių ir pan.), kurios trukdytų, jei kartais reikėtų atlikti staigesnį judesį. Būkite labai atsargūs dirbdami ant šlaitų.
- Eikite, niekada nebėkite.
- Patikrinkite darbo zoną. Pašalinkite visus palaidus objektus, pavyzdžiui, akmenis, stiklo šukes, vinis, plieninę vielą, virvės galiukus ir pan., kurie gali būti išsviedžiami į orą arba apsvinoti aplink pjovimo įtaisą ar jo apsauginį skydą.
- Saugokitės šakų nuolaužų, kurios pjaunant gali būti išsviedžiamos. Nepjunkite per arti žemės vietose, kur gali būti išsviedžiami į orą akmenys ir kiti objektai.
- Pasirūpinkite, kad prie pjovimo įtaiso nesiliestų drabužiai ar kūno dalys, kai gaminys yra įjungtas. Gaminį laikykite žemiau juosmens.
- Saugokitės į orą išsviedžiamų objektų. Būtinai dėvėkite patvirtintus apsauginius akinius. Jokiu būdu nesilenkite virš pjovimo įtaiso apsauginio skydo. Į orą išsviedžiami akmenys, šiukšlės ir pan. gali pakliūti į akis ir sukelti apakimą arba sunkiai sužeisti.
- Jei dėvite apsaugines ausines, būkite atidūs, kad išgirstumėte galimus įspėjamuosius signalus ar šūksnius. Gaminiumi sustojus, būtinai nusiimkite apsaugines ausines.
- Jei pasireiškia nepageidaujamos vibracijos, išvyniokite papildomai lyno, taip nustatydami tinkamą jo ilgį, kad vibracijos liautųsi.
- Jeigu gaminys pradeda neįprastai vibruoti, sustabdykite jį ir nuimkite akumuliatorių.
- Pernelyg stipri ar ilgai trunkanti vibracija gali pakenkti asmeni, kurių silpna kraujo apytaka, kraujo apytakai ir nervų sistemai. Pajutę pernelyg stiprios ar ilgai trukusios vibracijos sukeltus simptomus, kreipkitės į gydytoją. Simptomai yra sustingimas, jutimo praradimas, dilgčiojimas, badymas, skausmas, silpnumas, odos spalvos ir būklės pakitimas. Šie simptomai dažniausiai pasireiškia pirštuose, plaštakose ir riešuose.
- Gaminį visada laikykite abiem rankomis. Gaminį laikykite dešinėje kūno pusėje.

Asmeninės apsauginės priemonės



PERSPĖJIMAS: Prieš naudodami gaminį, perskaitykite toliau esančius įspėjimus.

- Naudodami įrenginį būtinai dėvėkite patvirtintas asmenines apsaugines priemones. Asmeninės apsauginės priemonės nepadės visiškai išvengti pavojaus susižeisti, tačiau nelaimingo atsitikimo atveju mažiau nukentėsite. Leiskite prekybos atstovui padėti pasirinkti tinkamą įrangą.

- Naudokite apsauginį šalną ten, kur gali būti krentančių daiktų
- Naudokite pakankamomis garso slopinimo savybėmis pasižyminčius patvirtintus apsaugines ausines. Ilgalaiis triukšmo poveikis gali visam laikui pakenkti klausai.
- Naudokite patvirtintas akių apsaugos priemones. Jei naudojamas apsauginis skydelis, turi būti nešiojami ir patvirtinti apsauginiai akiniai. Patvirtinti apsauginiai akiniai atitinka JAV ANSI Z87.1 standartą arba ES EN 166 standartą.
- Naudokite apsauginį veido skydelį. Akims apsaugoti vien skydelio nepakanka.

(Pav. 9)

- Kai būtina, pvz., montuojant, apžiūrint arba valant pjovimo įrangą, užsimaukite pirštines.
- Avėkite tvirtus, neslystančius batus.
- Vilkėkite iš stiprios medžiagos pagamintus drabužius. Būtinai mėvėkite tvirtas, ilgas kelnes, vilkėkite aprangą ilgomis rankovėmis. Nevilkėkite laisvų drabužių, kurie gali užkibti už krūmokšnių ir šakų. Nenešiotkite papuošalų, trumpų kelnų ar atvirų batų ir nevaikščiokite basomis. Saugiai susisėkite plaukus aukščiau pečių.

(Pav. 10)

- Netoliese turi būti pirmosios pagalbos vaistinė.

(Pav. 11)

Gaminio apsauginės priemonės



PERSPĖJIMAS: Prieš naudodami gaminį, perskaitykite toliau esančius įspėjimus.

Šiame skyriuje aprašytos gaminio saugos priemonės, jų paskirtis ir patarimai, kaip atlikti patikros ir priežiūros darbus, siekiant užtikrinti tinkamą gaminio veikimą. Žr. instrukcijas skyriuje, *[vadas psl. 275]* kad sužinotumėte, kur jūsų gaminyje yra šios dalys.

Gaminio naudojimo laikas gali sutrumpėti, o nelaimingų atsitikimų pavojus gali padidėti, jei gaminys nebus tinkamai prižiūrimas, o techninė priežiūra ir (arba) remonto darbai nebus atliekami profesionaliai. Prireikus daugiau informacijos, prašome kreiptis į artimiausią techninės priežiūros atstovą.



PERSPĖJIMAS: Niekada nenaudokite gaminio, kurio apsauginės dalys yra pažeistos. Gaminio saugos įrangą turi būti tikrinama ir prižiūrima taip, kaip yra aprašyta šiame skyrelyje. Jei gaminys neatitinka bet kurio iš šių kontrolinių reikalavimų, kreipkitės į savo techninės priežiūros atstovą dėl gaminio remonto.



PASTABA: Įrenginio techninė priežiūra ir taisymas reikalauja specialaus pasirengimo. Tai ypač susiję su įrenginio saugos įranga. Jei jūsų įrenginys neatitiks nors vieno iš žemiau pateiktų kontrolės reikalavimų, kreipkitės į sertifikuotą remonto dirbtuvę. Įsigijus mūsų gaminį, garantuojame profesionalų aptarnavimą ir techninę priežiūrą. Jei įrenginio pardavėjas neatlieka aptarnavimo, paprašykite jo duoti artimiausios remonto dirbtuvės adresą.

- Prieš paleisdami gaminį įsitinkinkite, kad tinkamai surinkote gaubtą ir veleną.
- Jei su priedu pateikiami laikymo diržai, jie turi būti uždėti ant gaminio. Su laikymo diržais gaminį galima naudoti saugiai ir išvengti operatoriaus ar kitų asmenų sužeidimų.

Akumuliatorių naudojimo sauga



PERSPĖJIMAS: Prieš naudodami gaminį, perskaitykite toliau esančius įspėjimus.

- Naudokite tik „Husqvarna“ patvirtintus akumuliatorius. Žr. *Patvirtinti akumuliatoriai psl. 286*. Akumuliatoriai turi koduotą programinę įrangą.
- Naudokite Husqvarna patvirtintus akumuliatorius, kaip maitinimo šaltinį susijusiems Husqvarna gaminiams. Kad išvengtumėte sužeidimų, nenaudokite akumuliatoriaus kaip kitų gaminių maitinimo šaltinio.
- Elektros smūgio pavojus. Nejunkite akumuliatoriaus gnybtų prie raktų, monetų, atsuktuvų ar kitų metalinių daiktų. Galite sukelti akumuliatoriaus trumpąjį jungimą.
- Nenaudokite neįkraunamų akumuliatorių.
- Nekiškite objektų į akumuliatoriaus oro angas.
- Saugokite akumuliatorių nuo tiesioginių saulės spindulių, karščio ar atviros ugnies. Akumuliatorius gali sukelti terminius ir (arba) cheminius nudegimus.
- Saugokite akumuliatorių nuo lietaus ir drėgmės.
- Saugokite akumuliatorių nuo mikrobangų ir aukšto slėgio.
- Nebandykite akumuliatoriaus išmontuoti ar sulaužyti.
- Jei iš akumuliatoriaus teka skystis, saugokite nuo jo kūną ir akis. Jei palietėte skystį, gerai nuplaukite šią vietą vandeniu su muilu ir kreipkitės pagalbos į medikus. Jei skysčio patektų į akis, jų netrinkite, tačiau mažiausiai 15 minučių skalaukite vandeniu ir kreipkitės į gydytoją.
- Akumuliatorių naudokite nuo $-10\text{ }^{\circ}\text{C}$ ($14\text{ }^{\circ}\text{F}$) iki $40\text{ }^{\circ}\text{C}$ ($114\text{ }^{\circ}\text{F}$) temperatūroje.
- Nevalykite akumuliatoriaus ar įkroviklio vandeniu. Žr. *Įrenginio, akumuliatoriaus ir akumuliatorių įkroviklio valymas psl. 284*.
- Nenaudokite akumuliatoriaus, jei jis yra pažeistas arba tinkamai neveikia.
- Laikykite akumuliatorius atokiau nuo metalinių daiktų, pavyzdžiui, vinių, varžtų, juvelyrinių dirbinių.
- Saugokite akumuliatorių nuo vaikų.

Įkroviklio sauga



PERSPĖJIMAS: Prieš naudodami gaminį, perskaitykite toliau esančius įspėjimus.

Naudotojo sąsajos patikra

1. Paspauskite ir palaikykite mygtuką ON/OFF (įjungti / išjungti) (A). (Pav. 12)
 - a) Gaminys įjungtas, kai įsijungia ekranas (B).
 - b) Gaminys išjungtas, kai išsijungia ekranas.
2. Jeigu ekrane išsižiebia arba mirksi įspėjamasis indikatorius, žr. *Keypad (klaviatūra) psl. 284*.

Maitinimo jungiklio fiksatoriaus patikra

Maitinimo jungiklio užraktas sukonstruotas taip, kad apsaugotų nuo netyčinio įjungimo. Nuspaudus maitinimo jungiklio fiksatorių pirmyn (A) ir prispaudus maitinimo jungiklio fiksatorių prie rankenos (B) maitinimo jungiklis (C) atleidžiamas. Atleidus rankeną maitinimo jungiklis ir jo fiksatorius grįžta į pradinę padėtį. Ši judesį užtikrina trys atskiros spyruoklės. (Pav. 13)

1. Įsitinkinkite, kad maitinimo jungiklis yra užfiksuotas, kai fiksatorius yra savo pradinėje padėtyje. (Pav. 14)
2. Paspauskite maitinimo jungiklio fiksatorių pirmyn (A) ir žemyn. Laikykite maitinimo jungiklio fiksatorių prispaudę prie rankenos (B) ir patikrinkite, ar atleidus jis grįžta į savo pradinę padėtį. (Pav. 15)
3. Patikrinkite, ar maitinimo jungiklis ir jo fiksatorius laisvai juda, o grįžimo spyruoklės funkcionuoja tinkamai. (Pav. 16)
4. Paspauskite ir palaikykite mygtuką ON/OFF (įjungti / išjungti), kad įjungtumėte gaminį.
5. Iki galo nuspauskite maitinimo jungiklį, kad gaminys veiktų visu greičiu.
6. Atleiskite maitinimo jungiklį ir įsitinkinkite, kad įjovimo įtaisas sustoja ir daugiau nesisuka.

Surinkimo saugos instrukcijos



PERSPĖJIMAS: Perskaitykite maitinimo bloko vadovą kartu su patvirtinto priedo vadovu.

- Prieš surinkdami gaminį nuimkite akumuliatorių.
- Naudokite patvirtintas apsaugines pirštines.
- Naudojant pažeistą arba netinkamą apsaugą galima susižeisti. Nenaudokite įjovimo įtaiso be patvirtinto apsaugo.

- Nesilaikant saugos instrukcijų, kyla elektros smūgio arba trumpojo jungimo rizika.
- Naudokite tik kartu su gaminiu pateiktą akumuliatoriaus įkroviklį. Naudokite tik Husqvarna patvirtintus akumuliatorių įkroviklius, kad įkrautumėte Husqvarna patvirtintus akumuliatorius. Instrukcijas žr. *Techniniai duomenys psl. 285*.
- Nebandykite išmontuoti akumuliatoriaus įkroviklio.
- Nenaudokite akumuliatoriaus įkroviklio, jei jis yra pažeistas arba tinkamai neveikia.
- Nekeiskite akumuliatoriaus įkroviklio už maitinimo laido. Norėdami atjungti akumuliatoriaus įkroviklį nuo elektros lizdo, traukite už kištuko. Netraukite už elektros laido.
- Visus kabelius ir jungiamuosius laidus laikykite toliau nuo vandens, alyvos ir aštrių briaunų. Būkite atidūs, kad kabelio neprispaustų objektai, pvz., durys, tvoros ar pan.
- Nenaudokite akumuliatoriaus įkroviklio šalia degių arba koroziją sukeliančių medžiagų. Įsitinkinkite, kad akumuliatoriaus įkroviklis neuždengtas. Pastebėję dūmus ar liepsną, ištraukite akumuliatoriaus įkroviklio kištuką.
- Įkraukite akumuliatorių tik gerai vėdinamoje patalpoje, saugodami nuo saulės spindulių. Nekraukite akumuliatoriaus lauke. Nekraukite akumuliatoriaus drėgnomis sąlygomis.
- Akumuliatorių įkroviklį naudokite nuo 5 °C (41 °F) iki 40 °C (104 °F) temperatūroje. Įkroviklį naudokite gerai vėdinamoje, sausoje ir nedulkėtoje aplinkoje.
- Neikiškite objektų į įkroviklio aušinimo angas.
- Neprijunkite akumuliatorių įkroviklio gnybtų prie metalinių daiktų, nes taip sukelsite akumuliatorių įkroviklio trumpąjį jungimą.
- Naudokite patvirtintus ir nepažeistus elektros tinklo lizdus. Įsitinkinkite, kad akumuliatoriaus įkroviklio

laidas yra nepažeistas. Jei naudojami jungiamieji kabeliai, įsitinkinkite, kad jie nepažeisti.

Priežiūros saugos instrukcijos



PERSPĖJIMAS: Prieš atlikdami gaminio techninę priežiūrą, perskaitykite toliau esančius įspėjimus.

- Prieš atlikdami techninę priežiūrą, kitą patikrą ar montuodami įrenginį, išimkite akumuliatorių.
- Operatorius gali atlikti tik tokius priežiūros ir techninės priežiūros darbus, kurie aprašyti šiame operatoriaus vadove. Dėl didesnių techninės priežiūros ir aptarnavimo darbų kreipkitės į techninės priežiūros atstovą.
- Nevalykite akumuliatoriaus ar įkroviklio vandeniu. Stiprus ploviklis gali sugadinti įrenginį.
- Neatliekant techninės priežiūros trumpėja įrenginio naudojimo laikas ir didėja nelaimingų atsitikimų pavojus.
- Visiems techninės priežiūros ir remonto darbams atlikti būtini specialūs mokymai, ypač atliekant su sauga susijusios įrangos priežiūrą. Jeigu atlikus techninę priežiūrą patvirtinti ne visi šiame naudotojo vadove nurodyti punktai, kreipkitės į techninės priežiūros atstovą. Garantuojame, kad jis suteiks profesionalią priežiūrą ir atliks gaminio techninės priežiūros darbus.
- Naudokite tik originalias atsargines dalis.
- Naudodami pjovimo įtaisą, visada mūvėkite storas darbinės pirštines. Peiliai yra labai aštrūs, todėl jais lengva susižeisti.

Surinkimas

Kilpinės rankenos tvirtinimas

1. Pritvirtinkite kilpinę rankeną veleno tarp rodyklių. Neuždenkite etiketės kilpine rankena arba pakabos žiedu. (Pav. 17)
2. Įstatykite tarpiklį į kilpinę rankeną.
3. Prisukite varžlę, rankenėlę ir varžtą, nepriveržkite per stipriai.
4. Nustatykite patogią gaminio padėtį.
5. Priveržkite varžtą.

Dviejų dalių veleno surinkimas

1. Pasukite rankenėlę, kad atlaisvintumėte movą. (Pav. 18)
2. Sulygiuokite žymą (A) su rodykle (B) ant movos. (Pav. 19)
3. Įstatykite veleną į movą, kad jis spragtelėtų savo vietoje. (Pav. 20)

4. Iki galo priveržkite tvirtinimo rankenėlę. (Pav. 21)

Dviejų dalių veleno išrinkimas

1. Pasukite rankenėlę 3 kartus, kad atlaisvintumėte movą. (Pav. 22)
2. Paspauskite ir laikykite nuspaudę mygtuką (C).
3. Tvirtai laikykite už veleno galo, prie kurio prijungtas variklis.
4. Ištraukite priedą iš movos. (Pav. 23)

Tvirtinimo kilpos įrengimas, jei taikoma

1. Tvirtinimo kilpą tvirtinkite tarp rodyklių ant galinės rankenos ir kilpinės rankenos. (Pav. 24)

Pasižymėkite: Neuždenkite kilpine rankena lipduko.

2. Paremguokite žiedą, kad gaminys būtų subalansuotas ir jį būtų lengva naudoti.

Naudojimas

Įvadas



PERSPĖJIMAS: Prieš naudodami gaminį perskaitykite ir supraskite skyrių apie saugą.

Husqvarna Connect

Husqvarna Connect yra nemokama programėlė, skirta mobiliesiems įrenginiams. Programėlė Husqvarna Connect suteikia Husqvarna gaminiui papildomas funkcijas.

- Papildoma informacija apie gaminį.
- Informacija ir patarimai apie gaminio dalis ir priežiūrą.

Norėdami pradėti naudoti Husqvarna Connect

1. Atsisiųskite „Husqvarna Connect“ programėlę į mobilųjį įrenginį.
2. Užsiregistruokite „Husqvarna Connect“ programėlėje.
3. Norėdami prisijungti ir užregistruoti gaminį, vadovaukitės programėlėje Husqvarna Connect pateiktomis instrukcijomis.

Pasižymėkite: Programėlė Husqvarna Connect nėra prieinama visose programėlių parduotuvėse. Dėl išsamesnės informacijos kreipkitės į savo techninės priežiūros atstovą.

Akumulatoriaus prijungimas prie įrenginio



PERSPĖJIMAS: Gaminyje naudokite tik originalius Husqvarna akumulatorius.

1. Įsitinkinkite, kad akumulatorius visiškai įkrautas.
2. Įstatykite akumulatorių į gaminio akumulatoriaus laikiklį. Akumulatorius bus užfiksuotas tada, kai išgirsite spragtelėjimą. (Pav. 25)



PASTABA: Jei akumulatorius lengvai neįsisto į akumulatoriaus laikiklį – akumulatorius uždėtas netinkamai. Antraip galima sugadinti gaminį.

3. Įsitinkinkite, kad akumulatorius įstatytas tinkamai.

Akumulatoriaus įkrovimas

Pasižymėkite: Jeigu naudojate įrenginį pirmą kartą, įkraukite akumulatorių. Naujas akumulatorius įkrautas tik 30 %.

1. Įsitinkinkite, kad akumulatorius sausas.
2. Akumulatorių įstatykite į įkroviklį. (Pav. 26)

Pasižymėkite: Skirtingų modelių akumulatoriai ir akumulatorių įkrovikliai gali būti skirtingi, tačiau procedūra išlieka tokia pati.

3. Įsitinkinkite, kad įjungtas žalias akumulatorių įkroviklio indikatorius. Tai reiškia, kad akumulatorius prijungtas prie akumulatorių įkroviklio.
4. Įsižiebus visiems akumulatoriaus LED indikatoriams, akumulatorius yra visiškai įkrautas. (Pav. 27)
5. Norėdami atjungti akumulatoriaus įkroviklį nuo elektros lizdo, traukite už kištuko. Netraukite už kabelio.
6. Iš įkroviklio išimkite akumulatorių.

Pasižymėkite: Daugiau informacijos žr. akumulatoriaus ir akumulatorių įkroviklio instrukcijose.

Darbinė padėtis

- Laikykite įrenginį abiem rankomis.
- Gaminį laikykite dešinėje kūno pusėje.
- Pjovimo įtaisą laikykite žemiau juosmens.
- Saugokitės įkaitusių paviršių.
- Saugokitės pjovimo įtaiso.

Veiksmai prieš naudojant įrenginį

- Patikrinkite darbo zoną, kad išsiaiškintumėte reljefo pobūdį, grunto nuolydį ir galimas kliūtis, pavyzdžiui, akmenis, šakas ir griovius.
- Atlikite įrenginio nuodugnią patikrą.
- Atlikite šioje instrukcijoje aprašytas saugos patikras, priežiūros ir techninės priežiūros procedūras.
- Pasirūpinkite, kad visi dangčiai, apsaugai, rankenos ir priedai būtų tinkamai pritvirtinti ir nesugadinti.

Gaminio paleidimas

1. Paspauskite ir palaikykite mygtuką ON/OFF (įjungti / išjungti), kol įsižiebs žalias LED indikatorius. (Pav. 28)
2. Maitinimo jungikliu valdykite greitį.

Didžiausio greičio ribojimas režimo mygtuku

Gaminys turi režimo mygtuką. Naudodamas režimo mygtuką operatorius gali riboti didžiausią greitį. Režimo mygtukas valdo 3 greičio lygius. Kuo žemesnis greičio lygis, tuo ilgiau gaminys veiks. Režimo mygtukas valdo 3 greičio lygius. Kuo žemesnis greičio lygis, tuo ilgiau gaminys veiks. Naudokite 1 ir 2 lygius, kai nereikalingas didžiausias greitis / visa galia. Jei darbo sąlygoms būtinas didžiausias greitis / didžiausia galia, naudokite 3 lygį. Nenaudokite aukštesnio lygio, nei būtinas darbai.

1. Paspauskite režimo mygtuką, kad nustatytumėte didžiausio greičio ribą. Užsidega baltas šviesos diodas, kuris rodo, kad funkcija įjungta. (Pav. 29)

2. Paspauskite režimo mygtuką dar kartą, kad pasirinktumėte kitą greičio lygį.

Automatinio išjungimo funkcija

Gaminyje yra automatinio išjungimo funkcija, kuri išjungia gaminį, jei nesinaudojate juo 3 minutes.

Gaminio sustabdymas

1. Atleiskite maitinimo jungiklį arba maitinimo jungiklio užraktą.
2. Nuspauskite įjungimo / išjungimo mygtuką. (Pav. 30)
3. Išimkite akumuliatorių paspausdami ant jo esančių atlaisvinimo mygtukus. (Pav. 31)

Techninė priežiūra

Įvadas



PERSPĖJIMAS: Prieš atlikdami priežiūros darbus perskaitykite ir supraskite saugos skyriaus informaciją.

Toliau pateiktas būtinų gaminio priežiūros darbų sąrašas. Be techninės priežiūros grafike nurodytų techninės priežiūros darbų, leiskite „Husqvarna“ specialistui reguliariai atlikti gaminio techninę priežiūrą. Jei reikia informacijos apie techninės priežiūros intervalus, pasikalbėkite su „Husqvarna“ specialistu.

Techninės priežiūros grafikas



PERSPĖJIMAS: Prieš atlikdami priežiūros darbus išimkite akumuliatorių.

Techninė priežiūra	Kasdien	Kas savaitę	Kas mėnesį
Nuvalykite išorines gaminio dalis sausa šluoste. Nenaudokite vandens.	X		
Patikrinkite, ar maitinimo mygtukas veikia tinkamai ir nėra pažeistas.	X		
Patikrinkite, ar maitinimo jungiklio ir paties mygtuko fiksavimo funkcija veikia saugiai.	X		
Įsitinkite, kad visi valdikliai veikia ir nėra pažeisti.	X		
Rankenos visuomet turi būti sausos, švarios ir neišteptos alyva ar tepalais.	X		
Patikrinkite, ar gerai priveržtos varžlės ir varžtai.	X		
Įsitinkite, kad tinkamai veikia akumuliatoriaus atlaisvinimo mygtukai ir akumuliatorių fiksuojamas prie gaminio.	X		
Įsitinkite, kad akumuliatorius nepažeistas.	X		
Patikrinkite, ar akumuliatorius įkrautas.	X		
Patikrinkite, ar akumuliatoriaus įkroviklis nepažeistas ir veikia tinkamai.	X		
Patikrinkite visus kabelius, movas ir jungtis. Įsitinkite, kad jie nepažeisti ir ant jų nėra purvo.		X	
Patikrinkite jungtis tarp akumuliatoriaus ir gaminio. Patikrinkite jungtį tarp akumuliatoriaus ir akumuliatoriaus įkroviklio.			X

Įrenginio, akumulatoriaus ir akumuliatorių įkroviklio valymas

1. Baigę darbą nuvalykite įrenginį sausa šluoste.
2. Nuvalykite akumuliatorių ir akumuliatorių įkroviklį sausa šluoste. Akumulatoriaus uždėjimo takeliai turi būti švarūs.
3. Prieš įstatydami akumuliatorių į akumuliatorių įkroviklį ar įrenginį, įsitikinkite, kad akumulatoriaus kontaktai ir akumuliatorių įkroviklio kontaktai yra švarūs.

Dviejų dalių velenas

Sutepkite varančiojo veleno galą kas 30 darbo valandų. Nereguliariai tepant dalijamų modelių stovų varančiųjų ašių galus (šlicinis sujungimas) jie gali pradėti strigti. (Pav. 32)

Gedimai ir jų šalinimas

Keypad (klaviatūra)

LED ekranas	Galmi gedimai	Galmi veiksmai
Blykčioja žalios spalvos šviesos diodas	Nepakankama baterijos įtampa.	Įkraukite akumuliatorių.
Mirksi raudonas LED indikatorius.	Perkrova.	Pjovimo įtaisas yra užsikirtęs. Išjunkite gaminį. Išimkite akumuliatorių. Pašalinkite nepageidaujamas medžiagas nuo pjovimo įtaiso.
	Temperatūros svyravimai.	Leiskite įrenginiui atvėsti.
	Maitinimo jungiklis ir įjungimo mygtukas spaudžiami vienu metu.	Atleiskite maitinimo jungiklį ir įrenginys bus suaktyvintas.
Nepavyksta užvesti gaminio	Akumulatoriaus jungtyse yra purvo.	Išvalykite akumulatoriaus jungtis suspaustu oru ar minkštu šepetėliu.
Klaidos diodas dega raudona	Būtina atlikti įrenginio techninę priežiūrą.	Kreipkitės į techninės priežiūros atstovą.

Transportavimas, saugojimas ir utilizavimas

Gabenimas ir laikymas

- Pateikiamam ličio jonų akumuliatoriui taikomos pavojaingų krovinių gabenimo taisyklės.
- Laikykitės specialių komercinių krovinių gabenimui, įskaitant trečiųjų šalių ar tarpininko transporto priemonėmis, taikomų reikalavimų dėl pakavimo ir ženklavimo.
- Pasitarkite su pavojaingų medžiagų gabenimo specialistu prieš siųsdami įrenginį. Laikykitės visų taikomų nacionalinių reikalavimų.
- Pakuodami akumuliatorių uždėkite juostą ant atvirų kontaktų. Tvirtai supakuokite akumuliatorių, kad jis nejudėtų.
- Sandėliavimo ar transportavimo metu atjunkite akumuliatorių.
- Akumuliatorių ir akumuliatorių įkroviklį laikykite sausoje, drėgnoje ir teigiamos temperatūros vietoje.
- Nelaikykite akumulatoriaus tokioje vietoje, kur gali susidaryti statiniai krūviai. Nelaikykite akumulatoriaus metalinėje dėžutėje.
- Laikykite akumuliatorių vietoje, kurios temperatūra nuo 5 °C / 41 °F iki 25 °C / 77 °F, saugokite nuo tiesioginių saulės spindulių.
- Laikykite akumuliatorių įkroviklį vietoje, kurios temperatūra nuo 5 °C / 41 °F iki 45 °C / 113 °F, saugokite nuo tiesioginių saulės spindulių.
- Akumulatoriaus įkroviklį naudokite, tik kai aplinkos temperatūra yra 5–40 °C / 41–104 °F.
- Prieš saugodami ilgesnį laiką pasirūpinkite, kad akumulatorius būtų įkrautas 30–50 %.

- Akumuliatorių įkroviklį laikykite uždaroje ir sausoje patalpoje.
- Saugodami išimkite akumuliatorių iš akumuliatoriaus įkroviklio. Neleiskite vaikams ar kitiems nepatvirtintiems asmenims liesti įrenginio. Įrenginį laikykite užrakintoje vietoje.
- Prieš saugodami gaminį ilgesnį laiką, išvalykite jį ir atlikite visus techninės priežiūros darbus.
- Transportuodami ar sandėliuodami įrenginį naudokite įrenginio transportavimo apsaugą, kad išvengtumėte sužalojimų ar produkto sugadinimo.
- Gabendami saugiai pritvirtinkite įrenginį.

Akumuliatoriaus, akumuliatorių įkroviklio ir įrenginio šalinimas

Ant gaminio ar ant jo pakuotės pateikti simboliai rodo, kad šio gaminio negalima išmesti kartu su buitinėmis atliekomis. Nuvežkite jį į elektros ir elektronikos įrenginių perdirbimo punktą. Taip saugosite nuo taršos aplinką ir žmones.

Jeigu reikia papildomos informacijos, kaip perdirbti jūsų gaminį, kreipkitės į vietines institucijas, buitinių atliekų surinkimo tarnybą arba pardavimo atstovą.

Techniniai duomenys

Techniniai duomenys

	325iLK
Variklis	
Variklio tipas	BLDC (be šepetėlių) 36 V
Galios atidavimo veleno greitis, aps./min.	8400
Svoris	
Svoris (tik maitinimo blokas), kg	2,9
Skleidžiamas triukšmas ^{153, 154}	
Garso galios lygis, išmatuotas dB (A)	89–103
Garso galios lygis, garantuojamas L _{WA} dB (A)	90–106
Triukšmo lygiai ^{155, 156}	
Ekvivalentinis garso slėgis ties operatoriaus ausimis, išmatuotas pagal EN 62841-1, dB (A):	78–93
Vibracijos lygis ^{157, 158}	
Vibracijos lygis rankenose, išmatuotas pagal EN 62841-1, m/s ²	1,3–5,5/1,1–3,1

¹⁵³ Triukšmas, skleidžiamas į aplinką, išmatuotas kaip garso galia (LWA) pagal EB direktyvą 2000/14/EB. Pateiktas įrenginio garso stiprumo lygis buvo išmatuotas naudojant didžiausią garsą sukeltą originalų pjovimo įtaisą. Skirtumas tarp garantuojamos ir išmatuotos garso galios yra tas, kad pagal Direktyvą 2000/14/EB garantuojama garso galia apima ir matavimo rezultatų sklaidą bei nukrypimus tarp skirtingų to pačio modelio įrenginių.

¹⁵⁴ Triukšmo diapazonas nurodo išmatuotos reikšmės diapazoną nuo mažiausios iki didžiausios reikšmės.

¹⁵⁵ Pateiktuose duomenyse apie įrenginio garso slėgio lygį yra 3 dB (A) tipiška statistinė sklaida (standartinis nuokrypis). Ji buvo išmatuota naudojant originalų įtaisą, kuris generuoja aukščiausią lygį.

¹⁵⁶ Triukšmo diapazonas nurodo išmatuotos reikšmės diapazoną nuo mažiausios iki didžiausios reikšmės.

¹⁵⁷ Pateiktuose vibracijos lygio duomenyse yra 2 m/s² tipiška statistinė sklaida (standartinis nuokrypis). Siekiant palyginti vibracijos lygius, akumuliatoriniams ir vidaus degimo gaminiams naudojamas vibracijos skaičiuotuvai. <https://www.husqvarna.com/uk/services-solutions/vibration-calculator/>.

¹⁵⁸ Triukšmo diapazonas nurodo išmatuotos reikšmės diapazoną nuo mažiausios iki didžiausios reikšmės.

Patvirtinti akumulatoriai

Akumulatorius	BLi200	40-B220X
Tipas	Ličio jonų	Ličio jonų
Akumulatoriaus talpa, Ah	5,2	6,0
Nominali įtampa, V	36	36
Svoris, kg (svar.)	1,3 (2,9)	1,4 (3,1)

Patvirtinti akumuliatorių įkrovikliai

Akumulatoriaus įkroviklis	QC330	40-C500X
Įvado įtampa, V	100–240	100–240
Dažnis, Hz	50–60	50–60
Galia, W	330	500

Priedai

Priedai

Patvirtinti priedai	Priedo numeris ¹⁵⁹	Priedų grupė ¹⁶⁰	Naudojami
Krūmapjovės priedas BCA850	1	1–10	325iLK
Pūstuvo priedas BA101	11	11–20	325iLK
Pakraščių lyginimo įrenginio priedas ECA850	21	21–30	325iLK
Pakraščių lyginimo įrenginio priedas ESA850	22	21–30	325iLK
Priedas gyvatvorių žirkliams HA860	32	31–40	325iLK
Aukštąpjavės priedas PAX730	41	41–50	325iLK
Aukštąpjavės priedas PAX1100	42	41–50	325iLK
Pjūklo priedas PA1100	43	41–50	325iLK
Šepečio priedas SR600-2	51	51–60	325iLK
Šepečio su šeriais priedas BR600	52	51–60	325iLK
Skarifikatoriaus priedas DT600	53	51–60	325iLK
Priedas kultivatoriams CA230	54	51–60	325iLK

¹⁵⁹ Tai konkretus patvirtinto priedo numeris priedų grupėje.

¹⁶⁰ Patvirtinti priedai suskirstyti į priedų grupes. Kiekviena priedų grupė pasižymi vienodomis savybėmis ir lipdukais.

Patvirtinti priedai	Priedo numeris ¹⁵⁹	Priedų grupė ¹⁶⁰	Naudojami
Žoliapjovių priedas RA850	2	1–10	525iLK

¹⁵⁹ Tai konkretus patvirtinto priedo numeris priedų grupėje.

¹⁶⁰ Patvirtinti priedai suskirstyti į priedų grupes. Kiekviena priedų grupė pasižymi vienodomis savybėmis ir lipdukais.

Atitikties deklaracija

ES atitikties deklaracija

Mes, **Husqvarna AB**, SE-561 82 Huskvarna, Švedija, tel. +46-36-146500, atsakingai patvirtiname, kad gaminy:

Aprašymas	Akumulatorinis maitinimo blokas (žoliapjovė)
Gamintojas	Husqvarna
Tipas / modelis	325iLK (tik įrenginys)
Identifikacijos numeris	Serijos numeriai nuo šios datos: 2024 ir vėlesni

visiškai atitinka šias ES direktyvas ir reglamentus:

Direktyva / reglamentas	Aprašymas
2006/42/EB	„dėl mašinų“
2014/30/EMS	dėl elektromagnetinio suderinamumo
2011/65/ES	„dėl tam tikrų pavojingų medžiagų naudojimo elektros ir elektroninėje įrangoje apribojimo“
2000/14/EB	dėl triukšmo lauke

ir kad laikomasi šių standartų ir (arba) techninių specifikacijų: EN ISO 12100:2010, EN 62841-1:2015+AC:2015+A11:2022, EN 62841-4-2:2019+A11:2022+A1:2022, IEC 62841-4-4:2020+A1:2024, IEC 62841-4-6:2022, ISO 11449:1994, EN ISO 11680-1:2021, EN 61000-6-3:2007+A1:2011, EN 61000-6-1:2016, EN IEC 63000:2018.

Atsakingas už techninę dokumentaciją



SMP Svensk Maskinprovning AB, Box 4053, SE-904 03 Umeå, Sweden atliko savanorišką tipo patikrinimą pagal 2006/42/EB IX priedo reikalavimus. Sertifikato Nr.: SEC/24/2593.

Notifikuotoji įstaiga: SMP Svensk Maskinprovning AB, taip pat patikrino V priedo atitiktį Tarybos direktyvos 2000/14/EC reikalavimams. Sertifikato Nr.: 01/1610/013.

Daugiau informacijos apie triukšmo emisiją žr. *Techniniai duomenys psl. 285.*

Huskvarna, 2024-02-01

P. Stefan Holmberg, mokslinių tyrimų ir plėtros direktorius, technologijų vadyba, „Husqvarna AB“, Švedija

Obsah

Úvod.....	289	Riešenie problémov.....	298
Bezpečnosť.....	290	Preprava, skladovanie a likvidácia.....	298
Montáž.....	295	Technické údaje.....	299
Prevádzka.....	296	Príslušenstvo.....	300
Údržba.....	297	Vyhlásenie o zhode.....	302

Úvod

Plánované použitie

Toto elektrické zariadenie je základné zariadenie, ktoré funguje iba spolu so schváleným príslušenstvom

Prehľad výrobku

(Obr. 1)

1. Návod na obsluhu
2. 4 mm šesťhranný kľúč
3. Oblúčková rukoväť
4. Ovládací gombík
5. Vypínač
6. Tlačidlo režimu otáčok
7. Blokovanie páčky vypínača
8. Používateľské rozhranie
9. Vypínač
10. Nabíjačka akumulátora (príslušenstvo)
11. Indikátor nabíjania a chýb na nabíjačke
12. Tlačidlá uvoľnenia akumulátora
13. Akumulátor (príslušenstvo)
14. Indikátor LED stavu nabitia
15. Výstražný indikátor LED
16. Tlačidlo indikátora stavu akumulátora
17. Prípojka pre nadstavce

Poznámka: Akumulátor a nabíjačka môžu pri rôznych modeloch vyzerat' inak.

Symbole na výrobku

(Obr. 2) **UPOZORNENIE!** Tento výrobok môže byť nebezpečný! Ak sa používa neopatrne alebo nesprávne, môže spôsobiť vážne až smrteľné zranenia obsluhu alebo iným osobám. Je mimoriadne dôležité, aby ste si prečítali návod na obsluhu a aby ste rozumeli jeho obsahu. Pred použitím výrobku si pozorne prečítajte návod na obsluhu a uistite sa, že rozumiete uvedeným pokynom.

(Obr. 3) Pred vykonávaním údržby odpojte batériu.

(Obr. 4) Menovité napätie, V

(toto schválené príslušenstvo sa nachádza v časti *Príslušenstvo na strane 300*). Prečítajte si tento návod, ako aj návod k schválenému príslušenstvu.

(Obr. 5) Jednosmerný prúd.

(Obr. 6) Tento výrobok je v súlade s príslušnými smernicami ES.

(Obr. 7) Symboly na výrobku alebo na jeho obale označujú, že sa tento výrobok nesmie likvidovať ako domáci odpad. Tento výrobok sa musí odovzdať v príslušnom zariadení na recykláciu.

(Obr. 8) Výrobok je vybavený ochranou proti striekajúcej vode.

rrrtboox

Výkonový štítok udáva výrobné číslo. **yyyy** je rok výroby, **ww** je týždeň výroby a **xxxx** je poradové číslo.

Poznámka: Ostatné symboly/štítky na výrobku odkazujú na požiadavky certifikácie pre iné komerčné oblasti.

Výrobca

Husqvarna AB

Drottninggatan 2, SE-561 82 Huskvarna, Sweden, tel: +46-36-146500

Poškodenie výrobku

Nie sme zodpovední za škody na našom výrobku v prípade:

- nesprávne vykonanej opravy výrobku,
- opravy výrobku, pri ktorej neboli použité diely od výrobcu alebo diely schválené výrobcom,
- používania príslušenstva od iného výrobcu alebo príslušenstva, ktoré nie je schválené výrobcom,

- opravy výrobku, ktoré neboli vykonané v schválenom servisnom stredisku alebo schválenými kompetentnými osobami.

Podpora

Pre podporu týkajúcu sa výrobku prejdite do časti Podpora, kde nájdete pokyny, návody na

riešenie problémov alebo môžete využiť Husqvarna samoobslužný portál a asistenta výrobku (ak je k dispozícii vo vašom trhu). Pre ďalšiu podporu týkajúcu sa výrobku sa obráťte na svojho Husqvarna servisného predajcu.

Bezpečnosť

Bezpečnostné definície

Výstrahy, upozornenia a poznámky slúžia na zdôraznenie mimoriadne dôležitých častí návodu.



VÝSTRAHA: Používa sa, ak pre obsluhu alebo osoby v okolí existuje nebezpečenstvo poranenia alebo smrti v prípade nedodržania pokynov v návode.



VAROVANIE: Používa sa, ak hrozí nebezpečenstvo poškodenia produktu, iných materiálov alebo okolitej oblasti v prípade nedodržania pokynov v návode.

Poznámka: Používa sa na poskytnutie informácií nad rámec nevyhnutných informácií v danej situácii.

Všeobecné bezpečnostné upozornenie pre elektrické nástroje



VÝSTRAHA: Prečítajte si návod k schválenému príslušenstvu, ako aj návod k tomuto elektrickému zariadeniu.



VÝSTRAHA: Prečítajte si všetky bezpečnostné upozornenia, pokyny a pozrite si ilustrácie a uvedené technické údaje tohto elektrického nástroja. Nedodržanie všetkých nižšie uvedených pokynov môže spôsobiť zásah elektrickým prúdom, požiar alebo ťažké zranenia.

Poznámka: Uchovajte si všetky upozornenia a pokyny pre budúce použitie. Výraz „elektrický nástroj“ v upozorneniach označuje elektrický nástroj napájaný z elektrickej siete (s káblom) alebo napájaný z batérie (bez kábla).

Bezpečnosť na pracovisku

- **Pracovisko udržiavajte v čistote a dobre osvetlené.** Neporiadok aj tmavé osvetlenie vedú k nehodám.
- **Stroje nepoužívajte vo výbušnom prostredí, napríklad v prítomnosti horľavých kvapalín, plynov**

alebo prachu. Stroje vytvárajú iskry, ktoré môžu vznietiť prach alebo výparny.

- **Nedovoľte, aby sa v blízkosti práce so strojom zdržiavali deti alebo iné osoby.** Rušivé podnety môžu spôsobiť stratu kontroly.

Elektrická bezpečnosť

- **Zástrčky stroja musia byť vhodné na pripojenie do zásuvky. Nikdy a žiadnym spôsobom nemodifikujte elektrickú zástrčku. Pri uzemnených strojoch nepoužívajte žiadne adaptérové zástrčky.** Nemodifikované zástrčky a vhodne zásuvky znižujú riziko úrazu elektrickým prúdom.
- **Zabráňte telesnému kontaktu s uzemnenými plochami, napríklad s potrubím, radiátormi, sporákmi a chladničkami.** Ak je vaše telo uzemnené, riziko úrazu elektrickým prúdom je zvýšené.
- **Stroje nevystavujte pôsobeniu dažďa ani vlhkosti.** Vniknutie vody do stroja zvyšuje riziko zásahu elektrickým prúdom.
- **Nepoužívajte kábel nesprávnym spôsobom. Kábel nikdy nepoužívajte na prenášanie, ťahanie ani odpájanie stroja. Kábel chráňte pred teplom, olejom, ostrými hranami alebo pohybujúcimi sa časťami.** Poškodené alebo zamotané káble zvyšujú riziko úrazu elektrickým prúdom.
- **Pokiaľ pracujete so strojom vonku, používajte len taký predlžovací kábel, ktorý je určený pre exteriér.** Používanie kábla určeného do vonkajšieho prostredia znižuje riziko zásahu elektrickým prúdom.
- **Pokiaľ sa nemôžete vyhnúť prevádzke stroja vo vlhkom prostredí, použite zásuvku s prúdovým chráničom.** Použitie prúdového chrániča znižuje riziko úrazu elektrickým prúdom.

Osobná bezpečnosť

- **Pracujte obozretné, dávajte pozor a pri používaní stroja postupujte rozumne. Stroj nepoužívajte, ak ste unavení alebo pod vplyvom drog, alkoholu alebo liekov.** Chvilka nepozornosti pri používaní strojov môže viesť k vážnemu zraneniu.
- **Používajte osobné ochranné pomôcky. Vždy noste ochranné prostriedky očí.** Používanie osobných ochranných prostriedkov, ako je maska proti prachu, protišmyková bezpečnostná obuv, ochranná prilba alebo ochrana sluchu podľa druhu a spôsobu použitia elektrického náradia, znižujú riziko poranenia.

- **Zabráňte neúmyselnému spusteniu zariadenia.** Pred pripojením k elektrickej sieti alebo akumulátoru, zdvihnutím alebo prenesením stroja overte, či je vypínač vo vypnutej polohe. Pokiaľ máte pri prenášaní strojov prst na spínači alebo pokiaľ sú stroje v zapnutom stave pripojené na zdroj prúdu, môže dôjsť k úrazom.
- **Predtým, ako stroj zapnete, odstráňte z neho nastavovací kľúč alebo kľúč na matice.** Nástroje alebo kľúče, ktoré sa nachádzajú v rotujúcich častiach stroja, môžu spôsobiť úraz.
- **Nenaťahujte sa príliš ďaleko.** Vždy si udržiavajte rovnováhu a správny postoj. Tým môžete stroj v neočakávaných situáciách lepšie kontrolovať.
- **Vhodne sa oblečte. Nenoste voľné oblečenie alebo šperky. Udržujte svoje vlasy a oblečenie mimo dosahu pohyblivých častí.** Voľné oblečenie, šperky alebo dlhé vlasy sa môžu zachytiť v pohyblivých častiach.
- **Ak je možné pripojiť zariadenia na odsávanie a zber prachu, overte, či sú tieto zariadenia pripojené a či sa správne používajú.** Používanie zberača prachu môže obmedziť nebezpečenstvá týkajúce sa prachu.
- **Aj keď ste po viacnásobnom používaní so strojom oboznámení, nenechajte sa ukolísat' falošným pocitom bezpečia a neprestaňte dbať na bezpečnostné pravidlá pre stroj.** Nepozorné konanie môže v zlomku sekundy viesť k ťažkým poraneniam.

Používanie a starostlivosť o stroj

- **Stroj nepreťažujte.** Pre svoju prácu používajte vždy len na to určený stroj. S vhodným strojom sa vám v danom rozsahu výkonu bude pracovať lepšie a bezpečnejšie.
 - **Nepoužívajte stroj, ktorý má pokazený spínač.** Stroj, ktorý sa nedá zapnúť a vypnúť, je nebezpečný a musí sa opraviť.
 - **Pred akýmkoľvek nastavením, výmenou príslušenstva alebo skladovaním stroja odpojte zástrčku od zdroja napájania alebo vyberte akumulátor zo stroja, ak je vyberateľný.** Toto bezpečnostné opatrenie zabráni neúmyselnému štartu stroja.
 - **Nepoužívaný stroj uskladnite mimo dosahu detí.** Nedovoľte, aby stroj používali osoby, ktoré s ním nie sú oboznámené alebo si neprečítali tieto pokyny. Stroje sú nebezpečné, pokiaľ ich používajú neskúsené osoby.
 - **Vykonávajte údržbu strojov a príslušenstva.** Kontrolujte, či sa pohyblivé diely voľne pohybujú a nezasekávajú sa, či nie sú niektoré diely zlomené alebo tak poškodené, že by mohli ovplyvniť funkciu stroja. Poškodené diely stroja nechajte pred použitím opraviť. Mnohé úrazy sú spôsobené nesprávnou údržbou strojov.
 - **Rezacie nástroje udržiavajte nabrúsené a v čistote.** Správne udržiavané rezacie stroje s ostrými hranami sú menej náchylné na uviaznutie a ľahšie sa ovládajú.
- **Stroj, príslušenstvo, ostrie a pod. používajte v súlade s týmito pokynmi, pričom vezmite do úvahy pracovné podmienky a typ vykonávanej práce.** Použitie stroja na iné ako určené účely môže viesť k nebezpečným situáciám.
 - **Rukoväti a úchytné povrchy udržiavajte suché, čisté a neznečistené olejom a mazivom.** Klzké rukoväte a plochy rukoväte znemožňujú bezpečnú obsluhu a kontrolu elektrického náradia v nepredvídateľných situáciách.

Používanie akumulátorového stroja a starostlivosť oň

- **Nabíjajte iba pomocou nabíjačky špecifikovanej výrobcom.** Nabíjačka, ktorá je vhodná pre jeden typ akumulátora, môže pri použití s iným akumulátorom predstavovať nebezpečenstvo požiaru.
- **Stroje používajte iba s presne určenými akumulátormi.** Pri použití akéhokoľvek iného akumulátora môže hroziť nebezpečenstvo poranenia a požiaru.
- **Keď sa akumulátor nepoužíva, udržiajte ho mimo dosahu kovových predmetov, ako sú spony na papier, mince, kľúče, klince, skrutky alebo iné drobné kovové predmety, ktoré môžu vytvoriť spoj medzi svorkami.** Skratovanie svoriek akumulátora môže spôsobiť popálenie alebo požiar.
- **Pri neopatrnom zaobchádzaní môže z akumulátora uniknúť tekutina. Nedotýkajte sa jej.** V prípade náhodného kontaktu umyte postihnuté miesto vodou. Ak sa dostane kvapalina z akumulátora do očí, vyhľadajte aj lekársku pomoc. Kvapalina vystrekujúca z akumulátora môže spôsobiť podráždenie alebo popáleniny.
- **Nepoužívajte poškodený alebo upravený akumulátor alebo stroj.** Poškodené alebo upravené akumulátory môžu mať za následok nepredvídateľné fungovanie a spôsobiť požiar, výbuch alebo predstavovať nebezpečenstvo poranenia.
- **Nevystavujte akumulátor ani stroj ohňu ani príliš vysokým teplotám.** Pri vystavení ohňu alebo teplote nad 130 °C (265 °F) môže dôjsť k výbuchu.
- **Dodržiavajte všetky pokyny na nabíjanie a akumulátor ani stroj nenabíjajte mimo teplotného rozsahu uvedeného v pokynoch.** Pri nesprávnom nabíjaní alebo pri vonkajších teplotách mimo uvedeného rozsahu hrozí poškodenie akumulátora a zvyšuje sa nebezpečenstvo požiaru.

Služba

- **Stroj zverte do opravy iba kvalifikovanému odborníkovi a používajte iba originálne náhradné diely.** Iba tak je možné zaistiť zachovanie bezpečnosti stroja.
- **Poškodené akumulátory nikdy neservisujte sami.** Servis akumulátora smie vykonávať len výrobca alebo autorizovaný servis.

Ďalšie všeobecné bezpečnostné informácie

- Pred prechodom na iné miesto výrobok vypnite. Pri predávaní výrobku inej osobe vždy vyberte batériu.
- Výrobok nikdy neodkladajte, kým ho nevypnete a nevyberiete z neho batériu. Zapnutý výrobok nenechávajte bez dozoru.
- Rezací nástroj sa nezastaví ihneď po vypnutí zariadenia.
- Pred použitím výrobku a po akomkoľvek náraze skontrolujte známky opotrebovania alebo poškodenia a podľa potreby vykonajte opravu.
- Ak sa počas prevádzky výrobku v rezacom nastavení niečo zasekne, prácu prerušte a vypnite výrobok. Zaisťte, aby sa rezací nadstavec úplne zastavil. Pred čistením, kontrolou alebo opravou výrobku alebo rezného zariadenia vyberte batériu.
- Pred používaním výrobok skontrolujte. Pozrite si časti *Bezpečnostné zariadenia na výrobku na strane 293* a *Údržba na strane 297*. Ak sa výrobok poškodí, nepoužívajte ho. Vykonávajte bezpečnostné kontroly, údržby a dodržiavajte servisné pokyny uvedené v tomto návode.
- Chybný rezací nadstavec môže zvýšiť riziko nehôd.
- Skontrolujte, či prevod nie je znečistený a prasknutý. Očistite prevod od trávy a lukvia pomocou kefy. V prípade potreby noste rukavice.
- Vždy skontrolujte, či sa vo vetracích otvoroch nenachádzajú odpadky.
- Skontrolujte, či je vyžinacia hlava úplne pripevnená k vyžinaču.
- Pred naštartovaním sa musia nasadiť všetky kryty, ochranné prvky a rukoväte.
- Skontrolujte, či je výrobok v úplnom poriadku.
- Skontrolujte, či sú všetky matice a skrutky zatiahnuté.
- Skontrolujte či vyžinacia hlava a kryt vyžinacej hlavy nie sú poškodené alebo prasknuté. Vyžinaciu hlavu alebo kryt vyžinacej hlavy vymeňte, pokiaľ boli vystavené nárazom, alebo ak sú niekde prasknuté. Vždy používajte správny odporúčaný ochranný kryt zodpovedajúci používanému rezaciemu nastavcu. Pozrite si časť *Technické údaje na strane 299*.
- Tento výrobok môže byť nebezpečný, ak nie ste opatrní alebo ho používate nesprávne. Tento výrobok môže spôsobiť vážne poranenie alebo usmrtienie obsluhujúceho pracovníka alebo iných osôb.
- Tento spotrebič nie je určený na použitie osobami (vrátane detí) s obmedzenými fyzickými, zmyslovými alebo mentálnymi schopnosťami, alebo s nedostatkom skúseností a vedomostí, pokiaľ tieto osoby nie sú pod dohľadom alebo ak neboli poučené o používaní spotrebiča osobou zodpovednou za ich bezpečnosť. Deti by mali byť pod dohľadom, aby sa zabezpečilo, že sa so zariadením nehrajú.
- Nikdy nedovoľte deťom používať stroj alebo sa zdržiavať v jeho blízkosti. Keďže stroj sa ľahko štartuje, deti môžu byť schopné naštartovať ho, pokiaľ nie sú pod neustálym dohľadom. To môže

znamenat' riziko vážneho poranenia. Preto odpojte batériu, keď stroj nie je pod dohľadom.

- Nikdy nedovoľte deťom a iným osobám, ktoré nie sú vyškolené v používaní výrobku a/alebo batérie, používať alebo opravovať výrobok alebo batériu.
- Skladujte vybavenie na uzamykateľnom mieste, aby bolo mimo dosahu detí a nepovolanych osôb.
- Pri preprave a skladovaní vždy použijete transportný kryt.
- Ruky a nohy nikdy nepribližujte k oblasti rezania, najmä nie pri zapínaní motora.
- Po vypnutí výrobku majte ruky a nohy mimo dosahu rezacieho nadstavca, kým sa úplne nezastaví.
- Narezaný materiál neodstraňuje ani nenechajte iné osoby odstraňovať, kým je výrobok spustený alebo kým sa otáča rezné zariadenie, keďže by mohlo dôjsť k vážnemu zraneniu.
- Majte na pamäti, že vy ako operátor ste zodpovedný za to, aby ste nevystavovali osoby alebo ich majetok nevhodám alebo nebezpečenstvu.
- Za žiadnych okolností nemeňte pôvodnú konštrukciu výrobku bez schválenia od výrobcu. Vždy používajte originálne príslušenstvo. Nepovolené zmeny alebo príslušenstvo môžu viesť k vážnemu zraneniu alebo smrti operátora alebo ostatných osôb. Vaša záruka nemusí pokrývať poškodenia ani škody spôsobené neschváleným príslušenstvom alebo náhradnými dielmi.
- Jediné príslušenstvo, ktoré môžete používať s týmto výrobkom, je rezací nadstavec, ktorý odporúčame v kapitole *Príslušenstvo*. Pozrite si časť *Príslušenstvo na strane 300*.
- Nikdy nepoužívajte výrobok, ktorý bol pozmenený a nezohoduje sa s originálnymi špecifikáciami.
- Nikdy nepoužívajte poškodený výrobok. Vykonávajte bezpečnostné kontroly, údržby a dodržiavajte servisné pokyny uvedené v tomto návode. Určité opatrenia týkajúce sa servisu a údržby zariadenia musia vykonávať iba školení a kvalifikovaní odborníci. Pozrite si pokyny v časti *Údržba*.
- Práca v nepriaznivom počasí je únavná a často prináša zvýšené nebezpečenstvo. Vzhľadom na zvýšené nebezpečenstvo sa neodporúča používať výrobok za veľmi nepriaznivého počasia, napríklad za hustej hmly, silného dažďa, silného vetra, keď je veľmi chladno alebo počas búrky atď.
- Nikdy nepracujte, ak stojíte na rebríku alebo v inej vyvýšenej polohe, ktorá nie je úplne bezpečná.
- Nepoužívané zariadenia uložte v interiéri – keď sa zariadenia nepoužívajú, treba ich uložiť v interiéri
- Nie je možné predvídať každú situáciu, ktorá môže nastať. Vždy konajte opatrne a riadte sa zdravým rozumom. Vyvarujte sa každej situácie, ktorá podľa vás presahuje vaše možnosti. Ak si ani po prečítaní týchto pokynov nie ste istý, ako so strojom zaobchádzať, obráťte sa na odborníka.
- Zabezpečte, aby sa počas práce nemohli do okruhu 15 m od produktu dostať žiadni ľudia ani zvieratá. Pokiaľ v rovnakom priestore pracujú

niekoľkí používatelia, bezpečná vzdialenosť medzi nimi by mala byť minimálne 15 metrov. V opačnom prípade existuje riziko vážneho zranenia. Ak sa niekto k výrobku viac priblíži, okamžite ho zastavte. Nikdy neotáčajte výrobkom okolo seba bez toho, aby ste sa presvedčili, či sa niekto nenachádza v nebezpečnej zóne.

- Ubezpečte sa, že ľudia, zvieratá alebo iné veci nebudú môcť ovplyvniť ovládanie výrobku, nemôžu prísť do kontaktu s rezacím nadstavcom a ani ich nezasiahnu predmety odhodené rezacím nadstavcom. Výrobok však smiete používať len v prípade, že dokážete privolať pomoc v prípade nehody.
- Uistite sa, že sa môžete pohybovať a stáť bezpečne. Skontrolujte, či okolo vás nie sú prekážky (korene, skaly, vetvy, jamy a podobne) pre prípad, že by ste sa museli náhle pohnúť. Dávajte veľký pozor pri práci na prudkých svahoch.
- Pri práci so zariadením kráčajte, nebežte.
- Skontrolujte pracovnú oblasť. Odstráňte všetky voľné predmety, ako sú kamene, úlomky skla, kince, ocelové drôty, šnúry a pod., ktoré by mohli pri strihaní vyletúvať alebo sa namotať na rezací nástroj alebo kryt rezacieho nástroja.
- Dávajte pozor na zvyšky konárov, ktoré môžu pri rezaní odletúvať. S výrobkom nepracujte príliš blízko pri zemi, pretože môže dôjsť k odletovaniu kameňov a iných predmetov.
- Ubezpečte sa, že žiadne oblečenie alebo časti tela nepriđu do styku s rezacím nadstavcom po zapnutí výrobku. Výrobok držte pod úrovňou pásu.
- Dávajte pozor na odletujúce predmety. Vždy používajte schválené chrániče očí. Nikdy sa nenakláňajte ponad kryt rezacieho nástroja. Kamene, úlomky, atď. môžu vyletieť do očí a zapríčiniť slepotu alebo vážne poranenie.
- Ak nosíte chrániče sluchu, dávajte pozor na varovné signály alebo výkriky. Vždy si chrániče sluchu skladajte hneď, ako sa výrobok zastaví.
- Ak dochádza k nežiaducim vibráciám, vyrežte novú šnúru so správnou dĺžkou a vibrácie by mali ustať.
- Ak výrobok začne nadmerne vibrovať, zastavte ho a vyberte batériu.
- Nadmerné vystavenie vibráciám môže viesť k poškodeniu krvného obehu alebo nervovým poškodeniam u ľudí, ktorí majú zhoršený krvný obeh. Pri symptómoch nadmerného vystavenia vibráciám sa obráťte na svojho lekára. Tieto príznaky sú tŕpnutie, strata citu, chvenie, pichanie, bolesť, strata sily, zmeny vo farbe a stave pleti. Tieto symptómy sa bežne objavujú na prstoch, rukách a zápästiach.
- Výrobok vždy držte oboma rukami. Výrobok držte na pravej strane tela.

Osobné ochranné prostriedky



VÝSTRAHA: Skôr než budete výrobok používať, prečítajte si nasledujúce výstrahy.

- Pri používaní produktu vždy používajte schválené osobné ochranné prostriedky. Osobné ochranné prostriedky nedokážu úplne vylúčiť riziko, ale môžu znížiť vážnosť zranenia v prípade nehody. Váš predajca vám pomôže pri výbere správnych prostriedkov.
- V prípade rizika padajúcich predmetov používajte ochrannú prilbu.
- Používajte schválené chrániče sluchu, ktoré zaručujú primeranú redukciu hluku. Dlhodobé vystavenie sa hluku môže spôsobiť trvalé poškodenie sluchu.
- Používajte schválené chrániče očí. Ak používate štít, musíte tiež používať schválené ochranné okuliare. Schválené ochranné okuliare musia zodpovedať norme ANSI Z87.1 platnej v USA alebo norme EN 166 platnej v krajinách EÚ.
- Na ochranu tváre používajte ochranný štít. Štít nie je dostatočnou ochranou očí.

(Obr. 9)

- Keď je to potrebné, používajte rukavice, ako napríklad pri montáži, kontrole alebo čistení rezného zariadenia.
- Používajte pevnú protišmykovú obuv.
- Používajte odev vyrobený z pevnej tkaniny. Vždy noste pevné, dlhé nohavice a dlhé rukávy. Nepoužívajte voľný odev, ktorý sa môže zachytiť v konároch a vetvách. Nenoste šperky, krátke nohavice, sandále a nebuďte bosí. Vlasy si bezpečne uchyťte nad úrovňou ramien.

(Obr. 10)

- Majte poruke pomôcky na poskytnutie prvej pomoci.

(Obr. 11)

Bezpečnostné zariadenia na výrobku



VÝSTRAHA: Skôr než budete výrobok používať, prečítajte si nasledujúce výstrahy.

V tejto časti je opísané bezpečnostné vybavenie výrobku, jeho účel a postup, ako vykonávať kontroly a údržbu, aby bola zabezpečená jeho správna činnosť. Pozrite si pokyny v časti *Úvod na strane 289* kde nájdete informácie o umiestnení týchto častí na výrobku.

Ak údržba výrobku nebude vykonávaná správne, skrátí sa tým jeho životnosť a zvýši sa riziko nehodovosti. Servis a/alebo opravy musia byť vykonané odborne. Ak potrebujete podrobnejšie informácie, obráťte sa na najbližší servis.



VÝSTRAHA: Nikdy nepoužívajte výrobok, ktorý má chybné bezpečnostné prvky. Bezpečnostné vybavenie výrobku sa musí kontrolovať a udržiavať tak, ako je to opísané v tejto časti. Ak výrobok neprejde niektorou z kontrol, obráťte sa na servisného zástupcu na účel opravy.



VAROVANIE: Všetky servisné a opravné práce na stroji si vyžadujú špeciálne školenie. Toto najmä platí o bezpečnostnom vybavení výrobku. Ak stroj neprejde niektorou z kontrol popísaných nižšie, doneste ho do servisnej dielne. Pri kúpe ktoréhokoľvek z našich výrobkov vám zaručujeme dostupnosť odborných opráv a servis. Ak maloobchodný predajca, ktorý vám predáva stroj nie je servisný zástupca, požiadať ho o adresu najbližšej servisnej dielne.

Bezpečnostné pokyny pre montáž



VÝSTRAHA: Prečítajte si návod k tomuto elektrickému zariadeniu, ako aj návod k schválenému príslušenstvu.

- Pred montážou výrobku z neho odstráňte akumulátor.
- Používajte schválené ochranné rukavice.
- Poškodený alebo nesprávny ochranný kryt môže spôsobiť zranenie. Nepoužívajte rezacie nadstavce bez osadeného schváleného krytu.
- Pred naštartovaním výrobku sa uistite, že je správne nasadený kryt a hriadeľ.
- Ak sa k nadstavcu dodáva popruh, musíte ho správne pripevniť k výrobku. Popruh robí prevádzku zariadenia bezpečnou a zamedzuje zraneniu používateľa alebo iných osôb.

Bezpečnosť akumulátora



VÝSTRAHA: Skôr než budete výrobok používať, prečítajte si nasledujúce výstrahy.

- Používajte len akumulátory schválené spoločnosťou Husqvarna. Pozrite si časť *Schválené batérie na strane 300*. Akumulátory sú softvérovo kódované.
- Akumulátory schválené spoločnosťou Husqvarna používajte iba na napájanie príslušných výrobkov Husqvarna. V prípade iných zariadení nepoužívajte akumulátor ako zdroj napájania, aby ste zabránili riziku zranenia.
- Nebezpečenstvo zásahu elektrickým prúdom. Nepripájajte konektory batérie ku kľúčom, minciam, skrutkám ani k iným kovovým predmetom. Môže dôjsť k skratu akumulátora.
- Nepoužívajte nenabíjateľné akumulátory.
- Do vetracích otvorov akumulátora nekladajte žiadne predmety.
- Akumulátor nevystavuje priamemu slnečnému žiareniu, teplu ani otvorenému ohňu. Akumulátor môže spôsobiť popálenie alebo poleptanie.
- Akumulátor nevystavuje dažďu ani vlhku.
- Akumulátor nevystavuje mikrovlnnému žiareniu ani vysokému tlaku.
- Nepokúšajte sa rozoberať ani rozdrviť akumulátor.
- V prípade úniku kvapaliny z batérie zabráňte zasiahnutiu pokožky a očí kvapalinou. V prípade kontaktu s kvapalinou umyte zasiahnutú oblasť veľkým množstvom vody s mydlom a vyhľadajte lekársku pomoc. Ak sa vám kvapalina dostane do očí, nepretierajte si ich, ale si ich minimálne 15 minút vyplachujte vodou. Následne vyhľadajte lekársku pomoc.
- Batériu používajte v prostredí, v ktorom sa teplota pohybuje od $-10\text{ }^{\circ}\text{C}$ ($14\text{ }^{\circ}\text{F}$) do $40\text{ }^{\circ}\text{C}$ ($114\text{ }^{\circ}\text{F}$).

Kontrola používateľského rozhrania

1. Stlačte a podržte tlačidlo vypínača (A). (Obr. 12)
 - a) Výrobok je zapnutý, keď sa rozsvieti displej (B).
 - b) Výrobok je vypnutý, keď nesvieti displej.
2. Ak svieti alebo bliká výstražný indikátor na displeji, pozrite si časť *Kľávesnica na strane 298*.

Kontrola poistky páčky vypínača

Poistka páčky vypínača má zabrániť náhodnému spusteniu. Keď posuniete poistku páčky vypínača (A) dopredu a potom stlačíte poistku páčky vypínača proti rukoväti (B), páčka vypínača (C) sa uvoľní. Keď uvoľníte rukoväť, páčka vypínača aj zablokovanie páčky vypínača sa spoločne vrátia späť do svojej pôvodnej polohy. Tento pohyb riadia tri nezávislé pružiny. (Obr. 13)

1. Ubezpečte sa, že páčka vypínača je zaistená, keď je poistka v pôvodnej polohe. (Obr. 14)
2. Posuňte poistku páčky vypínača (A) dopredu a dole. Podržte páčku vypínača proti rukoväti (B) a uistite sa, že keď ju pustíte, vráti sa do pôvodnej polohy. (Obr. 15)
3. Skontrolujte, či sa páčka vypínača a poistka páčky vypínača pohybujú voľne a či vratná pružina funguje správne. (Obr. 16)
4. Výrobok zapnite stlačením a podržaním tlačidla vypínača.
5. Ak chcete dosiahnuť maximálne otáčky, úplne zatlačte páčku vypínača.
6. Uvoľnite páčku vypínača a skontrolujte, či sa rezací nadstavec zastavil a či potom ostal stáť.

- Akumulátor ani nabíjačku nečistíte vodou. Pozrite si časť *Čistenie výrobku, batérie a nabíjačky batérií na strane 298*.
- Nepoužívajte akumulátor, ktorý je poškodený alebo nefunguje správne.
- Batérie uchovávajú v bezpečnej vzdialenosti od kovových predmetov, ako sú napr. klince, skrutky alebo šperky.
- Akumulátor uchovávajú mimo dosahu detí.
- Nabíjačku používajte iba pri teplotách od 5 °C (41 °F) do 40 °C (104 °F). Nabíjačku používajte v prostredí, ktoré je dobre vetrané, suché a bez prachu.
- Do chladiacich otvorov nabíjačky nekladajte žiadne predmety.
- Nikdy nepripájajte koncovky nabíjačky ku kovovým predmetom, pretože tak môže nabíjačka skratovať.
- Používajte schválené elektrické zásuvky, ktoré nie sú poškodené. Skontrolujte, či nie je poškodený kábel nabíjačky batérií. Ak používate predlžovacie káble, uistite sa, že nie sú poškodené.

Bezpečnosť nabíjačky



VÝSTRAHA: Skôr než budete výrobok používať, prečítajte si nasledujúce výstrahy.

- V prípade nedodržania bezpečnostných pokynov hrozí nebezpečenstvo zásahu elektrickým prúdom alebo skratu.
- Používajte len nabíjačku batérií dodanú s vaším výrobkom. Na nabíjanie akumulátorov schválených spoločnosťou Husqvarna používajte iba nabíjačku schválenú spoločnosťou Husqvarna. Pokyny nájdete v časti *Technické údaje na strane 299*.
- Nabíjačku sa nepokúšajte rozoberať.
- Nepoužívajte nabíjačku, ktorá je poškodená alebo nefunguje správne.
- Nabíjačku nedvíhajte za napájací kábel. Pri odpájaní nabíjačky od sieťovej zásuvky ťahajte za zástrčku. Neťahajte za napájací kábel.
- Udržiavajte všetky káble a predlžovacie káble mimo dosahu vody, oleja a ostrých hrán. Dbajte, aby sa kábel nezachytil vo dverách, plotoch a podobne.
- Nabíjačku nepoužívajte v blízkosti horľavých materiálov alebo materiálov, ktoré spôsobujú koróziu. Skontrolujte, či nabíjačka nie je zakrytá. V prípade výskytu dymu alebo ohňa odpojte zástrčku nabíjačky.
- Akumulátor nabíjajte len v interiéri na miestach s dobrým prúdením vzduchu a mimo slnečného svetla. Akumulátor nenabíjajte vonku. Akumulátor nenabíjajte vo vlhkom prostredí.



VÝSTRAHA: Skôr než začnete s údržbou výrobku, prečítajte si nasledujúce výstrahy.

- Pred vykonávaním údržby, inými kontrolami alebo zmontovaním produktu vyberte batériu.
- Obsluha je povinná vykonávať iba údržbu a servisné úkony uvedené v tomto návode na obsluhu. O vykonanie rozsiahlejšej údržby alebo servisu požiadajte svojho servisného zástupcu.
- Batériu ani nabíjačku batérií nečistíte vodou. Silné čistiace prostriedky môžu spôsobiť poškodenie plastov.
- V prípade zanedbania údržby sa skracuje životnosť výrobku a zvyšuje sa riziko vzniku nehôd.
- Na vykonávanie všetkých servisných a opravných úkonov, najmä na bezpečnostných zariadeniach na výrobku, je potrebné špeciálne odborné vzdelanie. Ak po vykonaní údržby nie je možné úspešne vykonať všetky kontroly v tomto návode na obsluhu, požiadajte o pomoc servisného predajcu. Zaručujeme, pre tento výrobok sú k dispozícii profesionálne opravné a servisné služby.
- Používajte iba originálne náhradné diely.
- Pri opravě rezacieho nadstavca vždy noste odolné rukavice. Čepele sú veľmi ostré a ľahko sa na nich môžete poraniť.

Montáž

Montáž oblúkovej rukoväti

1. Oblúkovú rukoväť pripojte na hriadeľ medzi šípkami. Oblúkovú rukoväť ani závesný krúžok nedávajte na štítok. (Obr. 17)
2. Posuňte vymedzovač do otvoru na oblúkovej rukoväti.
3. Pripevnite maticu, gombík a skrutku, pričom ich nadmerne neťahujte.
4. Nastavte výrobok do pohodlnej polohy.
5. Utiahnite skrutku.

Montáž dvojdielného hriadeľa

1. Otočením gombíka uvoľníte spojku. (Obr. 18)
2. Zarovnajete úchytku (A) so šípkou (B) na spojke. (Obr. 19)
3. Zasuňte hriadeľ do spojky, kým nezapadne na miesto. (Obr. 20)
4. Gombík utiahnite na doraz. (Obr. 21)

Demontáž dvojdielného hriadeľa

1. Otočením gombíka o tri alebo viac otáčok uvoľníte spojku. (Obr. 22)

2. Stlačte a podržte tlačidlo (C).
3. Pevne uchopte koniec hriadeľa, ku ktorému je pripojený motor.
4. Vytiahnite nastavac von z prípojky. (Obr. 23)

Montáž závesného krúžka (ak sa vyžaduje)

1. Závesný krúžok namontujte medzi šípky na zadnej rukoväti a oblúčkovej rukoväti. (Obr. 24)

Poznámka: Oblúkovú rukoväť nedávajte na emblém.

2. Krúžok upravte za účelom vyváženie výrobku a zjednodušenia používania.

Prevádzka

Úvod



VÝSTRAHA: Pred používaním výrobku si prečítajte kapitolu o bezpečnosti a uistite sa, že rozumiete informáciám, ktoré sa v nej uvádzajú.

správne vložená. Mohlo by to viesť k poškodeniu výrobku.

3. Uistite sa, že je batéria vložená správne.

Nabíjanie akumulátora

Poznámka: Ak akumulátor používate prvýkrát, nabite ho. Nový akumulátor je nabitý iba na 30 %.

1. Uistite sa, že je akumulátor suchý.
2. Vložte akumulátor do nabíjačky. (Obr. 26)

Poznámka: Akumulátor a nabíjačka akumulátora rôznych modelov môžu vyzerať inak, ale postup je rovnaký.

3. Uistite sa, či sa rozsvietilo zelené svetlo nabíjania na nabíjačke akumulátorov. To znamená, že akumulátor je správne pripojený k nabíjačke batérií.
4. Keď svietia všetky diódy LED na akumulátore, akumulátor je plne nabitý. (Obr. 27)
5. Pri odpájaní nabíjačky akumulátorov od sieťovej zásuvky ťahajte za zástrčku. Neťahajte za kábel.
6. Vyberte akumulátor z nabíjačky.

Poznámka: Ďalšie informácie nájdete v návodoch k akumulátoru a nabíjačke akumulátorov.

Pracovná poloha

- Výrobok držte oboma rukami.
- Výrobok držte na pravej strane tela.
- Rezací nastavac udržiavajte pod úrovňou pásu.
- Nepribližujte sa časťami tela k horúcim povrchom.
- Nepribližujte sa časťami tela k rezaciemu nastavcu.

Pred obsluhou zariadenia

- Skontrolujte pracovnú plochu a oboznámte sa s typom terénu, sklonom svahu a prípadnými prekážkami, ako sú kamene, vetvy a jamy.
- Vykonajte celkovú kontrolu výrobku.

Husqvarna Connect

Husqvarna Connect je bezplatná aplikácia pre mobilné zariadenia. Aplikácia Husqvarna Connect prináša rozšírené funkcie pre výrobok Husqvarna.

- Rozšírené informácie o výrobku.
- Informácie a podpora vzťahujúce sa na súčasti výrobku a servis.

Ako používať Husqvarna Connect

1. Stiahnite si aplikáciu Husqvarna Connect do mobilného zariadenia.
2. Zaregistrujte sa v aplikácii Husqvarna Connect.
3. Ak chcete pripojiť a zaregistrovať produkt, postupujte podľa pokynov v aplikácii Husqvarna Connect.

Poznámka: Aplikácia Husqvarna Connect je k dispozícii na prevzatie iba v niektorých trhoch. Ak potrebujete ďalšie informácie, obráťte sa na servisného predajcu.

Pripojenie batérie k výrobku



VÝSTRAHA: Vo výrobku používajte iba originálne batérie Husqvarna.

1. Uistite sa, že je batéria plne nabitá.
2. Zatláčte batériu do držiaka na batériu na výrobku. Batéria sa zaistí na mieste, keď sa ozve cvaknutie. (Obr. 25)



VAROVANIE: Ak sa batéria do držiaka nedá ľahko zasunúť, nie je

- Vykonajte bezpečnostné opatrenia, údržbu a servis uvedené v tomto návode.
- Skontrolujte, či sú všetky kryty, ochranné prvky, rukoväti a príslušenstvo správne pripojené a nepoškodené.

Zapnutie výrobku

1. Stlačte a podržte vypínač, kým sa nerozsvieti zelený indikátor LED. (Obr. 28)
2. Na regulovanie rýchlosti použite páčku vypínača.

Obmedzenie maximálnych otáčok tlačidlom režimu

Výrobok je vybavený tlačidlom režimu. Operátor môže pomocou tlačidla režimu obmedziť maximálnu rýchlosť. Tlačidlo režimu má 3 úrovne otáčok. Nižšia úroveň predlží čas prevádzky výrobku. Tlačidlo režimu má 3 úrovne otáčok. Nižšia úroveň predlží čas prevádzky výrobku. Úroveň 1 a 2 použite v prípade, ak prevádzka nevyžaduje maximálne otáčky/výkon. Ak si prevádzkové

požiadavky vyžadujú plnú rýchlosť/plný výkon, použite úroveň 3. Nepoužívajte vyššiu úroveň, ako si vyžaduje prevádzka.

1. Stlačením tlačidla režimu nastavte limit maximálnych otáčok. Rozsvieti sa biely indikátor LED, ktorý signalizuje zapnutie funkcie. (Obr. 29)
2. Opätovným stlačením tlačidla režimu zvolíte ďalšiu úroveň rýchlosti.

Funkcia automatického vypnutia

Výrobok obsahuje funkciu automatického vypnutia, ktorá ho vypne, ak sa 3 minúty nepoužíva.

Zastavenie výrobku

1. Uvoľníte páčku vypínača alebo poistku páčky vypínača.
2. Stlačte vypínač. (Obr. 30)
3. Zatlačte uvoľňovacie tlačidlá batérie a vytiahnite batériu von. (Obr. 31)

Údržba

Úvod



VÝSTRAHA: Pred vykonávaním akejkoľvek údržby si musíte prečítať kapitolu o bezpečnosti a porozumieť informáciám, ktoré sa v nej uvádzajú.

Nasleduje zoznam postupov údržby, ktoré na výrobku musíte vykonávať. Okrem údržby uvedenej v pláne údržby si dajte vykonať pravidelný servis výrobku u servisného predajcu Husqvarna. Informácie o servisných intervaloch vám poskytne váš servisný predajca Husqvarna.

Plán údržby



VÝSTRAHA: Pred vykonaním údržby vyberte akumulátor.

Údržba	Denne	Týždenne	Mesačne
Očistite externé súčasti výrobku suchou handričkou. Nepoužívajte vodu.	X		
Preverte, či tlačidlo napájania funguje správne a či nie je poškodené.	X		
Skontrolujte, či páčka vypínača a zaistenie páčky vypínača fungujú správne z bezpečnostného hľadiska.	X		
Skontrolujte, či všetky ovládače fungujú a nie sú poškodené.	X		
Rukoväť udržiavajte suché, čisté a neznečistené olejom a mazivom.	X		
Skontrolujte, či sú matice a skrutky dotiahnuté.	X		
Skontrolujte, či uvoľňovacie tlačidlá na batérii fungujú správne a riadne zaistia batériu vo výrobku.	X		
Skontrolujte, či akumulátor nie je poškodený.	X		
Uistite sa, že je batéria nabitá.	X		

Údržba	Denne	Týždenne	Mesačne
Dbajte na to, aby nabíjačka batérie nebola poškodená a správne fungovala.	X		
Skontrolujte všetky káble, spojky a konektory. Zaisťte, aby boli nepoškodené a čisté.		X	
Skontrolujte prepojenia medzi akumulátorom a výrobkom. Skontrolujte aj prepojenie medzi akumulátorom a nabíjačkou.			X

Čistenie výrobku, batérie a nabíjačky batérií

1. Výrobok po použití očistite suchou handričkou.
2. Očistite batériu a nabíjačku batérií čistou handričkou. Vodiace dráhy batérie udržiavajte čisté.
3. Než vložíte batériu do nabíjačky alebo výrobku, skontrolujte, či sú koncovky na batérii a nabíjačke batérií čisté.

Dvojdielny hriadeľ

Mazivo naneste na koncovú časť hnacieho hriadeľa po každých 30 hodinách prevádzky. Existuje riziko, že pohyblivé konce hriadeľa (drážkové spojenie) na modeloch s dvojdielnym hriadeľom sa môžu zadriať, pokiaľ by neboli pravidelne mazané. (Obr. 32)

Riešenie problémov

Klávesnica

LED displej	Možné poruchy	Možná činnosť
Začne blikať zelená dióda LED	Nízke napätie batérie.	Nabite batériu.
Bliká červená chybová dióda LED	Pret'aženie.	Rezací nadstavec je zablokovaný, vypnite výrobok. Demontujte akumulátor. Očistite rezací nadstavec od neželateľného materiálu.
	Teplotná odchýlka.	Nechajte výrobok vychladnúť.
	Páčka vypínača a tlačidlo aktivácie sa stláčajú súčasne.	Uvoľnite páčku vypínača a výrobok sa aktivuje.
Výrobok sa nedá spustiť	Nečistoty na konektoroch akumulátora.	Očistite konektory batérie stlačeným vzduchom alebo jemnou kefou.
Chybová dióda LED signalizujúca poruchu svieti načerveno.	Je nutné vykonať servis produktu.	Obráťte sa na servisného zástupcu.

Preprava, skladovanie a likvidácia

Preprava a uskladnenie

- Dodávané lítium-iónové batérie spĺňajú požiadavky právnych predpisov, ktoré sa týkajú nebezpečného tovaru.
- Dodržiavajte špeciálne požiadavky na balení a štítkoch pri obchodnej preprave. Táto požiadavka platí aj pre tretie strany a prepravcov.
- Pred odoslaním výrobku sa poraďte s osobou s osobitým vzdelaním v oblasti nebezpečných materiálov. Dodržiavajte všetky príslušné vnútroštátne právne predpisy.
- Odhalené kontakty zaisťte páskou pri vkladaní akumulátora do balenia. Batériu v balení pevne zabezpečte, aby sa nemohla posúvať.
- Pred skladovaním alebo prepravou batériu vyberte.
- Umiestnite batériu a nabíjačku batérií do suchého priestoru bez výskytu vlhkosti a mrazov.

- Neskladujte batériu na mieste, kde sa môže vyskytovať statická elektrina. Batériu nekladajte do kovovej skrinky.
- Batériu uložte na mieste, kde sa teplota pohybuje v intervale 5 °C (41 °F) až 25 °C (77 °F) a kde je chránená pred priamym slnečným svetlom.
- Nabíjačku batérií uložte na mieste, kde sa teplota pohybuje v intervale 5 °C (41 °F) až 45 °C (113 °F) a kde je chránená pred priamym slnečným svetlom.
- Nabíjačku batérií používajte iba vtedy, keď je teplota okolitého prostredia v rozsahu 5 °C (41 °F) až 40 °C (104 °F).
- Pred dlhodobým skladovaním batériu nabite na 30 – 50 % kapacity.
- Nabíjačku batérií uchovajte na uzavretom a suchom mieste.
- Batériu skladujte mimo nabíjačky batérií. Nedovoľte deťom ani iným nepovolaným osobám, aby sa dotýkali zariadenia. Uchovávajte zariadenia na mieste, ktoré je možné uzamknúť.

- Pred dlhodobým uskladnením výrobok vyčistite a vykonajte kompletný servis.
- Pomocou prepravného krytu na výrobku zamedzte vzniku zranení alebo poškodenia produktu počas prepravy a uskladnenia.
- Pred prepravou výrobok bezpečne upevnite.

Likvidácia batérie, nabíjačky batérií a výrobku

Symbole na výrobku alebo na obale výrobku označujú, že tento výrobok nepredstavuje komunálny odpad. Recyklujte ho v recyklačnej stanici určenej pre elektrické a elektronické zariadenia. Napomôže tým zamedziť vzniku poškodeniu životného prostredia a osôb.

Ďalšie informácie o recyklácii výrobku získate od miestnych úradov, služby na likvidáciu komunálneho odpadu alebo predajcu.

Technické údaje

Technické údaje

	325iLK
Motor	
Typ motora	BLDC (bezkontaktný) 36V
Otáčky výstupného hriadeľa, 1/min	8400
Hmotnosť	
Hmotnosť (iba elektrického zariadenia), kg	2,9
Emisie hluku ^{161, 162}	
Nameraná hladina akustického výkonu, dB (A)	89 – 103
Zaručená úroveň hlučnosti L _{WA} dB(A)	90 – 106
Hladiny hluku ^{163, 164}	
Ekvivalentná hladina akustického tlaku pri uchu obsluhy meraná podľa normy EN 62841-1, db (A):	78 – 93

¹⁶¹ Hladina hluku meraná ako akustický tlak (LWA) v súlade s európskou smernicou 2000/14/ES. Uvádzaná hladina akustického výkonu stroja bola meraná s originálnym rezacím nadstavcom, ktorý produkuje najvyšší výkon. Rozdiel medzi zaručeným a nameraným akustickým výkonom spočíva v tom, že zaručený akustický výkon zahŕňa aj rozptyl výsledkov merania a rozdiely medzi jednotlivými strojmi rovnakého modelu v súlade so smernicou 2000/14/ES.

¹⁶² Rozsah hluku uvádza najnižšiu a najvyššiu nameranú hodnotu.

¹⁶³ Uvádzané údaje pre hladinu akustického tlaku majú typický štatistický rozptyl (štandardnú odchýlku) 3 dB (A) a boli namerané s originálnym nadstavcom, ktorý má najvyššiu úroveň.

¹⁶⁴ Rozsah hluku uvádza najnižšiu a najvyššiu nameranú hodnotu.

	325iLK
Úrovně vibrácií ^{165, 166}	
Hladiny vibrácií na rukovätiach, merané podľa normy EN 62841-1, m/s ²	1,3 – 5,5/1,1 – 3,1

Schválené batérie

Batéria	BLi200	40-B220X
Typ	Lítium-iónová	Lítium-iónová
Kapacita batérie, Ah	5,2	6,0
Menovité napätie, V	36	36
Hmotnosť, kg (lb)	1,3 (2,9)	1,4 (3,1)

Schválené nabíjačky akumulátorov

Nabíjačka	QC330	40-C500X
Vstupné napätie, V	100 – 240	100 – 240
Frekvencia, Hz	50 – 60	50 – 60
Výkon, W	330	500

Príslušenstvo

Nadstavce

Schválené nadstavce	Číslo nadstavca ¹⁶⁷	Séria nadstavcov ¹⁶⁸	Použite s
Nadstavec krovínorezu BCA850	1	1-10	325iLK
Nadstavec fúkača BA101	11	11-20	325iLK
Nadstavec na zarovnávanie ECA850	21	21-30	325iLK
Nadstavec na zarovnávanie ESA850	22	21-30	325iLK
Nadstavec plotostrihu HA860	32	31-40	325iLK

¹⁶⁵ Uvádzané údaje pre ekvivalentný stupeň vibrácií majú typický štatistický rozptyl (štandardnú odchýlku) 2 m/s². Ak chcete porovnať úrovně vibrácií pre výrobky s batériou a so spaľovacím motorom, použite kalkulator vibrácií. <https://www.husqvarna.com/uk/services-solutions/vibration-calculator/>.

¹⁶⁶ Rozsah hluku uvádza najnižšiu a najvyššiu nameranú hodnotu.

¹⁶⁷ Ide o špecifické číslo schváleného nadstavca v rámci série nadstavcov.

¹⁶⁸ Schválené nadstavce sú rozdelené do sérií nadstavcov. Každá séria nadstavcov má podobné funkcie a emblémy.

Schválené nadstavce	Číslo nadstavca ¹⁶⁷	Séria nadstavcov ¹⁶⁸	Použité s
Nadstavec tyčovej píly PAX730	41	41-50	325iLK
Nadstavec tyčovej píly PAX1100	42	41-50	325iLK
Pílový nadstavec PA1100	43	41-50	325iLK
Čistiace a zametacie príslušenstvo SR600-2	51	51-60	325iLK
Štetinový nadstavec BR600	52	51-60	325iLK
Vertikulačný nadstavec DT600	53	51-60	325iLK
Nadstavec kultivátora CA230	54	51-60	325iLK
Vyžínací nástavec RA850	2	1-10	525iLK

¹⁶⁷ Ide o špecifické číslo schváleného nadstavca v rámci série nadstavcov.

¹⁶⁸ Schválené nadstavce sú rozdelené do sérií nadstavcov. Každá séria nadstavcov má podobné funkcie a emblémy.

Vyhlasenie o zhode

Vyhlasenie o zhode EÚ

My, spoločnosť **Husqvarna AB**, SE-561 82 Huskvarna, Švédsko, tel.: +46-36-146500, vyhlasujeme s plnou zodpovednosťou, že výrobok:

Popis	Napájacia jednotka poháňaná akumulátorom (Vyžinač trávy)
Značka	Husqvarna
Typ/model	325iLK (čistá jednotka)
Identifikácia	Výrobné čísla od roku 2024 a novšie

plne spĺňa nasledujúce smernice a nariadenia EÚ:

Smernice/Nariadenia	Popis
2006/42/ES	„o strojových zariadeniach“
2014/30/EMC	„o elektromagnetickej kompatibilite“
2011/65/EÚ	„o obmedzení používania určitých nebezpečných látok“
2000/14/ES	„o hluku vo voľnom priestranstve“

a že sa pri ňom uplatňujú nasledujúce normy a technické špecifikácie: EN ISO 12100:2010, EN 62841-1:2015+AC:2015+A11:2022, EN 62841-4-2:2019+A11:2022+A1:2022, IEC 62841-4-4:2020+A1:2024, IEC 62841-4-6:2022, ISO 11449:1994, EN ISO 11680-1:2021, EN 61000-6-3:2007+A1:2011, EN 61000-6-1:2016, EN IEC 63000:2018.



Spoločnosť SMP Svensk Maskinprovning AB, Box 4053, SE-904 03 Umeå, Sweden vykonala dobrovoľnú typovú skúšku v súlade s prílohou IX smernice 2006/42/ES. Č. certifikátu: SEC/24/2593.

Notifikovaný orgán: Spoločnosť SMP Svensk Maskinprovning AB, tiež potvrdila súlad s Prílohou V smernice Rady 2000/14/ES. Č. certifikátu: 01/1610/013.

Informácie týkajúce sa emisií hluku nájdete v časti *Technické údaje na strane 299*.

Huskvarna, 2024-02-01

Pán Stefan Holmberg, riaditeľ výskumu a vývoja, oddelenie riadenia technológií, Husqvarna AB, Švédsko

Zodpovedný za technickú dokumentáciu

Περιεχόμενα

Εισαγωγή.....	303	Αντιμετώπιση προβλημάτων.....	314
Ασφάλεια.....	304	Μεταφορά, αποθήκευση και απόρριψη.....	314
Συναρμολόγηση.....	311	Τεχνικά στοιχεία.....	315
Λειτουργία.....	311	Αξεσουάρ.....	316
Συντήρηση.....	313	Δήλωση Συμμόρφωσης.....	318

Εισαγωγή

Προβλεπόμενη χρήση

Αυτή η μονάδα παροχής ισχύος είναι μια μονάδα χωρίς εξοπλισμό, η οποία λειτουργεί μόνο σε συνδυασμό με

εγκεκριμένα εξαρτήματα, βλ. τα εγκεκριμένα εξαρτήματα στην ενότητα *Αξεσουάρ στη σελίδα 316*. Βεβαιωθείτε ότι έχετε διαβάσει το παρόν εγχειρίδιο μαζί με το εγχειρίδιο των εγκεκριμένων εξαρτημάτων.

Επισκόπηση προϊόντος

(Εικ. 1)

1. Εγχειρίδιο χρήσης
2. Εξάγωνο κλειδί 4 mm
3. Χειρολαβή τύπου βρόχου
4. Χειρόβιδα
5. Κουμπί On/Off
6. Κουμπί τρόπου λειτουργίας για ρύθμιση της ταχύτητας
7. Ασφάλεια σκανδάλης γκαζιού
8. Στοιχεία αλληλεπίδρασης με τον χρήστη
9. Σκανδάλη γκαζιού
10. Φορτιστής μπαταρίας (αξεσουάρ)
11. Φόρτιση και ένδειξη σφάλματος στον φορτιστή
12. Κουμπιά απελευθέρωσης μπαταρίας
13. Μπαταρία (αξεσουάρ)
14. Ενδεικτική λυχνία LED για την κατάσταση φόρτισης
15. Λυχνία LED προειδοποίησης
16. Κουμπί ένδειξης μπαταρίας
17. Σύνδεσμος για εξάρτημα

(Εικ. 3) Αποσυνδέστε την μπαταρία πριν από τη συντήρηση.

(Εικ. 4) Ονομαστική τάση, V

(Εικ. 5) Συνεχές ρεύμα.

(Εικ. 6) Το προϊόν συμμορφώνεται με τις ισχύουσες οδηγίες ΕΚ.

(Εικ. 7) Τα σύμβολα που βρίσκονται επάνω στο προϊόν ή στη συσκευασία του υποδεικνύουν ότι δεν είναι δυνατός ο χειρισμός του παρόντος προϊόντος ως οικιακού απόβλητου. Αυτό το προϊόν πρέπει να απορρίπτεται σε κατάλληλη εγκατάσταση ανακύκλωσης.

(Εικ. 8) Το προϊόν διαθέτει προστασία από εκτινασσόμενο νερό.

Περιεχόμενα Η μπαταρία και ο φορτιστής μπαταρίας μπορεί να διαφέρουν μεταξύ των διαφορετικών μοντέλων.

yyyywwxxxx

Η πινακίδα στοιχείων δείχνει τον αριθμό σειράς. Το **yyyy** είναι το έτος παραγωγής, το **ww** είναι η εβδομάδα παραγωγής και το **xxxx** είναι ο αλληλοδιάδοχος αριθμός.

Σύμβολα στο προϊόν

(Εικ. 2) **ΠΡΟΕΙΔΟΠΟΙΗΣΗ!** Αυτό το προϊόν μπορεί να είναι επικίνδυνο! Η απρόσεκτη ή λανθασμένη χρήση μπορεί να προκαλέσει σοβαρό ή ακόμη και θανατηφόρο τραυματισμό του χειριστή ή άλλων ατόμων. Είναι ιδιαίτερα σημαντικό να διαβάσετε και να κατανοήσετε το περιεχόμενο του εγχειριδίου χρήσης. Διαβάστε το εγχειρίδιο χρήσης προσεκτικά και βεβαιωθείτε ότι έχετε κατανοήσει τις οδηγίες προτού χρησιμοποιήσετε το προϊόν.

Περιεχόμενα Άλλα σύμβολα/σήματα που υπάρχουν στο προϊόν αναφέρονται σε απαιτήσεις πιστοποίησης για άλλες εμπορικές περιοχές.

Κατασκευαστής

Husqvarna AB

Drottninggatan 2, SE-561 82 Huskvarna, Sweden, tel: +46-36-146500

Ζημιά στο προϊόν

Δεν φέρουμε ευθύνη για ζημιές στο προϊόν μας εάν:

- Το προϊόν έχει επισκευαστεί λανθασμένα.
- Το προϊόν έχει επισκευαστεί με εξαρτήματα που δεν προέρχονται από τον κατασκευαστή ή που δεν έχουν εγκριθεί από τον κατασκευαστή.
- Το προϊόν διαθέτει ένα αξεσουάρ που δεν προέρχεται από τον κατασκευαστή ή που δεν έχει εγκριθεί από τον κατασκευαστή.
- Το προϊόν δεν έχει επισκευαστεί σε εγκεκριμένο κέντρο σέρβις ή από εγκεκριμένη αρχή.

Υποστήριξη

Για υποστήριξη σχετικά με το προϊόν, μεταβείτε στην ενότητα "Υποστήριξη" στη διεύθυνση για να αποκτήσετε πρόσβαση σε οδηγίες, οδηγούς επίλυσης προβλημάτων ή για να χρησιμοποιήσετε το Self-Service και τον Βοηθό για τα προϊόντα της Husqvarna (εάν είναι διαθέσιμος στην αγορά σας). Για περισσότερη υποστήριξη σχετικά με το προϊόν, απευθυνθείτε στον αντιπρόσωπο σέρβις της Husqvarna.

Ασφάλεια

Ορισμοί για την ασφάλεια

Για την επισήμανση ειδικών σημαντικών τμημάτων του εγχειριδίου χρησιμοποιούνται προειδοποιήσεις, συστάσεις προσοχής και σημειώσεις.



ΠΡΟΕΙΔΟΠΟΙΗΣΗ: Χρησιμοποιείται όταν υπάρχει κίνδυνος τραυματισμού ή θανάτου του χειριστή ή άλλων παριστάμενων ατόμων, αν δεν τηρηθούν οι οδηγίες που παρέχονται στο εγχειρίδιο.



ΠΡΟΣΟΧΗ: Χρησιμοποιείται όταν υπάρχει κίνδυνος πρόκλησης ζημιάς στο προϊόν, σε άλλα υλικά ή στον παρακείμενο χώρο, αν δεν τηρηθούν οι οδηγίες που παρέχονται στο εγχειρίδιο.

Περιεχόμενα Χρησιμοποιείται για παροχή περισσότερων πληροφοριών, οι οποίες χρειάζονται σε μια δεδομένη κατάσταση.

Γενικές προειδοποιήσεις ασφαλείας ηλεκτρικού εργαλείου



ΠΡΟΕΙΔΟΠΟΙΗΣΗ: Βεβαιωθείτε ότι έχετε διαβάσει το εγχειρίδιο των εγκεκριμένων εξαρτημάτων μαζί με το παρόν εγχειρίδιο για τη μονάδα παροχής ισχύος.



ΠΡΟΕΙΔΟΠΟΙΗΣΗ: Διαβάστε όλες τις προειδοποιήσεις, τις οδηγίες, τις εικόνες και τις προδιαγραφές ασφαλείας που παρέχονται με αυτό το ηλεκτρικό εργαλείο. Η μη τήρηση όλων των οδηγιών που αναφέρονται παρακάτω μπορεί να προκαλέσει ηλεκτροπληξία, πυρκαγιά ή/και σοβαρό τραυματισμό.

Περιεχόμενα Φυλάξτε τις προειδοποιήσεις και τις οδηγίες για μελλοντική αναφορά. Ο όρος "ηλεκτρικό εργαλείο" που χρησιμοποιείται στις προειδοποιήσεις αναφέρεται στο εργαλείο που τροφοδοτείται από το δίκτυο ρεύματος (με καλώδιο) ή στο εργαλείο που τροφοδοτείται από μπαταρία (χωρίς καλώδιο).

Ασφάλεια στον χώρο εργασίας

- **Διατηρείτε τον χώρο εργασίας καθαρό και με καλό φωτισμό.** Οι ακατάστατοι ή σκοτεινοί χώροι ενέχουν τον κίνδυνο ατυχημάτων.
- **Μην χρησιμοποιείτε τα μηχανήματα σε εκρηκτικές ατμόσφαιρες, π.χ. παρουσία εύφλεκτων υγρών, αερίων ή σκόνης.** Τα μηχανήματα δημιουργούν σπινθήρες, οι οποίοι μπορεί να προκαλέσουν ανάφλεξη της σκόνης ή των αναθυμιάσεων.
- **Όταν χειρίζεστε ένα μηχανήμα, δεν πρέπει να βρίσκονται κοντά παιδιά ή άλλα παριστάμενα άτομα.** Ενδέχεται να αποσπάσουν την προσοχή σας, με αποτέλεσμα να χάσετε τον έλεγχο.

Ασφάλεια με το ηλεκτρικό ρεύμα

- **Τα βύσματα του μηχανήματος πρέπει να ταιριάζουν στην πρίζα. Μην τροποποιείτε ποτέ το βύσμα. Μην χρησιμοποιείτε βύσματα προσαρμογών με γειωμένα μηχανήματα.** Η χρήση μη τροποποιημένων φις και συμβατών πριζών μειώνει τον κίνδυνο ηλεκτροπληξίας.
- **Αποφεύγετε την επαφή του σώματος με γειωμένες επιφάνειες, όπως σωλήνες, καλοριφέρ, κουζίνες και ψυγεία.** Υπάρχει αυξημένος κίνδυνος ηλεκτροπληξίας, εάν το σώμα σας έρθει σε επαφή με γείωση.
- **Μην εκθέτετε τα μηχανήματα σε συνθήκες βροχής ή υγρασίας.** Σε περίπτωση εισχώρησης νερού στο μηχανήμα, αυξάνεται ο κίνδυνος ηλεκτροπληξίας.
- **Μην προκαλείτε φθορά στο καλώδιο. Μην χρησιμοποιείτε ποτέ το καλώδιο για τη μεταφορά, το τράβηγμα ή την αποσύνδεση του μηχανήματος. Φυλάσσετε το καλώδιο μακριά από θερμότητα, λάδια, αιχμηρές άκρες ή κινούμενα εξαρτήματα.** Εάν το καλώδιο καταστραφεί ή εμπλακεί, αυξάνεται ο κίνδυνος ηλεκτροπληξίας.

- Όταν χρησιμοποιείτε ένα μηχανήμα σε εξωτερικό χώρο, χρησιμοποιείτε καλώδιο προέκτασης που είναι κατάλληλο για χρήση σε εξωτερικό χώρο. Η χρήση καλωδίου κατάλληλου για εξωτερικό χώρο μειώνει τον κίνδυνο ηλεκτροπληξίας.
- Αν η χρήση ενός μηχανήματος σε χώρο με υγρασία είναι αναπόφευκτη, χρησιμοποιήστε μια παροχή ρεύματος με διάταξη προστασίας από ρεύματα διαρροής (RCD). Η χρήση μιας διάταξης RCD μειώνει τον κίνδυνο ηλεκτροπληξίας.

Προσωπική ασφάλεια

- **Να είστε σε εγρήγορση, να προσέχετε τι κάνετε και να χρησιμοποιείτε την κοινή λογική όταν χρησιμοποιείτε ένα μηχανήμα. Μην χρησιμοποιείτε τα μηχανήματα όταν είστε κουρασμένοι ή υπό την επίδραση ναρκωτικών, αλκοόλ ή φαρμάκων.** Μια στιγμή απροσεξίας κατά τον χειρισμό των μηχανημάτων μπορεί να προκαλέσει σε σοβαρό τραυματισμό.
- **Πρέπει να χρησιμοποιείτε προσωπικό εξοπλισμό προστασίας. Φοράτε πάντοτε προστατευτικά γυαλιά.** Ο εξοπλισμός προστασίας, όπως προστατευτική μάσκα αναπνοής, αντιολισθητικά παπούτσια ασφαλείας, κράνος ή προστατευτικά ακοής σε κατάλληλες συνθήκες, μειώνει τον κίνδυνο τραυματισμών.
- **Φροντίστε ώστε να μην είναι εφικτή η ακούσια εκκίνηση. Βεβαιωθείτε ότι ο διακόπτης βρίσκεται στη θέση απενεργοποίησης προτού συνδέσετε το μηχανήμα στην πηγή τροφοδοσίας ή/και στη συστοιχία μπαταριών και προτού πάσετε ή μεταφέρετε το μηχανήμα.** Η μεταφορά των μηχανημάτων, ενώ έχετε το χέρι σας στον διακόπτη, ή η σύνδεση ενεργοποιημένων μηχανημάτων σε πρίζα ενέχει κίνδυνο ατυχημάτων.
- **Αφαιρέστε τυχόν κλειδιά ρύθμισης ή σύσφιξης, προτού ενεργοποιήσετε το μηχανήμα.** Ένα κλειδί σύσφιξης ή ρύθμισης που παραμένει προσαρτημένο σε κινούμενο μέρος του μηχανήματος μπορεί να προκαλέσει τραυματισμό.
- **Μην τεντώνετε υπερβολικά. Να πατάτε καλά τα πόδια σας και να διατηρείτε την ισορροπία σας συνέχεια.** Έτσι επιτυγχάνεται ο καλύτερος έλεγχος του μηχανήματος σε τυχόν απρόβλεπτες καταστάσεις.
- **Φοράτε κατάλληλα ρούχα. Μην φοράτε φαρδιά ρούχα ή κοσμήματα. Φροντίστε τα μαλλιά και τα ρούχα σας να βρίσκονται σε απόσταση από τα κινούμενα εξαρτήματα.** Τα φαρδιά ρούχα, τα κοσμήματα ή τα μακριά μαλλιά ενδέχεται να πιαστούν σε κινούμενα μέρη.
- **Εάν παρέχονται διατάξεις για τη σύνδεση συστημάτων συλλογής και απομάκρυνσης σκόνης, βεβαιωθείτε ότι αυτές έχουν συνδεθεί και χρησιμοποιούνται σωστά.** Χρησιμοποιείτε σύστημα συλλογής σκόνης για να μειώσετε τους κινδύνους που σχετίζονται με τη σκόνη.
- **Ακόμη και αν χρησιμοποιείτε συχνά τα μηχανήματα και είστε εξοικειωμένοι με αυτά, μην επαναπαύεστε**

και μην παραβλέπετε τις αρχές ασφαλείας των μηχανημάτων. Μια απρόσεκτη ενέργεια μπορεί να προκαλέσει σοβαρό τραυματισμό σε κλάσμα του δευτερολέπτου.

Χρήση και φροντίδα του μηχανήματος

- **Μην ασκείτε δύναμη στο μηχανήμα. Χρησιμοποιείτε το σωστό μηχανήμα για την εφαρμογή σας.** Το κατάλληλο μηχανήμα θα έχει καλύτερες επιδόσεις και θα προσφέρει μεγαλύτερη ασφάλεια στον βαθμό για τον οποίο έχει σχεδιαστεί.
- **Μην χρησιμοποιείτε το μηχανήμα, εάν δεν μπορεί να ενεργοποιηθεί και να απενεργοποιηθεί με τον διακόπτη.** Ένα μηχανήμα που δεν μπορεί να ελεγχθεί από τον διακόπτη είναι επικίνδυνο και πρέπει να επισκευαστεί.
- **Αποσυνδέστε το βύσμα από την πηγή τροφοδοσίας ή/και αφαιρέστε την μπαταρία, αν είναι αποσπώμενη, από το μηχανήμα πριν από την πραγματοποίηση ρυθμίσεων, την αλλαγή αξεσουάρ ή την αποθήκευση μηχανημάτων.** Αυτά τα μέτρα ασφαλείας αποκλείουν την ενεργοποίηση του ηλεκτρικού εργαλείου κατά λάθος.
- **Φυλάσσετε τα μηχανήματα που βρίσκονται σε αδράνεια μακριά από παιδιά και απαγορεύστε τη χρήση των μηχανημάτων σε άτομα που δεν είναι εξοικειωμένα με αυτά ή με τις οδηγίες.** Τα μηχανήματα είναι επικίνδυνα στα χέρια μη εκπαιδευμένων χρηστών.
- **Συντηρείτε τα μηχανήματα και τα αξεσουάρ. Ελέγξτε το μηχανήμα για τυχόν λανθασμένη ευθυγράμμιση ή κινούμενα εξαρτήματα που μαγκώνουν, σπασμένα εξαρτήματα ή άλλες καταστάσεις που μπορεί να επηρεάσουν τη λειτουργία του μηχανήματος. Σε περίπτωση ζημιάς, φροντίστε για την επισκευή του μηχανήματος προτού το χρησιμοποιήσετε.** Πολλά ατυχήματα προκαλούνται από μηχανήματα που δεν συντηρούνται σωστά.
- **Διατηρείτε τα εργαλεία κοπής αιχμηρά και καθαρά.** Αν τα μηχανήματα κοπής συντηρούνται σωστά, με αιχμηρές άκρες κοπής, είναι λιγότερο πιθανή η εμπλοκή τους και πιο εύκολος ο έλεγχός τους.
- **Χρησιμοποιείτε το μηχανήμα, τα αξεσουάρ και τις κεφαλές σύμφωνα με τις οδηγίες αυτές, λαμβάνοντας υπόψη τις συνθήκες εργασίας και την εργασία που πρέπει να εκτελεστεί.** Η χρήση του μηχανήματος για εργασίες διαφορετικές από αυτές για τις οποίες προορίζεται μπορεί να προκαλέσει επικίνδυνες καταστάσεις.
- **Διατηρήστε τις χειρολαβές και τις επιφάνειες κρατήματος στεγνές και καθαρές, χωρίς λάδια και γράσο.** Οι ολισθηρές λαβές και επιφάνειες λαβών δεν επιτρέπουν τον ασφαλή χειρισμό και έλεγχο του ηλεκτρικού εργαλείου σε απρόβλεπτες καταστάσεις.

Χρήση και φροντίδα του μηχανήματος μπαταρίας

- **Να επαναφορτίζετε μόνο με το φορτιστή που ορίζεται από τον κατασκευαστή.** Ένας φορτιστής κατάλληλος για έναν τύπο συστοιχίας μπαταριών μπορεί να

δημιουργήσει κίνδυνο φωτιάς κατά τη χρήση με άλλη συστοιχία μπαταριών.

- **Χρησιμοποιείτε μηχανήματα μόνο με τις προδιαγραφόμενες μπαταρίες.** Η χρήση οποιασδήποτε άλλης μπαταρίας μπορεί να προκαλέσει κίνδυνο τραυματισμού και πυρκαγιάς.
- **Όταν η μπαταρία δεν χρησιμοποιείται, πρέπει να την φυλάσσετε μακριά από άλλα μεταλλικά αντικείμενα, όπως συνδετήρες, νομίσματα, κλειδιά, καρφιά, βίδες ή άλλα μικρά μεταλλικά αντικείμενα, που μπορεί να προκαλέσουν ένωση των πόλων.** Η βραχυκύκλωση των ακροδεκτών της μπαταρίας μεταξύ τους μπορεί να προκαλέσει εγκαύματα ή πυρκαγιά.
- **Σε περίπτωση ακατάλληλου χειρισμού, μπορεί να εκπληκτεί υγρό από την μπαταρία. Αποφεύγετε κάθε επαφή. Σε περίπτωση τυχαίας επαφής, ξεπλύνετε με νερό. Εάν το υγρό έρθει σε επαφή με τα μάτια, ζητήστε επίσης ιατρική βοήθεια.** Η εκτόξευση υγρού από την μπαταρία μπορεί να προκαλέσει ερεθισμού ή εγκαύματα.
- **Μην χρησιμοποιείτε μπαταρίες ή μηχανήματα που έχουν υποστεί ζημιά ή τροποποιήσεις.** Οι μπαταρίες που έχουν υποστεί ζημιά ή τροποποίηση μπορεί να παρουσιάσουν απρόβλεπτη συμπεριφορά με αποτέλεσμα να προκληθεί κίνδυνο πυρκαγιάς, έκρηξης ή τραυματισμού.
- **Μην εκθέτε τις μπαταρίες ή τα μηχανήματα σε φωτιά ή υπερβολικά υψηλή θερμοκρασία.** Η έκθεση σε φωτιά ή θερμοκρασίες πάνω από 130 °C/265 °F μπορεί να προκαλέσει έκρηξη.
- **Ακολουθείτε όλες τις οδηγίες φόρτισης και μην φορτίζετε την μπαταρία ή τα εργαλεία εκτός του εύρους θερμοκρασιών που προδιαγράφεται στις οδηγίες.** Η φόρτιση με λανθασμένο τρόπο ή σε θερμοκρασίες εκτός του προδιαγραφόμενου εύρους μπορεί να προκαλέσει ζημιά στην μπαταρία και αυξάνει τον κίνδυνο πυρκαγιάς.

Σέρβις

- **Αναθέστε το σέρβις του μηχανήματός σας σε εξειδικευμένο επισκευαστή. Αυτός επιτρέπεται να χρησιμοποιεί μόνο παανομοίωττα ανταλλακτικά.** Με τον τρόπο αυτόν εξασφαλίζεται η ασφάλεια του μηχανήματος.
- **Μην εκτελείτε εργασίες σέρβις σε κατεστραμμένες μπαταρίες.** Οι εργασίες σέρβις σε μπαταρίες θα πρέπει να εκτελούνται μόνο από τον κατασκευαστή ή από εξουσιοδοτημένα καταστήματα σέρβις.

Άλλες γενικές πληροφορίες για την ασφάλεια

- Απενεργοποιήστε το προϊόν προτού μετακινηθείτε σε άλλη περιοχή. Πρέπει πάντα να αφαιρείτε την μπαταρία όταν παραδίδετε το μηχανήμα σε άλλο πρόσωπο.
- Μην αφήνετε ποτέ το προϊόν στο έδαφος εάν δεν το έχετε απενεργοποιήσει και δεν έχετε αφαιρέσει την μπαταρία. Μην αφήνετε το προϊόν χωρίς επίβλεψη όταν είναι ενεργοποιημένο.
- Το εργαλείο κοπής δεν σταματά αμέσως με την απενεργοποίηση του προϊόντος.

- Πριν από τη χρήση του προϊόντος και μετά από τυχόν πρόσκρουση, ελέγξτε για ενδείξεις φθοράς ή ζημιάς και επισκευάστε όπως απαιτείται.
- Εάν εμπλακεί οποιοδήποτε αντικείμενο στο εξάρτημα κοπής ενώ χρησιμοποιείτε το προϊόν, σταματήστε και απενεργοποιήστε το προϊόν. Βεβαιωθείτε ότι το εξάρτημα κοπής έχει σταματήσει εντελώς. Αφαιρέστε την μπαταρία πριν από τον καθαρισμό, την επιθεώρηση ή την επισκευή του προϊόντος ή/και του εξοπλισμού κοπής.
- Ελέγξτε το προϊόν προτού το χρησιμοποιήσετε. Ανατρέξτε στις ενότητες *Συσκευές ασφαλείας στο προϊόν στη σελίδα 308* και *Συντήρηση στη σελίδα 313*. Δεν πρέπει να χρησιμοποιείτε το προϊόν αν έχει υποστεί ζημιά. Πραγματοποιείτε όλους τους ελέγχους ασφαλείας και τηρείτε τις οδηγίες συντήρησης και σέρβις που αναφέρονται στο παρόν εγχειρίδιο.
- Τα ελαττωματικά εξάρτημα κοπής μπορεί να αυξήσουν τον κίνδυνο ατυχημάτων.
- Ελέγξτε τον μηχανισμό για ρύπους και ρωγμές. Καθαρίστε το γρασιδί και τα φύλλα από τον μηχανισμό χρησιμοποιώντας βούρτσα. Φορέστε γάντια όταν χρειάζετα.
- Να βεβαιώνεστε πάντα ότι τα ανοίγματα αερισμού δεν έχουν φράξει από υπολείμματα υλικών.
- Ελέγξτε αν η κεφαλή του χορτοκοπτικού είναι πλήρως συνδεδεμένη στο χορτοκοπτικό.
- Όλα τα καλύμματα, τα προστατευτικά και οι λαβές πρέπει να είναι τοποθετημένα πριν την εκκίνηση.
- Βεβαιωθείτε ότι το μηχανήμα βρίσκεται σε άριστη κατάσταση λειτουργίας. Βεβαιωθείτε ότι όλα τα παξιμάδια και οι βίδες είναι σφιγμένα.
- Ελέγξτε αν η κεφαλή και ο προφυλακτήρας χορτοκοπτικού δεν παρουσιάζουν βλάβες ή ρωγμές. Αντικαταστήστε την κεφαλή ή τον προφυλακτήρα του χορτοκοπτικού, εάν έχουν χτυπηθεί ή παρουσιάζουν ρωγμές. Χρησιμοποιείτε πάντα το συνιστώμενο προστατευτικό για το εξάρτημα κοπής που χρησιμοποιείτε. Ανατρέξτε στην ενότητα *Τεχνικά στοιχεία στη σελίδα 315*.
- Αυτό το προϊόν είναι ένα επικίνδυνο εργαλείο εάν δεν είστε προσεκτικοί ή δεν το χρησιμοποιείτε σωστά. Αυτό το προϊόν μπορεί να προκαλέσει σοβαρό τραυματισμό ή θάνατο του χειριστή ή άλλων ατόμων.
- Αυτό το μηχανήμα δεν προορίζεται για χρήση από άτομα (συμπεριλαμβανομένων των παιδιών) με μειωμένες κινητικές, αισθητήριες ή νοητικές ικανότητες ή από άτομα με έλλειψη γνώσεων και εμπειρίας, εκτός αν τελούν υπό την εποπτεία ή καθοδήγηση ατόμου υπεύθυνου για την ασφάλειά τους αναφορικά με τη χρήση αυτού του μηχανήματος. Τα παιδιά πρέπει να εποπτεύονται ώστε να διασφαλιστεί ότι δεν παίζουν με τη συσκευή.
- Μην επιτρέπετε ποτέ σε παιδιά να χρησιμοποιούν ή να βρίσκονται κοντά στο μηχανήμα. Δεδομένου ότι η εκκίνηση του μηχανήματος είναι εύκολη, τα παιδιά μπορεί να το θέσουν σε λειτουργία εάν δεν βρίσκονται υπό συνεχή επιτήρηση. Αυτό μπορεί να οδηγήσει σε σοβαρό τραυματισμό. Συνεπώς,

- αποσυνδέετε την μπαταρία, όταν το μηχανήμα δεν βρίσκεται υπό στενή εποπτεία.
- Μην επιτρέπετε ποτέ σε παιδιά ή άλλα μη εκπαιδευμένα σχετικά με τη χρήση του προϊόντος ή της μπαταρίας άτομα να χρησιμοποιούν το μηχανήμα ή/και την μπαταρία ή να πραγματοποιούν εργασίες συντήρησης σε αυτό.
 - Αποθηκεύστε τον εξοπλισμό σε χώρο που κλειδώνει, ώστε να μην έχουν πρόσβαση παιδιά και μη εξουσιοδοτημένα άτομα.
 - Το κάλυμμα μεταφοράς πρέπει να χρησιμοποιείται πάντα για την αποθήκευση και τη μεταφορά.
 - Διατηρείτε πάντα τα χέρια και τα πόδια σας μακριά από την περιοχή κοπής, ιδιαίτερα κατά την ενεργοποίηση του κινητήρα.
 - Φροντίστε τα χέρια και τα πόδια σας να βρίσκονται σε απόσταση από το εξάρτημα κοπής μέχρι να σταματήσει εντελώς όταν το προϊόν απενεργοποιηθεί.
 - Μην αφαιρείτε το υλικό κοπής ή μην επιτρέπετε σε άλλα άτομα να αφαιρούν το υλικό κοπής, όταν το προϊόν είναι ενεργοποιημένο ή όταν ο εξοπλισμός κοπής περιστρέφεται, καθώς αυτό μπορεί να προκαλέσει σοβαρό τραυματισμό.
 - Να θυμάστε ότι εσείς, ο χειριστής, είστε υπεύθυνος για τη μη έκθεση ανθρώπων ή αντικειμένων σε ατυχήματα ή κινδύνους.
 - Δεν επιτρέπονται, σε καμία περίπτωση, τροποποιήσεις στη σχεδίαση του προϊόντος χωρίς την έγκριση του κατασκευαστή. Πρέπει πάντα να χρησιμοποιείτε γνήσια αξεσουάρ. Η μη εξουσιοδοτημένη εκτέλεση τροποποιήσεων ή/και η χρήση μη γνήσιων αξεσουάρ μπορεί να οδηγήσει σε σοβαρό προσωπικό τραυματισμό ή θάνατο του χειριστή ή άλλων ατόμων. Η εγγύηση μπορεί να μην καλύπτει ζημιές ή νομικές ευθύνες που μπορεί να προκύψουν από τη χρήση μη εγκεκριμένων αξεσουάρ ή ανταλλακτικών.
 - Τα μόνα αξεσουάρ που μπορείτε να χρησιμοποιήσετε με αυτό το προϊόν είναι τα εξαρτήματα κοπής που συνιστώνται στο κεφάλαιο Αξεσουάρ. Ανατρέξτε στην ενότητα *Αξεσουάρ στη σελίδα 316*.
 - Μην χρησιμοποιείτε ποτέ το προϊόν εάν έχει τροποποιηθεί με οποιονδήποτε τρόπο από τις αρχικές προδιαγραφές του
 - Μην χρησιμοποιείτε ποτέ το προϊόν εάν παρουσιάζει πρόβλημα. Εκτελείτε όλους τους ελέγχους ασφαλείας και τηρείτε τις οδηγίες συντήρησης και επισκευής που αναφέρονται στο παρόν εγχειρίδιο. Μερικά μέτρα συντήρησης και επισκευής πρέπει να εκτελούνται από εκπαιδευμένο και ειδικευμένο προσωπικό. Δείτε τις οδηγίες στην ενότητα με τίτλο Συντήρηση.
 - Η εργασία με άσχημες καιρικές συνθήκες είναι κοινά κινδυνώδης και συχνά επιφέρει πρόσθετο κίνδυνο. Λόγω του πρόσθετου κινδύνου, δεν συνιστάται η χρήση του προϊόντος σε πολύ δυσμενείς καιρικές συνθήκες, π.χ. σε πυκνή ομίχλη, δυνατή βροχή, ισχυρούς ανέμους, έντονο ψύχος, όταν υπάρχει κίνδυνος πτώσης κεραυνών κ.λπ.
 - Μην εργάζεστε ποτέ σε σκάλα, σκαμνί ή άλλη ανυψωμένη θέση η οποία δεν είναι απόλυτα ασφαλής.
 - Αποθηκεύστε τις ανενεργές συσκευές σε εσωτερικό χώρο - Οι συσκευές θα πρέπει να αποθηκεύονται σε εσωτερικό χώρο όταν δεν χρησιμοποιούνται
 - Δεν είναι δυνατό να καλυφθούν όλες οι περιπτώσεις που ενδέχεται να συναντήσετε. Πρέπει πάντα να είστε προσεκτικοί και να χρησιμοποιείτε την κοινή λογική. Αποφεύγετε καταστάσεις τις οποίες θεωρείτε πέραν των δυνατοτήτων σας. Αν δεν είστε σίγουροι για τις διαδικασίες χειρισμού, αφού διαβάσετε αυτές τις οδηγίες, θα πρέπει να συμβουλευτείτε κάποιον ειδικό πριν συνεχίσετε.
 - Βεβαιωθείτε ότι δεν υπάρχουν άτομα ή ζώα σε απόσταση μικρότερη από 15 μέτρα (50 πόδια) κατά τη διάρκεια της εργασίας. Όταν εργάζονται πολλοί χειριστές στην ίδια περιοχή, η απόσταση ασφαλείας πρέπει να είναι τουλάχιστον 15 μέτρα (50 πόδια). Διαφορετικά υπάρχει κίνδυνος σοβαρού τραυματισμού. Εάν πλησιάσει κάποιος, απενεργοποιήστε αμέσως το προϊόν. Μην περιστρέφετε ποτέ το προϊόν προς καμία κατεύθυνση, εάν δεν ελέγξετε πρώτα πίσω σας για να βεβαιωθείτε ότι δεν υπάρχει κανείς εντός της ζώνης ασφαλείας.
 - Βεβαιωθείτε ότι άτομα, ζώα ή άλλοι παράγοντες δεν μπορούν να επηρεάσουν τον έλεγχο του προϊόντος και ότι δεν έρχονται σε επαφή με το εξάρτημα κοπής ή με αντικείμενα που εκσφενδονίζονται από το εξάρτημα κοπής. Ωστόσο, μην χρησιμοποιείτε το προϊόν παρά μόνο όταν έχετε τη δυνατότητα να καλέσετε βοήθεια σε περίπτωση ατυχήματος.
 - Βεβαιωθείτε ότι μπορείτε να κινηθείτε και να σταθείτε όρθιοι με ασφάλεια. Ελέγξτε την περιοχή γύρω σας για πιθανά εμπόδια (ρίζες, βράχια, κλαδιά, χαντάκια κ.λπ.) για την περίπτωση που χρειαστεί να μετακινήσετε ξαφνικά. Να είστε ιδιαίτερα προσεκτικοί όταν εργάζεστε σε έδαφος με κλίση.
 - Περπατάτε, ποτέ μην τρέχετε.
 - Επιθεωρήστε τον χώρο εργασίας. Απομακρύνετε όλα τα ελεύθερα αντικείμενα, όπως πέτρες, σπασμένα γυαλιά, ασφάλινα σύρματα, σχονιά κ.λπ. που μπορεί να εκτοξευθούν ή να τυλιχτούν γύρω από το κοπτικό εργαλείο ή τον προφυλακτήρα του κοπτικού εργαλείου.
 - Προσέχετε για κομμένα υπολείμματα κλαδιών που μπορεί να εκτιναχθούν κατά την κοπή. Μην κόβετε πολύ κοντά στο έδαφος όπου μπορεί να εκτοξευτούν πέτρες ή άλλα αντικείμενα.
 - Βεβαιωθείτε ότι τα ρούχα ή τα μέρη του σώματός σας δεν έρχονται σε επαφή με το εξάρτημα κοπής όταν το προϊόν είναι ενεργοποιημένο. Διατηρείτε το προϊόν κάτω από το ύψος της μέσης σας.
 - Να προσέχετε τυχόν αντικείμενα που εκτοξεύονται. Φοράτε πάντα εγκεκριμένο εξοπλισμό για την προστασία των ματιών. Μην σκύβετε ποτέ πάνω από το προστατευτικό του εξαρτήματος κοπής. Υπάρχει

κίνδυνος να εκσφενδονιστούν πέτρες, σκουπίδια, κ.λπ. στα μάτια σας, προκαλώντας τύφλωση ή σοβαρό τραυματισμό.

- Να επιδεικνύετε ιδιαίτερη προσοχή για τυχόν προειδοποιητικά σήματα ή κραυγές όταν φοράτε τα προστατευτικά ακοής. Βγάζετε πάντα τα προστατευτικά ακοής μόλις σταματήσει το προϊόν.
- Σε περίπτωση ανεπιθύμητων κραδασμών, απελευθερώστε πρόσθετη μεσινέζα ώστε η μεσινέζα να έχει το σωστό μήκος για να σταματήσουν οι κραδασμοί.
- Εάν εμφανιστούν ασυνήθιστοι κραδασμοί, σταματήστε το προϊόν και αφαιρέστε την μπαταρία.
- Η υπερέκθεση σε κραδασμούς μπορεί να προκαλέσει βλάβη στο κυκλοφορικό ή νευρικό σύστημα σε άτομα με βεβαρημένο κυκλοφορικό. Αν αισθανθείτε συμπτώματα υπερέκθεσης σε κραδασμούς, επικοινωνήστε με τον γιατρό σας. Παραδείγματα τέτοιων συμπτωμάτων είναι το μούδιασμα, η απώλεια αίσθησης, οι σουβλιές, ο πόνος, η μυϊκή ατονία και η αλλαγή στο χρώμα ή την κατάσταση του δέρματος. Τα συμπτώματα αυτά συνήθως εμφανίζονται στα δάχτυλα, τις παλάμες ή τους καρπούς.
- Να κρατάτε πάντα το προϊόν και με τα δύο χέρια. Να κρατάτε το προϊόν στη δεξιά πλευρά του σώματος σας.

Προσωπικός εξοπλισμός προστασίας



ΠΡΟΕΙΔΟΠΟΙΗΣΗ: Προτού χρησιμοποιήσετε το προϊόν, διαβάστε τις παρακάτω προειδοποιητικές οδηγίες.

- Όταν χρησιμοποιείτε το προϊόν, να φοράτε πάντα εγκεκριμένο προσωπικό εξοπλισμό προστασίας. Ο προσωπικός εξοπλισμός προστασίας δεν μπορεί να εξαλείψει τον κίνδυνο τραυματισμών, ωστόσο μειώνει τη σοβαρότητά τους σε περίπτωση ατυχήματος. Ο αντιπρόσωπος θα σας βοηθήσει να επιλέξετε το σωστό εξοπλισμό.
- Να χρησιμοποιείτε κράνος προστασίας στις περιπτώσεις όπου υπάρχει κίνδυνος πτώσης αντικειμένων.
- Να χρησιμοποιείτε εγκεκριμένα προστατευτικά ακοής που παρέχουν επαρκή μείωση θορύβου. Η μακροχρόνια έκθεση στο θόρυβο μπορεί να προκαλέσει μόνιμη βλάβη στην ακοή.
- Πρέπει να χρησιμοποιείτε εγκεκριμένα μέσα προστασίας των ματιών. Εάν χρησιμοποιείτε προστατευτικό γέισο, πρέπει επίσης να χρησιμοποιείτε πάντα εγκεκριμένα προστατευτικά γυαλιά. Τα εγκεκριμένα προστατευτικά γυαλιά πρέπει να συμμορφώνονται με το πρότυπο ANSI Z87.1 στις Η.Π.Α. ή το πρότυπο EN 166 στις χώρες της Ε.Ε.
- Χρησιμοποιήστε προστατευτικό γέισο για την προστασία του προσώπου. Το προστατευτικό γέισο δεν επαρκεί για την προστασία των ματιών.

(Εικ. 9)

- Όταν χρειάζεται, να χρησιμοποιείτε γάντια, για παράδειγμα κατά την τοποθέτηση, την επιθεώρηση ή τον καθαρισμό του εξοπλισμού κοπής.
- Φοράτε ανθεκτικές και αντιολισθητικές μπότες.
- Να φοράτε ρούχα από ανθεκτικό ύφασμα. Να φοράτε πάντα ανθεκτικό μακρύ παντελόνι και μακριά μανίκια. Να μην φοράτε φαρδιά ρούχα που μπορεί να πιαστούν σε κλωνάρια και κλαδιά. Να μην φοράτε κοσμήματα, κοντά παντελόνια, σανδάλια και να μην είστε ξυπόλυτοι. Να δένετε τα μαλλιά σας με ασφάλεια πάνω από το ύψος των ώμων.

(Εικ. 10)

- Να φροντίζετε να υπάρχει εξοπλισμός πρώτων βοηθειών σε κοντινή απόσταση.

(Εικ. 11)

Συσκευές ασφαλείας στο προϊόν



ΠΡΟΕΙΔΟΠΟΙΗΣΗ: Προτού χρησιμοποιήσετε το προϊόν, διαβάστε τις παρακάτω προειδοποιητικές οδηγίες.

Σε αυτή την ενότητα περιγράφονται τα χαρακτηριστικά ασφαλείας του προϊόντος, ο σκοπός του καθώς και ο τρόπος διεξαγωγής των ελέγχων και της συντήρησης για τη διασφάλιση της σωστής λειτουργίας του. Διαβάστε τις οδηγίες κάτω από την επικεφαλίδα *Εισαγωγή στη σελίδα 303* για να βρείτε πού βρίσκονται αυτά τα εξαρτήματα στο προϊόν σας.

Η διάρκεια ζωής του προϊόντος μπορεί να μειωθεί και ο κίνδυνος ατυχημάτων να αυξηθεί, εάν η συντήρηση του προϊόντος δεν πραγματοποιείται σωστά και εάν το σέρβις ή/και οι επισκευές δεν εκτελούνται επαγγελματικά. Εάν χρειαστείτε περισσότερες πληροφορίες, επικοινωνήστε με τον πλησιέστερο αντιπρόσωπο σέρβις.



ΠΡΟΕΙΔΟΠΟΙΗΣΗ: Μην χρησιμοποιείτε ποτέ ένα προϊόν με φθαρμένα εξαρτήματα ασφαλείας. Ο εξοπλισμός ασφαλείας του προϊόντος πρέπει να επιθεωρείται και να συντηρείται όπως περιγράφεται σε αυτήν την ενότητα. Εάν το προϊόν αποτύχει σε οποιοδήποτε από αυτούς τους ελέγχους, επικοινωνήστε με τον αντιπρόσωπο σέρβις για την επισκευή του.



ΠΡΟΣΟΧΗ: Όλες οι εργασίες σέρβις και επισκευές στο μηχάνημα απαιτούν ειδική εκπαίδευση. Αυτό ισχύει ιδιαίτερα για τον εξοπλισμό ασφαλείας του μηχανήματος. Εάν το μηχάνημά σας αποτύχει σε κάποιον από αυτούς τους ελέγχους που περιγράφονται παρακάτω, επικοινωνήστε με τον αντιπρόσωπο σέρβις. Όταν αγοράζετε οποιοδήποτε από τα προϊόντα μας, εγγυώμαστε τη διαθεσιμότητα επαγγελματικών επισκευών και σέρβις. Εάν

το κατάστημα λιανικής πώλησης από όπου προμηθευτήκατε το μηχάνημα δεν είναι αντιπρόσωπος σέρβις, ζητήστε από το κατάστημα τη διεύθυνση του πλησιέστερου αντιπροσώπου σέρβις.

Έλεγχος του περιβάλλοντος εργασίας χρήστη

1. Πατήστε παρατεταμένα το κουμπί On/Off (A). (Εικ. 12)
 - a) Το προϊόν είναι ενεργοποιημένο, όταν η οθόνη (B) είναι αναμμένη.
 - b) Το προϊόν είναι απενεργοποιημένο, όταν η οθόνη είναι σβηστή.
2. Αν η προειδοποιητική ένδειξη στην οθόνη ανάψει ή αρχίσει να αναβοσβήνει, ανατρέξτε στην ενότητα *Πληκτρολόγιο στη σελίδα 314*.

Έλεγχος της ασφάλειας της σκανδάλης γκαζιού

Η ασφάλεια της σκανδάλης γκαζιού είναι έτσι σχεδιασμένη ώστε να αποτρέπει την τυχαία λειτουργία. Όταν πιέζετε την ασφάλεια της σκανδάλης γκαζιού προς τα εμπρός (A) και, στη συνέχεια, πιέζετε την ασφάλεια της σκανδάλης γκαζιού πάνω στη λαβή (B), η σκανδάλη γκαζιού (C) απελευθερώνεται. Όταν απελευθερώνετε τη λαβή, η σκανδάλη γκαζιού και η ασφάλεια της σκανδάλης γκαζιού μετακινούνται προς τα πίσω στην αρχική τους θέση. Αυτή η κίνηση εκτελείται από τρία ανεξάρτητα ελατήρια. (Εικ. 13)

1. Βεβαιωθείτε ότι η σκανδάλη γκαζιού είναι ασφαλισμένη, όταν η ασφάλεια βρίσκεται στην αρχική της θέση. (Εικ. 14)
2. Πιέστε την ασφάλεια της σκανδάλης γκαζιού προς τα εμπρός (A) και προς τα κάτω. Κρατήστε την ασφάλεια της σκανδάλης γκαζιού πάνω στη λαβή (B) και βεβαιωθείτε ότι επιστρέφει στην αρχική της θέση όταν την αφήνετε. (Εικ. 15)
3. Βεβαιωθείτε ότι η σκανδάλη γκαζιού και η ασφάλεια της σκανδάλης γκαζιού κινούνται ελεύθερα και ότι το ελατήριο επαναφοράς λειτουργεί κανονικά. (Εικ. 16)
4. Πατήστε το κουμπί On/Off για να ενεργοποιήσετε το προϊόν.
5. Πιέστε τέρμα τη σκανδάλη γκαζιού για μέγιστη ταχύτητα.
6. Αφήστε τη σκανδάλη γκαζιού και βεβαιωθείτε ότι το παρεκόμενο κοπής σταματά και παραμένει ακινητοποιημένο.

Οδηγίες ασφαλείας για τη συναρμολόγηση



ΠΡΟΕΙΔΟΠΟΙΗΣΗ: Διαβάστε το παρόν εγχειρίδιο της μονάδας παροχής ισχύος μαζί με το εγχειρίδιο του εγκεκριμένου εξαρτήματος.

- Αφαιρέστε την μπαταρία από το προϊόν προτού το συναρμολογήσετε.
- Χρησιμοποιείτε τα εγκεκριμένα προστατευτικά γάντια.
- Ένας κατεστραμμένος ή εσφαλμένος προφυλακτήρας μπορεί να προκαλέσει τραυματισμό. Μην χρησιμοποιείτε ένα εξάρτημα κοπής που δεν διαθέτει προσαρτημένο εγκεκριμένο προφυλακτήρα.
- Φροντίστε να συναρμολογήσετε σωστά το κάλυμμα και τον άξονα προτού εκκινήσετε το προϊόν.
- Εάν το εξάρτημα συνοδεύεται από την εξάρτηση, η εξάρτηση πρέπει να συνδέεται σωστά στο προϊόν. Η εξάρτηση διασφαλίζει την ασφαλή λειτουργία και αποτρέπει τον τραυματισμό του χειριστή ή άλλων ατόμων.

Ασφάλεια μπαταρίας



ΠΡΟΕΙΔΟΠΟΙΗΣΗ: Προτού χρησιμοποιήσετε το προϊόν, διαβάστε τις παρακάτω προειδοποιητικές οδηγίες.

- Χρησιμοποιείτε μόνο εγκεκριμένες μπαταρίες της Husqvarna. Ανατρέξτε στην ενότητα *Εγκεκριμένες μπαταρίες στη σελίδα 316*. Οι μπαταρίες φέρουν κωδικοποίηση λογισμικού.
- Χρησιμοποιείτε μόνο εγκεκριμένες μπαταρίες της Husqvarna ως πηγή ηλεκτρικής ισχύος για τα σχετικά προϊόντα της Husqvarna. Για την αποφυγή τραυματισμών, μην χρησιμοποιείτε την μπαταρία ως πηγή ηλεκτρικής ισχύος για άλλες συσκευές.
- Κίνδυνος ηλεκτροπληξίας. Μην συνδέετε τους ακροδέκτες της μπαταρίας σε κλειδιά, νομίσματα, βίδες ή άλλα μεταλλικά αντικείμενα. Αυτό μπορεί να προκαλέσει βραχυκύκλωμα της μπαταρίας.
- Μην χρησιμοποιείτε μη επαναφορτιζόμενες μπαταρίες.
- Μην τοποθετείτε αντικείμενα μέσα στις εγκοπές αερισμού της μπαταρίας.
- Διατηρείτε την μπαταρία μακριά από την ηλιακή ακτινοβολία, τη θερμότητα ή τις γυμνές φλόγες. Η μπαταρία μπορεί να προκαλέσει εγκαύματα ή/και χημικά εγκαύματα.
- Διατηρείτε την μπαταρία μακριά από συνθήκες βροχής και υγρασίας.
- Διατηρείτε την μπαταρία μακριά από πηγές μικροκυμάτων και υψηλής πίεσης.
- Μην προσπαθήσετε να αποσυναρμολογήσετε ή να διαλύσετε την μπαταρία.
- Αν η μπαταρία εμφανίσει διαρροή, φροντίστε το υγρό να μην έρθει σε επαφή με το δέρμα ή τα μάτια σας. Αν έρθετε σε επαφή με το υγρό, καθαρίστε την περιοχή με άφθονο σαπουνόνερο και ζητήστε ιατρική βοήθεια. Αν έρθει υγρό σε επαφή με τα μάτια σας, μην τα τρίψετε και ξεπλύνετε τα με νερό για τουλάχιστον 15 λεπτά και αναζητήστε ιατρική βοήθεια.
- Χρησιμοποιήστε την μπαταρία σε θερμοκρασίες μεταξύ -10 °C (14 °F) και 40 °C (114 °F).

- Μην καθαρίζετε την μπαταρία ή τον φορτιστή μπαταρίας με νερό. Ανατρέξτε στην ενότητα *Για να καθαρίσετε το προϊόν, την μπαταρία και το φορτιστή της μπαταρίας στη σελίδα 313.*
- Μην χρησιμοποιείτε την μπαταρία εάν έχει υποστεί ζημιά ή δεν λειτουργεί σωστά.
- Φυλάσσετε τις μπαταρίες μακριά από μεταλλικά αντικείμενα, όπως καρφιά, νομίσματα και κοσμήματα.
- Φυλάσσετε την μπαταρία μακριά από παιδιά.

- Ο φορτιστής της μπαταρίας πρέπει να χρησιμοποιείται μόνο σε σημεία όπου η θερμοκρασία είναι μεταξύ 5 °C (41 °F) και 40 °C (104 °F). Χρησιμοποιείτε τον φορτιστή σε περιβάλλον καλά αεριζόμενο, ξηρό και χωρίς σκόνη.
- Μην τοποθετείτε αντικείμενα μέσα στις εγκοπές αερισμού του φορτιστή της μπαταρίας.
- Μην συνδέετε ποτέ τους ακροδέκτες του φορτιστή της μπαταρίας σε μεταλλικά αντικείμενα γιατί μπορεί να προκύψει βραχυκύκλωμα του φορτιστή.
- Χρησιμοποιείτε εγκεκριμένες πρίζες που δεν έχουν υποστεί ζημιά. Βεβαιωθείτε ότι το καλώδιο και ο φορτιστής της μπαταρίας δεν έχουν υποστεί ζημιά. Εάν χρησιμοποιείτε καλώδια επέκτασης, βεβαιωθείτε ότι δεν έχουν υποστεί ζημιά.

Ασφάλεια φορτιστή μπαταρίας



ΠΡΟΕΙΔΟΠΟΙΗΣΗ: Προτού χρησιμοποιήσετε το προϊόν, διαβάστε τις παρακάτω προειδοποιητικές οδηγίες.

- Υπάρχει κίνδυνος ηλεκτροπληξίας ή βραχυκυκλώματος εάν δεν τηρηθούν οι οδηγίες ασφαλείας.
- Μην χρησιμοποιείτε άλλους φορτιστές μπαταρίας εκτός από αυτόν που παρέχεται για το προϊόν σας. Χρησιμοποιείτε μόνο εγκεκριμένους φορτιστές μπαταρίας της Husqvarna για να φορτίσετε εγκεκριμένες μπαταρίες της Husqvarna. Για οδηγίες, ανατρέξτε στην ενότητα *Τεχνικά στοιχεία στη σελίδα 315.*
- Μην επιχειρείτε να αποσυναρμολογήσετε τον φορτιστή μπαταρίας.
- Μην χρησιμοποιείτε φορτιστή μπαταρίας που έχει υποστεί ζημιά ή δεν λειτουργεί σωστά.
- Μην σηκώνετε τον φορτιστή μπαταρίας από το καλώδιο ρεύματος. Για να αποσυνδέσετε τον φορτιστή της μπαταρίας από την πρίζα, τραβήξτε το βύσμα. Μην τραβάτε το καλώδιο.
- Κρατήστε όλα τα καλώδια και τα καλώδια επέκτασης μακριά από νερό, λάδι και αιχμηρές γωνίες. Βεβαιωθείτε ότι το καλώδιο δεν έχει μαγκώσει σε αντικείμενα όπως π.χ. πόρτες, φράχτες ή παρόμοια σημεία.
- Μην χρησιμοποιείτε τον φορτιστή μπαταρίας κοντά σε εύφλεκτα υλικά ή υλικά που μπορούν να προκαλέσουν διάβρωση. Βεβαιωθείτε ότι ο φορτιστής της μπαταρίας δεν είναι καλυμμένος. Σε περίπτωση έκλυσης καπνού ή πυρκαγιάς, βγάλτε τον φορτιστή μπαταρίας από την πρίζα.
- Να φορτίζετε την μπαταρία μόνο σε εσωτερικό χώρο σε μια θέση με καλή ροή αέρα και μακριά από ηλιακή ακτινοβολία. Μην φορτίζετε την μπαταρία σε εξωτερικούς χώρους. Μην φορτίζετε την μπαταρία σε συνθήκες υγρασίας.

Οδηγίες ασφαλείας για τη συντήρηση



ΠΡΟΕΙΔΟΠΟΙΗΣΗ: Προτού εκτελέσετε εργασίες συντήρησης στο προϊόν, διαβάστε τις παρακάτω προειδοποιητικές οδηγίες.

- Πρέπει να αφαιρείτε την μπαταρία προτού εκτελέσετε εργασίες συντήρησης, άλλους ελέγχους ή συναρμολόγηση του προϊόντος.
- Ο χειριστής πρέπει να εκτελεί μόνο τις εργασίες συντήρησης και σέρβις που υποδεικνύονται στο παρόν εγχειρίδιο χρήσης. Για πιο εκτεταμένες εργασίες συντήρησης και σέρβις, απευθυνθείτε στον τοπικό αντιπρόσωπο σέρβις.
- Μην καθαρίζετε την μπαταρία ή το φορτιστή μπαταρίας με νερό. Τα δραστικά απορρυπαντικά μπορεί να προκαλέσουν ζημιά στο πλαστικό.
- Εάν δεν κάνετε συντήρηση στο προϊόν, μειώνεται ο κύκλος ζωής του και αυξάνεται ο κίνδυνος ατυχημάτων.
- Απαιτείται ειδική εκπαίδευση για όλες τις εργασίες συντήρησης και επισκευής, ειδικά για τις διατάξεις ασφαλείας στο προϊόν. Αν δεν ολοκληρωθούν με επιτυχία όλοι οι έλεγχοι που περιγράφονται στο παρόν εγχειρίδιο χρήσης αφού κάνετε τη συντήρηση, απευθυνθείτε στον τοπικό αντιπρόσωπο σέρβις. Εγγυώμαστε ότι υπάρχει δυνατότητα επαγγελματικής επισκευής και σέρβις για το προϊόν σας.
- Χρησιμοποιείτε πάντα γνήσια ανταλλακτικά.
- Να χρησιμοποιείτε πάντα ανθεκτικά γάντια κατά την επισκευή του παρελκόμενου κοπής. Οι λεπίδες είναι πολύ κοφτερές και μπορεί εύκολα να προκαλέσουν τραυματισμούς.

Συναρμολόγηση

Για τη συναρμολόγηση της χειρολαβής τύπου βρόγχου

1. Τοποθετήστε τη χειρολαβή τύπου βρόγχου στον άξονα μεταξύ των βελών. Μην τοποθετείτε τη χειρολαβή τύπου βρόγχου ή το δακτύλιο ανάρτησης επάνω στην επικέτα. (Εικ. 17)
2. Μετακινήστε τον αποστάτη μέσα στην εγκοπή της χειρολαβής τύπου βρόγχου.
3. Τοποθετήστε το παξιμάδι, τον τροχίσκο και τη βίδα, χωρίς να το σφίξετε υπερβολικά.
4. Ρυθμίστε το προϊόν σε μια άνετη θέση.
5. Σφίξτε τη βίδα.

Συναρμολόγηση του άξονα δύο τμημάτων

1. Περιστρέψτε τη χειρόβιδα για να χαλαρώσετε τον σύνδεσμο. (Εικ. 18)
2. Ευθυγραμμίστε την προεσοχή (Α) με το βέλος (Β) στον σύνδεσμο. (Εικ. 19)
3. Ωθήστε τον άξονα μέσα στον σύνδεσμο μέχρι να "κουμπώσει" στη θέση του. (Εικ. 20)

4. Σφίξτε καλά τη χειρόβιδα. (Εικ. 21)

Για να αποσυναρμολογήσετε τον άξονα δύο τμημάτων

1. Περιστρέψτε τον τροχίσκο 3 ή περισσότερες φορές για να χαλαρώσετε τον σύνδεσμο. (Εικ. 22)
2. Πιέστε και κρατήστε πατημένο το κουμπί (C).
3. Κρατήστε καλά το άκρο του άξονα όπου είναι προσαρτημένο το μοτέρ.
4. Τραβήξτε το παρεκκόμενο έξω από τον σύνδεσμο. (Εικ. 23)

Τοποθέτηση του δακτυλίου ανάρτησης, εάν υπάρχει

1. Τοποθετήστε τον δακτύλιο ανάρτησης ανάμεσα στα βέλη της οπίσθιας χειρολαβής και της χειρολαβής τύπου βρόγχου. (Εικ. 24)

Περιεχόμενα Μην τοποθετήσετε τη χειρολαβή τύπου βρόγχου επάνω στο σήμα.

2. Ρυθμίστε τον δακτύλιο, ώστε το προϊόν να είναι ισορροπεί σταθερά και να χρησιμοποιείται εύκολα.

Λειτουργία

Εισαγωγή



ΠΡΟΕΙΔΟΠΟΙΗΣΗ: Προτού χρησιμοποιήσετε το προϊόν, διαβάστε και κατανοήστε το κεφάλαιο για την ασφάλεια.

αγορές. Απευθυνθείτε στον αντιπρόσωπο σέρβις για περισσότερες πληροφορίες.

Husqvarna Connect

Η Husqvarna Connect είναι μια δωρεάν εφαρμογή για τη φορητή συσκευή σας. Η εφαρμογή Husqvarna Connect παρέχει εκτεταμένες λειτουργίες για το προϊόν Husqvarna που διαθέτετε.

- Περισσότερες πληροφορίες για το προϊόν.
- Πληροφορίες και βοήθεια για τα ανταλλακτικά και το σέρβις του προϊόντος.

Εκκίνηση χρήσης του Husqvarna Connect

1. Κατεβάστε την εφαρμογή Husqvarna Connect στη φορητή συσκευή σας.
2. Εγγραφείτε στην εφαρμογή Husqvarna Connect.
3. Ακολουθήστε τα βήματα των οδηγιών που θα βρείτε στην εφαρμογή Husqvarna Connect για να συνδέσετε και να καταχωρήσετε το προϊόν.

Περιεχόμενα Η εφαρμογή Husqvarna Connect δεν είναι διαθέσιμη για λήψη σε όλες τις

Για να συνδέσετε την μπαταρία στο προϊόν



ΠΡΟΕΙΔΟΠΟΙΗΣΗ: Στο προϊόν πρέπει να χρησιμοποιείτε μόνο γνήσιες μπαταρίες Husqvarna.

1. Βεβαιωθείτε ότι η μπαταρία είναι πλήρως φορτισμένη.
2. Σπρώξτε την μπαταρία μέσα στη θήκη της στο προϊόν. Όταν η μπαταρία ασφαλίσει στη θέση της, ακούγεται ένα χαρακτηριστικό "κλικ". (Εικ. 25)



ΠΡΟΣΟΧΗ: Εάν η μπαταρία δεν κινείται εύκολα μέσα στη θήκη της, αυτό σημαίνει ότι δεν έχει τοποθετηθεί σωστά. Μπορεί να προκληθεί ζημιά στο προϊόν.

3. Βεβαιωθείτε ότι η μπαταρία έχει τοποθετηθεί σωστά.

Φόρτιση της μπαταρίας

Περιεχόμενα Φορτίστε την μπαταρία, εάν είναι η πρώτη φορά που τη χρησιμοποιείτε. Μια καινούργια μπαταρία είναι φορτισμένη μόνο κατά 30%.

1. Βεβαιωθείτε ότι η μπαταρία είναι στεγνή.
2. Τοποθετήστε την μπαταρία στο φορτιστή μπαταρίας. (Εικ. 26)

Περιεχόμενα Η μπαταρία και ο φορτιστής μπαταρίας μπορεί να διαφέρουν μεταξύ των διαφορετικών μοντέλων, αλλά η διαδικασία είναι η ίδια.

3. Βεβαιωθείτε ότι ανάβει η πράσινη λυχνία φόρτισης στον φορτιστή. Αυτό σημαίνει ότι η μπαταρία είναι απευθείας συνδεδεμένη στον φορτιστή.
4. Η μπαταρία είναι πλήρως φορτισμένη, όταν ανάψουν όλες οι λυχνίες LED πάνω της. (Εικ. 27)
5. Για να αποσυνδέσετε τον φορτιστή της μπαταρίας από την πρίζα, τραβήξτε το φις. Μην τραβήξετε το καλώδιο.
6. Αφαιρέστε την μπαταρία από το φορτιστή.

Περιεχόμενα Ανατρέξτε στα εγχειρίδια της μπαταρίας και του φορτιστή της μπαταρίας για περισσότερες πληροφορίες.

Θέση λειτουργίας

- Να κρατάτε το προϊόν και με τα 2 χέρια
- Να κρατάτε το προϊόν στη δεξιά πλευρά του σώματός σας.
- Να διατηρείτε το εξάρτημα κοπής κάτω από το ύψος της μέσης σας.
- Μην πλησιάζετε τα μέλη του σώματός σας σε καυτές επιφάνειες.
- Μην πλησιάζετε τα μέλη του σώματός σας στο παρελκόμενο κοπής.

Προτού χρησιμοποιήσετε το προϊόν

- Εξετάστε το χώρο εργασίας για να βεβαιωθείτε ότι γνωρίζετε τον τύπο του εδάφους, την κλίση του εδάφους και αν υπάρχουν εμπόδια, όπως πέτρες, κλαδιά και χαντάκια.
- Πραγματοποιήστε μια γενική επιθεώρηση του προϊόντος.
- Πραγματοποιήστε τους ελέγχους ασφαλείας, συντήρησης και σέρβις που δίνονται σε αυτό το εγχειρίδιο.

- Βεβαιωθείτε ότι όλα τα καλύμματα, οι προφυλακτικές, οι λαβές και τα εξαρτήματα είναι σωστά προσαρτημένα και δεν έχουν υποστεί ζημιά.

Εκκίνηση του προϊόντος

1. Πατήστε παρατεταμένα το κουμπί On/Off μέχρι να ανάψει η πράσινη λυχνία LED. (Εικ. 28)
2. Χρησιμοποιήστε τη σκανδάλη γκαζιού για να ελέγξετε την ταχύτητα.

Περιορισμός της μέγιστης ταχύτητας με το κουμπί τρόπου λειτουργίας

Το προϊόν διαθέτει κουμπί επιλογής τρόπου λειτουργίας. Με το κουμπί τρόπου λειτουργίας, ο χειριστής μπορεί να περιορίζει τη μέγιστη ταχύτητα. Το κουμπί τρόπου λειτουργίας έχει 3 επίπεδα ταχύτητας. Όσο χαμηλότερο είναι το επίπεδο, τόσο μεγαλύτερος είναι ο χρόνος λειτουργίας του προϊόντος. Το κουμπί τρόπου λειτουργίας έχει 3 επίπεδα ταχύτητας. Όσο χαμηλότερο είναι το επίπεδο, τόσο μεγαλύτερος είναι ο χρόνος λειτουργίας του προϊόντος. Χρησιμοποιήστε τα επίπεδα 1 και 2, αν για την εργασία δεν απαιτείται η πλήρης ταχύτητα/πλήρης ισχύς. Εάν η κατάσταση λειτουργίας απαιτεί μέγιστη ταχύτητα/μέγιστη ισχύ, χρησιμοποιήστε το επίπεδο 3. Μην χρησιμοποιείτε υψηλότερο επίπεδο από αυτό που απαιτείται για τη λειτουργία.

1. Πατήστε το κουμπί τρόπου λειτουργίας για να καθορίσετε ένα όριο για τη μέγιστη ταχύτητα. Η λευκή ενδεικτική λυχνία LED ανάβει για να υποδείξει ότι η λειτουργία είναι ενεργή. (Εικ. 29)
2. Πατήστε ξανά το κουμπί τρόπου λειτουργίας για να επιλέξετε το επόμενο επίπεδο ταχύτητας.

Λειτουργία αυτόματης απενεργοποίησης

Το προϊόν διαθέτει λειτουργία αυτόματης απενεργοποίησης, με την οποία το προϊόν απενεργοποιείται εάν δεν το χρησιμοποιήσετε για 3 λεπτά.

Διακοπή λειτουργίας του προϊόντος

1. Απελευθερώστε τη σκανδάλη γκαζιού ή την ασφάλεια της σκανδάλης γκαζιού.
2. Πατήστε το κουμπί On/Off. (Εικ. 30)
3. Πατήστε τα κουμπιά απασφάλισης της μπαταρίας και αφαιρέστε την μπαταρία. (Εικ. 31)

Συντήρηση

Εισαγωγή



ΠΡΟΕΙΔΟΠΟΙΗΣΗ: Προτού εκτελέσετε οποιαδήποτε εργασία συντήρησης, πρέπει να διαβάσετε και να κατανοήσετε το κεφάλαιο για την ασφάλεια.

Ακολουθεί μια λίστα με τα βήματα συντήρησης που πρέπει να εκτελείτε στο προϊόν. Εκτός από τις εργασίες συντήρησης που καθορίζονται στο πρόγραμμα συντήρησης, πρέπει να πραγματοποιείτε τακτικά σέρβις στο προϊόν από έναν αντιπρόσωπο σέρβις της Husqvarna. Για υποστήριξη σχετικά με τα διαστήματα σέρβις, απευθυνθείτε στον αντιπρόσωπο σέρβις της Husqvarna.

Πρόγραμμα συντήρησης



ΠΡΟΕΙΔΟΠΟΙΗΣΗ: Προτού εκτελέσετε εργασίες συντήρησης, πρέπει να αφαιρείτε την μπαταρία.

Συντήρηση	Καθημερινά	Κάθε εβδομάδα	Κάθε μήνα
Καθαρίστε τα εξωτερικά μέρη του προϊόντος με στεγνό πανί. Μην χρησιμοποιείτε νερό.	X		
Βεβαιωθείτε ότι το κουμπί λειτουργίας δουλεύει σωστά και δεν έχει υποστεί ζημιά.	X		
Βεβαιωθείτε ότι η σκανδάλη γκαζιού και η λειτουργία κλειδώματος της σκανδάλης γκαζιού λειτουργούν σωστά από πλευράς ασφάλειας.	X		
Βεβαιωθείτε ότι όλα τα χειριστήρια λειτουργούν και δεν έχουν υποστεί ζημιά.	X		
Διατηρήστε τις λαβές στεγνές, καθαρές και χωρίς λάδια ή γράσο.	X		
Βεβαιωθείτε ότι οι βίδες και τα παζμάδια είναι σφιγμένα.	X		
Βεβαιωθείτε ότι τα κουμπιά απασφάλισης στην μπαταρία λειτουργούν και ασφαλίζουν την μπαταρία στο προϊόν.	X		
Βεβαιωθείτε ότι η μπαταρία δεν έχει υποστεί ζημιά.	X		
Βεβαιωθείτε ότι η μπαταρία είναι φορτισμένη.	X		
Βεβαιωθείτε ότι ο φορτιστής μπαταρίας δεν έχει υποστεί ζημιά και ότι λειτουργεί σωστά.	X		
Εξετάστε όλα τα καλώδια, τους συνδέσμους και τις συνδέσεις. Βεβαιωθείτε ότι δεν έχουν υποστεί ζημιά και ότι είναι καθαρά.		X	
Ελέγξτε τις συνδέσεις μεταξύ της μπαταρίας και του προϊόντος. Ελέγξτε τη σύνδεση μεταξύ της μπαταρίας και του φορτιστή μπαταρίας.			X

Για να καθαρίσετε το προϊόν, την μπαταρία και το φορτιστή της μπαταρίας

1. Πρέπει να καθαρίζετε το προϊόν με στεγνό πανί μετά από κάθε χρήση.
2. Καθαρίστε την μπαταρία και τον φορτιστή της μπαταρίας με ένα στεγνό πανί. Διατηρήστε τις ράβδους οδήγησης της μπαταρίας καθαρές.

3. Βεβαιωθείτε ότι οι πόλοι της μπαταρίας και οι ακροδέκτες του φορτιστή της μπαταρίας είναι καθαροί προτού τοποθετήσετε την μπαταρία μέσα στο φορτιστή ή στο προϊόν.

Άξονας δύο τμημάτων

Επαλείψτε γράσο στο άκρο του άξονα μετάδοσης κίνησης μετά από κάθε 30 ώρες λειτουργίας. Υπάρχει κίνδυνος να "κολλήσουν" τα άκρα του άξονα μετάδοσης κίνησης (σύμπλεξη με πολύσφηνο) στα μοντέλα με άξονα δύο τμημάτων, εάν δεν λιπαίνονται τακτικά.

Αντιμετώπιση προβλημάτων

Πληκτρολόγιο

Θόνη LED	Πιθανά σφάλματα	Πιθανή ενέργεια
Η πράσινη λυχνία LED ενεργοποίησης αναβοσβήνει	Χαμηλή τάση μπαταρίας.	Φορτίστε την μπαταρία.
Η κόκκινη λυχνία LED σφάλματος αναβοσβήνει	Υπερφόρτωση.	Το παρελκόμενο κοπής έχει κολλήσει. Απενεργοποιήστε το προϊόν. Αφαιρέστε την μπαταρία. Καθαρίστε το παρελκόμενο κοπής από ανεπιθύμητα υλικά.
	Απόκλιση θερμοκρασίας.	Αφήστε το προϊόν να κρυώσει.
	Η σκανδάλη γκαζιού και το πλήκτρο ενεργοποίησης ενεργοποιούνται ταυτόχρονα.	Αφήστε τη σκανδάλη γκαζιού και το προϊόν να ενεργοποιηθεί.
Το προϊόν δεν εκκινείται	Ρύποι στους συνδέσμους μπαταρίας.	Καθαρίστε τους συνδέσμους μπαταρίας με πεπιεσμένο αέρα ή μαλακή βούρτσα.
Η ενδεικτική λυχνία LED σφάλματος ανάβει με κόκκινο χρώμα.	Το προϊόν χρειάζεται σέρβις.	Επικοινωνήστε με τον αντιπρόσωπο σέρβις.

Μεταφορά, αποθήκευση και απόρριψη

Μεταφορά και αποθήκευση

- Οι παρεχόμενες μπαταρίες ιόντων λιθίου πληρούν όλες τις απαιτήσεις της νομοθεσίας περί επικίνδυνων εμπορευμάτων.
- Πρέπει να τηρείτε τις ειδικές απαιτήσεις που αναγράφονται στη συσκευασία και στις ετικέτες σχετικά με την εμπορική μεταφορά. Οι απαιτήσεις αυτές πρέπει επίσης να τηρούνται από οποιουδήποτε τρίτους και από τους διαμετακομιστές.
- Απευθυνθείτε σε ένα άτομο ειδικά εκπαιδευμένο στα επικίνδυνα υλικά προτού στείλετε το προϊόν. Να τηρείτε όλους τους ισχύοντες εθνικούς κανονισμούς.
- Αν συσκευάσετε την μπαταρία, χρησιμοποιήστε ταινία πάνω στις ακάλυπτες επαφές. Σφηνώστε την μπαταρία μέσα στο πακέτο, ώστε να μην μπορεί να μετακινηθεί.
- Κατά τη φύλαξη ή τη μεταφορά του προϊόντος πρέπει πάντα να αφαιρείτε την μπαταρία.
- Τοποθετήστε την μπαταρία και τον φορτιστή της μπαταρίας σε χώρο στεγνό και προστατευμένο από την υγρασία και τον παγετό.
- Μην αποθηκεύετε την μπαταρία σε χώρους όπου ενδέχεται να προκληθεί στατικός ηλεκτρισμός. Μην αποθηκεύετε την μπαταρία σε μεταλλικό κουτί.
- Να φυλάσσετε την μπαταρία σε χώρους με θερμοκρασία μεταξύ 5 °C /41 °F και 25 °C/77 °F και μακριά από το άμεσο ηλιακό φως.
- Να φυλάσσετε το φορτιστή της μπαταρίας σε χώρους με θερμοκρασία μεταξύ 5 °C/41 °F και 45 °C/113 °F και μακριά από το άμεσο ηλιακό φως.
- Ο φορτιστής της μπαταρίας πρέπει να χρησιμοποιείται μόνο όταν η θερμοκρασία περιβάλλοντος είναι μεταξύ 5 °C/41 °F και 40 °C/104 °F.
- Φορτίστε την μπαταρία κατά 30% έως 50% προτού την φυλάξετε για μεγάλο χρονικό διάστημα.
- Να φυλάσσετε το φορτιστή της μπαταρίας σε χώρο κλειστό και χωρίς υγρασία.
- Μην φυλάσσετε την μπαταρία μαζί με τον φορτιστή. Μην επιτρέπετε να αγγίζουν τον εξοπλισμό παιδιά και άλλα μη εξουσιοδοτημένα άτομα. Να διατηρείτε τον εξοπλισμό σε χώρο που μπορεί να κλειδώσετε.
- Προτού φυλάξετε το προϊόν για μεγάλο χρονικό διάστημα, πρέπει να το καθαρίζετε και να εκτελείτε πλήρες σέρβις.
- Για να αποφύγετε τραυματισμούς ή ζημιές στο προϊόν κατά τη μεταφορά και τη φύλαξη, χρησιμοποιήστε το προστατευτικό μεταφοράς.
- Κατά τη μεταφορά, πρέπει να στερεώνετε καλά το προϊόν.

Απόρριψη της μπαταρίας, του φορτιστή μπαταρίας και του προϊόντος

Τα σύμβολα που υπάρχουν επάνω στο προϊόν ή στη συσκευασία του υποδεικνύουν ότι το προϊόν δεν αποτελεί οικιακό απόρριμμα. Ανακυκλώστε το σε κέντρο ανακύκλωσης ηλεκτρικού και ηλεκτρονικού εξοπλισμού.

Με αυτόν τον τρόπο συμβάλλετε στην προστασία του περιβάλλοντος και των ανθρώπων.

Απευθυνθείτε στις τοπικές αρχές, στην υπηρεσία αποκομιδής οικιακών απορριμμάτων ή στον αντιπρόσωπο για περισσότερες πληροφορίες σχετικά με την ανακύκλωση του προϊόντος.

Τεχνικά στοιχεία

Τεχνικά στοιχεία

	325iLK
Μοτέρ	
Τύπος μοτέρ	BLDC (χωρίς ψήκτρες) 36V
Ταχύτητα κινητήριου άξονα, 1 σ.α.λ	8400
Βάρος	
Βάρος (μόνο μονάδα παροχής ισχύος), kg	2,9
Εκπομπές θορύβου ^{169, 170}	
Στάθμη ηχητικής ισχύος, μετρούμενη τιμή σε dB (A)	89-103
Στάθμη ηχητικής ισχύος, εγγυημένη, L _{WA} σε dB (A)	90-106
Επίπεδα θορύβου ^{171, 172}	
Ισοδύναμη στάθμη ηχητικής πίεσης στο αυτί του χειριστή, μετρημένη κατά EN 62841-1, dB (A):	78-93
Στάθμες κραδασμών ^{173, 174}	
Επίπεδα κραδασμών στις λαβές, μετρημένα κατά EN 62841-1, m/s ²	1,3-5,5/1,1-3,1

¹⁶⁹ Οι εκπομπές θορύβου στο περιβάλλον μετρούνται ως ηχητική ισχύς (LWA) σε συμμόρφωση με την Οδηγία 2000/14/EK. Η καταγεγραμμένη στάθμη θορύβου για το μηχανήμα έχει μετρηθεί με το γνήσιο εξάρτημα κοπής, που δίνει την υψηλότερη στάθμη. Η διαφορά μεταξύ της εγγυημένης και της μετρούμενης ηχητικής ισχύος είναι ότι η εγγυημένη ηχητική ισχύς περιλαμβάνει επίσης τη διασπορά στο αποτέλεσμα της μέτρησης και τις αποκλίσεις μεταξύ των διαφορετικών μηχανημάτων του ίδιου μοντέλου σύμφωνα με την Οδηγία 2000/14/EK. Το εύρος θορύβου περιλαμβάνει τη χαμηλότερη έως την υψηλότερη μετρημένη τιμή.

¹⁷¹ Τα καταγεγραμμένα στοιχεία για τη στάθμη ηχητικής πίεσης του μηχανήματος παρουσιάζουν τυπική στατιστική διασπορά (τυπική απόκλιση) 3 dB (A). Η μέτρηση έχει γίνει με το αρχικό εξάρτημα, το οποίο παρέχει την υψηλότερη στάθμη.

¹⁷² Το εύρος θορύβου περιλαμβάνει τη χαμηλότερη έως την υψηλότερη μετρημένη τιμή.

¹⁷³ Τα καταγεγραμμένα στοιχεία για τη στάθμη κραδασμών έχουν τυπική στατιστική διασπορά (τυπική απόκλιση) ίση με 2 m/s². Για σύγκριση της στάθμης κραδασμών στα προϊόντα με μπαταρία και με κινητήρα εσωτερικής καύσης, χρησιμοποιήστε τη σελίδα υπολογισμού κραδασμών στη διεύθυνση <https://www.husqvarna.com/uk/services-solutions/vibration-calculator/>.

¹⁷⁴ Το εύρος θορύβου περιλαμβάνει τη χαμηλότερη έως την υψηλότερη μετρημένη τιμή.

Εγκεκριμένες μπαταρίες

Μπαταρία	BLi200	40-B220X
Τύπος	Ιόντων λιθίου	Ιόντων λιθίου
Χωρητικότητα μπαταρίας, Ah	5,2	6,0
Ονομαστική τάση, V	36	36
Βάρος, kg (lb)	1,3 (2,9)	1,4 (3,1)

Εγκεκριμένοι φορτιστές μπαταρίας

Φορτιστής μπαταρίας	QC330	40-C500X
Τάση εισόδου, V	100-240	100-240
Συχνότητα, Hz	50-60	50-60
Ισχύς, W	330	500

Αξεσουάρ

Εξαρτήματα

Εγκεκριμένα εξαρτήματα	Αριθμός παρελκόμενου ¹⁷⁵	Ομάδα παρελκόμενων ¹⁷⁶	Χρήση με
Παρελκόμενο θαμνοκοπτικού BCA850	1	1-10	325iLK
Παρελκόμενο φουσητήρα BA101	11	11-20	325iLK
Παρελκόμενο κόφτη άκρων ECA850	21	21-30	325iLK
Παρελκόμενο κόφτη άκρων ESA850	22	21-30	325iLK
Παρελκόμενο μπορντουροψάλιδου HA860	32	31-40	325iLK
Παρελκόμενο κονταροαλυσσπρίονου PAX730	41	41-50	325iLK
Παρελκόμενο κονταροαλυσσπρίονου PAX1100	42	41-50	325iLK
Παρελκόμενο πριονιού PA1100	43	41-50	325iLK
Παρελκόμενο σαρώθρου SR600-2	51	51-60	325iLK
Παρελκόμενο σκληρής βούρτσας BR600	52	51-60	325iLK
Παρελκόμενο αραιωτήρα DT600	53	51-60	325iLK
Παρελκόμενο καλλιεργητή CA230	54	51-60	325iLK

¹⁷⁵ Αυτός είναι ένας ειδικός αριθμός ενός εγκεκριμένου παρελκόμενου μιας ομάδας παρελκόμενων.

¹⁷⁶ Τα εγκεκριμένα παρελκόμενα διαιρούνται σε ομάδες παρελκόμενων. Κάθε ομάδα παρελκόμενων έχει παρόμοια χαρακτηριστικά και σήματα.

Εγκεκριμένα εξαρτήματα	Αριθμός παρελκόμενου ¹⁷⁵	Ομάδα παρελκόμενων ¹⁷⁶	Χρήση με
Παλινδρομικό εξάρτημα RA850	2	1-10	525iLK

¹⁷⁵ Αυτός είναι ένας ειδικός αριθμός ενός εγκεκριμένου παρελκόμενου μιας ομάδας παρελκόμενων.

¹⁷⁶ Τα εγκεκριμένα παρελκόμενα διαιρούνται σε ομάδες παρελκόμενων. Κάθε ομάδα παρελκόμενων έχει παρόμοια χαρακτηριστικά και σήματα.

Δήλωση Συμμόρφωσης

Δήλωση συμμόρφωσης ΕΕ

Εμείς, η **Husqvarna AB**, SE-561 82 Huskvarna, Σουηδία,
τηλ.: +46-36-146500, δηλώνουμε με αποκλειστική μας
ευθύνη ότι το προϊόν:

Περιγραφή	Μονάδα ισχύος που λειτουργεί με μπαταρία (χορτοκοπτικό)
Μάρκα	Husqvarna
Τύπος / Μοντέλο	325iLK (μονάδα χωρίς εξοπλισμό)
Αναγνώριση	Αριθμοί σειράς με ημερομηνία από το 2024 και έπειτα

συμμορφώνεται πλήρως με τις ακόλουθες οδηγίες και
τους κανονισμούς της ΕΕ:

Οδηγία/Κανονισμός	Περιγραφή
2006/42/EK	"σχετικά με τα μηχανήματα"
2014/30/EMC	"σχετικά με την ηλεκτρομαγνητική συμβατότητα"
2011/65/EE	"σχετικά με τον περιορισμό των επικίνδυνων ουσιών"
2000/14/EK	"σχετικά με τον θόρυβο σε εξωτερικούς χώρους"

και ότι εφαρμόζονται τα παρακάτω πρότυπα
ή/και τεχνικές προδιαγραφές: EN ISO
12100:2010, EN 62841-1:2015+AC:2015+A11:2022, EN
62841-4-2:2019+A11:2022+A1:2022, IEC 62841-4-4:
2020+A1:2024, IEC 62841-4-6:2022, ISO 11449:1994,
EN ISO 11680-1:2021, EN 61000-6-3:2007+A1:2011,
EN 61000-6-1:2016, EN IEC 63000:2018.

Η SMP Svensk Maskinprovning AB, Box 4053, SE-904
03 Umeå, Sweden έχει διεξαγάγει εθελοντικά εξέταση
τύπου σύμφωνα με το παράρτημα IX της οδηγίας
2006/42/EK. Αριθμός πιστοποιητικού: SEC/24/2593.

Κοινοποιημένος φορέας: Η SMP Svensk
Maskinprovning AB, έχει επίσης επαληθεύσει τη
συμβατότητα με το παράρτημα V της οδηγίας
2000/14/EK του Συμβουλίου. Αριθμός πιστοποιητικού:
01/1610/013.

Για πληροφορίες σχετικά με τις εκπομπές θορύβου,
ανατρέξτε στην ενότητα *Τεχνικά στοιχεία στη σελίδα 315*.

Huskvarna, 2024-02-01

Κύριος Stefan Holmberg, Διευθυντής Έρευνας και
Ανάπτυξης, Διαχείριση τεχνολογίας, Husqvarna AB,
Σουηδία

Υπεύθυνος για την τεχνική τεκμηρίωση



内容

引言.....	319	故障排除.....	326
安全性.....	320	运输、存放和废弃处理.....	326
安装.....	324	技术参数.....	327
操作.....	324	附件.....	328
维护.....	325	一致性声明.....	330

引言

预期用途

此动力装置是一个裸机，只能与经批准使用的附件一起使用，请参阅 附件在第 328 页上以了解有关经批准使用的

产品概览

(图 1)

1. 操作手册
2. 4 mm 内六角扳手
3. 环形手柄
4. 旋钮
5. On/Off [开/关] 按钮
6. 速度模式按钮
7. 开关扳机锁
8. 用户界面
9. 开关扳机
10. 电池充电器 (附件)
11. 充电器上的充电和错误指示灯
12. 电池释放按钮
13. 电池 (附件)
14. 电量状态 LED 指示灯
15. 警告 LED 指示灯
16. 电池指示灯按钮
17. 用于附件的联轴器

注意： 不同型号的电池和充电器外观可能不同。

本产品上的符号

(图 2) **警告！** 本产品可能会带来危险！疏忽或使用不当有可能导致操作人员或他人受到严重或致命伤害。阅读并充分理解说明书的内容极其重要。请仔细阅读说明书，确保在充分理解各项说明之后再使用本产品。

(图 3) 维护前请断开电池的连接。

(图 4) 额定电压，V

(图 5) 直流电。

附件的信息。确保阅读本手册和经批准使用的附件相关手册。

(图 6) 本产品符合适用的 EC 指令。

(图 7) 本产品或其包装上的符号表示本产品不能作为生活垃圾进行处理。本产品必须通过合适的回收装置进行收集。

(图 8) 本产品可防水溅。

yyyywwxxxx | 标牌上显示序列号。yyyy 是生产年份，ww 是生产周，xxxx 是序列号。

注意： 产品上的其他符号/标识对应于其他商用领域的认证要求。

制造商

Husqvarna AB

Drottninggatan 2, SE-561 82 Huskvarna, Sweden, tel: +46-36-146500

产品损坏

对于因下列情况造成的产品损坏，我们概不负责：

- 未正确修理产品。
- 使用非原装零部件或者未获原厂批准的零部件修理产品。
- 产品加装了非原装的或者未获原厂批准的附件。
- 未在授权的保养厂修理产品，或者未由授权的机构修理产品。

支持

如需获取产品相关支持，请前往上的“支持”部分，查阅使用说明、故障检修指南，或使用 Husqvarna 自助服务和产品助手（如果在您所在市场有提供）。如需获取有关产品的更多支持，请联系您的 Husqvarna 保养代理商。

安全性

安全定义

本手册使用了“警告”、“小心”和“注意”来指出特别重要的内容。



警告： 当不遵守手册中的说明可能会给操作员或周围人员带来伤害或死亡风险时，会使用此标志。



小心： 当不遵守手册中的说明可能会对产品、其他材料或附近区域造成损坏时，会使用此标志。

注意： 用于提供特定状况下所需的更多信息。

电动工具一般安全警告



警告： 确保阅读经批准使用的附件相关手册以及此动力装置手册。



警告： 请阅读此电动工具随附的所有安全警告、说明、图示和规格。如不遵循下列所有说明，可能会导致电击、火灾和/或严重伤害。

注意： 保存所有警告和说明供以后参考。警告中的术语“电动工具”指的是电力驱动（有线）的电动工具或电池供电（无线）的电动工具。

工作区安全

- 保持工作区干净、明亮。混乱或黑暗的区域容易引发事故。
- 请勿在存在易燃液体、气体或粉尘等易爆炸物品的环境中操作机器。机器会产生火花，可能会点燃粉尘或烟气。
- 操作机器时请远离儿童和旁人。操作时分心将会造成失控。

电气安全

- 机器的插头必须与电源插座匹配。切勿以任何方式改造插头。请勿将任何转接插头与接地的机器一起使用。未经改造的插头和匹配的电源插座将减少电击风险。
- 避免将身体与管道、散热器、炉具和冰箱等接地表面接触。如果身体接地，则会增加遭受电击的风险。
- 请勿将机器暴露在雨水或潮湿的环境中。机器中进水将会增加电击风险。
- 请勿滥用电源线。切勿使用电线来提携、拖拉产品，也不要通过拉扯电线来断开机器。请将电源线远离热源、油液、锋利边缘或活动部件。损坏或缠绕的电源线会增加电击风险。

- 在室外操作机器时，请使用室外专用的延长线。使用室外专用的电线可降低电击风险。
- 如果无法避免在潮湿的地点操作机器，请使用配有漏电保护器 (RCD) 的电源。使用 RCD 可降低电击风险。

人身安全

- 操作机器时，保持警觉、密切注意正在执行的操作并根据常识做出合理判断。请勿在疲倦时或服用药剂、药物或饮酒后使用机器。操作机器时稍有疏忽都可能导致严重的人身伤害。
- 使用个人防护装备。始终佩戴护眼装备。适合在相应条件下使用的防全面罩、防滑安全鞋、安全帽、听觉保护装备等防护装备可减少人身伤害。
- 防止本产品意外启动。在连接至电源和/或电池组、提起或携带机器之前，确保开关处于关闭位置。携带机器时将手指放在开关上或为已打开开关的机器加电有可能引发事故。
- 开启机器前，请取下任何调整扳手。如果扳手与机器的旋转部件相连接，可能会导致人身伤害。
- 请勿伸得过长。时刻注意合适的立足点和身体平衡。这样在出现意外时可以更好地控制机器。
- 穿着合适的服装。请勿穿宽松的服装或佩戴首饰。保持头发和衣服远离移动部件。宽松的服装、首饰或长头发可能会绞入移动部件中。
- 如果提供了用于连接吸尘和集尘装置的设备，请确保正确连接和使用这些设备。使用集尘装置可减少因灰尘引起的相关危险。
- 即使在经常使用之后已熟悉机器，也不要掉以轻心，不要忽视机器的安全原则。任何疏忽大意都随时可能造成严重的伤害。

机器的使用和养护

- 请勿使机器超负荷运行。请根据具体应用选用正确的机器。使用正确的机器可确保在符合设计用途的前提下更好、更安全地完成工作。
- 请勿使用无法通过开关打开和关闭的机器。无法通过开关进行控制的任何机器都是危险的，必须进行维修。
- 在对机器进行任何调整、更换附件或存放机器前，请将插头从电源中拔出并/或将电池组从机器上拆下（如果可以拆卸）。此类预防性安全措施可降低不小心启动机器的风险。
- 请将闲置的机器存放在儿童触碰不到的位置，不得允许不熟悉机器或这些说明的人操作机器。未经培训的用户使用机器维护是非常危险的事情。
- 维护机器和附件。检查是否存在移动部件未对齐或卡滞、零件破损以及任何其他可能会影响机器操作的情况。如果机器损坏，请将其修理好后再使用。许多事故都是因机器维护不良造成的。
- 保持切割工具锋利洁净。使用维护良好、具有锋利切割刃的切割机时，出现卡滞情况的风险更低，且更易于控制。

- 请按照这些说明使用机器、附件和刀头等，同时考虑工作环境以及要执行的作业。如果将机器用于非设计用途，可能会造成危险。
- 保持手柄和握紧面干燥、清洁且无油脂。手柄和握紧面不可打滑，以确保在意外情况下安全地握持和控制机器。

电池机器的使用和养护

- 只能使用制造商指定的充电器为电池充电。如果将适合某一类型电池组的充电器用于为其他类型电池组充电，可能产生失火危险。
- 只能将机器与专门指定的电池组配合使用。使用任何其他类型的电池组可能产生伤害和失火危险。
- 当不使用电池组时，使其远离其他金属物体，例如回形针、硬币、钥匙、钉子、螺钉或其他金属小物品，以免接通电池端子。电池端子短接到一起可能会引起灼伤或火灾。
- 电池在滥用情况下可能喷出液体，避免接触这些液体。如果意外接触，请用水冲净。如果液体接触眼睛，还必须就医。电池喷出的液体可能产生刺激或灼伤。
- 请勿使用损坏或经过改造的电池组或机器。损坏或经过改造的电池可能会出现意外情况，导致火灾、爆炸或受伤风险。
- 请勿将电池组或机器暴露在火中或温度过高的环境中。电池暴露在火中或超过 130 °C / 265 °F 的温度中可能发生爆炸。
- 请遵循所有充电说明，请勿在说明指定的温度范围之外为电池组或机器充电。充电不正确或在指定温度范围外充电可能会损坏电池，并增大失火风险。

维修

- 如果需要保养机器，请联系具备相应资质的维修人员并仅使用相同的更换零件。这将确保机器的安全。
- 切勿维修损坏的电池组。电池组的维修只能由制造商或经授权的服务提供商执行。

其他一般安全须知

- 停用本产品后再移至其他区域。转交产品时务必取下电池。
- 切勿放下本产品，除非您已将其停用并取出电池。切勿在本产品开启时使其处于无人看管状态。
- 切割刀具不会在本产品关闭后立即停止运动。
- 使用本产品之前以及遭受任何撞击之后，检查是否有磨损或损坏迹象，必要时进行维修。
- 如果在操作本产品时有任何东西卡在切割附件上，请停止操作并停用本产品。确保切割锯片完全停止转动。取出电池后再清洁、检查或维修本产品/或切割设备。
- 使用前，请先对本产品进行检查。请参阅产品上的安全装置在第 322 页上和 维护在第 325 页上。切勿使用损坏的产品。按照本手册中的说明进行安全检查、维护和保养。
- 切割附件发生故障，可能增加发生意外的风险。
- 检查齿轮是否有污物和裂纹。使用刷子清除齿轮上的草料和树叶。应在必要时佩戴手套。
- 务必确保通风口处无碎屑。
- 检查打草头是否完全装到割草机上。

- 必须先装好所有护盖、防护罩和手柄，然后才能启动。
- 检查产品是否处于正常状态。检查并确认所有螺母和螺钉都已拧紧。
- 检查并确保打草头和割草机防护罩没有损坏或裂痕。打草头或割草机防护罩受到撞击或出现裂缝时，请予以更换。务必使用针对所用切割附件推荐的防护罩。请参阅技术参数在第 327 页上。
- 如果粗心大意或使用不当，本产品可能会成为危险的工具。本产品可能会对操作员或其他人造成严重伤害或死亡。
- 本机不适合由身体、感官或智力低下的人（包括儿童）或缺少经验知识的人使用，除非监督或指导这些人如何使用机器，确保其安全。应谨慎看护儿童，确保他们不会玩耍本机器。
- 切勿允许儿童使用或靠近机器。由于机器容易启动，儿童如果失于看管，可能会启动机器。这就有可能造成严重的人员受伤。因此，机器在没有严格看护的情况下应断开电池。
- 切勿让儿童或其他未受过使用培训的人员使用或维修本产品和/或电池。
- 请将本机存放在可以锁定的区域，以免儿童或未授权人员接触。
- 存放和运输时，务必使用运输护盖。
- 始终使手脚远离切割区域，尤其是在启动电机时。
- 在本产品停用时，保持手脚远离切割锯片，直至其完全停止转动。
- 在本产品开启或切割设备旋转时，切勿清除落料或者让他人清除落料，因为这可能会导致严重伤害。
- 切记，作为操作员，您有责任避免人员及其财产遭受意外或危险。
- 在任何情况下，未经制造厂的许可，不得修改本产品的的设计。务必使用原厂零件。未经许可擅自修改，或使用未经批准的附件，可能会对操作员或其他人员造成严重的伤害或死亡。因使用未经批准的附件或备件而造成的伤害或责任，可能不在保修范围之内。
- 唯一可以与本产品配合使用的附件是“附件”章节中所推荐的切割附件。请参阅 附件在第 328 页上。
- 切勿使用曾对原规格进行任何改动的产品。
- 禁止使用有故障的产品。按照本手册中的说明进行安全检查、维修和保养。部分维修和保养措施必须由受过培训并有相应资质的专家进行。请参阅“维护”一节中的说明。
- 在恶劣天气下工作容易让人疲倦，往往会带来额外风险。由于恶劣的天气条件会带来额外的风险，所以不建议在浓雾、大雨、强风、严寒、雷电等天气条件下使用机器。
- 切勿在梯子、凳子或其他没有完全固定的高处位置进行作业。
- 在室内存放闲置设备 - 设备不使用时，应存放在室内。
- 本手册不可能列出用户可能遇到的所有情况。请务必多加小心，并运用常识来应对。在任何超出您能力范围的情况下，请不要使用。如果您在阅读本手册说明之后对于操作流程依然不确定，应在咨询专家之后再继续操作。
- 进行作业时，确保 50 ft (15 m) 之内没有人员或动物靠近。多名操作员在同一区域作业时，至少保持 50 ft (15 m) 的安全距离。否则有可能造成严重的人身伤害。

害。如有人靠近，立即关停产品。摆动产品之前务必先查看身后，确保安全区内无人。

- 确保人员、动物或其他物品不会影响您操控本产品，或者确保其不会接触切割刀片或被切割刀片抛出的松散物体。但是，如果发生事故时无法求救，请勿使用本产品。
- 确保您可以安全地移动与站立。检查您的周围区域是否存在障碍物（树根、岩石、树枝、沟渠等），以免造成您突然移动。在倾斜地面上工作时，要特别小心。
- 步行作业，不宜奔跑。
- 检查作业区。清除所有可能被抛出的松动物体或者可能缠绕切割机或切割机护罩的松散物体，如石块、碎玻璃、钉子、钢丝、线缆等。
- 在切割时，请注意树枝条可能会飞出。请勿靠近地面进行切割，在这种情况下，本产品可能会将石块和其他物体弹出。
- 在启动本产品时，确保衣服或身体各部位没有接触切割锯片。将本产品保持在腰部以下。
- 注意抛掷物。始终佩戴经批准的眼部防护装备。切勿将切割刀片防护罩倾斜。石头、垃圾等可能会抛入眼中，导致失明或严重伤害。
- 戴有听觉保护装备时，请留意警告信号或呼喊声。一旦产品停止运行，便取下听觉保护装备。
- 如果出现任何意外振动，敲出新的打草绳使其长度合适，以阻止振动。
- 如果本产品开始出现异常振动，请关闭本产品并取出电池。
- 血液循环不佳的人受到过度振动时，可能会导致血液循环系统或神经受损。如果您因过度振动而引起以下症状，请咨询医生。例如：麻痹、感觉麻木、发痒、刺痛、痛楚、体力缺乏、肤色或身体状况发生变化。这些症状通常出现在手指、双手或手腕上。
- 务必用双手握住本产品。将产品保持在身体右侧。

个人防护装备



警告： 请在使用本产品前阅读下面的警告说明。

- 操作产品时务必使用获得批准的个人防护装备。个人防护装备不能完全避免受伤，但当意外发生时，可降低伤害程度。请经销商协助您选择正确的防护装备。
 - 在有物体掉落风险的地方，请佩戴保护头盔。
 - 使用获得批准的听觉保护设备，尽量降低噪音。长期接触噪音可能会导致永久性听力损伤。
 - 请使用获得批准的眼部保护装备。如果佩戴面罩，必须同时佩戴获得批准的护目镜。在美国，经检验合格的护目镜必须符合 ANSI Z87.1 标准；在欧盟国家/地区，必须符合 EN 166。
 - 使用面罩进行面部防护。面罩无法为双眼提供足够保护。
- (图 9)
- 必要时戴上手套，例如在安装、检查或清洁切割设备时。
 - 穿上坚固的防滑靴。

- 穿着高强度纤维制成的衣物。务必穿着结实的长裤和长袖衣服。切勿穿着容易钩住小树枝和分枝的衣物。切勿佩戴珠宝、穿着短裤、凉鞋或光脚。确保头发生安全地挽在肩部以上。

(图 10)

- 确保急救箱触手可及。

(图 11)

产品上的安全装置



警告： 请在使用本产品前阅读下面的警告说明。

本节介绍产品的安全功能及其用途，并说明如何进行检查和维护，以确保产品正常运转。有关这些零件在产品上的位置，请参阅 *引言* 在 *第 319 页* 上一节中的说明。

如果产品维护不当或由非专业人士进行保养和/或维修，产品的使用寿命会缩短，发生意外的风险会增加。欲知更多详情，请联系距您最近的保养经销商。



警告： 不得使用安全组件损坏的产品。产品的安全设备必须按照本节中的说明进行检查和维护。如果您的产品未通过这些检查中的任何一项，请联系您的保养厂对其进行维修。



小心： 本机的保养和维修必须经过专门培训。对于本机的安全设备来说尤其如此。如果在检修过程中出现下述的故障，应与保养厂联络。如果您购买我们的产品，我们承诺提供专业的维修和保养。如果出售本机的零售商不是保养经销商，应向他咨询距您最近的保养厂的地址。

检查用户界面

1. 按住 On/Off [开/关] 按钮 (A)。 (图 12)
 - a) 显示屏 (B) 亮起时，表示本产品已启动。
 - b) 显示屏熄灭时，表示本产品已关闭。
2. 如果屏幕上的警告指示灯亮起或闪烁，请参阅 *键盘* 在 *第 326 页* 上。

检查开关扳机锁

开关扳机锁用于防止本产品意外操作。向前 (A) 推动开关扳机锁，然后按下开关扳机锁抵住手柄 (B)，将会释放开关扳机 (C)。松开手柄后，开关扳机和开关扳机锁都会返回原位。返回运动由三根独立的弹簧进行控制。

(图 13)

1. 当开关扳机锁处于原位时，确保开关扳机已锁止。 (图 14)
2. 向前 (A) 且向下推动开关扳机锁。使开关扳机锁抵住手柄 (B)，并确保释放后其会返回原位。 (图 15)
3. 确保开关扳机和开关扳机锁能自由移动，并且复位弹簧工作正常。 (图 16)
4. 按住 On/Off [开/关] 按钮，将产品设置为 On [开]。

5. 完全按下开关扳机以全速运转。
6. 松开开关扳机，确保切割附件停止转动并保持静止不动。

装配安全须知



警告： 请阅读此动力装置手册以及经批准使用的附件相关手册。

- 装配产品之前，请先从产品中取出电池。
- 请使用获得批准的防护手套。
- 损坏的或错误的防护罩可能会导致伤害。未安装许可防护罩的切割刀片切勿使用。
- 启动产品之前，确保先正确装配防护罩和驱动轴。
- 如果随刀片提供了系带，请将系带正确固定到产品上。系带可以保证操作安全，防止伤害到操作员或他人。

电池安全



警告： 请在使用本产品前阅读下面的警告说明。

- 只能使用 Husqvarna 批准的电池。请参阅 *认可的电池* 在第 327 页上。电池已通过软件进行加密。
- 仅将 Husqvarna 批准的电池用作相关 Husqvarna 产品的电源。为避免造成伤害，请勿将这些电池作为电源用于其他装置。
- 存在发生电击的危险。请勿将电池端子连接至钥匙、硬币、螺钉或其他金属上。这会导致电池短路。
- 切勿使用一次性电池。
- 请勿将异物放入电池的导气槽中。
- 使电池远离阳光、热源或明火。电池可能导致烧伤和/或化学烧伤。
- 使电池远离雨水和潮湿条件。
- 使电池远离微波和高压条件。
- 请勿尝试拆卸或破坏电池。
- 如果电池出现泄漏，不要让电池酸液接触到身体或眼睛。如果接触了电池酸液，请先用大量清水和肥皂清洗接触部位，然后送医治疗。如有电池酸液入眼，请勿揉搓，先用清水至少冲洗 15 分钟，然后送医治疗。
- 在 -10 °C (14 °F) 至 40 °C (114 °F) 之间的温度下使用电池。
- 切勿用水清洁电池或电池充电器。请参阅 *清洁产品、电池和电池充电器* 在第 326 页上。
- 请勿使用已损坏或无法正常工作的电池。
- 电池在存放时应远离金属物体，如钉子、螺钉或珠宝。
- 使电池远离儿童。

电池充电器安全性



警告： 请在使用本产品前阅读下面的警告说明。

- 如果未遵守安全须知，则有发生电击或短路的危险。
- 除了为您提供的电池充电器之外，请勿使用其他充电器。只能使用 Husqvarna 批准的充电器为 Husqvarna 批准的电池充电。有关说明，请参阅 *技术参数* 在第 327 页上。
- 切勿尝试拆卸电池充电器。
- 请勿使用已损坏或无法正常工作的电池充电器。
- 切勿用电源线提起电池充电器。要从电源插座断开电池充电器，请拔出插头。切勿拽拉电源线。
- 让所有电线和延长电线远离水、油和锋利的边沿。确保电线不会夹在物体之间，例如门、篱笆或类似物体之间。
- 切勿在易燃材料或可能导致腐蚀的材料附近使用电池充电器。确保未覆盖电池充电器。如果出现冒烟或着火，拔出电池充电器插头。
- 仅在室内空气流通较好且远离日光的位置为电池充电。请勿在室外为电池充电。请勿在潮湿条件下为电池充电。
- 仅在 5 °C (41 °F) 至 40 °C (104 °F) 之间的温度下使用电池充电器。在空气流通较好、干燥且远离灰尘的环境下使用充电器。
- 请勿将异物放置在电池充电器的冷却槽中。
- 请勿将电池充电器端子连接到金属物体上，否则会导致电池充电器短路。
- 使用获得批准的完好电源插座。确保电池充电器的电线没有损坏。如果使用了加长电缆，请确保加长电缆没有损坏。

维护安全须知



警告： 请在维护该产品前阅读下面的警告说明。

- 在维护前请取出电池，其他情况如检查或装配产品时，也需取出电池。
- 操作人员只能进行本说明书中介绍的维修和保养工作。更大范围的维修和保养请求助您的保养代理商。
- 切勿用水清洁电池或充电器。强力洗涤剂可能导致塑料损坏。
- 如果您不进行维护，可能会缩短产品的生命周期，并增加发生意外的风险。
- 对于所有的保养和维修工作，有必要进行专门的培训，尤其是有关产品上的安全装置。如果在您维护之后，本说明书中的检查并未全部获得批准，请求助于您的保养代理商。我们将保证为您的产品提供专业的维修和保养。
- 请仅使用原厂备件。
- 维修切割锯片时，请务必戴上耐磨的手套。锯片十分锋利，容易造成伤害。

安装

装配环形手柄

1. 将环形手柄安装在轴上的两个箭头之间。请勿让环形手柄或吊环遮住标签。(图 17)
2. 将垫片移至环形手柄的槽中。
3. 装上螺母、旋钮和螺丝，请勿拧紧。
4. 将产品调整至方便操作的位置。
5. 拧紧螺丝。

安装两件式驱动轴

1. 转动旋钮以松开联轴器。(图 18)
2. 将凸起 (A) 与联轴器上的箭头 (B) 对准。(图 19)
3. 将驱动轴推入联轴器，直至卡入到位。(图 20)

4. 完全拧紧旋钮。(图 21)

拆解两件式驱动轴

1. 转动旋钮 3 圈或更多圈以松开联轴器。(图 22)
2. 按住按钮 (C)。
3. 牢牢握住电机连接的驱动轴端。
4. 将刀片从联轴器中拉出。(图 23)

安装吊环 (如果适用)

1. 在后手柄与环形手柄上的箭头之间安装吊环。(图 24)

注意： 请勿让环形手柄遮住标识。

2. 调整吊环，使产品达到平衡且容易使用。

操作

引言



警告： 请先仔细阅读并充分理解安全须知章节，再使用产品。



小心： 如果无法轻松地将电池移入电池座，则表明安装不正确。这可能导致损坏产品。

3. 确保电池已正确安装。

Husqvarna Connect

Husqvarna Connect 是一款可在移动设备上使用的免费应用程序。Husqvarna Connect 应用程序可为您的 Husqvarna 产品提供扩展功能。

- 扩展产品信息。
- 关于帮助、产品零件和保养的信息。

开始使用 Husqvarna Connect

1. 将 Husqvarna Connect 应用程序下载至您的移动设备。
2. 在 Husqvarna Connect 应用程序中注册。
3. 按照 Husqvarna Connect 应用程序中的说明步骤连接并注册产品。

注意： 并非所有市场都提供 Husqvarna Connect 应用程序下载。欲了解更多信息，请与您的保养代理商联系。

将电池连接到产品



警告： 仅使用本产品随附的 Husqvarna 原装电池。

1. 确保电池已经充满电。
2. 将电池推入本产品的电池座中。听到卡嗒声表示电池已卡紧到位。(图 25)

为电池充电

注意： 如果这是您第一次使用电池，请为它充电。新电池仅充有 30% 的电量。

1. 确保电池干燥。
2. 将电池放入电池充电器中。(图 26)

注意： 不同型号的电池和充电器看起来不一样，但操作步骤相同。

3. 确保电池充电器上的绿色充电灯亮起。这表示电池与电池充电器正确连接。
4. 当电池上的所有指示灯亮起时，电池充满电。(图 27)
5. 要从电源插座断开电池充电器，请拔出插头。切勿拖拉电缆。
6. 从电池充电器中取出电池。

注意： 有关更多信息，请参阅电池和电池充电器手册。

工作位置

- 用双手握住产品。
- 将产品保持在身体右侧。
- 将切割刀片保持在腰部以下。
- 确保身体各部位远离高温表面。
- 确保身体各部位远离切割刀片。

操作产品之前

- 检查工作区域，确保您了解地形、地面坡度，以及是否有石子、树枝和沟渠等障碍物。
- 对产品进行全面检查。
- 按照本手册中的说明进行安全检查、维护和保养。
- 确保所有护盖、防护罩、手柄和附件均已正确固定且完好无损。

启动产品

1. 按住 On/Off [开/关] 按钮，直至绿色 LED 指示灯亮起。(图 28)
2. 使用开关扳机控制速度。

通过模式按钮 限制极限速度

本产品具有模式按钮。通过使用模式按钮，操作员可以限制极限速度。模式按钮有 3 个速度级别。级别越低，产

品的运行时间越长。模式按钮有 3 个速度级别。级别越低，产品的运行时间越长。如果操作不需要全速/全功率，则使用 1 级和 2 级。如果操作条件需要全速/全功率，请使用 3 级。请勿使用高于操作所需的级别。

1. 按下模式按钮可将限值设置为极限速度。白色 LED 亮起显示该功能已打开。(图 29)
2. 再次按下模式按钮可选择下一个速度级别。

自动关机功能

本产品具有自动关机功能，如果持续 3 分钟未操作本产品，那么该功能会自动关闭产品。

停止产品

1. 松开开关扳机或开关扳机锁。
2. 按下 On/Off [开/关] 按钮。(图 30)
3. 按下电池上的释放按钮，然后取出电池。(图 31)

维护

引言



警告： 在进行任何维护工作之前，您必须阅读并理解安全须知章节。

以下是本产品必要维护事项列表。除了维护计划中规定的维护外，还要定期请 Husqvarna 保养代理商对产品进行保养。有关保养间隔时间的信息，请咨询您的 Husqvarna 保养代理商。

维护时间表



警告： 在进行维护前请取出电池。

维护	每天	每周	每月
用干布清洁本产品的外部。请勿用水清洁。	X		
检查并确认电源按钮工作正常且未受损。	X		
确保开关扳机和开关扳机锁的安全功能正常。	X		
确保所有控件工作正常且未受损。	X		
保持手柄干燥、洁净、无油脂。	X		
确保螺丝和螺母均已上紧。	X		
确保电池上的释放按钮工作正常并可将其锁入本产品中。	X		
确保电池未受损。	X		
确保电池已充满电。	X		
确保电池充电器未受损且工作正常。	X		
检查所有线缆、接头和连接。确保其未受损且无灰尘。		X	
检查电池与产品之间的连接。检查电池与充电器之间的连接。			X

清洁产品、电池和电池充电器

1. 在使用产品后用干布清洁产品。
2. 用干布清洁电池和电池充电器。保持电池导槽清洁。
3. 在将电池放入电池充电器或产品中之前，请确保电池和充电器的端子保持清洁。

两件式驱动轴

每工作 30 个小时后向驱动轴末端涂抹润滑脂。在两件式轴机型上，如果不定期润滑，则可能会存在驱动轴端（花键配合联轴节）卡住的风险。
(图 32)

故障排除

键盘

指示灯	可能的故障	可行操作
绿色启动指示灯闪烁	电池电压低。	给电池充电。
红色错误指示灯闪烁	过载。	切割刀片已卡住。停用本产品。取下蓄电池。清除切割刀片中的多余材料。
	偏离工作温度。	使产品冷却。
	同时按下了开关扳机和启动按钮。	松开开关扳机，产品启动。
产品不启动	电池接头变脏。	使用压缩空气或软刷清洁电池接头。
错误指示灯亮起红灯	产品需要保养。	联系您的保养厂。

运输、存放和废弃处理

运输及存放

- 随附的锂离子电池符合危险品法律的要求。
- 请遵守商业运输在包装和标签方面的特殊要求，包括由第三方和运输代理等提供的商业运输。
- 在运送本产品前，请与经过危险品专门培训的人员沟通。请遵守所有适用的国家/地区法规。
- 在将电池放入包装中时，用胶带遮住裸露的触点。将电池牢牢固定在包装中，以防移动。
- 存放或运输之前请取下电池。
- 将电池和充电器放入无湿气、无霜冻的干燥空间内。
- 不要将电池存放在容易积聚静电的区域。严禁将电池存放在金属盒中。
- 电池存放温度应介于 5°C/41°F 至 25°C/77°F 之间，并避免阳光直射。
- 电池充电器存放温度应介于 5°C/41°F 至 45°C/113°F 之间，并避免阳光直射。
- 只能在 5°C/41°F 至 40°C/104°F 之间的环境温度下使用电池充电器。

- 在长期存放之前，将电池充电至 30% 至 50% 电量。
- 将电池充电器存储在封闭的干燥空间内。
- 切勿将电池存储在电池充电器中。请勿使儿童和其他未获批准的人员接触本设备。将本设备存放于可以锁闭的空间。
- 在长期存储本产品之前，应清洁产品并进行全面的保养。
- 在产品上使用运输护板，以防止产品在运输和存储期间造成伤害或损坏。
- 运输期间固定好产品。

电池、电池充电器和产品的废弃处理

本产品或其包装上的符号指示不能将本产品当作生活垃圾进行处理。请在回收站作为电气和电子设备进行回收。这将有助于避免对环境和人产生损害。

请与当地相关部门、生活垃圾服务机构或您的经销商联系，了解更多关于回收本产品的信息。

技术参数

技术参数

	325iLK
电机	
电机类型	BLDC (无刷型) 36V
输出轴速度, 1/min	8400
重量	
重量 (仅动力装置), kg	2.9
噪音排放 177, 178	
声功率级测量值, dB (A)	89-103
声功率级, 保证值 (L _{WA}), dB(A)	90-106
噪声级 179, 180	
根据 EN 62841-1 测得的操作员耳旁等效声压级, dB (A) :	78-93
振级 181, 182	
手柄振动水平, 根据 EN 62841-1 测量得出, 单位为 m/s ²	1.3-5.5/1.1-3.1

认可的电池

电池	BLi200	40-B220X
类型	锂离子电池	锂离子电池
电池容量, Ah	5.2	6.0
标称电压, V	36	36
重量, kg (lb)	1.3 (2.9)	1.4 (3.1)

¹⁷⁷ 环境噪音排放以声功率 (LWA) 测量, 符合 EC 指令 2000/14/EC 的要求。报告给出的机器声功率级是按照原装切割刀片的最高级别测量得出的。保证声功率与测定声功率之间存在差异, 在于保证声功率按照指令 2000/14/EC 的要求还包含了测量结果中的偏差以及相同型号不同机器之间的偏差。

¹⁷⁸ 噪音范围是指从最低到最高的测量值。

¹⁷⁹ 本机的声压级报告数据中具有 3 dB (A) 的典型统计偏差 (标准偏差), 并且是按照原装附件的最高噪声级别测量得出的。

¹⁸⁰ 噪音范围是指从最低到最高的测量值。

¹⁸¹ 振级的报告数据中具有 2 m/s² 的典型统计偏差 (标准偏差)。要比较振动水平、电池和燃烧产物, 请使用振动计算器。 <https://www.husqvarna.com/uk/services-solutions/vibration-calculator/>。

¹⁸² 噪音范围是指从最低到最高的测量值。

认可的充电器

充电器	QC330	40-C500X
输入电压, V	100-240	100-240
频率 (Hz)	50-60	50-60
功率 (W)	330	500

RoHS 表

部件名称	有害物质					
	铅	汞	镉 0.01%	六价铬	多溴联苯	多溴二苯醚
多氯联苯	○	○	○	○	○	○
马达	○	○	○	○	○	○
线束	○	○	○	○	○	○
外壳	○	○	○	○	○	○
切割元件	X	○	○	○	○	○

本表格依据 SJ/T 11364 的规定编制。

○：表示该有害物质在该部件所有均质材料中的含量均在 GB/T 26572 规定的限量要求以下。

X：表示该有害物质至少在该部件的某些均质材料中的含量超出 GB/T 26572 规定的限量要求。

附件

附件

获批准的附件	附件编号 ¹⁸³	附件组 ¹⁸⁴	适用机型
割灌机附件 BCA850	1	1-10	325iLK
吹风机附件 BA101	11	11-20	325iLK
修边机附件 ECA850	21	21-30	325iLK
修边机附件 ESA850	22	21-30	325iLK
绿篱机附件 HA860	32	31-40	325iLK
高枝锯刀片 PAX730	41	41-50	325iLK
高枝锯刀片 PAX1100	42	41-50	325iLK
锯附件 PA1100	43	41-50	325iLK

¹⁸³ 这是附件组中经批准可使用的附件的特定编号。

¹⁸⁴ 经批准可使用的附件分为多个附件组。每个附件组都具有相似的功能和标识。

获批准的附件	附件编号 ¹⁸³	附件组 ¹⁸⁴	适用机型
大清扫附件 SR600-2	51	51-60	325iLK
鬃毛刷附件 BR600	52	51-60	325iLK
梳草机附件 DT600	53	51-60	325iLK
旋耕机附件 CA230	54	51-60	325iLK
往复喷涂机附件 RA850	2	1-10	525iLK

¹⁸³ 这是附件组中经批准可使用的附件的特定编号。

¹⁸⁴ 经批准可使用的附件分为多个附件组。每个附件组都具有相似的功能和标识。

一致性声明

欧盟一致性声明

我们 **Husqvarna AB** (地址 : SE-561 82 Huskvarna , Sweden , 电话 : +46-36-146500) 谨此声明 , 本产品 :

描述	电池供电型动力装置 (打草机)
品牌	Husqvarna
类型/型号	325iLK (裸机)
标识	2024 及以后的序列号

完全符合以下欧盟指令和法规的要求 , 我们对此负有唯一的责任 :

指令/法规	描述
2006/42/EC	“关于机械”
2014/30/EMC	“关于电磁兼容性”
2011/65/EU	“关于限制使用有害物质”
2000/14/EC	“关于室外噪声”

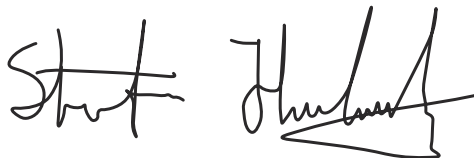
并适用以下标准和/或技术规格 : EN ISO 12100:2010, EN 62841-1:2015+AC:2015+A11:2022, EN 62841-4-2:2019+A11:2022+A1:2022, IEC 62841-4-4:2020+A1:2024, IEC 62841-4-6:2022, ISO 11449:1994, EN ISO 11680-1:2021, EN 61000-6-3:2007+A1:2011, EN 61000-6-1:2016, EN IEC 63000:2018。

SMP Svensk Maskinprovning AB, Box 4053, SE-904 03 Umeå, Sweden 已根据 2006/42/EC 附录 IX 的规定进行了自愿型式检验。证书编号 : SEC/24/2593。

认证机构 : SMP Svensk Maskinprovning AB, 还证实了该产品符合欧洲理事会指令 2000/14/EC 附录 V 的要求。证书编号 : 01/1610/013。

有关噪音排放的信息 , 请参阅 *技术参数* 在第 327 页上。

Huskvarna, 2024-02-01



Husqvarna AB, Sweden 技术管理部门研发总监 Stefan Holmberg 先生

技术文档负责人



İçindekiler

Giriş.....	331	Sorun giderme.....	340
Güvenlik.....	332	Taşıma, depolama ve atma.....	340
Montaj.....	337	Teknik veriler.....	341
Çalışma.....	338	Aksesuarlar.....	342
Bakım.....	339	Uyumluluk Bildirimi.....	343

Giriş

Kullanım amacı

Bu güç ünitesi, yalnızca onaylı aksesuarlarla birlikte çalışan yalın bir ünedir. Onaylı aksesuarlar için bkz.

Ürüne genel bakış

(Şek. 1)

1. Kullanım kılavuzu
2. 4 mm altıgen
3. Yarım daire şeklindeki tutma yeri
4. Düğme
5. Açma/Kapatma düğmesi
6. Hız modu düğmesi
7. Güç tetiği kilidi
8. Kullanıcı Arayüzü
9. Güç tetiği
10. Akü şarj cihazı (aksesuar)
11. Şarj cihazı üzerindeki şarj ve hata göstergesi
12. Akü çıkarma düğmeleri
13. Akü (aksesuar)
14. Şarj durumu için LED göstergesi
15. Uyarı LED'i
16. Akü gösterge düğmesi
17. Ataşman kaplini

Not: Akü ve akü şarj cihazı farklı modeller arasında farklı görünebilir.

Ürün üzerindeki semboller

- (Şek. 2) UYARI! Bu ürün tehlikeli olabilir! Dikkatsiz veya hatalı kullanımı operatörde ya da başka kişilerde ciddi veya ölümcül yaralanmalara neden olabilir. Kullanım kılavuzunun içeriğini okumanız ve anlamanız son derece önemlidir. Lütfen kullanım kılavuzunu dikkatle okuyun ve ürünü kullanmadan önce talimatları anladığınızdan emin olun.
- (Şek. 3) Bakımdan önce akünün bağlantısını kesin.
- (Şek. 4) Nominal voltaj, V

Aksesuarlar sayfa: 342. Bu kılavuzun yanı sıra onaylı aksesuarın kılavuzunu da okuduğunuzdan emin olun.

(Şek. 5) Doğru akım.

(Şek. 6) Ürün, geçerli AT direktiflerine uygundur.

(Şek. 7) Ürün veya ambalajı üzerinde bulunan semboller, bu ürünün evsel atık olarak değerlendirilemeyeceğini belirtir. Bu ürün uygun bir geri dönüşüm tesisine gönderilmelidir.

(Şek. 8) Ürünün su sıçramasına karşı koruması bulunur.

yyyyhxxxx

Nominal değerler plakası, seri numarasını gösterir. **yyyy** üretim yılı, **hh** üretim haftası, **xxxx** ise sıra numarasıdır.

Not: Ürünün üzerindeki diğer semboller/etiketler, diğer ticari alanların sertifikalandırma gereklilikleri ile ilgilidir.

Üretici

Husqvarna AB

Drottninggatan 2, SE-561 82 Huskvarna, Sweden, tel: +46-36-146500

Üründe oluşabilecek hasarlar

Aşağıdaki durumlarda ürünümüzde oluşabilecek hasarlardan sorumlu olmayız:

- ürünün hatalı bir şekilde onarılması,
- ürünün, üretici tarafından onaylanmayan veya üreticiden alınmayan parçalarla tamir edilmesi,
- üründe, üreticiden alınmayan veya üretici tarafından onaylanmayan bir aksesuar bulunması,
- ürünün, onaylı bir servis merkezinde veya yetkili bir kurum tarafından tamir edilmemesi.

Destek

Ürüne ilgili destek almak amacıyla talimatlara ve sorun giderme kılavuzlarına erişmek veya Husqvarna Self-

Service ve Ürün Asistanını (pazarınızda mevcutsa) kullanmak için ögesindeki Destek bölümüne gidin. Ürün hakkında daha fazla destek için Husqvarna servis bayinizle görüşün.

Güvenlik

Güvenlik tanımları

Kılavuzdaki önemli kısımları vurgulamak için uyarılar ve notlar kullanılmıştır.



UYARI: Kılavuzdaki talimatlara uyulmadığı takdirde operatör veya çevredeki kişiler için ciddi yaralanma veya ölüm tehlikesi varsa kullanılır.



DİKKAT: Kılavuzdaki talimatlara uyulmadığı takdirde ürünün, diğer malzemelerin veya çevrenin zarar görme riski olduğunda kullanılır.

Not: Belirli bir durumda bilgi verilmesi gerektiğinde kullanılır.

Genel elektrikli alet güvenlik uyarıları



UYARI: Bu güç ünitesi kılavuzuyla birlikte onaylı aksesuarın kılavuzunu da okuduğunuzdan emin olun.



UYARI: Bu elektrikli aletle birlikte verilen tüm güvenlik uyarılarını, talimatları, çizimleri ve teknik özellikleri okuyun. Aşağıda listelenen talimatların göz ardı edilmesi elektrik çarpmasına, yangına ve/veya ciddi yaralanmaya neden olabilir.

Not: Tüm uyarı ve talimatları ilerde başvurmak üzere saklayın. Uyarılardaki "elektrikli alet" ifadesi, şebeke akımıyla çalışan (kablolu) elektrikli aletinizi veya aküyle çalışan (kablesiz) elektrikli aletinizi belirtmektedir.

Çalışma alanı güvenliği

- **Çalışma alanını temiz ve iyi aydınlatılmış tutun.** Kalabalık veya karanlık alanlar kazalara neden olabilir.
- **Makineyi; yanıcı sıvıların, gazların veya tozların bulunduğu patlayıcı ortamlarda çalıştırmayın.** Makineler, toz veya dumanları ateşleyebilecek kıvılcımlar oluşturur.
- **Makineyi kullanırken çocukları ve diğer kişileri uzak tutun.** Dikkatinizin dağılması, kontrolü kaybetmenize neden olabilir.

Elektrik güvenliği

- **Makine fişleri prize uygun olmalıdır. Hiçbir zaman fişler üzerinde herhangi bir değişiklik yapmayın. Topraklı (topraklanmış) makinelerle herhangi bir adaptör fiş kullanmayın.** Değiştirilmemiş fişler ve uygun prizler elektrik çarpması riskini azaltır.
- **Boru, radyatör, fırın, buzdolabı gibi topraklı yüzeylerle vücut temasından kaçının.** Vücutunuz topraklı ise elektrik çarpması riski artar.
- **Makineleri yağmura veya ıslak koşullara maruz bırakmayın.** Makineye su girerse elektrik çarpması riski artar.
- **Kabloyu kötü kullanmayın. Kabloyu asla makineyi taşımak, çekmek veya fişten çıkarmak için kullanmayın. Kabloyu ısıdan, yağdan, keskin kenarlardan veya hareketli parçalardan uzakta tutun.** Hasar görmüş veya dolaşmış kablolar elektrik çarpması riskini artırır.
- **Makineyi dış mekanda kullanırken, dış mekan kullanımı için uygun bir uzatma kablosu kullanın.** Dış mekan için uygun bir kablo kullanmak, elektrik çarpması riskini azaltır.
- **Makineyi mutlaka nemli bir ortamda çalıştırmazınız gerekiyorsa artık akım cihazı (RCD) korumalı bir güç kaynağı kullanın.** RCD kullanmak elektrik çarpması riskini azaltır.

Kişisel güvenlik

- **Makineyi kullanırken tetikte olun, dikkatinizi yaptığınızı işe verin ve sağduyulu olun. Yorgunken veya uyuşturucu, alkol ya da ilaç etkisi altındayken makineyi kullanmayın.** Makineleri kullanırken bir anlık bir dikkatsizlik, ciddi yaralanmaya neden olabilir.
- **Kişisel koruyucu ekipmanlar kullanın. Daima koruyucu gözlük takın.** Uygun durumlarda toz maskesi, kaymayan güvenlik ayakkabıları, baret veya kulak koruma ekipmanı gibi koruyucu ekipman kullanımı yaralanmaları azaltır.
- **İstlenmeyen çalıştırmaları önleyin. Makineyi güç kaynağına ve/veya akü grubuna bağlamadan, kaldırmadan veya taşımadan önce anahtarın kapalı konumunda olduğundan emin olun.** Makineleri parmağınızın güç anahtarındayken taşımak veya açık durumdaki makinelere enerji vermek kazalara yol açabilir.
- **Makineyi açmadan önce ayarlama anahtarlarını veya İngiliz anahtarlarını çıkartın.** Makinenin dönen kısmına takılı bırakılan İngiliz anahtarı veya anahtar yaralanmaya neden olabilir.
- **Makineyi kullanırken erişim alanınızın dışındaki yerlere uzanmaya çalışmayın. Her zaman yere**

- sağlam basın ve dengenizi koruyun.** Bu, makinenin beklenmedik durumlarda daha iyi kontrolünü sağlar.
- **Uygun giyinin. Bol kıyafetler giymeyin veya takı takmayın. Saçınızı ve kıyafetinizi hareketli parçalardan uzakta tutun.** Bol kıyafetler, takılar veya uzun saçlar hareketli parçalara takılabilir.
 - **Cihazlar toz çekme ve toplama takımı bağlantısı ile geldiysen bunların bağlı olduğundan ve düzgün kullanıldığından emin olun.** Toz toplama özelliği, tozla ilgili tehlikeleri azaltabilir.
 - **Makineleri sık kullanmanın verdiği aşinalıkla kendinizi rahat hissedip makine güvenlik ilkelerini görmezden gelmeyin.** Dikkatsiz eylemler bir anda ağır yaralanmalara neden olabilir.

Makine kullanımı ve bakımı

- **Makineyi zorlamayın. Yapacağınız iş için doğru makineyi kullanın.** Doğru makine, tasarlandığı oranda işi daha iyi ve güvenli yapar.
- **Güç anahtarını, makineyi açıp kapatmıyorsa makineyi kullanmayın.** Güç anahtarlarıyla kontrol edilemeyen makineler tehlikelidir ve onarılmalıdır.
- **Herhangi bir ayarlama yapmadan, aksesuar değiştirmeden veya makineleri depolamadan önce makinenin fişini güç kaynağından çekin ve/veya çıkarılabilirse akü grubunu çıkarın.** Bu tür önleyici güvenlik önlemleri, makinenin kazara çalıştırılma riskini azaltır.
- **Kullanılmayan makineleri çocukların erişemeyeceği yerde saklayın ve makineleri veya bu talimatlara yabancı olan kişilerin makineleri çalıştırmasına izin vermeyin.** Makineler, eğitimsiz kullanıcıların elinde tehlikelidir.
- **Makine ve aksesuarların bakımını yapın.** Hareketli parçaların yanlış konumlandırılması veya bağlanması, parçaların kırılması ve makinenin çalışmasını etkileyecek herhangi bir durum olup olmadığını kontrol edin. Hasarlıysa kullanmadan önce makinenin onarılmasını sağlayın. Çok sayıda kaza, yetersiz bakım yapılmış makinelerden kaynaklanmaktadır.
- **Kesme aletlerini keskin ve temiz tutun.** Bakımı düzgün yapılmış, kesici kenarları yeterli keskinlikte olan kesme makinelerinin takılma ihtimali daha az olup kontrol edilmeleri de daha kolaydır.
- **Makine, aksesuarlar, parçalar vb. bileşenleri, çalışma koşullarını ve yapılacak işi göz önünde bulundurarak bu talimatlara uygun şekilde kullanın.** Makinenin tasarlanan amaçlar dışında kullanılması tehlikeli bir duruma yol açabilir.
- **Tutma yerlerini ve kavrama yüzeylerini kuru, temiz, gres ve yağdan arındırılmış halde tutun.** Kaygan tutma yerleri ve kavrama yüzeyleri, beklenmeyen durumlarda makinenin güvenli kullanımına ve kontrolüne izin vermez.

Akülü makine kullanımı ve bakımı

- **Sadece üreticinin belirttiği şarj aletiyle şarj edin.** Bir akü grubu için uygun olan bir şarj aleti başka bir akü grubuyla kullanıldığında yangın riski doğurabilir.

- **Makineleri yalnızca özel olarak belirlenmiş akü gruplarıyla kullanın.** Farklı türde akü gruplarının kullanılması yangın ve yaralanma riski doğurabilir.
- **Akü grubunu, kullanımında değilken ataç, bozuk para, anahtar, çivi, vida veya diğer küçük metal cisimler gibi bir ucun başka bir uca bağlanmasına neden olabilecek cisimlerden uzak tutun.** Akü uçlarının kısa devre yapması yanıklara veya yangına neden olabilir.
- **Zorlayıcı koşullarda aküden sıvı sızabilir; bu sıvıyı dokunmayın. Kazara dokunursanız temas eden kısmı bol suyla yıkayın. Sıvı, göze temas ederse ayrıca doktora başvurun.** Aküden sızan sıvı cildin tahriş olmasına veya yanıklara neden olabilir.
- **Hasarlı veya üzerinde değişiklik yapılmış akü grubunu veya makineyi kullanmayın.** Hasarlı veya üzerinde değişiklik yapılmış aküler; yangın, patlama ya da yaralanma riski ile sonuçlanabilecek beklenmedik durumlara yol açabilir.
- **Akü grubunu veya makineyi ateşe ya da aşırı sıcaklığa maruz bırakmayın.** Bunların ateşe veya 130°C / 265 °F üzeri sıcaklığa maruz kalması patlamaya neden olabilir.
- **Tüm şarj etme talimatlarına uyun ve akü grubunu ya da makineyi talimatlarda belirtilen sıcaklık aralığı dışında şarj etmeyin.** Belirtilen sıcaklık aralığının dışında veya hatalı olarak yapılan şarj işlemleri, aküye zarar verebilir ve yangın riskini artırabilir.

Servis

- **Makinenizin yalnızca aynı yedek parçalar kullanan uzman bir tamirci tarafından onarılmasını sağlayın.** Bu, makinenin güvenliğinin sağlanması için gereklidir.
- **Hasarlı akü gruplarına asla servis işlemi uygulamayın.** Akü gruplarının servis işlemleri yalnızca üretici veya yetkili servis sağlayıcıları tarafından gerçekleştirilmelidir.

Diğer genel güvenlik bilgileri

- **Ürünü başka bir alana taşımadan önce devre dışı bırakın.** Ürünü başka birine verirken her zaman aküyü çıkarın.
- **Ürünü devre dışı bırakmadıysanız ve aküyü çıkarmadıysanız ürünü asla yere koymayın.** Ürünü çıkarken gözetimsiz bırakmayın.
- **Kesim aleti ürün kapatıldıktan sonra hemen durmaz.**
- **Ürünü kullanmadan önce ve herhangi bir darbe sonrasında, yıpranma veya hasar bakımından kontrol edin ve gereken şekilde onarın.**
- **Ürünü kullanırken kesme ataşmanına herhangi bir şey takılırsa ürünü durdurun ve devre dışı bırakın.** Kesme ataşmanının tamamen durduğundan emin olun. Ürünü ve/veya kesme ekipmanını temizlemeden, incelemeyen veya onarmadan önce aküyü çıkarın.
- **Kullanmadan önce ürünü kontrol edin.** *Ürünün üzerindeki güvenlik araçları sayfada: 335 ve Bakım sayfada: 339 bölümlerine bakın.* Hasarlı

- ürünü kullanmayın. Bu kılavuzda belirtilen güvenlik kontrolleri, bakım ve servis talimatlarını uygulayın.
- Hatalı bir kesme ataşmanı kaza riskini artırabilir.
 - Dişlide kir veya çatlak olup olmadığını kontrol edin. Bir fırçayla dişlideki çim ve yaprakları temizleyin. Gerekliğinde eldiven takılmalıdır.
 - Havalandırma deliklerinde döküntü olmadığından daima emin olun.
 - Budama kafasının çim budayıcıya tam olarak bağlanmış olduğunu kontrol edin.
 - Çalıştırmadan önce tüm kapaklar, siperlikler ve tutma yerleri takılmış olmalıdır.
 - Ürünün mükemmel çalışır durumda olup olmadığını kontrol edin. Tüm somunların ve vidaların sıkı olup olmadığını kontrol edin.
 - Budama kafasının ve çim budayıcı siperliğinin hasarsız ve çatlak olup olmadığını kontrol edin. Darbe almış ya da çatlamışsa budama kafası veya çim budayıcı siperliğini değiştirin. Daima, kullandığınız kesme ataşmanı için önerilen siperliği kullanın. Bkz. *Teknik veriler sayfa: 341*.
 - Bu ürün, dikkatli olmamanız ya da ürünü doğru kullanmamanız halinde tehlikeli bir alettir. Bu ürün, sürücü ya da başkaları açısından ciddi yaralanmalara veya ölüme neden olabilir.
 - Bu cihaz, güvenliklerinden sorumlu bir kişi tarafından gözetim altında tutulmadıkları ya da cihazın kullanımına ilişkin talimatlar sağlanmadıkça, fiziksel, duyuusal veya zihinsel yetenekleri sınırlı olan ya da gerekli deneyim ve bilgiye sahip olmayan kişiler (çocuklar dahildir) tarafından kullanılacak üzere tasarlanmıştır. Cihazla oynamadıklarından emin olmak için çocuklar gözetim altında tutulmalıdır.
 - Çocukların makineyi kullanmasına veya yakınında bulunmasına kesinlikle izin vermeyin. Makinenin çalıştırılması kolay olduğundan, çocuklar tam gözetim altında tutulmadıklarında makineyi çalıştırabilirler. Bu da ciddi yaralanma riski doğurur. Bu nedenle, makine yakın gözetim altında olmadığına akü bağlantısını kesin.
 - Çocukların veya ürünün ve/veya akünün kullanımı konusunda eğitilmemiş diğer kişilerin ürünü kullanmasına veya üründe servis işlemleri yapmasına kesinlikle izin vermeyin.
 - Ekipmanı, çocukların ve yetkisiz kişilerin erişemeyeceği şekilde kilitlebilir bir yerde depolayın.
 - Depolama ve taşıma için daima taşıma koruyucusu kullanılmalıdır.
 - Ellerinizi ve ayaklarınızı daima, özellikle de motor çalışırken kesim alanından uzak tutun.
 - Ürün devre dışı bırakıldığında tamamen durana kadar ellerinizi ve ayaklarınızı kesme ataşmanından uzak tutun.
 - Ciddi yaralanmalara neden olabileceğinden, ürün çalışırken veya kesme ekipmanı dönerken kesilen malzemeyi çıkarmayın veya başka kişilerin kesilen malzemeyi çıkarmasına izin vermeyin.

- İnsanların veya mallarının kazalara veya tehlikelere maruz kalmasını önlemenin operatör olarak sizin sorumluluğunuzda olduğunu unutmayın.
- Üreticinin izni alınmadan ürün tasarımı hiçbir şekilde değişiklik yapamaz. Her zaman orijinal aksesuarlar kullanın. Onaylanmamış değişiklikler ve/veya aksesuarlar operatör veya başkaları açısından ciddi yaralanmalara veya ölüme neden olabilir. Garantiniz, onaylanmamış aksesuarların veya yedek parçaların kullanılmasından kaynaklanan hasarı kapsamaz veya bunlar için sorumluluk kabul etmez.
- Bu ürün ile birlikte kullanabileceğiniz tek aksesuar, Aksesuarlar bölümünde önerilen kesme ataşmanlarıdır. Bkz. *Aksesuarlar sayfa: 342*.
- Orijinal teknik özellikleri herhangi bir şekilde değiştirilmiş bir ürünü asla kullanmayın
- Arızalı bir ürünü kesinlikle kullanmayın. Bu kılavuzda belirtilen güvenlik kontrolleri ile bakım ve servis talimatlarına uyun. Bazı bakım ve servis işlerinin sadece yetkili ve kalifiye teknisyenler tarafından yapılması gerekir. Bakım başlığı altındaki talimatlara bakın.
- Kötü hava şartlarında çalışmak yorucu olabilir ve genellikle beraberinde tehlikeler getirir. Beraberinde getirebileceği riskler nedeniyle makinenin yoğun sis, sağanak yağmur, şiddetli rüzgar, aşırı soğuk veya yıldırım düşme riskinin olduğu durumlar gibi çok kötü hava koşullarında kullanılması tavsiye edilmez
- Asla tam anlamıyla sabitlenmemiş bir merdiven, tabure veya diğer yüksek konumlar üzerinde çalışmayın.
- Boşta Duran Cihazları İç Mekanlarda Saklayın. Cihazlar, kullanılmadıklarında iç mekanlarda saklanmalıdır
- Karşılaşabileceğiniz tüm olası durumları ele almak mümkün değildir. Her zaman dikkatli ve sađduyulu olun. Kontrol edemeyeceğiniz düşündüğünüz tüm durumlardan kaçının. Bu talimatları okuduktan sonra çalıştırma prosedürleri konusunda hala emin olmadığınız noktalar varsa devam etmeden önce bir uzmana danışmalısınız.
- Çalışırken hiçbir insan veya hayvanın 15 metreden (50 ft) fazla yaklaşmadığından emin olun. Aynı çalışma alanında birkaç operatör çalıştığında güvenli mesafe en az 15 metre (50 ft) olmalıdır. Aksi takdirde ciddi yaralanma riski vardır. Herhangi biri yaklaşırsa ürünü derhal durdurun. Güvenlik bölgesi içinde kimsenin bulunmadığından emin olmak için arkanızı kontrol etmeden ürünü asla sallamayın.
- İnsanların, hayvanların veya diğer nesnelere ürün kontrolünüzü etkilemeyeceğinden veya bunların kesme ataşmanıya ya da kesme ataşmanının fırlattığı sabit olmayan nesnelere temas etmeyeceğinden emin olun. Buna rağmen bir kaza durumunda yardım isteyemeyecseniz ürünü kullanmayın.
- Güvenli bir şekilde hareket edebildiğinizden ve ayakta durabildiğinizden emin olun. Ani hareket etmeniz gerekebileceğini göz önünde bulundurarak çevrenizdeki olası engelleri (kökler, taşlar, dallar,

çukurlar vs.) kontrol edin. Eğimli yüzeyde çalışırken çok dikkatli olun.

- Yürüyün, asla koşmayın.
- Çalışma alanını inceleyin. Taş, kırık cam, çivi, çelik tel, ip vb. fırlatabilecek veya kesiciye ya da kesici siperliğine dolaşabilecek tüm sabit olmayan nesnelere dikkat edin.
- Keserken fırlatabilecek dal parçalarına dikkat edin. Kesme işlemini yere yakın yapmayın. Taşlar ve diğer nesnelere fırlatabilir.
- Ürün çalıştırıldığında kıyafetlerin veya vücudunuzun kesme ataşmanıyla temas etmemesine dikkat edin. Ürünü bel seviyenizin altında tutun.
- Savrulan nesnelere dikkat edin. Daima onaylanmış bir koruyucu gözlük takınız. Asla kesme ataşmanı siperliği üzerine eğilmeyin. Taşlar, çöpler vb. maddeler gözle fırlatabilir ve körlüğe veya ciddi yaralanmalara neden olabilir.
- Kulak koruma ekipmanı taktığınızda uyarı sinyallerine veya bağırma seslerine karşı dikkatli olun. Ürün durur durmaz kulak koruma ekipmanınızı mutlaka çıkarın.
- İstenmeyen titreşimler oluşursa misinayı doğru uzunluğuna getirmek için yeni misinaya hafifçe dokunarak titreşimleri durdurun.
- Ürün anormal şekilde titriyorsa ürünü durdurun ve aküyü çıkarın.
- Titreşime aşırı ölçüde maruz kalmak, dolaşım bozukluğu olan kişilerde dolaşım veya sinir sistemi hasarına yol açabilir. Titreşime aşırı maruz kalma belirtileri yaşıyorsanız doktorunuza danışın. Bu belirtiler arasında uyuşma, his kaybı, karıncalanma, iğnelenme, acı, güç kaybı, cilt renginde veya deride renk değişikliği bulunmaktadır. Bu belirtiler çoğunlukla parmaklarda, ellerde veya bileklerde ortaya çıkar.
- Ürünü daima iki elinizle tutun. Ürünü vücudunuzun sağ tarafında tutun.

Kişisel koruyucu ekipman



UYARI: Ürünü kullanmadan önce aşağıdaki uyarı talimatlarını okuyun.

- Ürünü kullanırken daima onaylı kişisel koruyucu ekipmanları kullanın. Kişisel koruyucu ekipmanlar yaralanma riskini tamamen engelleyemez ancak bir kaza durumunda yaralanmanın derecesini azaltır. Bayinizin doğru ekipmanı seçmenize yardımcı olmasını sağlayın.
- Nesnelere düşme riski bulunan yerlerde koruyucu kask kullanın.
- Yeterli gürültü azaltması sağlayan onaylı kulak koruma ekipmanını kullanın. Uzun süre gürültüye maruz kalınması sürekli işitme bozukluğuna yol açabilir.
- Onaylı koruyucu gözlük kullanın. Vizör kullanıyorsanız onaylı koruma gözlüğü de

kullanmanız gerekir. Onaylı koruma gözlüğü ABD'de ANSI Z87.1 veya AB ülkelerinde EN 166 standardıyla uyumlu olmalıdır.

- Yüz koruması için vizör kullanın. Vizör, göz koruması için yeterli değildir.

(Şek. 9)

- Kesme donanımını takma, kontrol etme veya temizleme gibi eldiven gerektiren durumlarda eldiven kullanın.

- Sağlam, kaymaz botlar kullanın.
- Sağlam kumaştan yapılmış kıyafetler kullanın. Daima kalın ve uzun pantolonlarla uzun kollu kıyafetler kullanın. Çallara ve dallara takılabilecek bol kıyafetler kullanmayın. Takı takmayın; şort, sandalet giymeyin veya çıplak ayakla dolaşmayın. Şapcınızı güvenli bir şekilde omuz hizasının üzerinde toplayın.

(Şek. 10)

- İlk yardım ekipmanını yakında bulundurun.

(Şek. 11)

Ürünün üzerindeki güvenlik araçları



UYARI: Ürünü kullanmadan önce aşağıdaki uyarı talimatlarını okuyun.

Bu bölümde ürünün güvenlik özellikleri, amacı ve ürünün düzgün çalışması için bakım ve kontrollerin nasıl yürütülmesi gerektiği açıklanmaktadır. Ürününüzde bu parçaların nerede bulunduğunu görmek için *Giriş sayfa*: 331 başlığı altındaki talimatları okuyun.

Ürün bakımı doğru olarak yapılmazsa ve servis ve/veya onarım işlemleri profesyonel olarak uygulanmazsa ürünün kullanım ömrü azalabilir ve kaza riski artabilir. Daha fazla bilgiye ihtiyacınız olursa lütfen en yakın servis bayisiyle iletişime geçin.



UYARI: Güvenlik bileşenleri hasarlı olan bir ürünü asla kullanmayın. Ürünün güvenlik donanımı bu bölümde açıklandığı gibi kontrol edilmeli ve bakıma alınmalıdır. Ürününüz bu kontrollerden herhangi birini geçemezse onarım için servis noktanıza iletişime geçin.



DİKKAT: Makine üzerindeki tüm servis ve onarım işlemleri özel eğitim gerektirir. Bu durum özellikle makinenin güvenlik ekipmanı için geçerlidir. Makineniz aşağıda açıklanan kontrollerden herhangi birinden geçemezse servis noktasıyla iletişime geçmelisiniz. Herhangi bir ürünü satın aldığınızda profesyonel onarım ve servis hizmetlerinin mevcut bulunduğunu garanti etmekteyiz. Makinenizi satan bayi bir servis bayisi

değilse size en yakın servis noktasının adresini sorun.

Akü güvenliği



UYARI: Ürünü kullanmadan önce aşağıdaki uyarı talimatlarını okuyun.

Kullanıcı arayüzünü kontrol etme

1. Açma/Kapatma düğmesini (A) basılı tutun. (Şek. 12)
 - a) Ekran (B) açıldığında ürün çalışıyor demektir.
 - b) Ekran kapandığında ürün de kapanmış olur.
2. Ekrandaki uyarı göstergesi yanıyor veya yanıp sönüyorsa bkz. *Tuş takımı sayfa: 340.*

Güç tetiği kilidini kontrol etme

Güç tetiği kilidi, kazara çalıştırılmayı önlemek üzere tasarlanmıştır. Güç tetiği kilidini ileri (A) ittiğinizde ve ardından güç tetiği kilidini tutma yerine (B) bastırdığınızda güç tetiği (C) serbest kalır. Tutma yerini bıraktığınız anda güç tetiği ve güç tetiği kilidi orijinal konumlarına geri döner. Bu hareket, üç bağımsız yay tarafından gerçekleştirilir. (Şek. 13)

1. Kilit ilk konumundayken güç tetiğinin kilitleti olduğundan emin olun. (Şek. 14)
2. Güç tetiği kilidini ileri (A) ve aşağı doğru itin. Güç tetiği kilidini tutma yerine (B) bastırarak tutun ve serbest bıraktığınızda ilk konumuna döndüğünden emin olun. (Şek. 15)
3. Güç tetiğinin ve güç tetiği kilidinin serbestçe hareket ettirdiğinden ve dönüş yaylarının düzgün çalıştığından emin olun. (Şek. 16)
4. Ürünü Açık konuma getirmek için Açma/Kapatma düğmesine basın.
5. Tam hız uygulayabilmek için güç tetiğine tamamen bastırın.
6. Güç tetiğini serbest bırakın ve kesme ataşmanın durduğundan ve sabit kaldığından emin olun.

Montaj için güvenlik talimatları



UYARI: Bu güç ünitesi kılavuzuyla birlikte onaylı aksesuar kılavuzunu da okuyun.

- Ürünü monte etmeden önce aküyü üründen çıkarın.
- Onaylı koruyucu eldivenleri kullanın.
- Hasarlı veya yanlış bir siperlik yaralanmalara olabilir. Onaylı siperlik takılı olmayan bir kesme ataşmanını kullanmayın.
- Ürünü çalıştırmadan önce kapağı ve mili doğru şekilde monte ettiğinizden emin olun.
- Ataşmanla birlikte bir kuşam askılık verilirse bu kuşam askılık ürüne doğru şekilde takılmalıdır. Kuşam askılık çalışmayı güvenli hale getirir ve operatörün veya diğer kişilerin yaralanmasını önler.

Akü şarj cihazı güvenliği



UYARI: Ürünü kullanmadan önce aşağıdaki uyarı talimatlarını okuyun.

- Güvenlik talimatlarına uyulmaması durumunda elektrik çarpması veya kısa devre riski vardır.
- Ürününüz için verileden başka akü şarj cihazı kullanmayın. Husqvarna onaylı aküleri şarj etmek için yalnızca Husqvarna onaylı akü şarj cihazlarını kullanın. Talimatlar için *Teknik veriler sayfa: 341* bölümüne bakın.

- Akü şarj cihazını parçalarına ayırmaya çalışmayın.
- Hasarlı veya düzgün çalışmayan bir akü şarj cihazını kullanmayın.
- Akü şarj cihazını güç kablosundan tutup kaldırmayın. Akü şarj cihazını duvar prizinden çıkarmak için fişi çekin. Güç kablosunu çekmeyin.
- Tüm kabloları ve uzatma kablolarını sudan, yağdan ve keskin köşelerden uzakta tutun. Kablonun kapı, çit veya benzeri yerlere takılmadığından emin olun.
- Akü şarj cihazını, yanıcı malzemelerin veya korozyona neden olabilecek malzemelerin yakınında kullanmayın. Akü şarj cihazının üstünün kapalı olmadığından emin olun. Duman veya ateş çıkması durumunda akü şarj cihazının fişini çekip çıkarın.
- Aküyü yalnızca kapalı alanda, iyi hava akışı olan ve güneş ışığından uzak bir yerde şarj edin. Aküyü dış mekanda şarj etmeyin. Aküyü ıslak koşullarda şarj etmeyin.
- Akü şarj cihazını yalnızca 5°C (41°F) ile 40°C (104°F) arasındaki sıcaklıklarda kullanın. Şarj cihazını iyi hava akışı olan kuru ve tozsuz bir ortamda kullanın.
- Akü şarj cihazının soğutma deliklerine herhangi bir nesne koymayın.
- Akü şarj cihazında kısa devre oluşabileceği için şarj cihazının terminallerini metal nesnelere bağlamayın.
- Hasarlı olmayan onaylı duvar prizlerini kullanın. Akü şarj cihazı kablosunun hasarlı olmadığından emin olun. Uzatma kabloları kullanılıyorsa uzatma kablolarının hasarlı olmadığından emin olun.

Bakım için güvenlik talimatları



UYARI: Ürün üzerinde bakım yapmadan önce aşağıdaki uyarı talimatlarını okuyun.

- Bakım ve diğer kontrolleri gerçekleştirmeden veya ürünü monte etmeden önce aküyü çıkarın.
- Operatör, yalnızca kullanım kılavuzunda gösterilen bakım ve servis işlemlerini uygulamalıdır. Daha geniş çaplı bakım ve servis için servis bayinizle iletişime geçin.
- Aküyü veya akü şarj cihazını suyla temizlemeyin. Güçlü deterjanlar plastiğe zarar verebilir.
- Bakım yapmamanız ürünün kullanım ömrünü azaltır ve kaza riskini artırır.
- Ürünün güvenlik araçları başta olmak üzere tüm servisi ve onarım işlemleri için özel eğitim gerekir. Bakım yaptıktan sonra bu kullanım kılavuzundaki tüm kontroller onaylanmazsa servis bayinizle iletişime geçin. Ürününüz için profesyonel onarım ve servis hizmetinin mevcut olduğunu garanti ederiz.
- Sadece orijinal yedek parça kullanın.
- Kesme donanımını onarıırken her zaman ağır hizmet tipi eldiven giyin. Bıçaklar çok keskindir ve kolaylıkla yaralanmalara neden olabilir.

Montaj

Yarım daire şeklindeki tutamağı monte etme

1. Yarım daire şeklindeki tutma yerini milin üzerinde okların arasına takın. Etiket üzerine yarım daire şeklinde tutamak veya süspansiyon halkası yerleştirmeyin. (Şek. 17)
2. Ara parçayı yarım daire şeklindeki tutma yerinde bulunan yuvaya takın.
3. Somunu, düğmeyi ve vidayı takın; hafifçe sıkıştırın.
4. Ürünü rahat bir kullanım pozisyonuna ayarlayın.
5. Cıvatayı sıkın.

İki parçalı mili monte etme

1. Bağlantıyı gevşetmek için düğmeyi çevirin. (Şek. 18)
2. Tırnağı (A) bağlantıdaki ok (B) ile hizalayın. (Şek. 19)
3. Mili, tıklama sesiyle birlikte yerine oturana kadar bağlantının içine doğru itin. (Şek. 20)

4. Topuzu tamamen sıkın. (Şek. 21)

İki parçalı milin sökülmesi

1. Bağlantıyı gevşetmek için düğmeyi 3 tur veya daha fazla çevirin. (Şek. 22)
2. Düğmeye (C) basılı tutun.
3. Motorun takılı olduğu milin ucunu sıkıca tutun.
4. Ataşmanı kaplından çekip çıkarın. (Şek. 23)

Varsa süspansiyon halkasını takma

1. Süspansiyon halkasını arka tutma yeri ve yarım daire şeklindeki tutamak üzerindeki okların arasına takın. (Şek. 24)

Not: Yarım daire şeklindeki tutamağı çıkartmanın üzerine yerleştirmeyin.

2. Ürün dengeli ve kullanımını kolay hale gelecek şekilde halkayı ayarlayın.

Çalışma

Giriş



UYARI: Ürünü kullanmadan önce güvenlik bölümünü okuyup anlayın.

Husqvarna Connect

Husqvarna Connect, mobil cihazınız için ücretsiz bir uygulamadır. Husqvarna Connect uygulaması, Husqvarna ürününüz için ayrıntılı işlevler sunar.

- Ayrıntılı ürün bilgileri.
- Ürün parçaları ve servis hakkında bilgi ve yardım.

Husqvarna Connect uygulamasını kullanmaya başlamak için

1. Husqvarna Connect uygulamasını mobil cihazınıza indirin.
2. Husqvarna Connect uygulamasında kaydolun.
3. Ürünü bağlamak ve kaydetmek için Husqvarna Connect uygulamasındaki talimatları izleyin.

Not: Husqvarna Connect uygulaması tüm pazarlarda indirilemez. Daha fazla bilgi için lütfen servis bayinizle görüşün.

Aküyü ürüne bağlama



UYARI: Üründe yalnızca Husqvarna orijinal akülerini kullanın.

1. Akünün tamamen şarj olduğundan emin olun.
2. Aküyü, ürünün akü tutucusuna yerleştirin. Akü yerine kilitlendiğinde bir tıklama duyarsınız. (Şek. 25)



DİKKAT: Akü, akü yuvasına rahatça geçmiyorsa akü doğru şekilde takılmamış demektir. Bu, üründe hasara neden olabilir.

3. Akünün doğru şekilde takıldığından emin olun.

Aküyü şarj etme

Not: Aküyü ilk defa kullanacaksanız şarj edin. Yeni bir akünün şarjı %30 seviyesindedir.

1. Akünün kuru olduğundan emin olun.
2. Aküyü, akü şarj cihazına yerleştirin. (Şek. 26)

Not: Akü ve akü şarj cihazı farklı modeller arasında farklı görünebilir ancak prosedür aynıdır.

3. Akü şarj cihazının üzerindeki yeşil şarj ışığının yandığından emin olun. Bu, akünün akü şarj cihazına düzgün bir şekilde bağlandığını gösterir.
4. Akü üzerindeki tüm LED'ler yandığında akü tam olarak şarj olmuştur. (Şek. 27)
5. Akü şarj cihazının duvar prizine bağlantısını kesmek için fişi çekin. Kabloyu çekmeyin.
6. Aküyü, akü şarj cihazından çıkarın.

Not: Daha fazla bilgi için akü ve akü şarj cihazı kılavuzlarına başvurun.

Çalıştırma pozisyonu

- Ürünü 2 elinizle tutun.
- Ürünü vücudunuzun sağ tarafında tutun.
- Kesme donanımını bel seviyenizin altında tutun.
- Uzunlarınızı sıcak yüzeylerden uzak tutun.
- Uzunlarınızı kesme donanımından uzak tutun.

Ürünü çalıştırmadan önce

- Araziyi tanımak, zeminin eğimini öğrenmek ve taş, dal veya çukur gibi engeller olup olmadığını anlamak için çalışma alanını inceleyin.
- Ürünü genel olarak gözden geçirin.
- Bu kılavuzda verilen güvenlik muayenelerini, bakımı ve servisi yapın.
- Tüm kapakların, siperliklerin, tutma yerlerinin ve aksesuarların doğru şekilde takıldığından ve hasarsız olduğundan emin olun.

Ürünü çalıştırma

1. Yeşil LED yanana kadar Açma/Kapatma düğmesini basılı tutun. (Şek. 28)
2. Hızı kontrol etmek için güç tetiğini kullanın.

Maksimum hızı mod düğmesiyle sınırlama

Üründe mod düğmesi bulunur. Operatör, mod düğmesiyle maksimum hızı sınırlayabilir. Mod düğmesinin 3 hız seviyesi vardır. Düşük seviyeler, ürünün çalışma süresini artırır. Mod düğmesinin 3 hız seviyesi vardır. Düşük seviyeler, ürünün çalışma süresini artırır. Çalışma tam hız/tam güç gerektirmiyorsa seviye 1 ve seviye 2'yi kullanın. Çalışma koşulu tam hız/tam güç gerektiriyorsa seviye 3'ü kullanın. Çalışma için gerekenden daha yüksek bir seviye kullanmayın.

1. Maksimum hıza bir limit ayarlamak için mod düğmesine basın. Beyaz LED'ler yanarak işlevin açıldığını gösterir. (Şek. 29)
2. Sonraki hız seviyesini seçmek için Mod düğmesine tekrar basın.

Otomatik kapatma işlevi

Üründe, 3 dakika boyunca çalıştırmamanız halinde ürünü Kapalı konuma getiren bir otomatik kapatma işlevi bulunur.

Ürünü durdurma

1. Güç tetiğini veya güç tetiği kilidini serbest bırakın.

2. Açma/Kapatma düğmesine basın. (Şek. 30)
3. Aküdeki çıkarma düğmelerine basın ve aküyü çıkarın. (Şek. 31)

Bakım

Giriş



UYARI: Herhangi bir bakım işlemi yapmadan önce güvenlik bölümünü okuyup anlamalısınız.

Ürün üzerinde yapmanız gereken bakım adımları aşağıda listelenmiştir. Bakım programında belirtilen bakım işlemlerine ek olarak, Husqvarna servis bayisi tarafından ürüne düzenli bakım yaptırın. Servis aralıkları hakkında daha fazla bilgi için Husqvarna servis bayinize görüşün.

Bakım takvimi



UYARI: Bakım yapmadan önce aküyü çıkarın.

Bakım	Günlük	Haftalık	Aylık
Ürünün dış parçalarını kuru bir bezle temizleyin. Su kullanmayın.	X		
Güç düğmesinin düzgün çalıştığından ve hasarlı olmadığından emin olun.	X		
Güç tetiğinin ve güç tetiği kilidinin güvenlik açısından doğru çalıştığından emin olun.	X		
Tüm kontrollerin çalıştığından ve zarar görmediğinden emin olun.	X		
Tutma yerlerini kuru, temiz, gres ve yağdan arındırılmış halde tutun.	X		
Vida ve somunların sıkı olduğundan emin olun.	X		
Aküdeki serbest bırakma düğmelerinin çalıştığından ve aküyü ürüne sabitlediğinden emin olun.	X		
Akünün zarar görmemiş olduğundan emin olun.	X		
Akünün şarj edilmiş olduğundan emin olun.	X		
Akü şarj cihazının hasarlı olmadığından ve doğru şekilde çalıştığından emin olun.	X		
Tüm kabloları, kaplinleri ve bağlantıları kontrol edin. Bunların zarar görmediğinden ve kirden arındırılmış olduğundan emin olun.		X	
Akü ile ürün arasındaki bağlantıları kontrol edin. Akü ile akü şarj cihazı arasındaki bağlantıyı kontrol edin.			X

Ürünü, aküyü ve akü şarj cihazını temizleme

1. Kullandıktan sonra ürünü kuru bir bezle temizleyin.
2. Aküyü ve akü şarj cihazını kuru bir bezle temizleyin. Pil kılavuz raylarını temiz tutun.

3. Aküyü, akü şarj cihazına veya ürüne yerleştirmeden önce akü ve akü şarj cihazının terminallerinin temiz olduğundan emin olun.

İki parçalı mil

Tahrik milinin ucuna her 30 saatlik kullanımdan sonra gres uygulayın. İki parçalı mile sahip modellerde

Sorun giderme

Tuş takımı

LED ekran	Olası arızalar	Olası işlem
Yeşil LED yanıp sönüyor	Düşük akü voltajı.	Aküyü şarj edin.
Yanıp sönen kırmızı hata LED'i	Aşırı yük.	Kesme donanımı sıkışmıştır. Ürünü devre dışı bırakın. Pili çıkarın. Kesme donanımını istenmeyen malzemelerden temizleyin.
	Sıcaklık değişimi.	Ürünün soğumasını bekleyin.
	Güç tetiği ve çalıştırma düğmesi-ne aynı anda basılmalıdır.	Güç tetiğini bıraktığınızda ürün aktif hale gelir.
Ürün çalışmıyor	Akü konektörlerinde kir var.	Basınçlı hava veya yumuşak bir fırça ile akü konektörlerini temizleyin.
Hata LED'i kırmızı renkte yanıyor	Ürünün servise ihtiyacı vardır.	Servis noktası ile iletişime geçin.

Taşıma, depolama ve atma

Taşıma ve depolama

- Ürün ile birlikte verilen Lityum İyon aküler, Tehlikeli Maddeler Yönetmeliklerinin gereksinimlerini karşılamaktadır.
- Üçüncü taraflar ve aracı nakliye şirketleri de dahil olmak üzere, ticari amaçlı taşıma işlemlerinde ambalaj ve etiketler üzerindeki özel gereksinimlere uyun.
- Ürünü göndermeden önce tehlikeli maddeler konusunda özel eğitim almış bir kişiyle görüşün. Yürürlükteki tüm ulusal yönetmeliklere uyun.
- Aküyü bir ambalaja yerleştireceğiniz zaman açık kontakları bantlayın. Aküyü ambalaj içine hareket etmesini engelleyecek şekilde sıkıca yerleştirin.
- Depolama veya taşıma için aküyü çıkarın.
- Aküyü ve akü şarj cihazını nem ve don olmayan kuru bir yerde saklayın.
- Aküyü statik elektriğin oluşabileceği yerlerde saklamayın. Aküyü metal bir kutuda tutmayın.
- Aküyü, sıcaklığı 5°C/41°F ile 25°C/77°F arasında olan ve doğrudan güneş ışığı almayan bir yerde tutun.
- Akü şarj cihazını, sıcaklığın 5°C / 41°F ile 45°C / 113°F arasında olduğu ve doğrudan güneş ışığı almayan bir yerde depolayın.
- Akü şarj cihazını yalnızca ortam sıcaklığı 5°C/41°F ile 40°C/104°F arasındayken kullanın.

- Uzun süreli depolamadan önce aküyü %30-%50 arasındaki bir seviyeye kadar şarj edin.
- Akü şarj cihazını, kapalı ve kuru bir alanda saklayın.
- Depolama sırasında aküyü akü şarj cihazından uzakta tutun. Çocukların ve diğer izinsiz kişilerin ekipmana dokunmasına izin vermeyin. Ekipmanı kilitleyebileceğiniz bir yerde tutun.
- Uzun süreli depolamadan önce ürünü temizleyin ve ürüne eksiksiz bir bakım yapın.
- Taşıma ve depolama sırasında yaralanmaları veya ürünün hasar görmesini önlemek için taşıma siperliğini kullanın.
- Taşıma sırasında ürünü güvenli bir şekilde sabitleyin.

Akü, akü şarj cihazı ve ürünü atma

Ürün veya ürün ambalajı üzerinde bulunan semboller, bu ürünün evsel atık olmadığını belirtir. Ürünü, elektrikli ve elektronik ekipmanlar için bir geri dönüşüm istasyonunda geri dönüştürün. Bu, çevrenin ve insanların zarar görmemesine yardımcı olur.

Ürününüzü geri dönüştürme hakkında daha fazla bilgi için yerel yetkililer, evsel atık hizmeti veya bayiniz ile görüşün.

Teknik veriler

Teknik veriler

	325iLK
Motor	
Motor tipi	BLDC (fırçasız) 36 V
Çıkış milinin devri, 1/dak	8400
Ağırlık	
Ağırlık (yalnızca güç ünitesi), kg	2,9
Gürültü emisyonu ^{185, 186}	
Ses gücü düzeyi, ölçülmüş dB (A)	89-103
Ses gücü düzeyi, garantili L _{WA} dB (A)	90-106
Gürültü düzeyleri ^{187, 188}	
EN 62841-1 uyarınca ölçülen, operatörün kulağındaki eş değer ses basıncı düzeyi, dB (A):	78-93
Titreşim düzeyleri ^{189, 190}	
EN 62841-1'e göre ölçülen tutma yerlerindeki titreşim düzeyleri, m/sn ²	1,3-5,5 / 1,1-3,1

Onaylı aküler

Akü	BLi200	40-B220X
Tip	Lityum iyon	Lityum iyon
Akü kapasitesi, Ah	5,2	6,0
Nominal voltaj, V	36	36
Ağırlık, kg (lb)	1,3 (2,9)	1,4 (3,1)

¹⁸⁵ 2000/14/AT sayılı AT direktifi uyarınca ses gücü (LWA) olarak çevrede ölçülen gürültü emisyonu düzeyi. Makine için bildirilen ses gücü düzeyi, en yüksek düzeyi veren orijinal kesme ataşmanı ile ölçülmüştür. Garanti edilen ve ölçülen ses gücü arasındaki fark, garantili ses gücünün 2000/14/AT Sayılı Direktif doğrultusunda ölçüm sonucundaki dağılımı ve aynı modelden farklı makineler arasındaki değişimleri de içermesidir.

¹⁸⁶ Gürültü aralığı, ölçülen en düşük ve en yüksek değerleri belirtir.

¹⁸⁷ Makinenin ses basıncı düzeyi için bildirilen verilerdeki tipik istatistik dağılımı (standart sapma) 3 dB (A) şeklindedir ve en yüksek düzeyi veren orijinal ataşmanla ölçülmüştür.

¹⁸⁸ Gürültü aralığı, ölçülen en düşük ve en yüksek değerleri belirtir.

¹⁸⁹ Titreşim düzeyi için bildirilen verilerin tipik istatistik dağılımı (standart sapması) 2 m/sn² şeklindedir. Akü ve yakıtla çalışan ürünlerin titreşim seviyelerini karşılaştırmak için titreşim hesaplayıcıyı kullanın. <https://www.husqvarna.com/uk/services-solutions/vibration-calculator/>.

¹⁹⁰ Gürültü aralığı, ölçülen en düşük ve en yüksek değerleri belirtir.

Onaylı akü şarj cihazları

Akü şarj cihazı	QC330	40-C500X
Giriş voltajı, V	100-240	100-240
Frekans, Hz	50-60	50-60
Güç, W	330	500

Aksesuarlar

Ataşmanlar

Onaylanmış ataşmanlar	Ataşman numarası ¹⁹¹	Ataşman grubu ¹⁹²	Kullanılacak model
Çalı tırpanı ataşmanı BCA850	1	1-10	325iLK
Üfleyici ataşmanı BA101	11	11-20	325iLK
Kenar düzeltici ataşmanı ECA850	21	21-30	325iLK
Kenar düzeltici ataşmanı ESA850	22	21-30	325iLK
Çit düzeltici ataşmanı HA860	32	31-40	325iLK
Uzun milli budama testeresi ataşmanı PAX730	41	41-50	325iLK
Uzun milli budama testeresi ataşmanı PAX1100	42	41-50	325iLK
Testere ataşmanı PA1100	43	41-50	325iLK
Kökten temizlik ataşmanı SR600-2	51	51-60	325iLK
Sert kıllı fırça ataşmanı BR600	52	51-60	325iLK
Çim havalandırıcı ataşmanı DT600	53	51-60	325iLK
Çapalayıcı ataşmanı CA230	54	51-60	325iLK
İleri-geri hareketli ataşman RA850	2	1-10	525iLK

¹⁹¹ Bu, bir ataşman grubundaki onaylanmış ataşmana özel bir numaradır.

¹⁹² Onaylı ataşmanlar, ataşman gruplarına ayrılmıştır. Her ataşman grubunda benzer özellikler ve etiketler bulunur.

Uyumluluk Bildirimi

AB Uyumluluk Bildirimi

Biz, **Husqvarna AB**, SE-561 82 Huskvarna, İsveç, tel: +46-36-146500 olarak tek sorumlu vasfıyla ürüne ilişkin aşağıdaki beyanlarda bulunmaktayız:

Açıklama	Akülü güç ünitesi (Çim Budayıcı)
Marka	Husqvarna
Tıp/Model	325iLK (yalın ünite)
Kimlik	2024 ve sonrası tarihli seri numaraları

aşağıdaki AB direktifleri ve yönetmelikleriyle tamamen uyumludur:

Direktif/Yönetmelik	Açıklama
2006/42/AT	"makinelere ilgili"
2014/30/EMC	"elektromanyetik uyumlulukla ilgili"
2011/65/AB	"tehlikeli maddelerin kısıtlanmasıyla ilgili"
2000/14/AT	"açık alanda gürültüyle ilgili"

ve aşağıdaki standartlar ve/veya teknik özellikler uygulanmıştır: EN ISO 12100:2010, EN 62841-1:2015+AC:2015+A11:2022, EN 62841-4-2:2019+A11:2022+A1:2022, IEC 62841-4-4:2020+A1:2024, IEC 62841-4-6:2022, ISO 11449:1994, EN ISO 11680-1:2021, EN 61000-6-3:2007+A1:2011, EN 61000-6-1:2016, EN IEC 63000:2018.

Türk ithalat şirketi daha fazla bilgi için temas edilecek: Çullas Orman Bahçe ve Tarım Mak. San. Tic. A.Ş.
Yalı Mah. Ziya Gökalp Cad. No:17
Maltepe – 34844 İstanbul / Türkiye
Telefon: +90 216 519 88 82
Faks: +90 216 519 88 78
info@cullas.com.tr



SMP Svensk Maskinprovning AB., Box 4053, SE-904 03 Umeå, Sweden 2006/42/AT ek IX uyarınca gönüllü tip incelemesi gerçekleştirmiştir. Sertifika No: SEC/24/2593.

Onaylanmış kuruluş: SMP Svensk Maskinprovning AB., 2000/14/AT konsey direktifinin ek V hükümleriyle uyumluluğu da doğrulamıştır. Sertifika No: 01/1610/013.

Gürültü emisyonları ile ilgili bilgi için bkz. *Teknik veriler sayfada: 341.*

Huskvarna, 2024-02-01

Stefan Holmberg, AR-GE Direktörü, Teknoloji Yönetimi,
Husqvarna AB, İsveç

Teknik dokümantasyon sorumlusu

目次

はじめに.....	344	トラブルシューティング.....	353
安全性.....	345	搬送、保管、廃棄.....	353
組立.....	350	主要諸元.....	354
Operation(操作).....	350	アクセサリ.....	355
メンテナンス.....	352	適合宣言.....	356

はじめに

用途

このパワーユニットは、認可されたアクセサリと組み合わせた場合のみ機能するペアユニットです。認可さ

れたアクセサリについては、*アクセサリ-355* ページを参照してください。この取扱説明書は、必ず認可されたアクセサリの取扱説明書と併せてお読みください。

製品の概要

(図 1)

1. 取扱説明書
2. 4 mm 六角レンチ
3. ループハンドル
4. ノブ
5. ON/OFF ボタン
6. 速度モードボタン
7. パワートリガーロック
8. ユーザーインターフェイス
9. パワートリガー
10. バッテリー充電器 (アクセサリ)
11. 充電器の充電およびエラーインジケータ
12. バッテリーリリースボタン
13. バッテリー (アクセサリ)
14. LED インジケータ (充電状態の表示)
15. 警告 LED
16. バッテリーインジケータボタン
17. アタッチメント用カップリング

(図 5) 直流。

(図 6) 本製品は EC 指令適合製品です。

(図 7) 製品やパッケージ上のマークは、本製品が家庭ゴミとして取り扱われてはならないことを示します。本製品は適切なリサイクル施設に廃棄しなければなりません。

(図 8) 本製品は防沫仕様です。

yyyywwxxxx

製造番号はシリアルプレートに記載されています。yyyy は製造年、ww は製造された週で、xxxx はシリアル番号です。

注記： バッテリーとバッテリー充電器の外観はモデルによって異なります。

注記： 本製品に付いている他のシンボル / シリアルプレートは、他の販売地域での認定条件を示しています。

製品に表記されるシンボルマーク

(図 2) 警告！本製品の使用には危険が伴います。不注意な取り扱いや誤った取り扱いは作業員や周囲の人などに深刻な、時には致命的な傷害を引き起こすことがあります。本取扱説明書をよくお読みになり、内容を理解することが非常に重要です。本製品をご使用になる前に、この取扱説明書を注意深くお読みいただき、内容をしっかりと把握してください。

(図 3) メンテナンスを行う前に、バッテリーを取り外してください。

(図 4) 定格電圧、V

メーカー

Husqvarna AB

Drottninggatan 2, SE-561 82 Huskvarna, Sweden, tel: +46-36-146500

製品の損傷

以下の場合、当社は製品の損傷について責任を負いません。

- 本製品が誤って修理された場合。
- メーカーによるものではない部品、またはメーカーの認可していない部品を使用して本製品を修理した場合。
- メーカーによるものではないアクセサリ、またはメーカーの認可していないアクセサリを本製品に使用した場合。
- 認定サービスセンターまたは認定販売店で本製品が修理されていない場合。

サポート

本製品のサポートについては、のサポートセクションに移動して、手順、トラブルシューティングガイドにアクセスするか、Husqvarna セルフサービスと製品アシスタントを使用してください（お住まいの地域で利用可能な場合）。本製品のさらなるサポートについては、Husqvarna 販売店にお問い合わせください。

安全性

安全性の定義

警告、注意、注記は、取扱説明書の特に重要な部分を示しています。



警告： 取扱説明書の指示に従わない場合、使用者が負傷したり、死亡したりするか、あるいは付近の人に損傷を与える危険があることを意味します。



注意： 取扱説明書の指示に従わない場合、製品や他の物品、または隣接するエリアに損傷を与える危険があることを意味します。

注記： 特定の状況で必要とされる詳細情報を提供するために使用されます。

パワーツールの一般的な安全上の警告



警告： 本電源ユニットの取扱説明書と併せて、認可されたアクセサリーの取扱説明書も必ずお読みください。



警告： このパワーツールに付属している安全に関する警告、注意事項、図、仕様をすべてお読みください。下記のすべての指示に従わない場合、感電、火災、あるいは深刻な傷害を招くことがあります。

注記： すべての警告や説明は、以後の参考のために保管してください。警告の「パワーツール」とは、電源で作動する（コード付）パワーツールまたはバッテリー駆動（コードレス）のパワーツールを指します。

作業エリアの安全

- 作業場所を清潔に、照明を明るく保ってください。雑然とした場所や暗い場所では事故が起こりやすくなります。
- 可燃性の液体、ガス、ほこりがある場所など、爆発性雰囲気の中で機器を操作しないでください。機器が火花を発生させ、ほこりや気体に引火するおそれがあります。
- 機器の操作中は子供や周囲の人から十分な距離をとってください。注意が散漫になって、操作ミスを引き起こす可能性があります。

セスするか、Husqvarna セルフサービスと製品アシスタントを使用してください（お住まいの地域で利用可能な場合）。本製品のさらなるサポートについては、Husqvarna 販売店にお問い合わせください。

電気保安

- 機器のプラグはコンセントに適合している必要があります。決してプラグを改造しないでください。アダプタープラグを、アース付きの（接地された）機器で使用しないでください。改造されていないプラグおよび型と同じコンセントを使用することで、感電のリスクが低くなります。
- パイプやラジエータ、レンジ、冷蔵庫など、アースの付いた表面または接地された表面に触れないようにしてください。身体がアースまたは接地されていると、感電リスクが高くなります。
- 機器を雨露や湿潤な環境にさらさないでください。機器に水が入ると、感電リスクが高まります。
- コードを本来の目的以外に使用しないでください。コードを持って機器を移動したり、引っ張ったり、電源を抜いたりしないでください。熱やオイル、とがった先端や可動部品にコードを近づけないでください。コードが損傷したり絡まると、感電リスクが高くなります。
- 屋外で機器を操作する場合は、屋外での使用に適した延長コードを使用してください。屋外での使用に適したコードを使用することで、感電の危険性は少なくなります。
- 湿気のある場所で機器を使用しなければならない場合は、電源を保護するために漏電遮断器（RCD）を使用してください。RCDの使用により、感電リスクが低減します。

個人の安全

- 機器を使用するときは、十分に気をつけて慎重に行動し、常識に従ってください。疲労時、医薬品やアルコールの影響が残っている状態で機器を使用しないでください。機器の操作中の一瞬の不注意が重大な人身傷害につながるおそれがあります。
- 身体保護具を使用してください。必ず防護メガネを着用してください。防塵マスクや滑り止め用の安全靴、ヘルメット、イヤマフなどのプロテクティブ装具を使用すると、負傷の危険性が少なくなります。
- 予期せぬ始動を防止してください。電源やバッテリーパックを接続する場合、または機器を持ち運ぶ場合は、必ずスイッチがオフの位置にあることを確認してください。スイッチに指を置いて機器を運んだり、機器のスイッチが入った状態で給電したりすると、事故につながります。
- 機器の電源を入れる前に、調整キーやレンチを外してください。機器の回転部品にレンチやキーが取り付けられたままになっていると、負傷の原因になります。
- 無理な体勢で作業しないでください。常に、安定した足場とバランスを保つようにしてください。これにより、想定外の事態でも機器を安定して制御することができます。

- 適切な服装を心がけてください。ゆったりした衣服や装身具を身につけないでください。可動部に髪の毛や衣服を近づけないでください。ゆったりした衣服や装身具、長髪は可動部に絡まるおそれがあります。
- 集塵装置の接続用装備が提供されている場合、それらが接続されて正しく使用されているか確認してください。集塵装置を使用すると、塵に関連する危険を回避できます。
- 機器を頻繁に使用し慣れることで、安全に関心になり、安全上の注意事項を無視しないでください。不注意な行動により、一瞬で重大な人身事故が発生するおそれがあります。
- バッテリーパックを使用しないときは、ペーパーリップ、コイン、キー、爪きり、ネジなどの金物、あるいは端子間を短絡するおそれがある他の小さな金物から遠ざけるようにしてください。バッテリー端子の短絡は、火傷や火災を引き起こす恐れがあります。
- 劣悪な環境では、液体がバッテリーから漏れ出すことがあります。そのような場合、液体には触れないようご注意ください。もし万が一誤って触れてしまった場合、水で洗い流してください。液体が目に入ってしまった場合、医師の診察を受けてください。バッテリーから漏れ出した液体は、炎症や火傷を引き起こすことがあります。

機器の使用と手入れ

- 機器に無理な力を加えないでください。用途に合った適切な機器を使用してください。適切な機器を使用することで、設計された速度でより良く安全に作業を行います。
- スイッチが機能しない場合は機器を使用しないでください。スイッチで制御できない機器は危険なため、修理する必要があります。
- 機器の調整、アクセサリーの交換、機器の保管時は、電源プラグを外すか、機器からバッテリーパックを取り外してください（着脱可能な場合）。予防的な安全対策を行うことで、誤って機器を始動させる危険性が低下します。
- 使用していない機器は子供の手の届かない所に保管して、機器や機器の取り扱い方法に詳しくない人が操作しないようにしてください。不慣れたユーザーが機器を扱うと危険です。
- 機器とアクセサリーをメンテナンスしてください。可動部品の誤調整や巻き付き、部品の破損、その他、機器の動作に影響する状態がないか確認します。機器が損傷している場合は、修理してから使用してください。多くの事故は、機器のメンテナンス不良によって発生します。
- 切削工具は研いだけ状態で清潔に保ちます。正しくメンテナンスされ、鋭利に保たれたカッティング装置は、挟み込みも少なく、制御が容易です。
- 機器、アクセサリー、ビットなどは、作業条件と作業内容を考慮し、取扱説明書に従って使用してください。想定された用途と異なる作業に機器を使用すると、危険な状況を招くおそれがあります。
- ハンドル部および保持面は乾燥させて、オイルやグリースが付着しないようにきれいな状態を保ってください。ハンドルと保持面が滑りやすいと、想定外の状況下で機器の安全な取り扱いや制御ができません。

バッテリー機器の使用と手入れ

- メーカー指定の充電器のみを使って充電してください。1種類のバッテリーパックのみに適合する充電器は、それ以外のバッテリーパックの充電で使用した場合、火災を起こす恐れがあります。
- 機器には、指定された専用バッテリーパックのみを使用してください。それ以外のバッテリーパックを使用すると、怪我や火災を招く危険があります。

- 損傷した、または改造されたバッテリーパックや機器を使用しないでください。損傷した、または改造されたバッテリーは、予測不可能な挙動を起こし、発火や破裂、障害の原因となる可能性があります。
- バッテリーパックや機器を裸火や高温にさらさないでください。火または 130 °C (265 °F) を超える温度環境にさらすと爆発する恐れがあります。
- すべての充電手順に従ってください。指定された温度範囲外でバッテリーパックまたは機器を充電しないでください。充電を不適切に行ったり、指定された範囲から外れた温度環境で行ったりした場合、バッテリーの損傷や火災発生の危険の増加につながる可能性があります。

サービス

- 機器のサービスは、資格のある修理担当者が、同一の交換部品を使用して行ってください。そうすることで、機器の安全性が維持されます。
- 損傷したバッテリーパックを決して修理しようとししないでください。バッテリーパックの修理は、製造元または認定サービス代理店しか行えません。

その他の一般的な安全情報

- 本製品の電源をオフしてから別のエリアに移動してください。本製品を別の人に渡すときは、必ずバッテリーを外してください。
- 本製品を置くときは、必ず先に電源をオフにして、バッテリーを取り外してください。電源を入れた状態で本製品を放置しないでください。
- 切断ツールは、本製品の電源をオフにした後もすぐには停止しません。
- 本製品の使用前と、何らかの衝撃を受けた後は、磨耗や破損の兆候がないか確認の上、必要であれば修理してください。
- 本製品の操作中に何かがカッティングアタッチメントに挟まった場合は、本製品を停止して、電源をオフにしてください。カッティングアタッチメントが完全に停止していることを確認してください。本製品またはカッティングアタッチメントを清掃、点検、または修理する前に、バッテリーを外してください。
- 使用前に本製品を点検してください。本製品の安全装置 348 ページおよびメンテナンス 352 ページを参照してください。損傷した製品は使用しないでください。この取扱説明書の内容に従って、安全点検、メンテナンス、サービスを行ってください。

- 故障したカuttingアタッチメントを使用すると、事故の危険性が高まる恐れがあります。
- 汚れやヒビがないかギアを点検します。ブラシを使用してギアから草や葉を落とします。必要に応じて、手袋を着用してください。
- 冷却用空気取り入れ口に物が入らないよう常に注意してください。
- トリマーヘッドが完全にトリマーに装着されているか確認します。
- 始動する前に、すべてのカバーやガード、ハンドルを取り付ける必要があります。
- 本製品が正常に動作することを確認してください。すべてのネットやネジが確実に締められているかどうかを確認します。
- トリマーヘッドとトリマーガードに損傷やひびのないことを確認します。トリマーヘッドやトリマーガードが衝撃を受けたり、ひびが入っていたりした場合は交換します。使用するカuttingアタッチメントに推奨のガードを必ず使用してください。主要語彙 354 ページを参照してください。
- 本製品は、慎重かつ適切に使用しないと、危険な道具となります。本製品により、作業者や付近にいる人が重傷を負う、または死亡するおそれがあります。
- 本機は、正常な体力や感覚、精神力がない人や、経験や知識のない人（子供を含む）の使用を想定していません。ただし、使用者の安全に責任を持つ人物が本機の使用に関して監督や指導をする場合を除きます。子供が本機で遊ばないように、監視する必要があります。
- 本機を子供に使用させたり、本機の付近に子供を近づけたりしないでください。本機は簡単に始動できるため、十分に監視してなければ子供が始動することも可能です。重大な身体的傷害を引き起こす危険があります。そのため、本機が十分な監視下でない場合はバッテリーを外してください。
- 子供、または本製品やバッテリーの扱いに不慣れた人が本製品を使用しないようにしてください。
- 本機は、鍵のかかる場所に保管し、子供や、承認を受けていない人が触れることのないようにしてください。
- 保管や搬送の際は、必ず搬送用カバーをかけてください。
- 常に切断エリアから手足を離し、特にモーターのスイッチをオンにするときは注意してください。
- 本製品の電源をオフにしてカuttingアタッチメントが完全に停止するまで、カuttingアタッチメントに手や脚を近づけないようにしてください。
- 本製品が作動しているときやカutting装置が回転している最中に、切断対象を外したり、他の人が切断対象を外したりすることがないようにしてください。重症事故の原因になる可能性があります。
- 周囲の人やその所有物をさまざまな事故や危険にさらさないようにする責任は、使用者自身にあることを忘れないでください。
- いかなる理由であれ、製造者の承認を得ることなく本製品に改造を加えないでください。常に純正の部品をお使いください。不認可の改造や付属品は、使用者やその他の人の重傷や致命傷の原因となります。ご了承ください。品質保証されていないアクセサリや交換部品を使用した場合、損害または製造物責任に対して保証が適用されないことがあります。
- 本製品に使用可能なアクセサリは、「アクセサリ」の章で推奨されているカuttingアタッチメントのみです。アクセサリ 355 ページを参照してください。
- 何らかの改造を受け、出荷時の仕様と異なっている製品は、絶対に使用しないでください。
- 本製品に不具合がある場合は絶対に使用しないでください。この取扱説明書の内容に従って、安全点検、メンテナンス、サービスを行ってください。メンテナンスやサービスの内容によっては、専門家でない限りできないものもあります。詳細は、見出し「メンテナンス」の指示を参照してください。
- 悪天候下での作業は疲れやすく、危険性も高まります。濃霧、豪雨、強風、厳寒、落雷の恐れがあるなど、天候が非常に悪い場合はリスクが高まるため、本製品を使用しないことをお勧めします。
- ハシゴ、スツール、その他の不安定な台に乗って作業しないでください。
- 使用しないときは、屋内に本製品を保管してください。
- 起こり得る状況をすべて予測し、対応することは不可能です。常に注意を払い、常識に合った使用方法で操作してください。使用者の能力範囲外であると思われる場合は、操作を行わないでください。これらの注意事項を読んだ後でも、不明点などがある場合は、使用を続けずに専門コンサルタントにご相談ください。
- 作業中に、人や動物が 50 フィート (15 m) 以内に近づかないよう注意してください。同じエリアに数人の作業者がいる場合、安全距離を 50 フィート (15 m) 以上とする必要があります。重傷事故のおそれがあります。誰かが近づいたら、すぐに本製品を停止してください。本製品を持って向きを変えるときは、まず後ろを確認して、安全距離内に誰もいないように徹底してください。
- 人、動物、その他の物体が本製品の操作を妨げたり、カuttingアタッチメントに触れたり、カuttingアタッチメントによりはじかれた物体に接触したりしないようにしてください。事故のときに助けを求めることができない状況では、本製品を使用しないでください。
- 身体の動きが自由に取れ、足場が良いことを確認してください。とっさに身をかわさなければならない場合に邪魔になる物（木の根、岩、枝、溝など）が周囲にないか確認してください。斜面で作業する場合は、特に注意してください。
- 歩きながら操作し、決して走らないでください。
- 作業エリアを点検します。石や割れたガラス、くぎ、鋼線、ひもなど、固定されておらず飛ばされたりカッターやカッターガードに絡まったりしそうなのをすべて取り除きます。
- 鋸断中に飛んでくる可能性のある枝の切株に注意してください。石やその他の物が飛ばされるおそれがあるため、地面付近で鋸断作業をしないでください。
- 衣服や体の部分が、作動している状態のカuttingアタッチメントに接触しないようにしてください。本製品は腰から下の位置に保持してください。

- 飛んでくる物に気をつけてください。常に認可された防護メガネを着用してください。カッティングアタッチメントガードの上に身を乗り出さないでください。石やごみなどが目に入って、失明したり重傷を負ったりする可能性があります。
- イヤマフを着用している間は、警告信号や叫び声に気をつけてください。エンジンが停止したら、速やかにイヤマフを外してください。
- 異常な振動が発生した場合は、適切な長さまで新たにコードを引き出し、振動を止めてください。
- 異常な振動を شدした場合は、本製品を停止してバッテリーを取り外してください。
- 循環器系の弱い人が振動を長期間受け続けると、循環器障害や神経障害を起こすことがあります。過度の振動を受け続けたために症状が現れた場合は、医師の診断を受けてください。症状にはしびれ、感覚麻痺、ビリビリ感、刺痛、痛み、脱力感、皮膚の色や状態の変化などがあります。これらの症状は通常、指や手の甲、手首に現れます。
- 本製品は常に両手で持つてください。本製品は身体の右側に保持してください。

プロテクティブ装具



警告： 本製品を使用する前に、以下の警告指示をお読みください。

- 本製品を使用するときは、常に、認可された身体保護具を着用してください。身体保護具で怪我を完全に防止できるわけではありませんが、万が一事故が起こった場合、負傷の度合いを軽減することができま。適切な保護具の選択については、販売店にご相談ください。
- 落下物の危険性がある場合には保護ヘルメットを使用してください。
- 騒音を十分に軽減する認可されたイヤマフを着用してください。長時間騒音にさらされることは、恒久的な聴覚障害の原因になることがあります。
- 認可された防護メガネを使用してください。バイザーを使用する場合は、認可された防護ゴーグルも使用する必要があります。認可された保護メガネは、米国の ANSI Z87.1 規格または EU 諸国の EN 166 に適合しなければなりません。
- 顔を保護するためにバイザーを使用してください。眼の保護にはバイザーでは不十分です。

(図 9)

- カッティング装置の取り付け、点検、清掃を行う場合は、必要に応じて保護グローブを着用してください。
- 丈夫で滑りにくいブーツを着用してください。
- 丈夫な素材でできた服を着用してください。常に厚手の長いズボンと長袖を着用してください。小枝や枝が引っかかるようなゆったりした衣服は身につけないでください。宝飾品、半ズボン、サンダルを着用したり、はだして作業したりしないでください。安全のため、髪の毛は肩よりも上にまとめてください。

(図 10)

- 救急器具を近くに準備してください。

(図 11)

本製品の安全装置



警告： 本製品を使用する前に、以下の警告指示をお読みください。

この項では、本製品の安全機能とその目的、本機の正しい動作を確保するための点検とメンテナンスの方法について説明します。本製品の部品の位置については、はじめに 344 ページを参照してください。

本製品のメンテナンスを適切に行わなかったり、専門技術者が整備・修理を行わなかったりすると、本製品の寿命が短くなり、事故発生の危険性が増します。詳しくは、お近くのサービス代理店にお問い合わせください。



警告： 安全装置が損傷している製品は決して使用しないでください。本項目の記載に従って、本製品の安全装置の点検、メンテナンスを行ってください。お持ちの製品がこれらの点検項目を一点でも満たさない場合は、お近くのサービス代理店に修理を依頼してください。



注意： 本機に関するすべてのサービス、修理には、特別な研修が必須です。本機の安全装置には、特に研修が必要です。本取扱説明書の点検に基づき、本機に不具合が見つかった場合は、サービス代理店に連絡してください。弊社の製品を購入されると、専門的な修理とサービスの提供も保証されます。本機を販売した小売店がサービス代理店ではない場合、最寄りのサービス代理店の住所を小売店にお尋ねください。

ユーザーインターフェイスのチェック

1. ON/OFF ボタン (A) を押し続けます。(図 12)
 - a) 製品に電源が入るとディスプレイ (B) が表示されます。
 - b) 製品の電源が切れるとディスプレイが消えます。
2. ディスプレイに警告インジケータが表示されている、または点滅している場合は、Keypad (キーパッド) 353 ページを参照してください。

パワートリガーロックの点検

パワートリガーロックは操作ミスを防ぐためのものです。パワートリガーロックを前方 (A) に押し、次にハンドル (B) に押し込むと、パワートリガー (C) が解放されます。ハンドルから手を放すと、パワートリガーとパワートリガーロックはどちらも元の位置に戻ります。この動作は、個別の 3 つのスプリングで制御されています。

(図 13)

1. ロックが元の位置にあるときに、パワートリガーがロックされていることを確認します。(図 14)

2. パワートリガーロックを前方 (A) に押してから、押し下げます。パワートリガーロックをハンドル (B) 方向に押し、指を放すと元の位置に戻ることを確認します。(図 15)
3. パワートリガーとパワートリガーロックがスムーズに動き、リターンスプリングが正しく機能することを確認します。(図 16)
4. ON/OFF ボタンを押し続けて本製品の電源を入れます。
5. パワートリガーを完全に押し、フルスロットルにします。
6. パワートリガーを放し、カッピングアタッチメントの回転が止まり、静止することを確認します。

- バッテリーは雨から遠ざけて、濡れない状態に維持してください。
- バッテリーはマイクロ波や高圧から保護してください。
- バッテリーを分解したり壊したりしないでください。
- バッテリーから漏れが発生した場合、身体や目に液体が触れないようにしてください。液体に触れた場合、大量の水と石鹸を使用して触れた箇所を洗い流して、医療機関に相談してください。液体が目に入った場合、目をこすらずに十分な水で 15 分以上洗い流し、医療機関に相談してください。
- バッテリーは -10 ~ 40 °C (14 ~ 114 °F) の温度で使用してください。
- バッテリーまたはバッテリー充電器は、水で洗浄しないでください。製品、バッテリー、およびバッテリー充電器の清掃方法 352 ページを参照してください。
- 損傷したバッテリーや正しく動作しないバッテリーは使用しないでください。
- バッテリーはくぎ、ネジ、または宝飾品などの金属から離して保管してください。
- バッテリーは子供が近づけない場所に保管してください。

組み立ての安全注意事項



警告： 本パワーユニットの取扱説明書と併せて、認可されたアクセサリーの取扱説明書もお読みください。

- 本製品を組み立てる前に、本製品からバッテリーを取り外してください。
- 認可された保護手袋を着用してください。
- 損傷しているガードや不適切なガードを使用すると、負傷の原因となる場合があります。認可されたガードが取り付けられていないカッピングアタッチメントは使用しないでください。
- 本製品を始動する前に、カバーとシャフトを正しく取り付けてください。
- アタッチメントにハーネスが付属している場合は、ハーネスを製品に正しく取り付けてください。ハーネスは作業の安全を確保し、作業者や周囲の人の負傷を防止します。

バッテリーの安全



警告： 本製品を使用する前に、以下の警告指示をお読みください。

- 認可された Husqvarna のバッテリーのみを使用してください。認可されたバッテリー 354 ページを参照してください。バッテリーはソフトウェアで暗号化されています。
- 認可された Husqvarna バッテリーは、関連する Husqvarna 製品の電源にのみ使用してください。負傷を防ぐため、このバッテリーを他の装置の電源として使用しないでください。
- 感電するおそれがあります。バッテリーの端子を鍵や硬貨、ネジや他の金属に接触させないでください。バッテリーが短絡する原因になります。
- 充電式ではないバッテリーは使用しないでください。
- バッテリーのエアスロットに物が入らないようにしてください。
- バッテリーは直射日光や熱、裸火から保護してください。バッテリーによりやけどや化学熱傷を負うおそれがあります。



警告： 本製品を使用する前に、以下の警告指示をお読みください。

- 安全注意事項を守らないと、感電や短絡の危険があります。
- 製品の付属品以外のバッテリー充電器は使用しないでください。認可された Husqvarna のバッテリーの充電には、認可された Husqvarna のバッテリー充電器のみを使用してください。手順については、主要諸元 354 ページを参照してください。
- バッテリー充電器を分解しないでください。
- 損傷したバッテリー充電器や正しく動作しないバッテリー充電器は使用しないでください。
- 電源コードを持ってバッテリー充電器を持ち上げないでください。主電源ソケットからバッテリー充電器を取り外す際は、プラグを引っ張ってください。電源コードを引っ張らないでください。
- すべてのケーブルと延長コードが、水や油、または尖った物に接触しないようにしてください。ドア、フェンスなどの障害物の間に、ケーブルが挟まっていないことを確認してください。
- 可燃性の物質や、腐食の原因となる物質の近くでは、バッテリー充電器を使用しないでください。バッテリー充電器の上に覆うものが何もないことを確認してください。煙や火災が発生した場合、バッテリー充電器の電源プラグをコンセントから引き抜いてください。
- バッテリーは、通気がよく直射日光が当たらない屋内でのみ充電してください。屋外でバッテリーを充電しないでください。濡れた状態でバッテリーを充電しないでください。

- バッテリー充電器は、温度が 5～40 °C (41～104 °F) の場所だけで使用してください。充電器は、通気がよく、埃がない、乾燥した環境で使用してください。
- バッテリー充電器の冷却スロットに物が入らないようにしてください。
- バッテリー充電器が短絡するため、充電器の端子を金属物体へ接触させないでください。
- 認可された、損傷していない壁コンセントを使用してください。バッテリー充電器のコードが破損していないことを確認してください。延長ケーブルを使用している場合は、損傷していないことを確認してください。
- 作業者は本取扱説明書に記載されているメンテナンスとサービスだけを実施してください。メンテナンスおよびさまざまなサービスについては、サービス代理店にお問い合わせください。
- バッテリーまたはバッテリー充電器は、水で洗淨しないでください。強い洗剤を使用すると、プラスチックの部品が損傷する場合があります。
- メンテナンスを実施しないと、製品の寿命が短くなり、事故の危険性が増します。
- 特に本製品の安全装置については、すべての整備と修理の作業に特殊な訓練が必要です。メンテナンスを実施した後、この取扱説明書の点検項目の中に不合格の項目があった場合は、サービス代理店にお問い合わせください。当社は、お客様の製品のために、プロフェッショナルな修理と整備を提供することを保証します。
- 純正の交換部品のみを使用してください。
- カuttingアタッチメントを修理する際は、常に丈夫な作業用手袋を使用してください。ブレードの刃先は非常に鋭く、触れると怪我をしやすいためご注意ください。

メンテナンスのための安全注意事項



警告： 本製品のメンテナンスを行う前に、以下の警告指示を読んでください。

- メンテナンス、その他の点検、または製品の組み立てを行う前に、バッテリーを取り外してください。

組立

ループハンドルの組み立て方法

1. ループハンドルを、矢印の間の位置で、シャフトに取り付けます。ループハンドルまたはサスペンションリングをラベルに重ねないでください。(図 17)
2. ループハンドルのスロットにスペーサを入れます。
3. ナット、ノブ、ネジを取り付けます。きつく締めないでください。
4. 本製品が快適な位置にくるように調整します。
5. ボルトを締めます。

ツーピースシャフトの組み立て

1. ノブを回してカップリングを緩めます。(図 18)
2. タブ (A) をカップリング上の矢印 (B) に合わせます。(図 19)
3. カチッと音がして所定の位置に収まるまで、シャフトをカップリングに押し込みます。(図 20)
4. ノブを完全に締め込みます。(図 21)

ツーピースシャフトの取り外し

1. ノブを 3 回転以上回して、カップリングを緩めます。(図 22)

2. ロックボタンを押したまま保持します (C)。
3. モーターに接続した側のシャフトの端をしっかりと保持します。
4. アタッチメントをカップリングから引き出します。(図 23)

サスペンションリングの取り付け(該当する場合)

1. サスペンションリングをリヤハンドルとループハンドルの矢印の間に取り付けます。(図 24)

注記： ループハンドルをラベル上に取り付けないでください。

2. 本製品のバランスが取れ、使いやすくなるようにリングを調整します。

Operation (操作)

はじめに



警告： 本製品を使用する前に、安全に関する章を読んで理解してください。

Husqvarna Connect

Husqvarna Connect は、モバイルデバイス用の無料アプリです。Husqvarna Connect アプリは、お持ちの Husqvarna 製品の拡張機能を提供します。

- 拡張製品情報。
- 製品の部品とサービスに関する情報とヘルプ。

Husqvarna Connect の使い方

1. Husqvarna Connect アプリをモバイルデバイスにダウンロードします。
2. Husqvarna Connect アプリで登録を行います。
3. Husqvarna Connect アプリの指示に従い、本製品を接続して登録します。

注記： Husqvarna Connect アプリは一部の市場ではダウンロードできません。詳しくは、サービス代理店までお問い合わせください。

バッテリーの取り付け方法



警告： 本製品には、Husqvarna の純正バッテリーのみを使用してください。

1. バッテリーがフル充電されていることを確認してください。
2. バッテリーを本製品のバッテリーホルダーに押し込みます。バッテリーがロックされると、カチッという音がします。(図 25)



注意： バッテリーがバッテリーホルダーにスムーズに入らない場合は、バッテリーが正しく取り付けられていません。本製品が損傷する場合があります。

3. バッテリーが正しく取り付けられていることを確認してください。

バッテリーの充電

注記： 初めてバッテリーを使用する場合は、バッテリーを充電してください。新品のバッテリーは 30 % しか充電されていません。

1. バッテリーが濡れていないことを確認してください。
2. バッテリーをバッテリー充電器に取り付けます。(図 26)

注記： バッテリーとバッテリー充電器の外観はモデルによって異なりますが、手順は同じです。

3. バッテリー充電器の緑の充電ライトが点灯していることを確認してください。これにより、バッテリーがバッテリー充電器に正しく接続されていることがわかります。
4. バッテリーの LED がすべて点灯したら、フル充電されています。(図 27)
5. 電源ソケットからバッテリー充電器を取り外す際は、プラグを引っ張ってください。ケーブルを引っ張らないでください。
6. バッテリー充電器からバッテリーを外します。

注記： 詳細については、バッテリーおよびバッテリー充電器の取扱説明書を参照してください。

作業位置

- 本製品は両手で持ってください。
- 本製品は身体の右側に保持してください。
- カuttingアタッチメントは腰から下の位置のままにしてください。
- 熱くなっている表面から身体を離すようにしてください。
- 身体をカuttingブレードから離すようにしてください。

本製品を操作する前に

- 作業エリアの地形の種類や、地面の傾斜を調査し、石、枝、溝などの障害物の有無を確認します。
- 製品の分解検査を実施してください。
- 本書に記載の安全注意事項、メンテナンスおよびサービスを実施してください。
- カバー、ガード、ハンドル、アクセサリーのいずれにも損傷がなく、すべて正しく取り付けられていることを確認してください。

本製品の始動方法

1. 緑色の LED ランプが点灯するまで、ON/OFF ボタンを押し続けます。(図 28)
2. パワートリガーを使用して、速度を制御します。

モードボタンによる最高速度の制限

本製品にはモードボタンが付いています。モードボタンを使用して、最高速度を制限できます。モードボタンには 3 段階の速度レベルがあります。レベルを低くすると、製品の動作時間が長くなります。モードボタンには 3 段階の速度レベルがあります。レベルを低くすると、製品の動作時間が長くなります。最高速度 / 最大出力を必要としない場合は、レベル 1 とレベル 2 を使用します。作業条件によりフルスピードまたはフルパワーが必要な場合は、レベル 3 を使用します。作業に必要なレベルより高いレベルを使用しないでください。

1. モードボタンを押して、制限速度を最高速度に設定します。白色の LED が点灯して、機能がオンであることを示します。(図 29)
2. モードボタンをもう一度押して、次の速度レベルを選択します。

自動シャットダウン機能

本製品には自動シャットダウン機能が搭載されており、3 分以上使用しないとオフになります。

本製品の停止方法

1. パワートリガーまたはパワートリガーロックを放します。
2. ON/OFF ボタンを押します。(図 30)

3. バッテリーリリースボタンを押して、バッテリーを取り出します。(図 31)

メンテナンス

はじめに



警告： メンテナンス作業を行う前に、安全に関する章をお読みになり、内容を理解してください。

本製品に必要なメンテナンス手順のリストは以下のとおりです。メンテナンススケジュールで指定されているメンテナンスに加えて、Husqvarna サービス販売店に製品の整備を定期的に依頼してください。整備間隔については、Husqvarna 販売店にお問い合わせください。

メンテナンスのスケジュール



警告： メンテナンスを実行する前にバッテリーを外してください。

メンテナンス	毎日	毎週	毎月
乾いた布で製品外側の部品を清掃します。水は使わないでください。	X		
電源ボタンが正しく機能し、損傷していないことを確認します。	X		
パワートリガーとパワートリガーのロック機能が、安全面から見て正しく動作することを確認します。	X		
コントロールがすべて機能し、損傷がないことを確認します。	X		
ハンドルを乾燥した清潔な状態に保ち、オイルやグリスが付着しないようにします。	X		
ネジとナットが確実に締められていることを確認します。	X		
バッテリーリリースボタンが正常に作動し、本製品にバッテリーをロックできるか確認します。	X		
バッテリーに損傷がないことを確認します。	X		
バッテリーが充電されていることを確認します。	X		
バッテリー充電器に損傷がなく、正しく動作することを確認します。	X		
すべてのケーブル、カップリング、接続部を点検します。損傷がなく、汚れが付着していないことを確認します。		X	
バッテリーと本製品の接続を確認します。バッテリーとバッテリー充電器の接続を確認します。			X

製品、バッテリー、およびバッテリー充電器の清掃方法

1. 使用後は、製品を乾いた布で拭いてください。
2. バッテリーとバッテリー充電器を、乾いた布で拭いてください。バッテリーガイドトラックは清潔さを保ってください。
3. バッテリーをバッテリー充電器や本製品に入れる前に、バッテリーとバッテリー充電器の端子に汚れがないことを確認してください。

ツーピースシャフト

30 時間運転することにより、ドライブシャフトの端にグリースを塗布します。ツーピースシャフトのモデルのドライブシャフト端（スプラインカップリング）が定期的に潤滑されていない場合、それらが固着する危険性があります。

(図 32)

トラブルシューティング

Keypad (キーパッド)

LED 表示	想定される障害	対応措置
緑色の LED が点滅	バッテリー電圧が低い。	バッテリーを充電してください。
赤いエラー LED が点滅	過負荷	チェンが絡まっています。製品を停止してください。バッテリーを外します。不要なものを取り除いてチェンを清掃してください。
	温度の逸脱。	本製品を冷却してください。
	パワートリガーと作動ボタンが同時に押されている。	パワートリガーを放すと、本製品は作動状態になります。
製品が始動しない	バッテリーコネクタが汚れている。	バッテリーコネクタを圧縮空気がブラシを使用して清掃します。
エラー LED が赤く点灯	製品を点検する必要があります。	サービス代理店に問い合わせてください。

搬送、保管、廃棄

搬送と保管

- 同梱のリチウムイオンバッテリーは、危険物の規制に関する規則に準拠しています。
- 民間の運送業者による商用輸送においては、梱包およびラベル付けに関して所定の要件に従ってください。
- 本製品を発送する前に、危険物に関して特別な訓練を受けた担当者にご相談ください。該当するすべての国内規制に従ってください。
- バッテリーを梱包するときは、露出している端子にテープを貼ってください。バッテリーを固定し、動かないように梱包してください。
- 保管するときや搬送時はバッテリーを外してください。
- バッテリーとバッテリー充電器は、乾燥して湿気や霜がない場所に置いてください。
- 静電気が発生する可能性のある場所に本製品を保管しないでください。バッテリーは金属製の箱に保管しないでください。
- バッテリーは温度が 5 ~ 25°C (41 ~ 77°F) の場所に保管し、直射日光から遠ざけてください。
- バッテリー充電器は温度が 5 ~ 45°C (41 ~ 113°F) の場所に保管し、直射日光から遠ざけてください。
- バッテリー充電器は、周囲温度が 5°C ~ 40°C の場合のみ使用してください。

- バッテリーを長期間保管するときは、充電量を 30 ~ 50 % にしてください。
- バッテリー充電器は、密閉した乾いた場所に保管してください。
- バッテリーの保管中は、バッテリー充電器から遠ざけてください。子供や許可されていない他の人が機器に触れないようにしてください。施錠できる場所に装置を保管してください。
- 製品を長期間保管する場合は、その前に製品を清掃し、よく点検しておいてください。
- 搬送中および保管中に製品が傷いたり損傷したりしないように、製品の移動用ガードを使用してください。
- 搬送中は製品をしっかりと固定してください。

バッテリー、バッテリー充電器、および製品の廃棄

本製品や本製品パッケージ上のマークは、本製品が家庭ゴミではないことを示します。電気・電子機器の再利用を行うため、リサイクル営業所に引き渡します。これにより環境や人への被害を防ぐことができます。

本製品のリサイクルの詳細については、地方自治体、廃棄物処理業者または販売店にお問い合わせください。

主要諸元

主要諸元

	325iLK
モーター	
モータータイプ	BLDC (ブラシレス) 36 V
出力シャフト速度、1/min	8400
質量	
質量 (パワーユニットのみ)、kg	2.9
騒音排出 ^{193, 194}	
実測音響レベル dB (A)	89 ~ 103
音響パワーレベル、保証 L _{WA} dB (A)	90 ~ 106
騒音レベル ^{195, 196}	
使用者の聴覚の等価音圧レベル。EN 62841-1 に従った計測値、dB (A)	78 ~ 93
振動レベル ^{197, 198}	
ハンドルの等価振動レベル。IEC 62841-1 に従って計測、m/s ²	1.3 ~ 5.5/1.1 ~ 3.1

認可されたバッテリー

バッテリー	BLI200	40-B220X
タイプ	リチウムイオン	リチウムイオン
バッテリー容量 (Ah)	5.2	6.0
公称電圧、V	36	36
質量、kg (ポンド)	1.3 (2.9)	1.4 (3.1)

¹⁹³ 環境における騒音の排出は、EC 指令 2000/14/EC に従って、音響パワー (LWA) として測定。本機の騒音レベル報告値は、最高レベルとなるオリジナルのナイロンガードを使用して計測されました。保証音響と計測音響の違いは、保証音響に計測結果のばらつきと、同じモデルの異なる刈払機間の変動が含まれているためです。これは指令 2000/14/EC に則っています。

¹⁹⁴ 騒音の範囲は、測定値の最低値から最高値までを示します。

¹⁹⁵ 報告データでは、本機の音圧レベルの一般的な統計上のばらつき (標準偏差) は 3 dB (A) です。これは、最高レベルの純正のアタッチメントを使用して測定されています。

¹⁹⁶ 騒音の範囲は、測定値の最低値から最高値までを示します。

¹⁹⁷ 報告データによれば、等価振動レベルの一般的な統計上のばらつき (標準偏差) は、2 m/s² です。バッテリー製品および燃焼機関製品の振動レベルの比較には、振動カルキュレータを使用しています (<https://www.husqvarna.com/uk/services-solutions/vibration-calculator/>)。

¹⁹⁸ 騒音の範囲は、測定値の最低値から最高値までを示します。

認可されたバッテリー充電器

バッテリー充電器	QC330	40-C500X
入力電圧、V	100/240	100/240
周波数、Hz	50/60	50/60
電力、W	330	500

アクセサリ

アタッチメント

認可済みアタッチメント	アタッチメント番号 ¹⁹⁹	アタッチメントグループ ²⁰⁰	対応アタッチメント
ブラシカッターアタッチメント BCA850	1	1～10	325iLK
ブロワーアタッチメント BA101	11	11～20	325iLK
エッジャーアタッチメント ECA850	21	21～30	325iLK
エッジャーアタッチメント ESA850	22	21～30	325iLK
ヘッジトリマーアタッチメント HA860	32	31～40	325iLK
ポールソーアタッチメント PAX730	41	41～50	325iLK
ポールソーアタッチメント PAX1100	42	41～50	325iLK
ソーアタッチメント PA1100	43	41～50	325iLK
清掃アタッチメント SR600-2	51	51～60	325iLK
刷毛ブラシアタッチメント BR600	52	51～60	325iLK
デサッチャーアタッチメント DT600	53	51～60	325iLK
カルチベーターアタッチメント CA230	54	51～60	325iLK
レシプロケーターアタッチメント RA850	2	1～10	525iLK

¹⁹⁹ この番号は、アタッチメントグループ内の認可済みアタッチメント固有の番号です。

²⁰⁰ 認可済みアタッチメントは、アタッチメントグループに分類されています。各アタッチメントグループは機能とラベルが類似しています。

適合宣言

EU 適合宣言

ハスクバーナ社 (Husqvarna AB, SE-561 82 Huskvarna, Sweden、電話番号 : +46-36-146500) は、単独責任のもとで、以下の製品の適合を宣言します。

名称	バッテリー駆動のパワーユニット (刈払機)
ブランド	Husqvarna
タイプ / モデル	325iLK (ベアユニット)
ID	2024 年以降の製造番号

が以下の EU 指令および規制を完全に順守し、

指令 / 規制	名称
2006/42/EC	「機械類に関する」
2014/30/EMC	「電磁環境適合性に関する」
2011/65/EU	「有害物質の制限に関する」
2000/14/EC	「屋外の騒音に関する」

および以下の規格または技術仕様が適用されています。

EN ISO 12100:2010, EN

62841-1:2015+AC:2015+A11:2022, EN

62841-4-2:2019+A11:2022+A1:2022, IEC 62841-4-4:

2020+A1:2024, IEC 62841-4-6:2022, ISO 11449:1994,

EN ISO 11680-1:2021, EN 61000-6-3:2007+A1:2011,

EN 61000-6-1:2016, EN IEC 63000:2018.

SMP Svensk Maskinprovning AB, Box 4053, SE-904 03 Umeå, Sweden は 2006/42/EC の付録 IX に準拠した自主試験を実施済みです。証明書番号 : SEC/24/2593。

試験機関 : SMP Svensk Maskinprovning AB, が評議会指令 2000/14/EC の補足 V への同意も確認しました。証明書番号 : 01/1610/013。

騒音排出に関する詳細は、主要諸元 354 ページを参照してください。

Huskvarna, 2024-02-01



Stefan Holmberg、研究開発責任者、技術管理、ハスクバーナ社 (Husqvarna AB, Sweden)

正式代表兼技術文書担当

Sadržaj

Uvod.....	357	Rješavanje problema.....	366
Sigurnost.....	358	Prijevoz, spremanje i zbrinjavanje.....	366
Sastavljanje.....	363	Tehnički podaci.....	367
Rad.....	364	Dodatna oprema.....	368
Održavanje.....	365	Izjava o sukladnosti.....	369

Uvod

Namjena

Ova električna jedinica pogoljena je jedinica koja radi samo s odobrenom opremom. Odobrenu opremu

potražite pod *Dodatna oprema na stranici 368*. Obavezno pročitajte ovaj priručnik, kao i priručnik odobrene opreme.

Pregled proizvoda

(Sl. 1)

1. Korisnički priručnik
2. Imbus ključ od 4 mm
3. Okrugla ručka
4. Gumb
5. Gumb za uključivanje/isključivanje
6. Gumb načina rada za brzinu
7. Blokada okidača paljenja
8. Korisničko sučelje
9. Okidač paljenja
10. Punjač baterije (dodatna oprema)
11. Indikator punjenja i pogreške na punjaču
12. Gumbi za oslobađanje baterije
13. Baterija (dodatna oprema)
14. LED indikator stanja punjenja
15. LED za upozorenje
16. Gumb indikatora baterije
17. Spojnica za nastavak

(Sl. 5) Istosmjerna struja.

(Sl. 6) Proizvod ispunjava mjerodavne direktive EZ.

(Sl. 7) Oznake na proizvodu i ambalaži znače da se proizvod ne smije odlagati zajedno s komunalnim otpadom. Ovaj je proizvod potrebno deponirati u odgovarajući pogon za reciklažu.

(Sl. 8) Proizvod ima zaštitu od prskanja vode.

gggg**tt**oooo

Na natpisnoj pločici je serijski broj. **yyyy** je godina proizvodnje, **ww** je tje-dan proizvodnje, a **xxxx** je redni broj.

Napomena: Baterija i punjač baterije mogu izgledati drugačije na različitim modelima.

Simboli na proizvodu

(Sl. 2) UPOZORENJE! Ovaj proizvod može biti opasan! Neoprezna ili nepravilna upotreba može uzrokovati ozbiljne ili smrtne povrede rukovatelja strojem ili drugih osoba. Vrlo je važno da pažljivo pročitate i dobro razumijete sadržaj ovog priručnika. Prije rukovanja proizvodom pažljivo pročitate korisnički priručnik i usvojite upute.

(Sl. 3) Odspojite bateriju prije održavanja.

(Sl. 4) Nazivni napon, V

Napomena: Drugi simboli/naljepnice na proizvodu odnose se na zahtjeve za certifikaciju na drugim tržišnim područjima.

Proizvođač

Husqvarna AB

Drottninggatan 2, SE-561 82 Huskvarna, Sweden, tel: +46-36-146500

Oštećenje proizvoda

U sljedećim okolnostima nećemo biti odgovorni za oštećenja proizvoda:

- proizvod nepravilno popravljen
- proizvod popravljen dijelovima koje nije proizveo proizvođač ili nemaju odobrenje proizvođača
- proizvod ima dodatnu opremu koje nije proizveo proizvođač ili nemaju odobrenje proizvođača
- proizvod nije popravljen u odobrenom servisnom centru ili kod ovlaštene osobe.

Podrška

Za podršku za proizvod pogledajte odjeljak Podrška u kako biste pristupili uputama, vodičima za rješavanje problema ili kako biste upotrijebili samoposlužne

značajke i pomoćnika za proizvode Husqvarna (ako je dostupan na vašem tržištu). Za dodatnu podršku za proizvod obratite se servisnom zastupniku tvrtke Husqvarna.

Sigurnost

Sigurnosne definicije

Upozorenjima, oprezima i napomenama naglašavaju se posebno važni dijelovi priručnika.



UPOZORENJE: Koristi se kada nepoštivanje uputa iz priručnika može uzrokovati smrt ili ozljede rukovatelja ili promatrača.



OPREZ: Koristi se kada nepoštivanje uputa iz priručnika može uzrokovati oštećenje proizvoda ili drugih materijala u neposrednoj blizini.

Napomena: Koristi se prikaz neophodnih dodatnih informacija za zadanu situaciju.

Opća sigurnosna upozorenja za električne alate



UPOZORENJE: Obavezno pročitajte priručnik za odobrenu opremu zajedno s priručnikom za ovu električnu jedinicu.



UPOZORENJE: Pročitajte sva sigurnosna upozorenja, upute, ilustracije i specifikacije isporučene s ovim električnim alatom. Nepoštivanje svih uputa u nastavku može uzrokovati električni udar, požar i/ili ozbiljne ozljede.

Napomena: Spremite sva upozorenja i upute za buduće potrebe. Pojam „električni alat“ u upozorenjima odnosi se na električni alat koji se napaja kabelom putem mrežne utičnice (ožičeni) ili električni alat na baterije (bežični).

Sigurnost na radnom mjestu

- **Radno mjesto mora biti čisto i dobro osvijetljeno.** Zakrčeni i tamni prostori čest su uzrok nesreća.
- **Nemojte rukovati strojevima u eksplozivnim okruženjima, primjerice u prisutnosti zapaljivih tekućina, plinova ili prašine.** Strojevi stvaraju iskre koje mogu zapaliti prašinu ili isparavanja.

- **Tijekom upotrebe stroja djeci i promatračima onemogućite pristup.** Odlučanje pozornosti može dovesti do gubitka kontrole nad uređajem.

Električna sigurnost

- **Utikači stroja moraju odgovarati utičnicama. Utikači ni pod kojim uvjetima nemojte preinačavati. S uzemljenim strojevima nemojte upotrebljavati adapterske utikače.** Neizmijenjeni utikači i odgovarajuće utičnice smanjuju opasnost od strujnog udara.
- **Izbjegavajte tjelesni kontakt s uzemljenim površinama kao što su cijevi, radijatori, štednjaci i hladnjaci.** Ako vam je tijelo uzemljeno, povećava se opasnost od strujnog udara.
- **Strojeve nemojte izlagati kiši ili mokrim uvjetima.** Voda koja prodire u stroj povećava opasnost od strujnog udara.
- **Pazite na kabel. Kabel nemojte upotrebljavati za prenošenje, povlačenje ili isključivanje stroja. Kabel držite podalje od vrućine, ulja, oštih rubova ili pokretnih dijelova.** Oštećeni ili isprepleteni kabeli povećavaju opasnost od strujnog udara.
- **Kada stroj upotrebljavate na otvorenom, morate upotrebljavati odgovarajući produžni kabel.** Upotrebom kabela predviđenog za rad na otvorenom smanjujete opasnost od strujnog udara.
- **Ako stroj morate upotrebljavati na vlažnom mjestu, upotrijebite uređaj zaštićen zaštitnim uređajem diferencijalne struje (RCD).** Primjenom zaštitnog uređaja diferencijalne struje (RCD) smanjuje se opasnost od strujnog udara.

Osobna sigurnost

- **Budite usredotočeni, pazite što radite i razumno upotrebljavajte stroj. Stroj nemojte upotrebljavati umorni ili pod djelovanjem droga, alkohola ili lijekova.** U trenutku nepažnje tijekom upotrebe stroja može doći do ozbiljnih tjelesnih ozljeda.
- **Upotrebljavajte osobnu zaštitnu opremu. Uvijek nosite zaštitu za oči.** Upotreba zaštitne opreme poput maske za prašinu, protukliznih zaštitnih cipela, kacige i štitnika za uši u odgovarajućim uvjetima smanjuje opasnost od osobnih ozljeda.
- **Spriječite nehotično pokretanje stroja. Prije podizanja ili prenošenja alata ili pak njegova priključivanja na napajanje i/ili bateriju prekidač mora biti u isključenom položaju.** Držanje prsta na prekidaču prilikom prenošenja strojeva ili priključivanje napajanja stroja na kojima je prekidač uključen povećava opasnost od nezgode.

- **Prije uključivanja stroja izvadite sve klinove za prilagodavanje ili ključ.** Ako ključ ili klin ostanu na pokretnom dijelu stroja, može doći do tjelesnih ozljeda.
- **Ne posežite predaleko. Uvijek imajte dobar oslonac i održavajte ravnotežu.** To omogućuje bolju kontrolu stroja u neočekivanim situacijama.
- **Nosite prikladnu odjeću. Nemojte nositi široku odjeću ni nakit.** Kosu i odjeću držite podalje od pomičnih dijelova. Široka odjeća, nakit ili duga kosa mogu zapeti u pokretnim dijelovima stroja.
- **Ako su priloženi uređaji za povezivanje mehanizama za izdvajanje i prikupljanje prašine, pripazite na njihovo pravilno priključivanje i upotrebu.** Upotreba mehanizma za prikupljanje prašine može smanjiti opasnosti uzrokovane prašinom.
- **Ne dopustite da vas uljuljka lažni osjećaj sigurnosti i nemojte zanemarivati sigurnosna pravila koja se odnose na elektroalat čak ni kada ste se, nakon višekratne uporabe, upoznali s radom elektroalata.** Neoprezan rad u djeliću sekunde može uzrokovati ozbiljnu ozljedu.

Upotreba i održavanje stroja

- **Stroj nemojte preopterećivati.** Upotrebljavajte stroj koji odgovara namjeni. Odgovarajućim strojem posao ćete obaviti bolje i sigurnije, brzinom za koju je konstruiran.
- **Stroj nemojte upotrebljavati ako ga nije moguće uključiti i isključiti prekidačem.** Stroj kojim ne možete upravljati s prekidačem opasan je i mora se popraviti.
- **Prije bilo kakvih izmjena, zamjene dodatne opreme ili spremanja stroja, odspojite utikač od izvora napajanja i/ili izvadite baterijski paket iz stroja, ako je to moguće.** Ove preventivne sigurnosne mjere smanjuju opasnost od nehotičnog pokretanja stroja.
- **Strojove koje ne upotrebljavate uskladišite izvan dohvata djece, a osobama koje nisu upoznate sa strojem ili ovim uputama nemojte dopustiti njegovu upotrebu.** Strojevi mogu biti opasni kada njima rukuju neiskusni korisnici.
- **Održavajte stroj i dodatnu opremu. Provjerite usklađenost i povezanost pokretnih dijelova, cjelovitost dijelova te sva druga stanja koja mogu utjecati na rad stroja. Ako postoje oštećenja, stroj popravite prije upotrebe.** Brojne nezgode uzrokovane su lošim održavanjem strojeva.
- **Rezni alati moraju biti oštri i čisti.** Ispravno održavani rezni strojevi s oštrim reznim rubovima teže se zaglavljuju i lakše ih je kontrolirati.
- **Stroj, dodatnu opremu, svrdla itd. upotrebljavajte u skladu s ovim uputama, uzimajući u obzir uvjete rada i posao koji je potrebno obaviti.** Upotreba stroja za radove za koje nije namijenjen može uzrokovati opasne situacije.
- **Ručke i prihvatne površine moraju biti suhe, čiste i bez tragova ulja i masti.** Skliske ručke i rukohvati otežavaju sigurno rukovanje i kontrolu nad strojem u neočekivanim situacijama.

Upotreba i održavanje baterijskog stroja

- **Bateriju punite samo punjačem koji navodi proizvođač.** Punjač prikladan za jednu vrstu baterije može uzrokovati opasnost od požara ako se upotrebljava s drugim baterijskim kompletom.
- **Stroj upotrebljavajte samo uz posebno namijenjene baterijske komplete.** Upotreba bilo kojeg drugog baterijskog kompleta može izazvati rizik od ozljede i požara.
- **Kad baterijski komplet ne upotrebljavate, držite ga dalje od drugih metalnih predmeta poput spojica za papir, novčića, ključeva, čavala, vijaka ili drugih malih metalnih predmeta koji mogu spojiti priključke.** Kratki spoj priključaka baterije može uzrokovati opekline ili požar.
- **U uvjetima lošeg postupanja, iz baterije može štrcnuti tekućina; izbjegavajte dodir s njom. Ako slučajno dođe do dodira, isperite vodom. Ako tekućina dođe u dodir s očima, potražite i liječničku pomoć.** Tekućina koja štrcne iz baterije može izazvati iritacije ili opekline.
- **Nemojte upotrebljavati oštećene ili modificirane baterijske pakete ili stroj.** Oštećene ili izmijenjene baterije mogu se ponašati nepredvidivo te uzrokovati požar, eksploziju ili opasnost od ozljede.
- **Baterijski komplet ili stroj nemojte izlagati plamenu ili neumjerenim temperaturama.** Izlaganje vatri ili temperaturama većima od 130 °C / 265 °F može dovesti do eksplozija.
- **Pridržavajte se svih uputa za punjenje, a baterijski komplet ili stroj nemojte puniti izvan temperaturnog raspona navedenog u uputama.** Neispravno punjenje ili držanje na temperaturama izvan navedenog raspona može oštetiti bateriju i povećati mogućnost od požara.

Usluga

- **Servisiranje stroja prepustite kvalificiranoj stručnoj osobi i upotrebljavajte isključivo identične rezervne dijelove.** Time se osigurava održavanje sigurnosti stroja.
- **Oštećene baterijske komplete nikada nemojte servisirati.** Servisiranje baterijskih kompleta dopušteno je samo proizvođaču ili ovlaštenim servisnim distributerima.

Druge opće sigurnosne informacije

- Isključite proizvod prije prelaska na drugo područje. Obavezno uklonite bateriju uvijek kada proizvod predajete drugoj osobi.
- Nikada nemojte spuštati proizvod ako ga niste isključili i uklonili bateriju. Uključeni proizvod nemojte ostavljati bez nadzora.
- Rezni alat ne zaustavlja se odmah nakon isključivanja proizvoda.
- Prije upotrebe proizvoda i nakon svakog udarca provjerite ima li znakova istrošenosti ili oštećenja te ih po potrebi popravite.

- Ako tijekom pogona dođe do zaglavljenja reznog pribora, zaustavite i isključite proizvod. Provjerite je li rezni pribor potpuno zaustavljen. Prije čišćenja, pregleda ili popravka proizvoda i/ili reznog pribora uklonite bateriju.
- Pregledajte proizvod prije upotrebe. Pogledajte *Sigurnosni uređaji na proizvodu na stranici 361 i Održavanje na stranici 365*. Nemojte upotrebljavati oštećen proizvod. Provodite sigurnosne provjere, održavanje i servis opisane u ovom priručniku.
- Neispravan rezni pribor povećava opasnost od nezgoda.
- Provjerite postoje li onečišćenja i pukotine. Travu i lišće s opreme očistite četkom. Nosite rukavice kada su potrebne.
- Otvori za ventilaciju moraju biti čisti od krhotina.
- Glava trimera mora biti u potpunosti pričvršćena na trimer.
- Svi poklopci, štitnici i ručke moraju biti namješteni prije pokretanja.
- Provjerite je li uređaj u savršenom radnom stanju. Provjerite zategnutost svih matica i vijaka.
- Glava trimera i štitnik trimera ne smiju biti oštećeni ili napukli. Glavu trimera ili štitnik trimera zamijenite ako su bili izloženi udarcu ili ako su napukli. Uvijek upotrebljavajte preporučeni štitnik za specifičan rezni pribor. Pogledajte *Tehnički podaci na stranici 367*.
- Ako ga upotrebljavate neoprezno ili nepravilno, ovaj proizvod je opasan alat. Ovaj proizvod može izazvati teške ozljede ili smrt rukovatelja ili drugih osoba.
- Uređaj ne smiju koristiti osobe (uključujući djecu) s umanjanim fizičkim, osjetilnim ili mentalnim sposobnostima ili nedostatkom iskustva i znanja, osim ako im osoba odgovorna za njihovu sigurnost nije osigurala nadzor ili uputila u sigurno korištenje uređaja. Djecu treba nadzirati kako se ne bi igrala s uređajem.
- Djeci nije dopušteno upotrebljavati proizvod ili se zadržavati u njegovoj blizini. Budući da se uređaj lako pokreće, djeca bi ga mogla pokrenuti ako nisu pod strogim nadzorom. To može rezultirati ozbiljnim tjelesnim ozljedama. Stoga odvojite bateriju kada stroj nije pod strogim nadzorom.
- Upotrebu ili servisiranje proizvoda i/ili baterije nikada nemojte prepustiti djeci ili osobama bez odgovarajuće obuke.
- Opremu spremite u zaključan prostor kako bi bila izvan dohvata djece i neovlaštenih osoba.
- Poklopac za transport mora se obavezno postaviti za skladištenje i transport.
- Ruke i stopala uvijek držite podalje od područja rezanja, naročito prilikom uključivanja stroja.
- Pri isključenju proizvoda šake i stopala držite podalje od reznog pribora sve dok se potpuno ne zaustavi.
- Nemojte uklanjati odrezani materijal ili dopustiti to drugima dok je proizvod u pogonu i rezni pribor se okreće jer to može uzrokovati ozbiljne ozljede.
- Imajte na umu da ste vi kao rukovatelj odgovorni za zaštitu drugih osoba ili njihove imovine od nezgoda ili opasnosti.
- Ni u kojem slučaju ne smijete mijenjati dizajn proizvoda bez odobrenja od proizvođača. Obavezno upotrebljavajte originalnu dodatnu opremu. Neovlaštene izmjene i/ili rezervna oprema može uzrokovati ozbiljne osobne ozljede ili smrt rukovatelja ili drugih osoba. Jamstvo ne mora pokrivati oštećenje ili obuhvaćati odgovornost za upotrebu neovlaštene dodatne opreme ili zamjenskih dijelova.
- Jedina dodatna oprema s kojom je dopušten pogon ovog proizvoda rezni su priključci preporučeni u poglavlju Dodatna oprema. Pogledajte *Dodatna oprema na stranici 368*.
- Nikada nemojte upotrebljavati proizvod koji je na bilo koji način izmijenjen u odnosu na izvorne specifikacije.
- Nikada nemojte upotrebljavati neispravan proizvod. Provodite sigurnosne provjere, održavanje i servis opisane u ovom priručniku. Neke od radnji održavanja i servisiranja moraju provoditi isključivo obučeni i kvalificirani stručnjaci. Upute možete pronaći u odjeljku Održavanje.
- Rad u lošim vremenskim uvjetima umara i često je opasniji. Zbog povećane opasnosti ne preporučuje se upotreba proizvoda po vrlo lošem vremenu, npr. u gustoj magli, po jakoj kiši, snažnom vjetru, intenzivnoj hladnoći ili opasnosti od grmljavinskog nevremena.
- Nikada nemojte raditi s ljestvi, stolice ili drugog nepotpuno osiguranog povišenog položaja.
- Nekorištene uređaje uskladištite u zatvorenom prostoru – kada uređaje ne upotrebljavate, trebate ih uskladištiti u zatvorenom
- Nije moguće obuhvatiti sve situacije s kojima se možete susresti. Uvijek postupajte oprezno i slijedite zdrav razum. Izbjegavajte sve situacije izvan vaših sposobnosti. Ako i nakon čitanja ovih uputa niste sigurni u radne postupke, prije nastavka obratite se stručnjaku.
- Tijekom rada ljudima ili životinjama onemogućite pristup na bliže od 50 ft (15 m). Kada nekoliko rukovatelja radi na istom području sigurnosna udaljenost treba biti barem 50 ft (15 m). U suprotnom može doći do ozbiljnih tjelesnih ozljeda. Ako se netko približi, odmah zaustavite proizvod. Nikada se nemojte okretati s proizvodom bez prethodne provjere sigurnosnog područja iza vas.
- Pobrinute se da ljudi, životinje ili drugi predmeti ne mogu utjecati na vaš nadzor nad proizvodom i da oni ne dolaze u doticaj s reznim priborom ili nepričvršćenim predmetima koje rezni pribor odbacuje. Međutim, proizvod nemojte upotrebljavati ako ne postoji moguće pozivanje u pomoć u slučaju nesreće.
- Osigurajte sigurno kretanje i stav. Provjerite ima li u okolnom području prepreka (korijenja, kamenja,

- grana, rupa i slično) za slučaj naglog kretanja. Budite izuzetno oprezni pri radu na kosini.
- Hodajte, nemojte trčati.
 - Pregledajte radno područje. Uklonite sve slobodne predmete poput kamenja, razbijenog stakla, čavala, čelične žice, konopca, i sl. koji bi mogli biti izbačeni ili omotani oko rezača ili štitnika rezača.
 - Pripazite na panjeve ili grane koje mogu biti izbačene tijekom rezanja. Nemojte rezati preblizu tlu kako ne biste izbacili kamenje i druge predmete.
 - Pri pokretanju proizvoda pazite da niti jedan dio odjeće ili dijela tijela ne dođe u dodir s reznim priborom. Stroj držite ispod razine struka.
 - Pazite na izbačene predmete. Obavezno nosite odobrenu zaštitu za oči. Nipošto se nemojte nagnjati preko štitnika reznog pribora. Kamenje, otpaci i sl. mogu biti odbačeni u oči, što može prouzročiti sljepoću ili ozbiljne ozljede.
 - Uvijek pazite na znakove upozorenja ili dovike prilikom upotrebe zaštite sluha. Obavezno uklonite zaštitu sluha odmah po zaustavljanju proizvoda.
 - Ako se pojave neželjene vibracije, istisnite novi flaks na ispravnu duljinu kako biste zaustavili vibraciju.
 - Ako proizvod počne neuobičajeno vibrirati, zaustavite ga i uklonite bateriju.
 - Preveliko izlaganje vibracijama može uzrokovati poremećaj cirkulacije ili oštećenje živčanog sustava kod ljudi koji sa slabom cirkulacijom. Ako imate simptome uzrokovane prevelikim izlaganjem vibracijama, obratite se liječniku. Simptomi uključuju obamlost, nedostatak osjećaja, škakljanje, trnce, bol, gubitak snage, promjene boje ili stanja kože. Simptomi se uglavnom pojavljuju na prstima, rukama ili zglobovima.
 - Uvijek držite ovaj proizvod objema rukama. Proizvod držite na desnoj strani tijela.

Oprema za osobnu zaštitu



UPOZORENJE: Prije upotrebe proizvoda pročitajte upozoravajuće upute u nastavku.

- Prilikom uporabe proizvoda uvijek upotrebljavajte odobrenu osobnu zaštitnu opremu. Oprema za osobnu zaštitu ne može u potpunosti spriječiti ozljede, no smanjuje stupanj ozljede u slučaju nezgode. Pri odabiru odgovarajuće opreme zatražite pomoć ovlaštenog trgovca.
- Upotrebljavajte zaštitnu kacigu ako postoji opasnost od pada predmeta.
- Upotrebljavajte odobrenu zaštitu sluha koja osigurava odgovarajuće prigušenje zvuka. Dugotrajno izlaganje buci može uzrokovati trajno oštećenje sluha.
- Upotrebljavajte odobrenu zaštitu za oči. Ako nosite vizir, morate nositi i odobrene zaštitne naočale. Odobrene zaštitne naočale moraju ispunjavati normu ANSI Z87.1 za SAD ili EN 166 za države EU-a.

- Upotrijebite vizir za zaštitu lica. Vizir nije dovoljan u zaštiti očiju. (Sl. 9)
- Prema potrebi nosite rukavice, primjerice prilikom pričvršćenja, pregleda ili čišćenja rezne opreme.
- Nosite čvrste protuklizne čizme.
- Nosite odjeću napravljenu od čvrstog materijala. Uvijek nosite teške duge hlače i duge rukave. Nemojte nositi široku odjeću koja može zapinjati za grane i prutove. Nemojte nositi nakit, kratke hlače, sandale ili biti bos. Kosu podignite iznad ramena. (Sl. 10)
- Imajte u blizini pribor za prvu pomoć. (Sl. 11)

Sigurnosni uređaji na proizvodu



UPOZORENJE: Prije upotrebe proizvoda pročitajte upute upozorenja u nastavku.

U ovom odjeljku opisane su sigurnosne značajke proizvoda, njegova namjena te način provedbe provjera i održavanja za osiguranje ispravnog rada. Potražite upute pod naslovom *Uvod na stranici 357* kako biste pronašli položaj ovih dijelova na proizvodu.

Nepravilno održavanje te neprofesionalno servisiranje i/ili popravci proizvoda skraćuju vijek trajanja proizvoda i povećavaju opasnost od nezgoda. Sve dodatne informacije zatražite od najbližeg servisnog trgovca.



UPOZORENJE: Nikada nemojte upotrebljavati proizvod s oštećenim sigurnosnim komponentama. Provodite provjere i održavajte sigurnosnu opremu proizvoda prema uputama opisanim u ovom odjeljku. Ako proizvod ne zadovolji bilo koju od ovih provjera, obratite se serviseru radi popravka.



OPREZ: Potreban je specijalan tečaj za servisiranje i popravak stroja. Ovo se posebno odnosi na sigurnosnu opremu stroja. Ako stroj ne zadovolji neke od provjera navedenih u nastavku, obratite se serviseru. Pri kupnji naših proizvoda jamčimo dostupnost profesionalnih popravaka i servisa. Ako prodavač koji vam je prodao proizvod nije zadužen i za servisiranje, zatražite adresu najbližeg servisera.

Provjera korisničkog sučelja na

1. Pritisnite i zadržite gumb za uključivanje/isključivanje (On/Off) (A). (Sl. 12)
 - a) Proizvod je uključen kada se uključi zaslon (B).

- b) Proizvod je isključen kada se zaslon isključi.
2. Ako se na zaslonu uključi ili treperi indikator upozorenja, pogledajte *Tipkovnica na stranici 366*.

Provjera blokade okidača paljenja

Blokada okidača paljenja osmišljena je za sprječavanje slučajnog pogona. Kada blokadu okidača paljenja gurnete prema naprijed (A) i potom blokadu okidača paljenja pritisnete uz ručku (B), okidač paljenja (C) se otpušta. Kada otpustite ručku, prekidač za uključivanje i blokada okidača paljenja vratit će se na svoje prijašnje položaje. To kretanje omogućuju tri neovisne opruge. (Sl. 13)

1. Provjerite je li okidač paljenja blokiran kada je blokada okidača paljenja u početnom položaju. (Sl. 14)
2. Blokadu okidača paljenja pritisnite naprijed (A) i dolje. Zadržite blokadu okidača gasa uz ručku (B) i provjerite vraća li se u svoj početni položaj pri otpuštanju. (Sl. 15)
3. Provjerite kreću li se okidač paljenja i blokada okidača paljenja slobodno te ispravnost povratne opruge. (Sl. 16)
4. Pritisnite gumb za uključivanje/isključivanje. (On/Off) kako biste uključili proizvod.
5. Okidač paljenja pritisnite do kraja hoda kako biste primijenili puni broj okretaja.
6. Otpustite okidač paljenja i provjerite zaustavlja li se rezni pribor i ostaje li nepomičan.

Sigurnosne upute za sastavljanje



UPOZORENJE: Pročitajte priručnik za ovu električnu jedinicu te priručnik za odobrenu opremu.

- Prije sastavljanja proizvoda uklonite bateriju iz proizvoda.
- Koristite odobrene zaštitne rukavice.
- Oštećeni ili neodgovarajući štitnik može uzrokovati ozljedu. Nemojte upotrebljavati rezni pribor bez pričvršćenog odgovarajućeg štitnika.
- Pravilno sklopite poklopac i osovinu prije pokretanja proizvoda.
- Naramenica mora biti ispravno postavljena na proizvod (ako je isporučena s proizvodom). Naramenica omogućava siguran rad i sprječava ozljede rukovatelja ili drugih osoba.

Sigurnost baterije



UPOZORENJE: Prije upotrebe proizvoda pročitajte upute upozorenja u nastavku.

- Upotrebljavajte isključivo odobrene baterije tvrtke Husqvarna. Pogledajte *Odobrene baterije na stranici 367*. Baterije su softverski kodirane.
- Upotrebljavajte odobrene baterije tvrtke Husqvarna samo za napajanje odgovarajućih proizvoda tvrtke Husqvarna. Bateriju nemojte upotrebljavati za napajanje drugih proizvoda jer postoji opasnost od ozljeda.
- Opasnost od strujnog udara. Polove baterije nemojte spajati s ključevima, kovanicama, vijcima ili drugim metalom. Tako može doći do kratkog spoja baterije.
- Nemojte upotrebljavati baterije koje nisu punjive.
- Nemojte umetati predmete u zračne utore baterije.
- Bateriju zaštitite od sunčeve svjetlosti, vrućine i otvorenog plamena. Baterija može uzrokovati opekline i/ili kemijske opekline.
- Zaštitite bateriju od kiše i mokrih uvjeta.
- Zaštitite bateriju od mikrovalova i visokog tlaka.
- Bateriju nemojte rastavljati ili razbijati.
- Ako baterija počne propuštati, nemojte dopustiti da vam tekućina dospije na kožu ili u oči. Ako ste dodirnuli tekućinu, isperite površinu velikom količinom sapunice i zatražite medicinsku pomoć. Ako vam je tekućina prodrila u oči, nemojte ih trljati. Najmanje 15 minuta ispirite ih vodom te zatražite medicinsku pomoć.
- Bateriju upotrebljavajte u rasponu temperatura od -10 °C (14 °F) i 40 °C (114 °F).
- Bateriju ili punjač baterije nikada nemojte čistiti vodom. Pogledajte *Čišćenje proizvoda, baterije i punjača baterije na stranici 365*.
- Nemojte upotrebljavati bateriju koja je oštećena ili neispravna.
- Baterije skladištite dalje od metalnih predmeta poput čavala, vijaka ili nakita.
- Bateriju držite podalje od djece.

Sigurnost punjača baterije



UPOZORENJE: Prije upotrebe proizvoda pročitajte upute upozorenja u nastavku.

- Nepoštivanje sigurnosnih uputa može uzrokovati električni udar ili kratki spoj.
- Upotrebljavajte isključivo punjače baterija isporučene uz proizvod. Za punjenje originalnih baterija tvrtke Husqvarna upotrebljavajte samo punjač baterije Husqvarna. Upute pročitajte u odjeljku *Tehnički podaci na stranici 367*.
- Nemojte rastavljati punjač baterije.
- Nemojte upotrebljavati oštećen ili neispravan punjač baterije.
- Punjač baterije nemojte podizati za električni kabel. Za odspajanje punjača baterije od zidne utičnice izvucite utikač. Nemojte povlačiti kabel za napajanje.

- Sve kabele i produžne kabele držite podalje od vode, ulja i oštrih rubova. Kabel nemojte zahvatiti predmetima, npr. vratima, ogradama i sl.
- Punjač baterije nemojte upotrebljavati u blizini zapaljivih materijala ili materijala koji mogu uzrokovati koroziju. Punjač baterije ne smije biti prekriven. Ako dođe do razvoja dima ili požara, odspojite utikač punjača baterije.
- Bateriju puniti isključivo u zatvorenom, dobro prozračenom zatvorenom prostoru bez izravne sunčeve svjetlosti. Baterije nemojte puniti na otvorenom. Bateriju nije dopušteno puniti u vlažnim uvjetima.
- Punjač baterije upotrebljavajte isključivo na temperaturama između 5 °C (41 °F) i 40 °C (104 °F). Punjač baterije upotrebljavajte u prozračnom i suhom okruženju bez prašine.
- Nemojte umetati predmete u rashladne otore punjača baterije.
- Nikada nemojte priključivati terminale punjača baterije na metalne predmete jer tako možete izazvati kratki spoj na punjaču baterija.
- Upotrebljavajte neoštećene i odobrene mrežne utičnice. Uvjerite se da kabel punjača baterije nije oštećen. Ako upotrebljavate produžni kabel, provjerite da nije oštećen.
- Uklonite bateriju prije održavanja, drugih provjera ili sastavljanja proizvoda.
- Rukovatelj smije provoditi samo radove održavanja i servisiranja opisane u ovom korisničkom priručniku. Za veća održavanja i servisiranje obratite se serviseru.
- Bateriju ili punjač baterije nikada nemojte čistiti vodom. Jači deterdžent može oštetiti plastiku.
- Ako ne provodite održavanje, smanjujete vijek trajanja stroja i povećavate opasnost od nezgoda.
- Sva servisiranja i popravci uvjetuju posebnu obuku, posebice oni na sigurnosnim uređajima na proizvodu. Ako nakon provedbe održavanja nisu odobrene sve provjere iz ovog korisničkog priručnika, obratite se serviseru. Jamčimo dostupnost profesionalnih popravaka i servisiranja za vaš proizvod.
- Upotrebljavajte samo originalne rezervne dijelove.
- Pri popravku reznog pribora obavezno nosite rukavice na teške uvjete rada. Noževi su vrlo oštri i možete se lako ozlijediti.

Sigurnosne upute za održavanje



UPOZORENJE: Prije održavanja proizvoda pročitajte upozoravajuće upute u nastavku.

Sastavljanje

Sastavljanje okrugle ručke

1. Pričvrstite okruglu ručku na osovinu između strelica. Okruglu ručku ili ovjesni prsten nemojte staviti na naljepnicu. (Sl. 17)
2. Pomaknite odstojnik u utor okrugle ručke.
3. Pričvrstite maticu, kotačić i vijak, ne pritežite ih prejako.
4. Postavite proizvod u udoban položaj.
5. Pritegnite vijak.

Sastavljanje dvodijelne osovine

1. Okrećite kotačić da biste otpustili spojnicu. (Sl. 18)
2. Poravnajte jezičac (A) sa strelicom (B) na spoju. (Sl. 19)
3. Gurnite osovinu u spoj dok ne klikne na mjesto. (Sl. 20)
4. Pritegnite kotačić do kraja. (Sl. 21)

Rastavljanje dvodijelne osovine

1. Okrenite kotačić za 3 ili više okretaja kako biste otpustili spojnicu. (Sl. 22)
2. Pritisnite i držite tipku (C).
3. Čvrsto držite kraj osovine na koji je pričvršćen motor.
4. Izvucite priključak iz spojnice. (Sl. 23)

Ugradnja ovjesnog prstena, ako je moguća

1. Ovjesni prsten postavite između strelica na stražnjoj ručki i okrugloj ručki. (Sl. 24)

Napomena: Okruglu ručku nemojte staviti na naljepnicu.

2. Prilagodite prsten kako biste uravnotežili proizvod za lakšu upotrebu.

Uvod



UPOZORENJE: Prije upotrebe proizvoda pročitajte i usvojite poglavlje o sigurnosti.

Husqvarna Connect

Husqvarna Connect je besplatna aplikacija za mobilni uređaj. Aplikacija Husqvarna Connect pruža vam dodatne funkcije za vaš proizvod Husqvarna.

- Opširnije informacije o proizvodu.
- Dodatne informacije i pomoć za dijelove i servisiranje proizvoda.

Početak rada s Husqvarna Connect

1. Preuzmite aplikaciju Husqvarna Connect na svoj mobilni uređaj.
2. Registrirajte se u aplikaciji Husqvarna Connect.
3. Pratite korake iz uputa u aplikaciji Husqvarna Connect kako biste se povezali i registrirali proizvod.

Napomena: Aplikacija Husqvarna Connect nije na svim tržištima dostupna za preuzimanje. Za više informacija obratite se servisnom distributeru.

Priključivanje baterija na proizvod



UPOZORENJE: S proizvodom upotrebjavajte samo originalne baterije tvrtke Husqvarna.

1. Provjerite je li baterija potpuno napunjena.
2. Umetnite bateriju u držač baterije na proizvodu. Baterija se učvršćuje u položaju škljocajem. (Sl. 25)



OPREZ: Ako se baterija ne umeće lako u držač baterije, nije ispravno ugrađena. Tako možete oštetiti proizvod.

3. Provjerite je li baterija ispravno ugrađena.

Zamjena baterije

Napomena: Napunite bateriju pri prvoj upotrebi. Nova je baterija napunjena samo 30%.

1. Provjerite je li baterija suha.
2. Postavite bateriju u punjač baterije. (Sl. 26)

Napomena: Baterija i punjač baterije mogu izgledati drugačije na različitim modelima, ali postupak je isti.

3. Provjerite uključuje li se zeleni indikator punjenja na punjaču baterije. On označava ispravnu povezanost baterije s punjačem baterije.
4. Kada se na bateriji uključe svi LED indikatori, baterija je potpuno napunjena. (Sl. 27)
5. Za odspajanje punjača baterije od mrežne utičnice izvucite utikač. Nemojte povlačiti kabel.
6. Izvadite bateriju iz punjača baterije.

Napomena: Više informacija potražite u priručnicima za bateriju i punjač baterije.

Radni položaj

- Proizvod držite s 2 ruke.
- Proizvod držite na desnoj strani tijela.
- Rezni pribor držite ispod visine struka.
- Dijelove tijela držite podalje od vrućih površina.
- Dijelove tijela držite podalje od reznog pribora.

Prije rada s proizvodom

- Pregledajte radno područje kako biste se upoznali s vrstom terena, nagibom tla te ustanovili ima li prepreka poput kamenja, granja i jaraka.
- Provedite detaljni pregled proizvoda.
- Provedite sigurnosne preglede, održavanje i servisiranje iz ovog priručnika.
- Provjerite jesu li svi poklopci, štitnici, ručke i oprema neoštećeni i pravilno pričvršćeni.

Pokretanje proizvoda

1. Pritisnite i zadržite gumb za uključivanje/isključivanje (On/Off) dok se ne uključi zeleni LED indikator. (Sl. 28)
2. Brzinu regulirajte okidačem paljenja.

Ograničenje maksimalne brzine gumbom za način rada

Proizvod ima gumb za način rada. Gumbom za način rada rukovatelj može ograničiti maksimalnu brzinu. Gumb za način rada ima tri razine brzine. Niža razina produljuje vrijeme rada proizvoda. Gumb za način rada ima tri razine brzine. Niža razina produljuje vrijeme rada proizvoda. Ako za rad nije potrebna puna brzina/puna snaga, primijenjujte razinu 1 i 2. Ako radni uvjeti zahtijevaju punu brzinu/punu snagu, primijenjujte razinu 3. Za rad nemojte upotrebjavati previsoku razinu.

1. Pritisnite gumb za način rada kako biste ograničili maksimalnu brzinu. Bijeli LED indikator uključuje se i prikazuje uključenosť funkcije. (Sl. 29)
2. Ponovno pritisnite gumb za način rada kako biste odabrali sljedeću razinu brzine.

Funkcija automatskog isključenja

Proizvod ima funkciju automatskog isključivanja koja isključuje proizvod nakon tri minute nekorisćenja.

Zaustavljanje proizvoda

1. Otpustite okidač paljenja i blokadu okidača paljenja.

2. Pritisnite gumb za uključivanje/isključivanje (On/Off). (Sl. 30)
3. Pritisnite gumb za otpuštanje na bateriji i izvadite bateriju. (Sl. 31)

Održavanje

Uvod



UPOZORENJE: Prije održavanja morate pročitati i usvojiti poglavlje o sigurnosti.

U nastavku je popis koraka održavanja neophodnih za održavanje proizvoda. Uz održavanje navedeno u rasporedu održavanja, proizvod redovito servisirajte kod servisera tvrtke Husqvarna. Za informacije o vremenskom razmaku između servisa obratite se servisnom zastupniku tvrtke Husqvarna.

Raspored održavanja



UPOZORENJE: Prije održavanja izvadite bateriju.

Održavanje	Dnevno	Tjedno	Mjesečno
Vanjske dijelove proizvoda očistite suhom krpom. Nemojte prati vodom.	X		
Provjerite radi li gumb napajanja ispravno te da nije oštećen.	X		
Iz sigurnosnih razloga provjerite pravilno funkcioniranje prekidača za uključivanje i blokade prekidača za uključivanje.	X		
Provjerite rade li sve komande ispravno i jesu li neoštećene.	X		
Ručke moraju biti suhe, očišćene od ulja i masti.	X		
Provjerite jesu li vijci i matice pritegnuti.	X		
Provjerite rade li gumbi za otpuštanje na bateriji i pričvršćuju li bateriju u proizvodu.	X		
Provjerite je li baterija neoštećena.	X		
Provjerite je li baterija napunjena.	X		
Provjerite je li punjač baterije neoštećen te radi li ispravno.	X		
Pregledajte sve kabele, spojnice i priključke. Uvjerite se da su neoštećeni i čisti.		X	
Provjerite spojeve između baterije i proizvoda. Provjerite spoj između baterije i punjača.			X

Čišćenje proizvoda, baterije i punjača baterije

1. Proizvod nakon upotrebe očistite suhom krpom.
2. Bateriju i punjač baterije čistite suhom krpom. Vodilice za bateriju održavajte čistima.
3. Prije umetanja baterije u punjač baterije ili proizvod provjerite jesu li čisti priključci baterije i punjača baterije.

Dvodijelna osovina

Kraj pogonske osovine podmažite nakon svakih 30 h rada. Postoji opasnost od zaglavljivanja osovine u spoju (spoj žljebastog vratila) na dvodijelnim modelima, ukoliko nisu redovito podmazivane. (Sl. 32)

Rješavanje problema

Tipkovnica

LED zaslon	Moguće pogreške	Moguće rješenje
Treperi zeleni LED indikator za uključenost	Nizak napon baterije.	Napunite bateriju.
Treperi crveni LED indikator pogreške	Preopterećenje.	Rezni pribor je zaglavljen. Isključite proizvod. Izvadite bateriju. Očistite nepoželjni materijal s reznog pribora.
	Odstupanje temperature.	Pričekajte na hlađenje proizvoda.
	Prekidač za uključivanje i gumb za aktivaciju pritisnuti su u isto vrijeme.	Otpustite okidač paljenja i proizvod se uključuje.
Proizvod se ne uključuje	Priključci baterije nisu čisti.	Komprimiranim zrakom ili mekom četkom očistite priključke baterije.
LED indikator pogreške svijetli crveno	Proizvod treba servisirati.	Obratite se serviseru.

Prijevoz, spremanje i zbrinjavanje

Prijevoz i skladištenje

- Isporučene litij-ionske baterije podliježu zahtjevima propisa o opasnim proizvodima.
- Pridržavajte se posebnih zahtjeva o pakiranju i označavanju u komercijalnom transportu, uključujući treće strane i prijevoznike.
- Prije slanja proizvoda obratite se osobi s posebnom obukom za opasni materijal. Pridržavajte se svih mjerodavnih nacionalnih propisa.
- Kada bateriju stavljate u pakiranje, otvorene kontakte prelijepite trakom. Učvrstite bateriju u pakiranju kako biste onemogućili pomicanje.
- Izvadite bateriju prilikom prijevoza ili skladištenja.
- Bateriju i punjač baterije spremite u suh prostor bez vlage i mraza.
- Bateriju nemojte spremiti u prostor u kojem može nastati statički elektricitet. Bateriju nemojte čuvati u metalnoj kutiji.
- Bateriju uskladištite na mjestu s temperaturom između 5 °C/41 °F i 25 °C/77 °F te izvan izravnog sunčeva svjetla.
- Punjač baterije uskladištite na mjestu s temperaturom između 5 °C / 41 °F i 45 °C / 113 °F te izvan izravnog sunčeva svjetla.
- Punjač baterije upotrebljavajte samo pri temperaturama okoline između 5 °C/41 °F i 40 °C/104 °F.

- Prije dugotrajnog skladištenja bateriju napunite na 30 % do 50 %.
- Punjač baterije uskladištite u zatvorenom i suhom prostoru.
- Tijekom skladištenja bateriju držite podalje od punjača baterije. Djeci i drugim neovlaštenim osobama onemogućite dodirivanje opreme. Opremu spremite u prostor koji možete zaključati.
- Prije dugotrajnog skladištenja proizvoda očistite ga i provedite cjeloviti servis.
- Na proizvod prije transporta i skladištenja postavite prijenosni štitnik kako biste spriječili ozljede ili oštećenje proizvoda.
- Čvrsto pričvrstite proizvod tijekom transporta.

Zbrinjavanje baterije, punjača baterije i proizvoda

Oznake na proizvodu ili ambalaži proizvoda znače da se proizvod ne pripada u komunalni otpad. Reciklirajte ga u reciklažnoj stanici za električnu i elektroničku opremu. Tako sprječavate oštećenje okoliša i ozljeđivanje osoba.

Više informacija o recikliranju proizvoda zatražite od lokalnih vlasti, komunalne službe ili distributera.

Tehnički podaci

Tehnički podaci

	325iLK
Motor	
Vrsta motora	BLDC (beskontaktni) 36 V
Broj okretaja izlazne osovine, 1/min	8400
Težina	
Težina (samo električna jedinica), kg	2,9
Emisije buke ^{201, 202}	
Razina jačine zvuka, mjerena u dB (A)	89 – 103
Razina jačine zvuka, zajamčena L _{WA} dB (A)	90 – 106
Razine buke ^{203, 204}	
Razina zvučnog tlaka na uhu rukovatelja izmjerena sukladno standardu EN 62841-1, dB(A):	78 – 93
Razine vibracije ^{205, 206}	
Razine vibracija na ručkama, izmjerene sukladno standardu EN 62841-1, m/s ²	1,3 – 5,5 / 1,1 – 3,1

Odobreni baterije

Baterija	BLI200	40-B220X
Vrsta	Litij-ionska	Litij-ionska
Kapacitet baterije, Ah	5,2	6,0
Nazivni napon, V	36.	36.
Masa, kg (lb)	1,3 (2,9)	1,4 (3,1)

²⁰¹ Emisije buke u okoliš izmjerene kao jačina zvuka (LWA) u skladu s Direktivom EZ 2000/14/EC. Navedena razina jakosti zvuka izmjerena je originalnim reznim priborom koji daje najveću razinu. Razlika između zajamčene i izmjerene razine buke jest da zajamčena razina uključuje i raspršenje rezultata mjerenja i varijacije između različitih uređaja istog modela u skladu s Direktivom 2000/14/EZ.

²⁰² Raspon buke označava najnižu i najvišu izmjerenu vrijednost.

²⁰³ Navedeni podaci za razinu tlaka zvuka za stroj uključuju tipičnu statističku raspršenje (standardno odstupanje) od 3 dB (A) i izmjereni su s originalnim priborom koji proizvodi najvišu razinu.

²⁰⁴ Raspon buke označava najnižu i najvišu izmjerenu vrijednost.

²⁰⁵ Podaci o razini vibracije pokazuju tipičnu statističku disperziju (standardnu devijaciju) od 2 m/s². Za usporedbu razina vibracije te proizvoda s baterijom i motorom s unutarnjim sagorijevanjem primijenite kalkulator za vibracije. <https://www.husqvarna.com/uk/services-solutions/vibration-calculator/>.

²⁰⁶ Raspon buke označava najnižu i najvišu izmjerenu vrijednost.

Odobreni punjači baterije

Punjač baterije	QC330	40-C500X
Ulazni napon, V	100 – 240	100 – 240
Frekvencija, Hz	50 – 60	50 – 60
Snaga, W	330	500

Dodatna oprema

Priklučci

Odobreni dodaci	Broj nastavka ²⁰⁷	Grupa nastavaka ²⁰⁸	Koristi se uz
Nastavak za čišćenje šikare BCA850	1.	1 – 10	325iLK
Nastavak za puhač BA101	11.	11 – 20	325iLK
Nastavak za obrezivanje rubnih dijelova EA850	21	21 – 30	325iLK
Nastavak za obrezivanje rubnih dijelova EA850	22	21 – 30	325iLK
Nastavak za škare za živicu HA860	32.	31 – 40	325iLK
Dodatak za stupnu pilu PAX730	41.	41 – 50	325iLK
Dodatak za stupnu pilu PAX1100	42	41 – 50	325iLK
Dodatak za pilu PA1100	43	41 – 50	325iLK
Nastavak za čišćenje SR600-2	51	51 – 60	325iLK
Nastavak za četku BR600	52	51 – 60	325iLK
Nastavak za odvajač DT600	53.	51 – 60	325iLK
Nastavak za kultivator CA230	54.	51 – 60	325iLK
Nastavak za obrezivanje s recipročnim oštricama RA850	2	1 – 10	525iLK

²⁰⁷ Ovo je poseban broj odobrene opreme unutar grupe nastavaka.

²⁰⁸ Odobreni priklučci dijele su u grupe nastavaka. Svaka grupa nastavaka ima slične značajke i naljepnice.

Izjava o sukladnosti

EU izjava o sukladnosti

Mi, **Husqvarna AB**, SE-561 82 Huskvarna, Švedska, tel.: +46-36-146500, pod punom odgovornošću izjavljujemo da proizvod:

Opis	Baterijska jedinica (trimer za travu)
Marka	Husqvarna
Vrsta/model	325iLK (pogonjena jedinica)
Identifikacija	Serijski brojevi iz 2024 i noviji

u potpunosti su sukladni sljedećim EU direktivama i propisima:

Direktiva/propis	Opis
2006/42/EC	„o strojevima“
2014/30/EMC	„koja se odnosi na elektromagnetsku kompatibilnost“
2011/65/EU	„vezano za ograničenje određenih opasnih tvari“
2000/14/EC	„koja se odnosi na vanjsku buku“

i primjenjuju se sljedeće norme i/ili tehničke specifikacije: EN ISO 12100:2010, EN 62841-1:2015+AC:2015+A11:2022, EN 62841-4-2:2019+A11:2022+A1:2022, IEC 62841-4-4:2020+A1:2024, IEC 62841-4-6:2022, ISO 11449:1994, EN ISO 11680-1:2021, EN 61000-6-3:2007+A1:2011, EN 61000-6-1:2016, EN IEC 63000:2018.

Organizacija SMP Svensk Maskinprovning AB, Box 4053, SE-904 03 Umeå, Sweden provela je dobrovoljno tipsko ispitivanje sukladno dodatku IX Direktive 2006/42/EC. Br. certifikata: SEC/24/2593.

Prijavljeno tijelo: SMP Svensk Maskinprovning AB, također je potvrdila usklađenost s dodatkom V. Direktive vijeća 2000/14/EC. Br. certifikata: 01/1610/013.

Informacije o emisiji buke potražite u odjeljku *Tehnički podaci na stranici 367*.

Huskvarna, 2024-02-01

Gdin. Stefan Holmberg, Direktor odjela za istraživanje i razvoj, Upravljanje tehnologijom, Husqvarna AB, Švedska

Osoba odgovorna za tehničku dokumentaciju



Sadržaj

Uvod.....	370	Rešavanje problema.....	379
Bezbednost.....	371	Transport, skladištenje i odlaganje.....	379
Sklapanje.....	376	Tehnički podaci.....	380
Rukovanje.....	377	Dodaci.....	381
Održavanje.....	378	Deklaracija o usaglašenosti.....	382

Uvod

Namena

Ova jedinica za napajanje je jedinica koja funkcioniše samo zajedno sa odobrenom dodatnom opremom,

Pregled proizvoda

(Sl. 1)

1. Korisničko uputstvo
2. Šestougaoni ključ od 4 mm
3. Kružna drška
4. Dugme
5. Dugme On/Off (za uključivanje/isključivanje)
6. Dugme za režim brzine
7. Zaključavanje obarača gasa
8. Korisnički interfejs
9. Obarač gasa
10. Punjač baterije (oprema)
11. Indikator za punjenje i greške na punjaču
12. Dugme za otpuštanje baterije
13. Baterija (oprema)
14. LED indikator statusa punjenja
15. LED lampica upozorenja
16. Dugme indikatora baterije
17. Spojnica za dodatak

Napomena: Baterija i punjač baterije mogu drugačije da izgledaju između različitih modela.

Simboli na proizvodu

- (Sl. 2) **UPOZORENJE!** Proizvod može biti opasan! Nemarna ili nepravilna upotreba može dovesti do teške ili smrtonosne povrede rukovaoca ili drugih osoba. Izuzetno je važno da pročitate i razumete sadržaj ovog uputstva za rukovaoca. Pažljivo pročitate i shvatite sadržaj korisničkog uputstva pre upotrebe proizvoda.
- (Sl. 3) Iskopčajte bateriju pre radova na održavanju.
- (Sl. 4) Nominalni napon, V

pogledajte takvu odobrenu dodatnu opremu u *Dodaci na stranici 381*. Pobrinite se da pročitate ovaj priručnik zajedno sa priručnikom za odobrenu dodatnu opremu.

(Sl. 5) Jednosmerna struja.

(Sl. 6) Proizvod je usaglašen sa važećim direktivama EZ.

(Sl. 7) Simboli na ovom proizvodu ili njegovom pakovanju ukazuju na to da se ovim proizvodom ne može rukovati kao otpadom iz domaćinstva. Proizvod se može odložiti u odgovarajućem centru za reciklažu.

(Sl. 8) Ovaj proizvod ima zaštitu od prskanja vode.

yyyywwxxxx | Pločica tipa prikazuje serijski broj. **yyyy** je godina proizvodnje, **ww** je nedelja proizvodnje, a **xxxx** je redni broj.

Napomena: Ostali simboli/nalepnice na proizvodu se odnose na zahteve u vezi sa sertifikacijom na drugim tržištima.

Proizvođač

Husqvarna AB
Drottningatan 2, SE-561 82 Huskvarna, Sweden, tel:
+46-36-146500

Oštećenje proizvoda

Nismo odgovorni za oštećenja proizvoda u sledećim slučajevima:

- proizvod je popravljen na pogrešan način
- proizvod je popravljen korišćenjem delova koji nisu napravljeni ili odobreni od strane proizvođača
- proizvod ima opremu koja ne potiče ili nije odobrena od strane proizvođača

- proizvod nije popravljen u ovlašćenom servisnom centru ili od strane ovlašćenog stručnjaka

Podrška

Da biste dobili podršku u vezi sa proizvodom, idite na odeljak Podrška na da biste pristupili uputstvima,

vodičima za rešavanje problema ili da biste koristili Husqvarna Samouslugu ili Pomoćnika za proizvod (ako su dostupni na vašem tržištu). Za još podrške u vezi sa proizvodom, obratite se Husqvarna prodavcu.

Bezbednost

Bezbednosne definicije

Upozorenja, mere opreza i napomene se koriste da ukažu na naročito važne delove korisničkog uputstva.



UPOZORENJE: Koristi se ako, usled nepoštovanja uputstava, postoji rizik od nastanka telesnih povreda ili smrti kod rukovaoca ili prisutnih osoba.



OPREZ: Koristi se ako, usled nepoštovanja uputstava, postoji rizik od nastanka oštećenja na proizvodu, drugim materijalima ili susjednim oblastima.

Napomena: Koristi se za pružanje više informacija koje su neophodne u datoj situaciji.

Opšta bezbednosna upozorenja za električni alat



UPOZORENJE: Pobrinite se da pročitate priručnik za odobrenu dodatnu opremu zajedno sa priručnikom za ovu jedinicu za napajanje.



UPOZORENJE: Pročitajte sva bezbednosna upozorenja, uputstva, ilustracije i specifikacije koje su obezbeđene uz ovaj električni alat. Nepridržavanje svih uputstava navedenih u nastavku može da dovede do strujnog udara, požara i/ili teških telesnih povreda.

Napomena: Sačuvajte sva upozorenja i uputstva kao referencu za kasnije. Izraz „električni alat“ iz upozorenja se odnosi na električni alat koji se napaja preko električne mreže (putem kabla) ili akumulatora (bežično).

Bezbednost u radnoj oblasti

- **Držite radnu oblast čistom i dobro osvetljenom.** U neurednim ili mračnim oblastima nezgode se češće dešavaju.

- **Nemojte upravljati mašinom u eksplozivnim atmosferama, kao u slučaju prisustva zapaljivih tečnosti, gasova ili prašinet.** Mašine proizvode varnice koje mogu da zapale prašinu ili isparenja.
- **Pobrinite se da se tokom upotrebe mašine deca i druge osobe nalaze na bezbednoj udaljenosti.** Odlaganje pažnje može dovesti do gubitka kontrole nad uređajem.

Električna bezbednost

- **Utikač za priključenje elektroalata u struju mora da odgovara utičnici.** Nikad nemojte ni na koji način da modifikujete utikač. **Nemojte da koristite adaptere pri radu sa uzemljenim mašinama.** Nemodifikovani utikači i odgovarajuće utičnice smanjuju rizik od strujnog udara.
- **Izbegavajte telesni kontakt sa uzemljenim površinama kao što su cevi, radijatori, šporeti i frižideri.** Ako vam je telo uzemljeno, postoji povišeni rizik od strujnog udara.
- **Elektroalate nemojte izlagati kiši ili vlazi.** Ako voda prodre u mašinu, povećava se opasnost od strujnog udara.
- **Nemojte nepropisno da postupate sa kablom. Ne koristite kabl za nošenje, vuču ili isključivanje proizvoda.** Držite kabl dalje od izvora toplote, ulja, oštrih ivica i pokretnih delova. Oštećeni ili upleteni kabl povećava rizik od strujnog udara.
- **Kad elektroalatom radite na otvorenom koristite samo produžne kablove koji su prikladni i za rad na otvorenom.** Korišćenje kabla koji je pogodan za upotrebu na otvorenom smanjuje rizik od strujnog udara.
- **Ako ne može da se izbegne korišćenje proizvoda na vlažnom mestu, koristite napajanje preko zaštitnog uređaja diferencijalne struje (RCD).** Upotreba RCD-a smanjuje rizik od strujnog udara.

Lična bezbednost

- **Budite na oprezu, ne skrećite pogled sa onoga što radite i koristite zdrav razum kad rukujete mašinom. Nemojte da koristite mašinu ako ste umorni ili pod dejstvom droge, alkohola ili lekova.** Trenutak nepažnje prilikom korišćenja proizvoda može da dovede do teških telesnih povreda.
- **Koristite ličnu zaštitnu opremu. Uvek nosite zaštitu za oči.** Zaštitna oprema poput zaštitne maske od prašine, sigurnosnih neklizajućih cipela, kacige ili zaštite za sluh koja se koristi u odgovarajućim uslovima smanjuje telesne povrede.

- **Sprečite slučajno pokretanje. Pobrinite se da je prekidač u isključenom položaju pre priključivanja na izvor napajanja i/ili prenosivi punjač baterije, podizanja ili nošenja mašine.** Nošenje mašine sa prstom na prekidaču ili napajanje mašine sa prekidačem u položaju za uključivanje može da dovede do nezgode.
- **Uklonite ključ za podešavanje ili francuski ključ pre uključivanja mašine.** Francuski ključ ili ključ koji ostanu pričvršćeni za obrtni deo proizvoda mogu da dovedu do telesne povrede.
- **Nemojte se preterano naginjati. Uvek budite oslonjeni na obe noge i pazite na ravnotežu.** To će vam omogućiti bolju kontrolu nad mašinom u nepredviđenim situacijama.
- **Budite propisno odeveni. Nemojte da nosite nakit ili široku odeću. Vodite računa da vam kosa i odeća ne dođu u dodir sa pokretnim delovima.** Pokretni delovi mogu da zakače široku odeću, nakit ili dugu kosu.
- **Ako su obezbeđeni uređaji za povezivanje aparata za izbacivanje ili sakupljanje prašine, proverite da li su povezani i da li se pravilno koriste.** Korišćenje aparata za sakupljanje prašine može da smanji broj kvarova koji su nastali usled prašine.
- **Nemojte dozvoliti da vam iskustvo koje ste stekli kroz čestu upotrebu mašine stvori osećaj samopouzdanja i da se ne pridržavate principa u vezi sa bezbednošću.** Nemarna radnja može da izazove teške povrede u deliću sekunde.

Upotreba i održavanje mašine

- **Ne silite mašinu. Koristite mašinu koja odgovara nameni.** Adekvatna mašina će bolje i sigurnije obaviti posao u meri za koju je napravljena.
- **Ne koristite mašinu ako je prekidač ne uključuje ili ne isključuje.** Svaka mašina koja ne može da se kontroliše putem prekidača je opasna i mora da se popravi.
- **Isključite utikač iz izvora električne energije i/ili uklonite akumulator, ako se može odvojiti, sa mašine pre nego što pristupite bilo kakvom podešavanju, promeni dodatne opreme ili skladištenju mašine.** Takve bezbednosne preventivne mere smanjuju rizik od slučajnog uključivanja mašine.
- **Čuvajte mašinu koja se ne koristi dalje od domašaja dece i nemojte da dozvoljavate rad sa mašinom osobama koje nisu upoznate sa njom ili ovim uputstvima.** Mašine su opasne kada njima rukuju neobučeni korisnici.
- **Održavajte mašine i dodatnu opremu. Proverite da li su pokretni i vezni delovi pravilno postavljeni, da li postoje pukotine na delovima ili druga stanja koja mogu uticati na rad mašine. Ako je oštećena, odnesite mašinu na popravku pre korišćenja.** Mnoge nezgode su prouzrokovale loše održavane mašine.
- **Održavajte alat za sečenje ostrim i čistim.** Mašine za sečenje koje se pravilno održavaju i imaju oštre rezne vrhove se ređe krive i lakše kontrolišu.
- **Koristite mašinu, dodatnu opremu, nastavke itd. u skladu sa ovim uputstvima, uzimajući u obzir radne**

uslove i posao koji treba da se obavi. Korišćenje proizvoda za operacije za koje nije namenjen može da dovede do opasnih situacija.

- **Ručke i prihvatne površine bi trebalo da budu suve, čiste i bez ostatka ulja i maziva.** Klizave ručke i prihvatne površine ne dozvoljavaju bezbedno rukovanje i kontrolu nad mašinom u neočekivanim situacijama.

Upotreba i održavanje baterijske mašine

- **Punite samo punjačem koji je naznačen od strane proizvođača.** Punjač koji je odgovarajući za jedan tip baterije može stvoriti rizik od požara kada se koristi sa drugom baterijom.
- **Koristite samo punjive baterije koje su predviđene za mašine.** Korišćenje drugih baterija može stvoriti rizik od telesne povrede i požara.
- **Kad se baterija ne koristi držite je dalje od metalnih predmeta, kao što su spaljalice, novčići, ključevi, ekseri, zavrtnji ili slični mali metalni predmeti koji mogu da naprave spoj između polova baterije.** Kratko spajanje polova baterije može da izazove opekotine ili požar.
- **U opasnim uslovima, tečnost može da prsne iz baterije; izbegavajte kontakt. Ako do kontakta slučajno dođe, isperite to mesto vodom. Ako tečnost dođe u kontakt sa očima, dodatno potražite lekarsku pomoć.** Tečnost koja prsne iz baterije može da prouzrokuje iritaciju ili opekotine.
- **Nemojte koristiti baterije ili mašinu koji su oštećeni ili izmenjeni.** Oštećeni ili modifikovani akumulatori mogu biti nepredvidivi što može dovesti do vatre, eksplozije i rizika od povrede.
- **Baterije ili mašinu nemojte da izlažete vatri ili previsokoj temperaturi.** Izlaganje vatri ili temperaturi iznad 130 °C / 265 °F može dovesti do eksplozije.
- **Pridržavajte se svih uputstava za punjenje i nemojte da punite bateriju ili mašinu izvan opsega temperature koji je naveden u uputstvima.** Nepravilno punjenje ili temperature izvan navedenog opsega mogu oštetiti bateriju i povećati rizik od požara.

Servis

- **Popravke mašine prepustite kvalifikovanim stručnom osoblju uz primenu isključivo originalnih rezervnih delova.** Na taj način ćete da osigurate da se održi trajna sigurnost mašine.
- **Nikad ne servisirajte oštećene baterije.** Servisiranje baterije treba da vrši samo proizvođač ili ovlašćeni serviseri.

Ostale opšte bezbednosne informacije

- **Isključite proizvod pre nego što pređete u drugu oblast. Uvek uklonite bateriju kada predajete proizvod drugoj osobi.**
- **Ne spuštajte proizvod dok ga ne isključite i ne uklonite bateriju. Ne ostavljajte proizvod bez nadzora ako je uključen.**

- Alatka za rezanje se ne zaustavlja čim se proizvod isključi.
- Pre korišćenja proizvoda i posle svakog udara proverite ima li znaka habanja ili oštećenja i izvršite popravke ako je neophodno.
- Ako se išta zaglavi u nastavku za rezanje dok koristite proizvod, zaustavite i deaktivirajte proizvod. Uverite se da se nastavak za rezanje potpuno zaustavio. Uklonite bateriju pre čišćenja, pregleda i popravke proizvoda i/ili opreme za rezanje.
- Proverite proizvod pre upotrebe. Pogledajte *Bezbednosni uređaji na proizvodu na stranici 374* i *Održavanje na stranici 378*. Oštećeni proizvod ne sme da se koristi. Pratite uputstva za bezbednosne provere, održavanje i servisiranje opisana u ovom priručniku.
- Neispravan dodatak za rezanje može da poveća opasnost od nezgoda.
- Proverite da li je prenosnik zaprljan ili naprsao. Očistite travu i lišće sa prenosnika četkom. Po potrebi nosite rukavice.
- Uvek osigurajte da su ventilacioni otvori čisti od otpadaka.
- Proverite da li je glava trimera potpuno spojena sa trimerom.
- Svi poklopci, štitnici i ručice moraju biti postavljeni pre početka rada.
- Uverite se da je proizvod u besprekornom radnom stanju. Proverite da li su sve navrtke i zavrtnji dobro pričvršćeni.
- Proverite da li su glava trimera i štitnik trimera oštećeni ili napukli. Promenite glavu trimera ili štitnik trimera ukoliko su bili izloženi udaru ili imaju naprsline. Uvek upotrebite preporučeni štitnik za specifičan nastavak za rezanje. Pogledajte *Tehnički podaci na stranici 380*.
- Ovaj proizvod je opasan ako se koristi nepažljivo ili nepravilno. Ovaj proizvod može prouzrokovati teške telesne povrede ili smrt rukovaoca i drugih osoba.
- Uređaj ne bi trebalo da koriste osobe (uključujući decu) ograničenih fizičkih, senzornih ili mentalnih sposobnosti, ili osobe kojima nedostaje znanje i iskustvo, osim ako ih osoba odgovorna za njihovu bezbednost ne nadgleda ili im ne da uputstva koja se tiču korišćenja uređaja. Potrebno je vršiti stalni nadzor nad decom da biste bili sigurni da se ne igraju sa uređajem.
- Ne dozvolite deci da koriste mašinu ni da budu u njenoj blizini. Pošto se mašina lako pokreće, deca mogu da je pokrenu ako nisu pod nadzorom. To nosi rizik od teških telesnih povreda. Zato odvojte bateriju kad mašina nije pod nadzorom.
- Ne dozvolite deci ili osobama koje nisu obučene da koriste proizvod i/ili bateriju ili da ih servisiraju.
- Skladištite opremu na mesto koje možete zaključati tako da bude van domašaja dece i neovlašćenih lica.
- Zaštita za transportovanje mora da se koristi pri svakom skladištenju i transportu.
- Uvek držite ruke i stopala dalje od reznog prostora i naročito pazite pri pokretanju motora.
- Držite ruke i stopala dalje od nastavka za rezanje dok se potpuno ne zaustavi pri isključivanju proizvoda.
- Nemojte uklanjati isečeni materijal niti dozvoljavati drugim osobama da uklanjaju isečeni materijal dok motor radi ili se oprema za rezanje okreće jer to može imati za posledicu tešku telesnu povredu.
- Imajte na umu da ste vi kao lice koje rukuje mašinom odgovorni za sve osobe u okolini i njihovu svojinu, odnosno da treba da vodite računa da ih ne izložite nesrećama ili opasnostima.
- Ni u kom slučaju ne smete bez odobrenja proizvođača prepravljati prvobitnu konstrukciju proizvoda. Uvek upotrebljavajte originalnu opremu. Neovlašćene modifikacije i/ili oprema mogu dovesti do teške povrede ili smrti rukovaoca ili drugih osoba. Garancija ne pokriva štete ni odgovornost nastale korišćenjem neodobrenih dodataka i rezervnih delova.
- Jedina oprema koju možete da koristite sa ovim proizvodom su nastavci za rezanje preporučeni u odeljku o dodatnoj opremi. Pogledajte *Dodaci na stranici 381*.
- Ne koristite proizvod koji je na bilo koji način modifikovan u odnosu na originalne specifikacije
- Nikad nemojte koristiti proizvod koji je neispravan. Izvršite uputstva za bezbednosne provere, održavanje i servisiranje koja su opisana u ovom priručniku. Neke postupke održavanja i servisiranja moraju da izvrše obučeni i kvalifikovani stručnjaci. Pogledajte uputstva u poglavlju „Održavanje“.
- Rad u lošim vremenskim uslovima je zamoran i često nosi dodatne rizike. Zbog većeg rizika se ne preporučuje da koristite mašinu po veoma lošem vremenu, na primer, po gustoj magli, jakoj kiši, jakom vetru, jakoj hladnoći, kad postoji opasnost od grmljavine, itd.
- Ne radite sa merdevina, stolica i drugih visokih mesta koja nisu potpuno obezbeđena.
- Čuvajte neaktivne uređaje u zatvorenom – kad ih ne koristite, čuvajte uređaje u zatvorenom prostoru.
- Nije moguće obuhvatiti sve situacije s kojima se možete suočiti. Uvek budite pažljivi i koristite zdrav razum. Izbegavajte sve situacije za koje smatrate da nisu u okviru vaših sposobnosti. Ako nakon čitanja ovog uputstva i dalje imate nedoumice u vezi s radnim postupcima, pre nastavka rada obratite se stručnjaku.
- Osigurajte da nijedna osoba niti životinja ne priđe bliže od 50 ft (15 m) od mesta na kom radite. Kada nekoliko rukovaoca radi u istoj oblasti, bezbedno rastojanje treba da bude bar 50 ft (15 m). U suprotnom, postoji rizik od teških telesnih povreda. Odmah zaustavite proizvod ako se neko približi. Nikada se nemojte okretati sa proizvodom ako prvo ne proverite da li ima nekoga u bezbednoj zoni.
- Osigurajte da ljudi, životinje ili druge stvari ne mogu uticati na upravljanje proizvodom i da ne dođu u

kontakt sa priključkom za košenje ili predmetima koje izbaci. Međutim, nemojte koristiti proizvod ako niste u mogućnosti da pozovete u pomoć u slučaju nezgode.

- Uverite se da možete da se krećete i stojite bezbedno. Proverite da u okolini nema mogućih prepreka (korenja, gromada kamena, granja, jaraka itd.) na koje biste naišli ako morate da napravite iznenađan pokret. Obratite posebnu pažnju pri radu na nagnutom terenu.
- Hodajte, ne trčite.
- Pregledajte radno područje. Uklonite sve slobodne predmete kao što je kamenje, slomljeno staklo, ekseri, čelične žice, vrpce itd. koji bi mogli da budu odbačeni ili da se obmotaju oko rezača ili štitnika rezača.
- Vodite računa o komadima grana koje mogu da budu odbačene u toku sečenja. Ne režite preblizu tla jer može da dođe do bacanja kamenja i drugih predmeta.
- Postarajte se da odeća i delovi tela ne dođu u dodir sa nastavkom za rezanje dok proizvod radi. Proizvod držite ispod nivoa struka.
- Upozorenje zbog izbačenih predmeta. Uvek nosite odobrenu zaštitu za oči. Nikada se ne naginjite preko štitnika priključka za košenje. Kamenčići, komadi materijala itd. mogu da vas udare u oči i tako izazovu slepilo ili teške povrede.
- Uvek budite oprezni u zapažanju signala upozorenja ili povika kada koristite zaštitne slušalice. Uvek skinite zaštitne slušalice odmah nakon zaustavljanja proizvoda.
- Ako dođe do neželjenih vibracija, izvucite strunu na odgovarajuću dužinu tapkanjem.
- Ako proizvod počne nenormalno da vibrira, zaustavite ga i uklonite bateriju.
- Preterano izlaganje vibracijama može da ošteti krvotok, ili pak da ošteti nerve kod ljudi koji imaju problema sa krvotokom. Obratite se lekaru ako imate simptome preterane izloženosti vibracijama. Ovi simptomi uključuju utrnulost, gubitak osećaja, trnce, bockanje, bol, gubitak snage, promene u boji ili stanju kože. Simptomi se obično pojavljuju u prstima, šakama ili zglobovima.
- Uvek držite proizvod obema rukama. Držite proizvod sa desne strane tela.

Lična zaštitna oprema



UPOZORENJE: Pročitajte upozoravajuća uputstva koja slede pri korišćenju proizvoda.

- Uvek koristite odobrenu ličnu zaštitnu opremu kada koristite proizvod. Lična zaštitna oprema ne može da u potpunosti spreči telesnu povredu, ali ona umanjuje stepen telesne povrede ako dođe do nesrećnog slučaja. Neka vam vaš prodavac pomogne u izboru odgovarajuće opreme.

- Nosite zaštitni šlem ako postoji opasnost od pada predmeta.
- Nosite odobrenu zaštitu za uši koja pruža dovoljno smanjenje buke. Dugotrajno izlaganje buci može prouzrokovati trajne povrede sluha.
- Koristite odobrenu zaštitu za oči. Prilikom korišćenja vizira istovremeno se moraju koristiti odobrene zaštitne naočare. Odobrene zaštitne naočare jesu takve koje ispunjavaju standard ANSI Z87.1 u SAD ili EN 166 u zemljama Evropske unije.
- Koristite vizir za zaštitu lica. Vizir nije dovoljan za zaštitu očiju.

(Sl. 9)

- Nosite rukavice po potrebi, na primer, kada pričvršćujete, pregledate ili čistite opremu za rezanje.
- Koristite stabilne čizme koje se ne klizaju.
- Nosite odeću napravljenu od jake tkanine. Uvek nosite debele, dugačke pantalone i dugačke rukave. Nemojte nositi široku odeću koja može da se zakači o grančice i grane. Nemojte nositi nakit, kratke pantalone, sandale ili ići bosonogi. Sklonite kosu tako da vam bude iznad ramena.

(Sl. 10)

- Držite komplet za prvu pomoć pri ruci.

(Sl. 11)

Bezbednosni uređaji na proizvodu



UPOZORENJE: Pročitajte upozoravajuća uputstva koja slede pri korišćenju proizvoda.

U ovom odeljku je objašnjena bezbednosna oprema proizvoda, njena svrha, te način kako treba obaviti provere i održavanje da bi se osigurao ispravan rad. Vidite uputstva pod naslovom *Uvod na stranici 370* da biste saznali gde se na vašem proizvodu nalaze ovi delovi.

Vek trajanja proizvoda se može skratiti, a rizik od nastupanja nesreća povećati ako se održavanje proizvoda ne vrši na pravi način i ako se servisiranje ili popravljavanje ne vrše stručno. Ako su vam potrebne dodatne informacije, kontaktirajte najbliži ovlašćeni servis.



UPOZORENJE: Nikada ne upotrebljavajte proizvod sa neispravnim delovima bezbednosne opreme. Bezbednosna oprema za proizvod mora da se pregleda i održava kako je opisano u ovom odeljku. Ako proizvod ne zadovolji bilo koju od tih provera, obratite se ovlašćenom servisu radi popravke.



OPREZ: Potrebna je posebna obuka za servisiranje i popravku mašina. Ovo se posebno odnosi na bezbednosnu opremu mašine. Ako mašina ne zadovolji bilo koju od dole opisanih provjera odnesite je svom servisnom agentu. Za bilo koji proizvod kupljen od nas garantujemo raspoloživost profesionalne popravke i servisiranja. Ako prodavac na malo koji je prodao mašinu nije serviser, zatražite od njega adresu najbližeg servisnog agenta.

- Oštećeni ili neispravni štitnik može da izazove telesnu povredu. Nemojte koristiti nastavak za rezanje koji nema odobreni pričvršćeni štitnik.
- Pobrinite se da sklopите poklopac i vratilo na ispravan način pre pokretanja proizvoda.
- Ako je uprtač isporučen sa nastavkom, uprtač mora biti ispravno postavljen na proizvod. Uprtač obezbeđuje siguran rad i sprečava telesne povrede rukovaoca ili drugih osoba.

Bezbedna upotreba baterije



UPOZORENJE: Pročitajte upozoravajuća uputstva koja slede pre korišćenja proizvoda.

Provera korisničkog interfejsa

1. Pritisnite i držite dugme za uključivanje/isključivanje (On/Off) (A). (Sl. 12)
 - a) Proizvod je uključen kad ekran (B) svetli.
 - b) Proizvod je isključen kad ekran ne svetli.
2. Ako indikator upozorenja na ekranu svetli ili trepće, pogledajte *Tastatura na stranici 379*.

Provera zaključavanja obarača gasa

Blokada obarača gasa je predviđeno za sprečavanje slučajnog aktiviranja. Kad gurnete blokadu obarača gasa ka napred (A) i onda ga pritisnete uz dršku (B), obarač gasa (C) se oslobađa. Kad otpustite ručku, obarač gasa i blokada obarača gasa se vraćaju u prvobitne položaje. Pomeranje kontrolišu tri zasebne opruge. (Sl. 13)

1. Proverite da li je obarača gasa blokiran kada je blokada u originalnom položaju. (Sl. 14)
2. Gurnite blokadu obarača gasa napred (A) i nadole. Pritisnite blokadu obarača gasa uz dršku (B) i uverite se da se vraća u početni položaj kada je otpustite. (Sl. 15)
3. Uverite se da se obarač gasa i blokada obarača gasa slobodno pomeraju i da povratne opruge ispravno rade. (Sl. 16)
4. Pritisnite dugme On/Off (Uključivanje/isključivanje) da biste postavili proizvod na „On“ (Uključeno).
5. Pritisnite obarač gasa do kraja da biste dobili punu brzinu.
6. Otpustite obarač gasa i uverite se da se nastavak za rezanje zaustavlja i ostaje u mirovanju.

Bezbednosna uputstva za sklapanje



UPOZORENJE: Pročitajte priručnik za ovu jedinicu za napajanje zajedno sa priručnikom za odobrenu dodatnu opremu.

- Izvadite bateriju iz proizvoda pre nego što sastavite proizvod.
- Koristite odobrene zaštitne rukavice.

- Koristite samo Husqvarna odobrene baterije. Pogledajte *Odobrena baterija na stranici 380*. Baterije su softverski kodirane.
- Koristite Husqvarna odobrene baterije kao izvor napajanja samo za odgovarajuće Husqvarna proizvode. Kako bi se sprečila telesna povreda, nemojte koristiti bateriju kao izvor napajanja za druge uređaje.
- Opasnost od strujnog udara. Nemojte povezivati terminale baterije na ključeve, kovanice, vijke ili druge metalne predmete. To može dovesti do kratkog spoja baterije.
- Ne koriste baterije za jednokratnu upotrebu.
- Nemojte stavljati predmete u proreze za vazduh baterije.
- Držite bateriju tako da ne bude izložen sunčevoj svetlosti, toploti ili otvorenom plamenu. Baterija može da izazove opekotine i/ili hemijske opekotine.
- Držite bateriju tako da ne bude izložena kiši i vlažnim uslovima.
- Držite bateriju dalje od mikrotalasnih pećnica i visokog pritiska.
- Nemojte pokušavati da rastavite ili lomite bateriju.
- Ako baterija curi, ne dozvolite da vam ta tečnost dospe na kožu ili u oči. Ako ste dodirnuli tečnost, isperite površinu velikom količinom vode sa sapunom i obratite se doktoru. Ako vam tečnost dospe u oči, nemojte ih trljati, već ih ispirajte vodom najmanje 15 minuta i potražite medicinsku pomoć.
- Koristite bateriju na temperaturama između -10 °C (14 °F) i 40 °C (114 °F).
- Nemojte čistiti bateriju ili punjač baterija vodom. Pogledajte *Čišćenje proizvoda, akumulatora i punjača akumulatora na stranici 378*.
- Nemojte koristiti bateriju koja je oštećena ili neispravna.
- Držite baterije uskladištene tako da budu udaljeni od metalnih predmeta kao što su ekseri, vijci ili nakit.
- Držite bateriju van domašaja dece.

Bezbedna upotreba punjača baterije



UPOZORENJE: Pročitajte upozoravajuća uputstva koja slede pre korišćenja proizvoda.

- Opasnost od strujnog udara ili kratkog spoja ako se ne poštuju bezbednosne mere.
- Ne koristite druge punjače baterije osim onog namenjenog za proizvod. Koristite samo Husqvarna odobrene punjače baterija za punjenje Husqvarna odobrenih baterija. Uputstva potražite u *Tehnički podaci na stranici 380*.
- Nemojte pokušavati da rasklopite punjač baterije.
- Nemojte koristiti punjač baterije koji je oštećen ili neispravan.
- Nemojte podizati punjač baterije za kabl za napajanje. Da biste iskopčali punjač baterije sa mrežne utičnice, povucite utikač. Ne vucite kabl za napajanje.
- Držite sve kablove i produžne kablove dalje od vode, ulja i oštih ivica. Uverite se da kabl nije priklješten između predmeta, npr. vratima, ogradom ili drugo.
- Nemojte koristiti punjač baterije u blizini zapaljivih materijala ili materijala koji mogu da izazovu koroziju. Uverite se da punjač baterija nije pokriven. Izvucite utikač kabla iz punjača baterije ako se pojave dim ili vatra.
- Baterije puniti samo u zatvorenom prostoru u prostoriji sa dobrom ventilacijom i podalje od sunčeve svetlosti. Nemojte puniti bateriju na otvorenom. Nemojte puniti bateriju u vlažnim uslovima.
- Koristite punjač baterije samo na temperaturama između 5 °C (41 °F) i 40 °C (104 °F). Punjač koristite u okruženju koje je dobro provetreno, suvo i bez prašine.

- Nemojte stavljati predmete u proreze za hlađenje punjača baterije.
- Nemojte povezivati terminale punjača na metalne predmete jer to može dovesti do kratkog spoja.
- Koristite odobrene i neoštećene utičnice za strujnu mrežu. Uverite se da kabl punjača baterije nije oštećen. Ako koristite produžni kabl, uverite se da nije oštećen.

Bezbednosna uputstva za održavanje



UPOZORENJE: Pročitajte upozoravajuća uputstva koja slede pre održavanja proizvoda.

- Uklonite akumulator pre održavanja, provere i sklapanja proizvoda.
- Rukovalac sme da vrši samo održavanje i servisiranje opisano u korisničkom uputstvu. Obratite se serviseru radi održavanja i servisiranja većih dodataka.
- Nemojte čistiti akumulator ili punjač akumulatora vodom. Jak deterđent može da ošteti plastiku.
- Neodržavanje smanjuje radni vek proizvoda i povećava rizik od nezgoda.
- Za poslove servisiranja i popravke potrebna je posebna obuka, naročito kad je reč o bezbednosnim uređajima na proizvodu. Ako posle odobravanja uređaj ne prođe sve provere opisane u korisničkom uputstvu, obratite se serviseru. Garantujemo da su za vaš proizvod dostupne profesionalne popravke i servisiranje.
- Koristite samo originalne rezervne delove.
- Uvek nosite čvrste rukavice kada popravljate priključak za košenje. Noževi su veoma oštri i mogu lako da nanesu telesne povrede.

Skapanje

Skapanje kružne drške

1. Postavite kružnu dršku na osovinu između strelica. Ne stavljajte kružnu dršku ili prsten vešanja na nalepnicu. (Sl. 17)
2. Pomerite distancer u prorez na kružnoj dršci.
3. Postavite vijak, dugme i maticu, nemojte previše zatezati.
4. Postavite proizvod u udoban položaj.
5. Pritegnite vijak.

Skapanje dvodelne osovine

1. Okrenite dugme da biste olabavili spojnicu. (Sl. 18)
2. Poravnajte jezičak (A) sa strelicom (B) na spojnici. (Sl. 19)

3. Gurnite osovinu u spojnicu dok ne klikne na mesto. (Sl. 20)
4. Potpuno zategnite dugme. (Sl. 21)

Rasklapanje dvodelne osovine

1. Okrenite dugme za 3 okreta ili više da biste olabavili spojnicu. (Sl. 22)
2. Pritisnite i zadržite dugme (C).
3. Držite čvrsto kraj osovine na koji je pričvršćen motor.
4. Izvucite nastavak iz spojnice. (Sl. 23)

Postavljanje prstena vešanja, ako postoji

1. Postavite prsten vešanja između strelica na zadnjoj dršci i kružnoj dršci. (Sl. 24)

Napomena: Ne stavljajte kružnu dršku preko nalepnice.

2. Podesite prsten tako da proizvod bude uravnotežen i lak za baratanje.

Rukovanje

Uvod



UPOZORENJE: Pre korišćenja proizvoda je potrebno da pročitate i razumete poglavlje o bezbednosti.

Husqvarna Connect

Husqvarna Connect je besplatna aplikacija za mobilne uređaje. Aplikacija Husqvarna Connect pruža proširene funkcije za proizvod Husqvarna.

- Dodatne informacije o proizvodu.
- Informacije o delovima proizvoda i servisiranju i pomoći u vezi s njima.

Početak upotrebe Husqvarna Connect

1. Preuzmite aplikaciju Husqvarna Connect na svoj mobilni uređaj.
2. Registrujte se u aplikaciji Husqvarna Connect.
3. Pratite uputstva u aplikaciji Husqvarna Connect da biste se povezali i registrovali proizvod.

Napomena: Aplikacija Husqvarna Connect nije dostupna na svim tržištima. Obratite se serviseru za više informacija.

Da biste povezali akumulator na proizvod



UPOZORENJE: Za ovaj proizvod koristite samo originalne Husqvarna akumulator.

1. Uverite se da je akumulator napunjen do kraja.
2. Gurnite akumulator u držač akumulatora na proizvodu. Akumulator je u dobrom položaju kad čujete klik. (Sl. 25)



OPREZ: Ako je teško staviti akumulator u držač, niste ga pravilno postavili. To može da ošteti proizvod.

3. Uverite se da je akumulator pravilno postavljen.

Punjenje baterije

Napomena: Napunite bateriju ako je to prvi put da se koristi. Nov akumulator je napunjen samo 30%.

1. Uverite se da je baterija suva.

2. Stavite bateriju u punjač baterije. (Sl. 26)

Napomena: Baterija i punjač baterije mogu drugačije da izgledaju između različitih modela, ali postupak je isti.

3. Proverite da li se zeleno svetlo punjenja na punjaču uključilo. To znači da je baterija pravilno postavljena u punjač baterije.
4. Baterija je potpuno napunjena kada na njoj svetle sve LED lampice. (Sl. 27)
5. Da biste iskopčali punjač baterije sa mrežne utičnice, povucite utikač. Nemojte vući za kabl.
6. Izvadite bateriju iz punjača baterije.

Napomena: Više informacija ćete naći u uputstvima za bateriju i punjač baterije.

Radni položaj

- Držite proizvod sa 2 ruke.
- Držite proizvod sa desne strane tela.
- Držite nastavak za rezanje ispod nivoa struka.
- Držite delove tela podalje od vrućih površina.
- Držite delove tela podalje od nastavka za rezanje.

Pre rada sa proizvodom

- Pregledajte radno područje da biste osigurali da znate tip terena, nagib tla, kao i to da li postoje prepreke kao što su kamenje, granje i jarci.
- Izvršite pažljivi pregled proizvoda.
- Izvršite bezbednosne preglede, održavanje i servisiranje koji su dati u ovom priručniku.
- Uverite se da su svi poklopci, štitnici, ručke i dodatna oprema ispravno postavljeni i da nisu oštećeni.

Pokretanje proizvoda

1. Pritisnite i držite dugme On/Off dok ne zasvetli zeleni LED. (Sl. 28)
2. Koristite obarač gasa za kontrolu brzine.

Ograničavanje maksimalne brzine dugmetom za izbor režima

Proizvod ima dugme za izbor režima. Rukovalac može da ograniči maksimalnu brzinu dugmetom za izbor režima. Dugme za izbor režima ima 3 nivoa brzine. Niži nivo produžava dostupno vreme rada proizvoda. Dugme za izbor režima ima 3 nivoa brzine. Niži nivo produžava dostupno vreme rada proizvoda. Koristite nivoe 1 i 2 ako za rad nije potrebna puna brzina/snaga. Ako radni

uslovi zahtevaju punu brzinu / snagu, koristite 3. nivo. Ne koristite viši nivo od potrebnog tokom rada.

1. Pritisnite dugme za izbor režima da biste ograničili maksimalnu brzinu. Uključuje se bela LED lampica kao znak da je funkcija uključena. (Sl. 29)
2. Ponovo pritisnite dugme za izbor režima da biste izabrali sledeći nivo brzine.

Funkcija automatskog isključivanja

Proizvod ima funkciju automatskog isključivanja, koja isključuje proizvod ako se ne koristi duže od 3 minuta.

Zaustavljanje proizvoda

1. Pustite obarač gasa ili zaključavanje obarača gasa.
2. Pritisnite dugme za uključivanje/isključivanje (On/Off). (Sl. 30)
3. Pritisnite dugmad za otpuštanje na bateriji i izvadite je. (Sl. 31)

Održavanje

Uvod



UPOZORENJE: Pre održavanja morate pročitati i razumeti poglavlje o bezbednosti.

Šema održavanja



UPOZORENJE: Skinite bateriju pre održavanja.

Sledi lista koraka održavanja koje treba izvršiti na proizvodu. Pored održavanja koje je naznačeno u rasporedu održavanja, neka Husqvarna serviser redovno obavlja servisiranje na proizvodu. Za informacije u vezi sa intervalima servisiranja, obratite se Husqvarna servisnom centru.

Održavanje	Dnevno	Nedeljno	Mesečno
Očistite spoljne površine proizvoda suvom krpom. Ne koristite vodu.	X		
Proverite da li je dugme napajanja oštećen i da li pravilno radi.	X		
Uverite se da obarač gasa i zaključavanje obarača gasa rade pravilno po pitanju bezbednosti.	X		
Uverite se da sve komande rade i da nisu oštećene.	X		
Ručke bi trebalo da budu suve, čiste i bez ostataka ulja i maziva.	X		
Uverite se da su zavrtnji i navrtke pritegnuti.	X		
Uverite se da dugmad za otpuštanje na bateriji ispravno radi i da zaključava bateriju na proizvod.	X		
Uverite se da baterija nije oštećena.	X		
Uverite se da je baterija napunjena.	X		
Uverite se da punjač baterije nije oštećen i da pravilno radi.	X		
Pregledajte sve kablove, spojnice i veze. Uverite se da nisu oštećeni i da nisu zaprljani.		X	
Proverite kontakte između baterije i proizvoda. Proverite kontakte između baterije i punjača baterije.			X

Čišćenje proizvoda, akumulatora i punjača akumulatora

1. Proizvod čistite nakon upotrebe pomoću suve krpe.

2. Za čišćenje akumulatora i punjača akumulatora koristite suhu krpu. Održavajte vodice baterija čistim.

3. Uverite se da su polovi na akumulatoru i punjaču akumulatora čisti pre nego što stavite akumulator u punjač ili u proizvod.

vratila (ožljebljena spojnica) zaribaju na modelima sa dvodelnom osovinom ako se podmazivanje ne vrši redovno.
(Sl. 32)

Dvodelna osovina

Nanesite mazivo na kraj pogonskog vratila nakon svakih 30 sati rada. Postoji opasnost da krajevi pogonskog

Rešavanje problema

Tastatura

LED displej	Moguće greške	Moguća radnja
Zeleni LED pokretanja trepće	Nizak napon baterije.	Napunite akumulator.
Crvena LED lampica greške trepće	Preopterećenje.	Nastavak za rezanje je zaglavljen, isključite proizvod. Uklonite akumulator. Očistite neželjen materijal sa nastavka za rezanje.
	Odstupanje temperature.	Pustite proizvod da se ohladi.
	Obarač gasa i dugme za pokretanje su pritisnuti istovremeno.	Pustite obarač gasa, proizvod je uključen.
Proizvod ne može da se pokrene	Prjavština na priključcima akumulatora.	Očistite priključke akumulatora komprimovanim vazduhom ili mekom četkom.
LED greške sija crveno	Proizvodu je potrebno servisiranje.	Obratite se servisnom agentu.

Transport, skladištenje i odlaganje

Transport i skladištenje

- Isporučene litijum-jonske baterije su usaglašene sa zakonskim propisima o opasnoj robi.
- Poštujte specijalne zahteve date na pakovanju i oznakama za komercijalni transport, uključujući i one od trećih strana i špeditera.
- Pre slanja proizvoda se konsultujte sa osobom stručnom za opasne materijale. Poštujte sve važeće državne propise.
- Stavite izolir-traku na gole kontakte kad stavljate bateriju u paket. Bateriju treba tesno upakovati, da bi se sprečilo pomeranje.
- Izvadite bateriju tokom transporta i skladištenja.
- Stavite bateriju i punjač baterije u suv prostor koji ne mrzne.
- Ne čuvajte bateriju na mestima gde može doći do statičkog pražnjenja. Ne čuvajte bateriju u metalnoj kutiji.
- Skladištite bateriju samo na mestima na kojima je temperatura okoline između 5 °C / 41 °F i 25 °C / 77 °F i dalje od direktne sunčeve svetlosti.
- Skladištite punjač baterije samo na mestima na kojima je temperatura okoline između 5 °C / 41 °F i 45°C / 113 °F i dalje od direktne sunčeve svetlosti.
- Koristite punjač baterije samo kad je temperatura okoline između 5 °C / 41 °F i 40 °C / 104 °F.
- Napunite bateriju od 30% do 50% pre dužeg skladištenja.
- Skladištite punjač baterije na zatvorenom i suvom mestu.
- Držite bateriju van punjača baterije tokom skladištenja. Ne dozvolite da deca i neovlašćene osobe diraju opremu. Čuvajte opremu na mestu koje može da se zaključa.
- Očistite proizvod i izvršite kompletno servisiranje pre nego što uskladištite proizvod na duži vremenski period.
- Koristite štitnik za transport na proizvodu da biste sprečili povrede ili oštećenje proizvoda tokom transporta i skladištenja.
- Pričvrstite proizvod tokom transporta.

Odbacivanje baterije, punjača baterije i proizvoda

Simboli na proizvodu ili njegovom pakovanju ukazuju na to da ovaj proizvod nije otpad iz domaćinstva. Reciklirajte ga na lokaciji za recikliranje električne i

elektronske opreme. Time se čuva životna sredina i zdravlje ljudi.

Stupite u kontakt sa lokalnim vlastima, servisom za otpad iz domaćinstva ili prodavcem za više informacija o recikliranju ovog proizvoda.

Tehnički podaci

Tehnički podaci

	325iLK
Motor	
Tip motora	BLDC (bez četkica) 36 V
Brzina izlazne osovine, 1/min	8400
Težina	
Težina (samo jedinica za napajanje), kg	2,9
Emisije buke ^{209, 210}	
Nivo zvučne snage, mereno u dB (A)	89–103
Nivo zvučne snage, garantovano L _{WA} dB (A)	90–106
Nivoi buke ^{211, 212}	
Ekvivalent nivoa pritiska zvuka na uho rukovaoca, mereno prema standardu EN 62841-1 dB (A):	78–93
Nivoi vibracije ^{213, 214}	
Nivoi vibracija na ručkama, mereni prema standardu EN 62841-1, m/s ²	1,3–5,5/1,1–3,1

Odobrena baterija

Baterija	BLI200	40-B220X
Tip	Litijum-jonska	Litijum-jonska
Kapacitet baterije, Ah	5,2	6,0

²⁰⁹ Emisije buke u okruženju merene kao zvučna snaga (LWA) u skladu sa direktivom 2000/14/EZ. Izveštajni nivo zvučne snage za mašinu meren je sa originalnim priključkom za košenje koji daje najviši nivo. Razlika između garantovanog i izmerenog nivoa zvučne snage je da garantovana zvučna snaga takođe obuhvata raspršenje rezultata merenja i razlike između različitih proizvoda istog modela u skladu sa Direktivom 2000/14/EC.

²¹⁰ Raspon buke navodi izmerenu vrednost od najniže do najviše.

²¹¹ Podaci iz izveštaja za nivo zvučnog pritiska za mašinu uključuju tipičnu statističku disperziju (standardno odstupanje) od 3 dB (A) a što je izmereno sa originalnim priključkom koji daje najviši nivo.

²¹² Raspon buke navodi izmerenu vrednost od najniže do najviše.

²¹³ Podaci o nivou vibracije imaju tipičnu statističku disperziju (standardnu devijaciju) od 2 m/s². Za poređenje nivoa vibracija, baterijskih i benzinskih proizvoda, koristite kalkulator vibracija. <https://www.husqvarna.com/uk/services-solutions/vibration-calculator/>

²¹⁴ Raspon buke navodi izmerenu vrednost od najniže do najviše.

Baterija	BLi200	40-B220X
Nazivni napon, V	36.	36.
Masa, kg (lb)	1,3 (2,9)	1,4 na 3,1

Odobreni punjači baterije

Punjač baterije	QC330	40-C500X
Ulazni napon, V	100–240	100–240
Frekvencija, Hz	50–60	50–60
Snaga, W	330	500

Dodaci

Dodaci

Odobreni dodaci	Broj dodatka²¹⁵	Grupa dodataka²¹⁶	Koristite uz
Dodatak za rezač žbunja BCA850	1	1–10	325iLK
Dodatak za duvač BA101	11	11–20	325iLK
Dodatak za ivice ECA850	21.	21–30	325iLK
Dodatak za ivice ESA850	22	21–30	325iLK
Dodatak za makaze za živu ogradu HA860	32.	31–40	325iLK
Dodatak za teleskopsku testeru PAX730	41.	41–50	325iLK
Dodatak za teleskopsku testeru PAX1100	42.	41–50	325iLK
Dodatak za testeru PA1100	43	41–50	325iLK
Dodatak za čišćenje SR600-2	51.	51–60	325iLK
Dodatak za grubu četku BR600	52	51–60	325iLK
Dodatak za provetravač DT600	53.	51–60	325iLK
Dodatak za kultivator CA230	54.	51–60	325iLK
Nastavak za rezanje sa recipročnim sečivima RA850	2	1–10	525iLK

²¹⁵ Ovo je specifičan broj odobrenog dodatka unutar grupe dodataka.

²¹⁶ Odobreni dodaci su podeljeni po grupama dodataka. Svaka grupa dodataka ima slične funkcije i nalepnice.

Deklaracija o usaglašenosti

EU deklaracija o usaglašenosti

Mi, **Husqvarna AB**, SE-561 82 Huskvarna, Švedska, tel: +46-36-146500, izjavljujemo pod punom odgovornošću da je proizvod:

Opis	Baterijska jedinica (trimer za travu)
Marka	Husqvarna
Tip/model	325iLK (pogonjena jedinica)
Identifikacija	Serijski brojevi od 2024 i nadalje

u potpunosti usaglašen sa sledećim EU direktivama i propisima:

Direktiva/propis	Opis
2006/42/EZ	„koji se odnose na mašine“
2014/30/EMC	„koji se odnose na elektromagnetsku kompatibilnost“
2011/65/EU	„koji se odnose na ograničenje opasnih supstanci“
2000/14/EZ	„koji se odnose na buku u otvorenom prostoru“

i da su sledeći standardi i/ili tehničke specifikacije primenjeni: EN ISO 12100:2010, EN 62841-1:2015+AC:2015+A11:2022, EN 62841-4-2:2019+A11:2022+A1:2022, IEC 62841-4-4:2020+A1:2024, IEC 62841-4-6:2022, ISO 11449:1994, EN ISO 11680-1:2021, EN 61000-6-3:2007+A1:2011, EN 61000-6-1:2016, EN IEC 63000:2018.

Odgovoran za tehničku dokumentaciju



SMP Svensk Maskinprovning AB., Box 4053, SE-904 03 Umeå, Sweden sproveo je dobrovoljno ispitivanje tipa u skladu sa dodatkom IX 2006/42/EC. Broj sertifikata: SEC/24/2593.

Ovlašćeno telo: SMP Svensk Maskinprovning AB, takođe je potvrdio slaganje sa dodatkom V Direktive Veća 2000/14/EC. Broj sertifikata: 01/1610/013.

Za informacije o emisiji buke pogledajte *Tehnički podaci na stranici 380*.

Huskvarna, 2024-02-01

Gosp. Stefan Holmberg, Direktor sektora za istraživanje i razvoj, Upravljanje tehnologijom, Husqvarna AB, Švedska

VSEBINA

Uvod.....	383	Odpravljanje težav.....	392
Varnost.....	384	Transport skladiščenje in odstranitev.....	392
Montaža.....	389	Tehnični podatki.....	393
Delovanje.....	390	Dodatki.....	394
Vzdrževanje.....	391	Izjava o skladnosti.....	395

Uvod

Namen uporabe

Ta električna naprava je le osnovna enota, ki deluje samo v povezavi z odobreno dodatno opremo; za

odobreno dodatno glejte *Dodatki na strani 394*. Ta navodila uporabljajte v kombinaciji z navodili za uporabo atestiranega priključka.

Pregled izdelka

(Sl. 1)

1. Navodila za uporabo
2. 4 mm šestkotni
3. Okrogli ročaj
4. Gumb
5. Gumb za vklop/izklop
6. Gumb za hitrost
7. Zaklep sprožilca plina
8. Uporabniški vmesnik
9. Sprožilnik
10. Polnilnik akumulatorja (dodatna oprema)
11. Indikator polnjenja in napake na polnilniku
12. Gumba za sprostitvev akumulatorja
13. Akumulator (dodatna oprema)
14. Indikator LED za stanje napoljenosti
15. Opozorilni indikator LED
16. Indikatorski gumb stanja akumulatorja
17. Spojka za priključek

(Sl. 5) Enosmerni tok.

(Sl. 6) Izdelek je skladen z veljavnimi direktivami ES.

(Sl. 7) Simboli na izdelku ali njegovi embalaži opozarjajo, da tega izdelka ne smete obravnavati kot gospodinjskega odpadka. Ta izdelek je treba odložiti v ustrezen obrat za recikliranje.

(Sl. 8) Izdelek je zaščiten pred pljuski vode.

yyyywwxxxx Na tipski ploščici je navedena serijska številka. **yyyy** je proizvodno leto, **ww** je proizvodni teden in **xxxx** je serijska številka.

Opomba: Akumulatorji in polnilniki se lahko med različnimi modeli razlikujejo.

Opomba: Ostali znaki in oznake na izdelku se nanašajo na zahteve za certifikacijo, ki veljajo za druga komercialna območja.

Simboli na izdelku

(Sl. 2) **OPOZORILO!** Ta izdelek je lahko nevaren! Nepredvidna in neustrezna uporaba lahko povzročita resne telesne poškodbe in celo smrt uporabnika ali navzočih oseb. Zato je zelo pomembno, da preberete in razumete navodila za uporabo. Pred začetkom uporabe izdelka morate natančno prebrati navodila za uporabo in jih razumeti.

(Sl. 3) Pred vzdrževanjem odstranite akumulator.

(Sl. 4) Nazivna napetost, V

Proizvajalec

Husqvarna AB

Drotningatan 2, SE-561 82 Huskvarna, Sweden, tel: +46-36-146500

Škoda izdelka

Za škodo na izdelku ne odgovarjamo, če:

- Izdelek ni pravilno popravljen.
- Izdelek je popravljen z deli, ki jih ni izdelal ali odobril proizvajalec.
- Na izdelku je nameščena dodatna oprema, ki je ni izdelal ali odobril proizvajalec.
- Izdelek ni bil popravljen v pooblaščenem servisnem centru ali pri pooblaščenem organu.

Podpora

Za pomoč in podporo za izdelek si oglejte razdelek s podporo na spletnem mestu, kjer so na voljo navodila in

vodniki za odpravljanje težav, ali pa uporabite Husqvarna Samopostrežni portal in Pomočnika za izdelke (če je na voljo na vašem trgu). Za dodatno podporo o izdelku se obrnite na servisnega zastopnika Husqvarna.

Varnost

Varnostne definicije

Opozorila, svarila in opombe opozarjajo na posebej pomembne dele priročnika.



OPOZORILO: Se uporabi, če obstaja nevarnost telesne poškodbe ali smrti uporabnika ali opazovalcev ob neupoštevanju navodil v tem priročniku.



POZOR: Se uporabi, če obstaja nevarnost poškodbe izdelka, drugih materialov ali okolice ob neupoštevanju navodil v tem priročniku.

Opomba: Se uporabi za podajanje podrobnejših informacij, potrebnih v dani situaciji.

Splošna varnostna opozorila za električno orodje



OPOZORILO: Navodila za uporabo atestiranega priključka uporabljajte v kombinaciji z navodili za uporabo te električne naprave.



OPOZORILO: Preberite vsa varnostna opozorila, navodila, slike in specifikacije, dobavljene s tem električnim orodjem. Neupoštevanje vseh spodaj navedenih navodil lahko povzroči električni udar, požar in/ali težko telesno poškodbo.

Opomba: Shranite vsa opozorila in navodila za bodočo uporabo. Izraz »električno orodje« v opozorilih se nanaša na orodje z napajanjem prek kabla neposredno iz električnega omrežja ali baterijskega električnega orodja (brez kabla).

Varnost delovnega področja

- **Poskrbite za čistočo in dobro osvetlitev delovnega področja.** V prenatrpanih ali mračnih prostorih lahko hitro pride do nesreče.
- **Strojev ne uporabljajte v eksplozivnih okoljih, na primer v prisotnosti vnetljivih tekočin, plinov ali prahu.** Stroji ustvarjajo iskre, ki lahko vnamejo prah ali hlape.

- **Med uporabo stroja se otroci ali opazovalci ne smejo zadrževati v bližini.** Odvratanje pozornosti lahko povzroči izgubo nadzora.

Električna varnost

- **Priključni vtič orodja mora biti primeren za vtičnico. Vtiča na noben način ne spreminjajte. Z ozemljenim strojem ne uporabljajte adapterjev za vtič.** Nepredelani vtiči in ustrezne vtičnice poskrbijo za zmanjšano nevarnost električnega udara.
- **Izogibajte se telesnega stika z ozemljenimi površinami, kot so cevi, radiatorji, štedilniki in hladilniki.** Če je vaše telo ozemljeno, se nevarnost električnega udara poveča.
- **Orodja ne smejo biti izpostavljena dežju ali mokrim pogojem.** Vlaga, ki vdre v stroj, povečuje nevarnost električnega udara.
- **Ne ravnejte grobo s kablom. Kabla nikoli ne uporabljajte za prenašanje, vlečenje ali odkapljanje stroja iz vtičnice. Kabel ne sme priti v stik z vročino, toplote, oljem, ostrimi robovi ali premikajočimi deli.** Poškodovani ali zavozlani kabli povečujejo nevarnost električnega udara.
- **Če orodje uporabljate na prostem, uporabljajte samo podaljške, ki so primerni tudi za uporabo na prostem.** Za zmanjšanje nevarnosti električnega udara uporabljajte kabel, primeren za zunanjo uporabo.
- **Če se ne morete izogniti upravljanju orodja v vlažnem okolju, uporabite napajanje z zaščitno napravo na diferencialni tok (RCD).** Uporaba naprave RCD zmanjšuje nevarnost električnega udara.

Osebna zaščita

- **Bodite pozorni, pazite, kaj počnete, in pri delu z orodjem ravnajte razumno. Ne uporabljajte orodja, ko ste utrujeni ali pod vplivom drog, alkohola ali zdravil.** Trenutek nepozornosti med uporabo stroja lahko povzroči hudo telesno poškodbo.
- **Uporabljajte osebno zaščitno opremo. Vedno uporabljajte zaščito za oči.** Zaščitna oprema, na primer prašna maska, čevlji z nedrsečimi podplati, čelada ali zaščita za sluh, uporabljena v pravih okoliščinah, zmanjšuje nevarnost osebnih poškodb.
- **Izogibajte se neželenemu zagonu. Pred priklopom izdelka na vir napajanja ali namestitvijo baterije, dvigom ali prenašanjem se prepričajte, da je stikalo v položaju za izklop.** Prenašanje strojev s prstom na stikalo ali priklop stroja z vklopljenim stikalom lahko povzroči nesrečo.

- **Pred vklopom orodja, odstranite nastavitvena ključa ali izvijače.** Če ostane ključ na vrtljivem delu stroja, lahko ta povzroči telesne poškodbe.
- **Rok ne segujte predaleč. Vedno zanesljivo stopajte in pazite na ravnotežje.** To vam omogoča boljši nadzor nad strojem ob nepričakovanih dogodkih.
- **Primerno se oblecite. Ne nosite ohlapnih oblačil in nakita. Z lasmi in oblačili ne segajte v območje gibljivih delov.** Ohlapne obleke, nakit ali dolgi lasje se lahko zapletejo v premične dele.
- **Če so naprave opremljene s priključkom za odvajanje in zbiranje prahu, mora biti ta zaseden in pravilno uporabljen.** Zbiranje prahu lahko zmanjša nevarnost zaradi vdihavanja tega.
- **Kljub morebitni pogosti uporabi stroja bodite previdni in upoštevajte varnostna opozorila za stroja.** Brezbrižna uporaba lahko v trenutku povzroči hudo telesno poškodbo.

Uporaba in ravnanje z orodjem

- **Pri delu z napravo ne uporabljajte sile. Pri delu uporabljajte ustrezen stroj.** Pravi stroj bo delo opravil bolje in varneje, če deluje pri hitrosti, za katero je bil zasnovan.
- **Ne uporabljajte orodja s pokvarjenim stikalom za vklop in izklop.** Stroj, ki ga ni mogoče upravljati s stikalom, je nevaren in ga je treba popraviti.
- **Pred izvajanjem nastavitve, menjavo priključkov ali shranjevanjem orodja izvilcite vtič iz električne vtičnice in/ali odstranite baterijo iz orodja, če je to mogoče.** Tovrstni preventivni ukrepi pomagajo zmanjšati nevarnost nenamernega vklopa stroja.
- **Orodje, ki ga ne uporabljate, hranite zunaj dosega otrok. Ne dovolite, da bi orodje uporabljale osebe, ki niso seznanjene z njegovo uporabo ali niso prebrale teh navodil.** Stroj je v rokah nepoučenih uporabnikov nevaren.
- **Vzdržujte orodje in dodatno opremo. Preverite poravnavo ali zatikanje gibljivih delov. Prepričajte se, da noben del ni poškodovan, in preverite vsa druga stanja, ki bi lahko vplivala na delovanje orodja. Če je stroj poškodovan, ga pred uporabo odnesite v popravilo.** Veliko nesreč povzročijo slabo vzdrževani stroji.
- **Rezila naj bodo vedno ostra in čista.** Pravilno vzdrževani stroji z ostrimi rezalnimi robovi se manj zatikajo in jih je lažje kontrolirati.
- **Orodje, dodatno opremo, nastavke itd. uporabljajte v skladu s temi navodili. Pri tem upoštevajte delovne pogoje in delo, ki ga želite opraviti.** Uporaba stroja za opravila, za katera ta stroj ni namenjen, je lahko nevarna.
- **Ročaji in prijemalne površine naj bodo suhi, čisti in brez ostankov olja in masti.** Če so ročaji in prijemalne površine spolzki, ne omogočajo varne uporabe in upravljanja stroja v nepričakovanih razmerah.

Uporaba in nega akumulatorskega stroja

- **Baterijo polnite le s polnilnikom, ki ga določi proizvajalec.** Polnilnik, ki je primeren za eno vrsto baterij, lahko poveča nevarnost požara pri drugih baterijah.
- **V orodja vstavljajte samo posebej zasnovane akumulatorske baterije.** Če uporabite druge baterije, se lahko poveča nevarnost poškodb in požara.
- **Ko baterije ne uporabljate, ne sme priti v stik z drugimi kovinskimi predmeti, kot so sponke za papir, kovanci, ključji, žebliji, vijaki ali drugi majhni kovinski predmeti, ki lahko vzpostavijo povezavo med dvema poloma.** Kratek stik med poloma baterije lahko povzroči opeklino ali požar.
- **Ob nepravilni in grobi uporabi lahko iz baterije izteka tekočina; izogibajte se stiku s tekočino. Če se tekočine nehotе dotaknete, sperite roke z vodo. Če pride tekočina v stik z očmi, poiščite zdravniško pomoč.** Tekočina, ki izteka iz baterije, lahko povzroči draženje ali opeklino.
- **Ne uporabljajte poškodovane ali spremenjene akumulatorske baterije ali akumulatorskega stroja.** Poškodovani ali predelani akumulatorji se lahko obnašajo nepredvidljivo in lahko posledično zagorijo, eksplodirajo ali predstavljajo nevarnost poškodb.
- **Akumulatorske baterije ali akumulatorskega stroja ne izpostavljajte ognju ali prekomernim temperaturam.** Izpostavljenost ognju ali temperaturam nad 130 °C (265 °F) lahko povzroči eksplozijo.
- **Upoštevajte vsa navodila za polnjenje in ne polnite akumulatorske baterije ali akumulatorskega stroja pri temperaturah zunaj temperaturnega območja, navedenega v navodilih.** Neustrezna zamenjava ali temperature zunaj dovoljenega območja lahko povzročijo poškodbe baterije in povečajo nevarnost požara.

Servis

- **Popravila stroja sme izvajati usposobljen serviser, pri tem pa mora uporabljati originalne nadomestne dele.** S tem zagotovite ohranitev kakovosti in varnosti stroji.
- **Ne servisirajte poškodovanih baterijskih enot.** Baterijske pakete lahko servisirajo samo proizvajalec in pooblaščen servisni ponudniki.

Druge splošne varnostne informacije

- Izdelek izklopite, preden se premaknete na drugo območje. Pred predajo izdelka drugi osebi obvezno odstranite akumulator.
- Izdelka nikoli ne odložite, če ga niste izklopili in odstranili akumulatorja. Kadar je izdelek vklopljen, mora biti vedno pod vašim nadzorom.
- Orodje za rezanje se po izklopu izdelka ne zaustavi takoj.
- Pred začetkom uporabe in po kakršnem koli trku preglejte izdelek in poiščite morebitne poškodbe ter jih po potrebi popravite.

- Če se med uporabo izdelka karkoli zatakne v rezalni priključek, prenehajte delo in izdelek izklopite. Rezalni priključek se mora popolnoma zaustaviti. Pred čiščenjem, pregledom ali popravilom izdelka in/ali rezalne opreme odstranite akumulator.
- Pred uporabo preverite izdelek. Glejte *Varnostne naprave na izdelku na strani 387* in *Vzdrževanje na strani 391*. Ne uporabljajte poškodovanega izdelka. Izvajajte varnostne preglede in vzdrževalna dela ter upoštevajte servisna navodila, opisana v tem priročniku.
- Poškodovan rezalni priključek lahko pomeni večjo nevarnost nesreč pri delu.
- Preverite, ali je oprema umazana ali razpokana. Z opremo s krtačko odstranite travo in listje. Po potrebi uporabljajte rokavice.
- Prezračevalne odprtine morajo biti obvezno proste.
- Prepričajte se, da je kosilna glava pravilno nameščena na obrezovalnik.
- Pred začetkom morajo biti nameščeni vsi pokrovi, varovala in ročice.
- Preverite, ali je izdelek v brezhibnem delovnem položaju. Preverite ali so vsi vijaki in maticе zatesnjeni.
- Preverite, ali sta kosilna glava in ščitnik obrezovalnika nepoškodovana in brez razpok. Zamenjajte kosilno glavo in ščitnik trimerja, če sta bila izpostavljena udarcem ali imata razpoke. Vedno uporabljajte ščitnik, priporočen za rezalni priključek, ki ga uporabljate. Glejte *Tehnični podatki na strani 393*.
- Izdelek je nevarno orodje, če niste previdni ali če ga ne uporabljate pravilno. Ta izdelek lahko povzroči hude poškodbe oziroma smrt upravljavca ali drugih.
- Ta stroj ni namenjen uporabi s strani oseb (vključno z otroci) z omejenimi telesnimi, zaznavalnimi ali duševnimi sposobnostmi ali osebe z nezadostnimi izkušnjami in znanjem, razen če jih pri uporabi nadzoruje ali jim o uporabi svetuje oseba, ki je odgovorna za njihovo varnost. Otroci morajo biti pod nadzorom, da se s strojem ne igrajo.
- Nikoli ne dovolite otrokom, da uporabljajo napravo ali da so v njeni bližini. Ker je zagon stroja zelo preprost, ga lahko zaženejo tudi otroci, če jih ne nadzorujete. To lahko pomeni tveganje resne osebne poškodbe. Zaradi tega odstranite akumulator, ko naprave ne morete natančno nadzorovati.
- Izdelka in/ali akumulatorja ne smejo uporabljati, vzdrževali ali popravljati otroci ali druge osebe, ki za to niso usposobljene.
- Napravo shranite v prostoru, ki ga lahko zaklenete, da ni v dosegu otrok in nepooblaščenih oseb.
- Pri skladiščenju in transportu je treba vedno uporabiti pokrov za transport.
- Z rokami ali stopali ne posegajte v območja rezanja, še posebej med vklopom motorja.
- Z rokami in nogami ne segajte v območje rezalnega priključka, dokler se popolnoma ne zaustavi in je izdelek izklopljen.
- Ne odstranjujte odrezanega materiala in ne dovolite drugim, da bi ga odstranjevali, kadar je izdelek vklopljen ali se rezalna oprema vrt. Takšno ravnanje lahko povzroči resne poškodbe.
- Ne pozabite, da ste kot uporabnik odgovorni za morebitno izpostavitve ljudi ali njihove lastnine nesrečam ali nevarnosti.
- Nikoli ne smete spreminjati prvotne izvedbe izdelka brez predhodnega dovoljenja proizvajalca. Uporabljajte samo originalno dodatno opremo. Spremembe brez pooblastila in/ali neoriginalni deli lahko povzročijo resne poškodbe ali smrt uporabnika in drugih. Garancija morda ne krije škode ali odgovornosti, ki je nastala zaradi uporabe neodobrenih dodatkov ali nadomestnih delov.
- Edini priključki, ki jih lahko uporabljate s tem izdelkom, so rezalni priključki, ki jih priporočamo v poglavju z Dodatno opremo. Glejte *Dodatki na strani 394*.
- Nikoli ne uporabljajte izdelka, katerega prvotne specifikacije so bile na kakršen koli način spremenjene.
- Ne uporabljajte pokvarjenega izdelka. Sledite navodilom za varnostni pregled, vzdrževanje in servis v skladu z napotki v teh navodilih. Nekatere vrste vzdrževalnih del in popravil lahko opravi samo za to usposobljeno strokovno osebje. Glejte navodila v poglavju Vzdrževanje.
- Delo v slabem vremenu izčrpa in pogosto prispeva k dodatnim tveganjem. Zaradi povečanega tveganja uporaba stroja v zelo slabem vremenu ni priporočljiva, na primer v gosti megli, nalivih, močnem vetru, hudem mrazu ali ob nevarnosti udara strele itd.
- Orodje ne uporabljajte z lestve, stola ali drugega dvignjenega položaja, ki ni povsem varen.
- Naprave, ki jih ne uporabljate, shranjujte v zaprtih prostorih – kadar naprave ne uporabljate, jo shranite v notranjem prostoru.
- Vseh možnih situacij ni mogoče predvideti. Pri delu s strojem bodite vedno previdni in prisebni. Izogibajte se situacijam, ki se vam zdijo prezahtevne. Če po branju teh navodil še vedno niste prepričani o delovnih postopkih, se pred nadaljevanjem posvetujte s strokovnjakom.
- V premeru 15 metrov (50 čevljev) od delovnega mesta se ljudje ali živali ne smejo zadrževati. Če sočasno v območju dela več uporabnikov, mora biti varnostna razdalja med njimi vsaj 15 metrov (50 čevljev). To lahko pomeni nevarnost resne telesne poškodbe. V primeru približevanja oseb nemudoma izklopite izdelek. Z izdelkom nikoli ne zamahnite, ne da bi pred tem preverili prostor za sabo in se tako prepričali, da v varnostnem območju ni nikogar.
- Zagotovite, da osebe, živali ali drugi predmeti ne morejo vplivati na nadzor nad izdelkom in ne morejo priti v stik z rezalnim priključkom ali predmeti, ki

jih rezalni priključek meče naokrog. Vendar izdelka ne uporabljajte, če v primeru nesreče ne morete priklicati pomoči.

- Priprčajte se, da se lahko varno gibljete in stojite. Če se morate nepričakovano premakniti, preverite okolico za morebitne ovire (korenine, kamenje, veje, jarke, itd.). Pri delu na nagnjenih tleh bodite še posebej previdni.
- Hodite, nikoli ne tecite.
- Preglejte delovno območje. Odstranite vse trde dele, na primer kamenje, razbito steklo, žeblje, jeklene žice, vrvi ipd., ki bi jih rezilo lahko izvrglo ali pa se lahko navijejo okrog rezila ali ščitnika.
- Pazite na kose in veje, ki jih izdelek lahko izvrže med rezanjem. Ne režite preblizu tlam, od koder bi se lahko izvrgli kamni in drugi predmeti.
- Kadar je izdelek vklopljen, oblačila ali deli telesa ne smejo priti v stik z rezalnim priključkom. Izdelek držite pod višino pasu.
- Pozor pred izmetom predmetov. Uporabljajte vedno odobrena zaščitna očala. Nikoli se ne nagibajte čez ščitnik rezalnega priključka. Kamenje, odpadki ipd. se lahko odbijejo v oči, to pa lahko povzroči slepoto ali resne poškodbe.
- Bodite vedno pozorni na svarilne znake in klice, ko nosite zaščito za sluh. Zaščito za sluh odstranite takoj, ko se izdelek izklopi.
- Če se pojavi neželeno tresenje, s kosilno glavo udarite po tleh in tako podaljšajte nitko, da se izdelek preneha tresti.
- Če začne izdelek nenadzorovano tresti, ga izklopite in odstranite akumulator.
- Pri osebah, ki imajo težave s krvnim obtokom, lahko pretirana izpostavljenost tresljam povzroči poškodbe ožilja ali živčevja. Če opazite simptome pretirane izpostavljenosti tresljam, se posvetujte z zdravnikom. Ti simptomi zajemajo otrplost, izgubo občutenja, ščemenje, zbadanje, bolečino, zmanjšano moč in spremembe barve ali stanja kože. Običajno se pojavijo v prstih, na rokah ali na zapestjih.
- Izdelek vedno primite z obema rokama. Izdelek držite ob svojem desnem boku.

Osebna zaščitna oprema



OPOZORILO: Pred uporabo izdelka preberite navodila v povezavi z opozorili v nadaljevanju.

- Pri uporabi izdelka vedno uporabljajte odobreno osebno zaščitno opremo. Osebna zaščitna oprema ne more popolnoma preprečiti poškodb, vendar v primeru nesreče omili posledice. Prodajalec naj vam pomaga izbrati ustrezno opremo.
- Uporabljajte zaščitno čelado, če obstaja nevarnost padajočih predmetov.
- Nosite homologirano zaščito za sluh, ki ustrezno zmanjšuje hrup. Dolgotrajna izpostavljenost hrupu lahko povzroči trajne okvare sluha.

- Uporabljajte odobreno zaščito oči. Tudi če uporabljate vizir, morate vedno uporabljati tudi homologirana zaščitna očala. Homologirana zaščitna očala morajo biti skladna s standardom ANSI Z87.1 za ZDA ali s standardom EN 166 za države EU.
- Za zaščito obraza uporabite vizir. Vizir ne zadostuje za zaščito oči.

(Sl. 9)

- Po potrebi uporabite rokavice, npr. kadar pritrjujete, pregledujete ali čistite rezalno opremo.
- Nosite trpežno obutev, ki ne drsi.
- Uporabljajte oblačila iz trpežnih materialov. Vedno uporabljajte trpežne dolge hlače in dolge rokave. Ne uporabljajte ohlapnih oblačil, ki se lahko zataknejo za vejice ali veje. Ne nosite nakita, kratkih hlač in sandalov in ne hodite bos. Lase si varno spnite nad rameni.

(Sl. 10)

- Paket prve pomoči hranite na doseg roke.

(Sl. 11)

Varnostne naprave na izdelku



OPOZORILO: Pred uporabo izdelka preberite navodila v povezavi z opozorili v nadaljevanju.

V tem poglavju so opisane varnostne funkcije izdelka, njihov namen ter kako je stroj treba pregledovati in vzdrževati, da bo deloval pravilno. Glejte navodila v poglavju *Uvod na strani 383* za mesta delov na izdelku.

Življenjska doba izdelka se lahko zaradi nepravilnega vzdrževanja oziroma zaradi nestrokovnih popravil ali servisiranja skrajša, poveča pa se tudi nevarnost nesreč. Če potrebujete več informacij, se obrnite na najbližjega pooblaščenega servisnega trgovca.



OPOZORILO: Nikoli ne uporabljajte izdelka s poškodovanimi varnostnimi deli. Varnostno opremo stroja je treba pregledovati in vzdrževati v skladu z navodili, ki so podana v tem poglavju. Če izdelek ob pregledu ne izpolnjuje vseh opisanih pogojev, se nemudoma obrnite na pooblaščenega serviserja za popravilo.



POZOR: Vsa servisna dela in popravila na stroju zahtevajo posebno usposabljanje. To še posebej velja za varnostno opremo stroja. Če pri spodaj opisanem pregledu ugotovite, da kateri koli del stroja ne deluje tako, kot je opisano spodaj, se nemudoma obrnite na pooblaščenega servisno delavnico. Pri nakupu vseh naših izdelkov vam jamčimo dostop do strokovnih popravil in servisa. Če stroja niste kupili v kateri od naših pooblaščenih servisnih prodajal,

vprašajte prodajalca, kje je najbližja pooblaščen servisna delavnica.

Varna uporaba akumulatorja



OPOZORILO: Pred uporabo izdelka preberite navodila v povezavi z opozorili v nadaljevanju.

Preverjanje uporabniškega vmesnika

1. Pritisnite in pridržite gumb za vklop/izklop (A). (Sl. 12)
 - a) Izdelek je vklopljen, ko je prikaz (B) osvetljen.
 - b) Izdelek je zaustavljen, ko prikaz neha svetiti.
2. Če zasveti ali utripa opozorilni indikator, glejte *Tipkovnica na strani 392*.

Preverjanje delovanja zaklepa vklopnega sprožilnika

Zaklep sprožilnika plina je zasnovan tako, da preprečuje neželeno delovanje. Ko pritisnete zaklep sprožilnika plina naprej (A) in ga nato pritisnete ob ročaj (B), je sprožilnik plina (C) sproščen. Ko sprostite ročaj, se sprožilnik plina in zaklep sprožilnika plina vrmeta v izhodiščni položaj. Njuno gibanje uravnavajo tri med seboj neodvisne vzmeti.

(Sl. 13)

1. Preverite, ali je sprožilnik plina zaklenjen, ko je zapora v izhodiščnem položaju. (Sl. 14)
2. Zaklep sprožilnika plina pritisnite naprej (A) in navzdol. Zaklep sprožilnika plina pritisnite ob ročaj (B) in se prepričajte, da se nato ob sprostitvi vrne v izhodiščni položaj. (Sl. 15)
3. Sprožilnik plina in zaklep sprožilnika plina se morata prosto premikati in povratni vzmeti morata delovati pravilno. (Sl. 16)
4. Za vklop izdelka pritisnite in pridržite gumb za vklop/izklop.
5. Sprožilnik pritisnite do konca in tako aktivirajte polni plin.
6. Sprostite sprožilnik plina in se prepričajte, da se rezalni priključek ustavi in obmiruje.

Varnostna navodila za nameščanje



OPOZORILO: Navodila za uporabo atestiranega priključka uporabljajte v kombinaciji z navodili za uporabo te električne naprave.

- Preden sestavite izdelek, iz njega odstranite baterijo.
- Uporabljajte odobrene zaščitne rokavice.
- Poškodovan ali napačen ščitnik lahko povzroči poškodbe. Ne uporabljajte rezalnega priključka, ki nima nameščenega odobrenega ščitnika.
- Pred zagonom izdelka se prepričajte, da ste pravilno namestili pokrov in gred.
- Če je priključku priložen oprtnik, ga pravilno namestite na izdelek. Oprtnik omogoča varno delo ter preprečuje poškodbe uporabnika in drugih oseb.



OPOZORILO: Pred uporabo izdelka preberite navodila v povezavi z opozorili v nadaljevanju.

Varna uporaba polnilnika akumulatorja

- Nevarnost električnega udara ali kratkega stika, če ne upoštevate varnostnih navodil.
- Če ne uporabljajte polnilnikov, ki niso bili priloženi izdelku. Za polnjenje akumulatorjev, ki jih odobri družba Husqvarna, uporabljajte samo polnilnike za akumulatorje Husqvarna. Za navodila glejte poglavje *Tehnični podatki na strani 393*.

- Polnilnika akumulatorja ne poskušajte razstaviti.
- Ne uporabljajte polnilnika, ki so poškodovani ali ne delujejo pravilno.
- Polnilnika akumulatorja ne dvigujte za napajalni kabel. Polnilnik akumulatorja odklopite iz stenske vtičnice tako, da povlečete vtič. Nikoli ne vlecite za napajalni kabel.
- Pazite, da kablji in kabelski podaljški ne pridejo v stik z vodo, oljem in ostrimi robovi. Kabel ne sme biti zataknen med stavbno pohištvo, na primer vrata ali za ograje, ali podobne predmete.
- Polnilnika akumulatorja ne uporabljajte v bližini gorljivih materialov ali materialov, ki povzročajo korozijo. Pazite, da polnilnik akumulatorja ni pokrit. V primeru dima ali požara izvlecite vtič polnilnika akumulatorja.
- Akumulator polnite le v zaprtih prostorih z dobrim prezračevanjem in zaščito pred neposrednim soncem. Akumulatorjev ne polnite na prostem. Akumulatorja ne polnite v stiku z vodo ali vlago.
- Polnilnik akumulatorja uporabljajte samo v okolju s temperaturami med 5 °C (41 °F) in 40 °C (104 °F). Polnilnik uporabljajte v dobro prezračenem, suhem in brezprašnem okolju.
- V hladilne reže polnilnika akumulatorja ne vstavljajte predmetov.
- Poli polnilnika akumulatorja se ne smejo dotikati kovinskih predmetov, ker lahko to povzroči kratki stik.
- Uporabljajte nepoškodovane in odobrene omrežne vtičnice. Prepričajte se, da kabel polnilnika

akumulatorja ni poškodovan. V primeru uporabe podaljškov se prepričajte, da ti niso poškodovani.

Varnostna navodila za vzdrževanje



OPOZORILO: Pred vzdrževanjem izdelka preberite naslednja opozorilna navodila.

- Pred vzdrževanjem, drugimi pregledi ali sestavljanjem izdelka odstranite baterijo.
- Uporabnik sme sam izvajati le tista vzdrževalna in servisna dela, ki so navedena v teh navodilih za uporabo. Za obsežnejša vzdrževalna in servisna dela se obrnite na servisnega zastopnika.
- Baterije ali polnilnika nikoli ne čistite z vodo. Močno čistilo lahko poškoduje plastiko.
- Če ne vzdržujete izdelka, skrajšate njegovo življenjsko dobo in povečate nevarnost nesreč.
- Za servisiranje in popravila izdelka, zlasti za varnostne naprave na izdelku, je potrebno posebno usposabljanje. Če po izvedenem vzdrževanju niso vsa preverjanja uspešno opravljena, se obrnite na servisnega zastopnika. Zagotavljamo vam, da so za vaš izdelek na voljo strokovna popravila in servisne storitve.
- Uporabljajte samo originalne nadomestne dele.
- Pri popravilu rezalnega priključka morate vedno nositi močne zaščitne rokavice. Rezila so zelo ostrá in se lahko hitro poškodujete.

Montaža

Namestitev okroglega ročaja

1. Okrogli ročaj namestite na gred med obema puščicama. Okroglega ročaja ali obročka za obešanje ne nameščajte na oznako. (Sl. 17)
2. V režo okroglega ročaja potisnite distančnik.
3. Namestite matico, gumbni in vijak, vendar ne zategnite.
4. Izdelek si prilagodite v najugodnejši delovni položaj.
5. Zategnite vijak.

Montaža dvodelne gredi

1. Obrnite gumbni vijak za sprostitev priključek gredi. (Sl. 18)
2. Jeziček (A) poravnajte s puščico (B) na spojki. (Sl. 19)
3. Gred potisnite v spojko, dokler se ta ne zaskoči na svoje mesto. (Sl. 20)

4. Popolnoma zategnite gumbni vijak. (Sl. 21)

Razstavljanje dvodelne gredi

1. Gumbni vijak obrnite za 3 obrate ali več in tako sprostite spojko. (Sl. 22)
2. Pritisnite in pridržite gumb (C).
3. Trdno držite konec gredi, na katero je pritrjen motor.
4. Priključek izvlecite iz spojke. (Sl. 23)

Namestitev obročka za obešanje

1. Obroček za obešanje namestite med puščici na zadnjem in okroglem ročaju. (Sl. 24)

Opomba: Okroglega ročaja ne namestite na nalepko.

2. Obroček prilagodite tako, da bo izdelek dobro uravnotežen in olajšuje uporabo izdelka.

Delovanje

Uvod



OPOZORILO: Preden začnete uporabljati izdelek, morate prebrati in razumeti poglavje o varnosti.

Husqvarna Connect

Husqvarna Connect je brezplačna aplikacija za vašo mobilno napravo. Aplikacija Husqvarna Connect omogoča razširitev funkcij vašega izdelka Husqvarna.

- Dodatne informacije o izdelku.
- Informacije o izdelku, delih in servisu ter pomoč.

Začetek uporabe aplikacije

1. V mobilno napravo si prenesite aplikacijo Husqvarna Connect.
2. Registrirajte se v aplikaciji Husqvarna Connect.
3. Za vzpostavitev povezave in registracijo izdelka sledite navodilom v aplikaciji Husqvarna Connect.

Opomba: Aplikacija Husqvarna Connect ni na voljo za prenos na vseh trgih. Če potrebujete več informacij, se obrnite na servisnega zastopnika.

Vstavitev baterije v izdelek



OPOZORILO: Za izdelek uporabljajte samo originalne baterije Husqvarna.

1. Baterija mora biti popolnoma napolnjena.
2. Potisnite baterijo v držalo baterije v izdelku. Baterija se zaskoči, ko slišite klik. (Sl. 25)



POZOR: Če baterije ni mogoče preprosto potisniti v držalo baterije, pomeni, da baterija ni pravilno nameščena. Izdelek se lahko tako poškoduje.

3. Baterija mora biti pravilno nameščena.

Polnjenje akumulatorja

Opomba: Akumulator pred prvo uporabo napolnite. Nov akumulator je napolnjen samo 30-odstotno.

1. Prepričajte se, da je akumulator suh.
2. Akumulator vstavite v polnilnik akumulatorja. (Sl. 26)

Opomba: Akumulator in polnilnik se lahko med različnimi modeli razlikujejo, vendar je postopek enak.

3. Na polnilniku akumulatorja mora zasvetiti zeleni indikator polnjenja. To pomeni, da je akumulator pravilno povezan s polnilnikom akumulatorja.
4. Ko svetijo vsi indikatorji LED na akumulatorju, je ta popolnoma napolnjen. (Sl. 27)
5. Odklopite polnilnik akumulatorja iz stenske vtičnice tako, da izvlečete vtič. Ne vlecite kabla.
6. Akumulator odstranite iz polnilnika.

Opomba: Če želite več informacij, glejte navodila za uporabo akumulatorja in polnilnika akumulatorja.

Delovni položaj

- Izdelek držite z 2 rokama.
- Izdelek držite ob svojem desnem boku.
- Rezalni priključek naj bo pod višino pasu.
- Izognite se stiku z vročimi površinami.
- Izognite se stiku z rezalnim priključkom.

Pred uporabo izdelka

- Preglejte delovno območje, da se prepričate, da ste seznanjeni z vrsto terena, naklonom tal in morebitnimi ovirami, kot so kamenje, veje in jarki.
- Opravite generalni pregled izdelka.
- Opravite varnostne preglede, vzdrževanje in servisiranje, ki so navedeni v tem priročniku.
- Prepričajte se, da so vsi pokrovi, ščitniki, ročaji in dodatna oprema pravilno nameščeni in da niso poškodovani.

Zagon izdelka

1. Pritisnite gumb za vklop/izklop in ga pridržite dokler zelena indikatorska lučka ne zasveti. (Sl. 28)
2. Hitrost nadzorujte s sprožilnikom.

Omejitev najvišje hitrosti z gumbom za izbiro načina

Izdelek ima gumb za izbiro načina. Z gumbom za izbiro načina lahko uporabnik omeji najvišjo hitrost. Gumb za izbiro načina omogoča tri stopnje hitrosti. Pri nižji hitrosti delo traja dlje. Gumb za izbiro načina omogoča tri stopnje hitrosti. Pri nižji hitrosti delo traja dlje. 1. in 2. stopnjo uporabite, kadar za delo ne potrebujete najvišjega števila vrtljajev/polne moči. Če zaradi delovnih pogojev potrebujete najvišje število vrtljajev, uporabite 3. stopnjo. Pri delu ne uporabljajte višje stopnje, kot je potrebno.

1. Pritisnite gumb za izbiro načina, da nastavite najvišjo hitrost. Zelena lučka LED pomeni, da je funkcija vklopljena. (Sl. 29)
2. Za naslednjo hitrostno stopnjo znova pritisnite gumb za izbiro načina.

Zaustavitev izdelka

1. Sprostite sprožilec plina ali zaklep sprožilca plina.
2. Pritisnite gumb za vklop/izklop. (Sl. 30)
3. Pritisnite gumba za sprostitvev na akumulatorju in akumulator izvlcite. (Sl. 31)

Funkcija samodejnega izklopa

Izdelek ima funkcijo samodejnega izklopa, ki izdelek zaustavi po 3 minutah neuporabe.

Vzdrževanje

Uvod



OPOZORILO: Pred izvajanjem vzdrževalnih del morate prebrati in razumeti poglavje o varnosti.

V nadaljevanju je naveden seznam vzdrževalnih korakov, ki jih je treba opraviti pri izdelku. Poleg vzdrževalnih del, navedenih v načrtu vzdrževanja, mora izdelek redno servisirati servisni zastopnik Husqvarna. Za podatke o servisnih intervalih se obrnite na servisnega zastopnika Husqvarna.

Urnik vzdrževanja



OPOZORILO: Pred vzdrževanjem odstranite akumulator.

Vzdrževanje	Dnevno	Teden- sko	Mesečno
Zunanje dele izdelka očistite s suho krpo. Ne uporabljajte vode.	X		
Gumb za vklop/izklop mora delovati pravilno in ne sme biti poškodovan.	X		
Z varnostnega vidika se prepričajte, da sprožilec plina in zaklep sprožilca plina delujeta pravilno.	X		
Preverite, da upravljalni elementi delujejo in niso poškodovani.	X		
Ročaj mora biti čist, suh in brez olja ali masti.	X		
Prepričajte se, da so vijaki in matice dobro priviti.	X		
Prepričajte se, da gumba za sprostitvev na akumulatorju delujeta in omogočata pravi len zaklep akumulatorja v izdelku.	X		
Akumulator ne sme biti poškodovan.	X		
Akumulator mora biti napolnjen.	X		
Prepričajte se, da polnilnik akumulatorja ni poškodovan in pravilno deluje.	X		
Preverite vse kable, spoje in povezave. Prepričajte se, da niso poškodovani ali umazani.		X	
Preverite priključke med akumulatorjem in izdelkom. Preverite priključek med akumulatorjem in polnilnikom akumulatorja.			X

Čiščenje izdelka, baterije in polnilnika baterije

1. Izdelek po uporabi očistite s suho krpo.

2. Baterijo in polnilnik baterije očistite s suho krpo. Vodila baterije morajo biti vedno čista.
3. Poli na bateriji in polnilniku baterije morajo biti čisti, ko vstavite baterijo v polnilnik ali izdelek.

Dvodelna gred

Nanesite mast na končni del pogonske gredi na vsakih 30 delovnih ur. Obstaja namreč nevarnost, da se konci

pogonske osi (zvezni deli) na strojih z deljivim držajem spojijo in jih ni mogoče več razstaviti, če jih ne mastite redno.
(Sl. 32)

Odpravljanje težav

Tipkovnica

Indikatorji LED	Možne napake	Možen ukrep
Zelena dioda LED za vklop utripa.	Nizka napetost baterije.	Napolnite baterijo.
Utripa rdeči indikator LED za napako	Preobremenitev.	Rezalni priključek je blokiran. Izklopite izdelek. Odstranite akumulator. Z rezalnega priključka odstranite neželeni material.
	Odstopanje temperature.	Počakajte, da se izdelek ohladi.
	Hkrati sta pritisnjena sprožilec plina in gumb za vklop.	Sprostite sprožilec plina in izdelek bo spet aktiven.
Izdelka ni mogoče zagnati	Umazanija v priključkih baterije.	Priključke baterije očistite s komprimiranim zrakom ali mehko krtačko.
Dioda LED za napako sveti rdeče	Izdelek je treba servisirati.	Obrnite se na servisnega zastopnika.

Transport skladiščenje in odstranitev

Prevoz in skladiščenje

- Priložene litij-ionske baterije so skladne z zahtevami zakonodaje o nevarnem blagu.
- Pri transportu, tudi če ga izvaja tretja oseba ali posrednik, je treba upoštevati posebna navodila na embalaži in nalepkah.
- Pred pošiljanjem izdelka se posvetujte z osebo, ki je posebej usposobljena za nevarne snovi. Upoštevajte vse veljavne nacionalne predpise.
- Ob vstavljanju baterije v paket prelepite izpostavljene kontakte. Baterijo vstavite v paket tako, da se ne more premikati.
- Pri skladiščenju ali prevozu vedno odstranite baterijo.
- Baterijo in polnilnik baterije hranite v suhem prostoru, kjer ni vlage in zmrzali.
- Baterije ne shranjujte v prostoru, v katerem je lahko prisotna statična elektrika. Baterije ne shranjujte v kovinski škatli.
- Baterijo shranite v prostor s temperaturami med 5 in 25 °C (41–77°F), v katerem ne sme biti izpostavljena neposredni sončni svetlobi.
- Polnilnik baterije shranite v prostor s temperaturami med 5 in 45 °C (41–113 °F) tako, da ne bo izpostavljen neposredni sončni svetlobi.

- Polnilnik baterije uporabljajte samo v okolju s temperaturami od 5 do 40 °C (41–104 °F).
- Pred dolgotrajnejšim skladiščenjem mora biti baterija napolnjena med 30 % in 50 %.
- Polnilnik baterije shranite v zaprt in suh prostor.
- Med shranjevanjem baterija ne sme biti v bližini polnilnika. Otroci in druge nepooblaščen osebe se ne smejo dotikati opreme. Oprema mora biti shranjena v prostoru, ki ga je mogoče zakleniti.
- Pred dolgotrajnejšim skladiščenjem izdelek očistite in opravite popoln servis.
- Pred prevozom in skladiščenjem na izdelek namestite transportno zaščito, da preprečite telesne poškodbe ali škodo na izdelku.
- Med prevozom varno pritrдите izdelek.

Odstranitev baterije, polnilnika baterije in izdelka

Simboli na izdelku ali njegovi embalaži opozarjajo, da izdelka ne smete obravnavati kot gospodinjanskega odpadka. Treba ga je reciklirati v zbirnem centru za reciklažo električne in elektronske opreme. Tako se pomaga preprečiti škodovanje okolju in ogrožanje zdravja ljudi.

Za več informacij o recikliranju svojega izdelka se obrnite na lokalne oblasti, službo za gospodinjske odpadke ali prodajalca.

Tehnični podatki

Tehnični podatki

	325iLK
Motor	
Tip motorja	BLDC (brezkrtačni enosmerni) 36 V
Hitrost pogonske gredi, 1/min	8400
Teža	
Teža (samo električna naprava), kg	2,9
Emisije hrupa ^{217, 218}	
Raven zvočne moči, izmerjena v dB (A)	89–103
Raven zvočne moči, zajamčena L _{WA} dB (A)	90–106
Ravni hrupa ^{219, 220}	
Ekvivalentna raven zvočnega tlaka na uporabnikovem ušesu, merjena po EN 62841-1, dB (A):	78–93
Ravni vibracij ^{221, 222}	
Ravni vibracij pri ročajih, izmerjene v skladu s standardom EN 62841-1, m/s ²	1,3–5,5/1,1–3,1

Homologirane baterije

Akumulatorska baterija	BLi200	40-B220X
Vrsta	Litij-ionska	Litij-ionska
Zmogljivost akumulatorja v Ah	5,2	6,0
Nazivna napetost, V	36	36

²¹⁷ Emisije hrupa v okolje, merjene kot moč zvoka (LWA), v skladu z direktivo ES 2000/14/ES. Navedena raven zvočne moči naprave je bila izmerjena z originalnim rezalnim priključkom, ki dosega najvišjo raven. Razlika med zajamčeno in izmerjeno ravno zvočne moči je, da zajamčena raven zvočne moči v skladu z Direktivo 2000/14/ES vključuje tudi razpršitev rezultata meritve in razlike med različnimi napravami istega modela.

²¹⁸ Območje hrupa navaja najnižjo in najvišjo izmerjeno vrednost.

²¹⁹ Podatki za raven zvočnega tlaka za napravo imajo tipično statistično razpršitev (standardni odklon) v vrednosti 3 dB (A) in so bili izmerjeni z originalnim nastavkom, ki dosega najvišjo raven hrupa.

²²⁰ Območje hrupa navaja najnižjo in najvišjo izmerjeno vrednost.

²²¹ Zabeleženi podatki za raven vibracij imajo tipično statistično razpršitev (standardni odklon) 2 m/s². Za primerjavo ravni tresljajev pri akumulatorskih izdelkih in izdelkih na različna goriva, uporabite računalnik za izračun tresljajev. <https://www.husqvarna.com/uk/services-solutions/vibration-calculator/>.

²²² Območje hrupa navaja najnižjo in najvišjo izmerjeno vrednost.

Akumulatorska baterija	BLi200	40-B220X
Teža, kg (lb)	1,3 (2,9)	1,4 (3,1)

Odobreni polnilniki za akumulatorje

Polnilnik akumulatorja	QC330	40-C500X
Vhodna napetost, V	100–240	100–240
Frekvenca, Hz	50–60	50–60
Moč, W	330	500

Dodatki

Priključki

Homologirani priključki	Številka priključka ²²³	Skupina priključkov ²²⁴	Za model
Priključek motorne kose BCA850	1	1–10	325iLK
Pihalnik BA101	11	11–20	325iLK
Robilnik ECA850	21	21–30	325iLK
Robilnik ESA850	22	21–30	325iLK
Obrezovalnik žive meje HA860	32	31–40	325iLK
Višinski obrezovalnik PAX730	41	41–50	325iLK
Višinski obrezovalnik PAX1100	42	41–50	325iLK
Žaga PA1100	43	41–50	325iLK
Priključek za pometanje SR600-2	51	51–60	325iLK
Krtača BR600	52	51–60	325iLK
Prezračevalnik DT600	53	51–60	325iLK
Kultivator CA230	54	51–60	325iLK
Nihalni priključek RA850	2	1–10	525iLK

²²³ To je točna številka odobrenega priključka znotraj skupine priključkov.

²²⁴ Odobreni priključki se delijo na dve skupini. Vsaka skupina priključkov ima podobne funkcije in opozorila.

Izjava o skladnosti

Izjava EU o skladnosti

Mi, **Husqvarna AB**, SE--561 82 Huskvarna, Švedska,
tel.: +46-36-146500, izjavljamo na lastno odgovornost,
da je izdelek:

Opis	Akumulatorska enota (obrezovalnik trave)
Znamka	Husqvarna
Vrsta/model	325iLK (gola enota)
Identifikacija	Serijske številke od letnika 2024 dalje

v celoti skladen z naslednjimi direktivami in uredbami
EU:

Direktiva/uredba	Opis
2006/42/ES	"o strojih"
2014/30/EMC	o elektromagnetni združljivosti
2011/65/EU	"o omejitvi uporabe določenih nevarnih snovi"
2000/14/ES	o zunanjem hrupu

in so pri tem v veljavi naslednji
standardi in/ali tehnične specifikacije: EN ISO
12100:2010, EN 62841-1:2015+AC:2015+A11:2022, EN
62841-4-2:2019+A11:2022+A1:2022, IEC 62841-4-4:
2020+A1:2024, IEC 62841-4-6:2022, ISO 11449:1994,
EN ISO 11680-1:2021, EN 61000-6-3:2007+A1:2011,
EN 61000-6-1:2016, EN IEC 63000:2018.



SMP Svensk Maskinprovning AB., Box 4053, SE-904 03
Umeå, Sweden, je izvedla prostovoljni tipski pregled v
skladu s Prilogo IX Direktive 2006/42/ES. Št. potrdila:
SEC/24/2593.

Priglašeni organ: Družba SMP Svensk Maskinprovning
AB, je tudi preverila skladnost z Prilogo V Direktive
sveta 2000/14/ES. Št. potrdila: 01/1610/013.

Za informacije o emisijah hrupa glejte poglavje *Tehnični
podatki na strani 393*.

Huskvarna, 2024-02-01

Mr. Stefan Holmberg, direktor oddelka za raziskave in
razvoj, tehnološko upravljanje, Husqvarna AB, Sweden
Odgovorni za tehnično dokumentacijo

Sadržaj

Uvod.....	396	Rješavanje problema.....	405
Sigurnost.....	397	Transport, skladištenje i odbacivanje.....	405
Sastavljanje.....	402	Tehnički podaci.....	406
Rukovanje.....	402	Dodatna oprema.....	407
Održavanje.....	404	Izjava o usaglašenosti.....	408

Uvod

Namjena

Ova napojna jedinica je osnovna jedinica koja funkcionira samo skupa s odobrenim priborom; odobreni

pribor pregledajte u odjeljku *Dodatna oprema na strani 407*. Obavezno pročitajte ovaj priručnik skupa s uputama za odobreni pribor.

Pregled proizvoda

(Sl. 1)

1. Priručnik za rad
2. Inbus 4 mm
3. Okrugla ručka
4. Dugme
5. Dugme za uključivanje/isključivanje
6. Dugme načina za brzinu
7. Blokada regulatora gasa
8. Korisničko sučelje
9. Prekidač za podešavanje snage
10. Punjač baterije (dodatna oprema)
11. Indikator punjenja i greške na punjaču
12. Dugmad za otpuštanje baterije
13. Baterija (dodatna oprema)
14. LED indikator stanja punjenja
15. LED za upozorenje
16. Dugme indikatora baterije
17. Spojnica za dodatak

(Sl. 5) Istosmjerna struja.

(Sl. 6) Proizvod je usklađen s važećim direktivama EZ.

(Sl. 7) Oznake na proizvodu i ambalaži znače da se proizvod ne smije odlagati zajedno s komunalnim otpadom. Ovaj proizvod je potrebno deponirati u odgovarajući pogon za reciklažu.

(Sl. 8) Proizvod ima zaštitu od prskanja vode.

yyyywwxxx

Na pločici s oznakom kategorije je prikazan serijski broj. **yyyy** označava godinu proizvodnje, **ww** označava sedmicu proizvodnje, a **xxx** je redni broj.

Napomena: Baterija i punjač baterije mogu izgledati drugačije u zavisnosti od modela.

Napomena: Drugi simboli/naljepnice na proizvodu odnose se na zahtjeve certifikacije za druga komercijalna područja.

Simboli na proizvodu

(Sl. 2) **UPOZORENJE!** Ovaj proizvod može biti opasan! Nepažljiva ili neispravna upotreba za posljedicu može imati ozbiljne ili fatalne ozljede operatera ili drugih lica. Veoma je važno pročitati i usvojiti sadržaje ovog korisničkog priručnika. Prije korištenja proizvoda pažljivo i s razumijevanjem pročitajte upute u priručniku za rukovoaoce.

(Sl. 3) Odspojite bateriju prije održavanja.

(Sl. 4) Nominalni napon, V

Proizvođač

Husqvarna AB

Drottningatan 2, SE-561 82 Huskvarna, Sweden, tel: +46-36-146500

Oštećenje proizvoda

Nismo odgovorni za oštećenje proizvoda ako:

- je proizvod pogrešno popravljen.
- je proizvod popravljen koristeći dijelove koji nisu od proizvođača ili koji nisu odobreni od strane proizvođača.
- proizvod ima dodatnu opremu koju nije napravio proizvođač ili koju proizvođač ne odobrava.

- proizvod nije popravljen u nekom od odobrenih servisa ili od strane odobrenog tijela.

Nosač

Za podršku u vezi s proizvodom, idite na odjeljak Podrška na da pristupite uputstvima, vodičima za

rješavanje problema ili koristite samouslugu kompanije Husqvarna i asistenta za proizvod (ako je dostupan na vašem tržištu). Za podršku u vezi s proizvodom, obratite se ovlaštenom serviseru kompanije Husqvarna.

Sigurnost

Definicije sigurnosti

Upozorenja, pozivi na oprez i napomene se koriste za isticanje naročito važnih dijelova priručnika.



UPOZORENJE: Koriste se ukoliko postoji opasnost od povrede ili smrti rukovoaca ili osoba u blizini ako se uputstva iz priručnika ne poštuju.



OPREZ: Koriste se ukoliko postoji opasnost od oštećenja proizvoda, drugih materijala ili neposrednog okruženja ako se uputstva iz priručnika ne poštuju.

Napomena: Koriste se za pružanje više informacija koje su neophodne u datoj situaciji.

Opća upozorenja o električnim alatima



UPOZORENJE: Obavezno pročitajte priručnik za odobreni pribor skupa s priručnikom za ovu napojnu jedinicu.



UPOZORENJE: Pročitajte sva sigurnosna upozorenja, uputstva, ilustracije i specifikacije isporučene s ovim električnim alatom. Nepoštivanje svih dolje navedenih uputstava može dovesti do strujnog udara, požara i/ili teških povreda.

Napomena: Sačuvajte sva upozorenja i upute za buduću referencu. Pojam "električni alat" u upozorenjima odnosi se na električne alate koji kao pogon koriste električnu energiju iz utičnice (s kablom) ili električni alat koji za pogon koristi bateriju (bez kabla).

Sigurnost područja rada

- **Održavajte područje rada čistim i dobro osvijetljenim.** Neuredna ili tamna područja pogoduju nesrećama.
- **Nemojte raditi s mašinama u eksplozivnim atmosferama, kao što je u prisutnosti zapaljivih tekućina, gasova ili prašine.** Mašine stvaraju iskre koje mogu zapaliti prašinu ili pare.

- **Neka djeca i osobe koje stoje u blizini budu na odstojanju dok koristite mašinu.** Ometanja mogu uzrokovati gubitak kontrole.

Sigurnost od struje

- **Utičkači mašine moraju odgovarati utičnicama. Nemojte nikad i ni na koji način vršiti izmjene na utikaču. Nemojte koristiti adapterske priključke s uzemljenim mašinama.** Originalni utikači i odgovarajuće utičnice smanjuju opasnost od strujnog udara.
- **Izbjegavajte fizički kontakt s uzemljenim površinama, kao što su cijevi, radijatori, lanci i frižideri.** Postoji povećana opasnost od strujnog udara ako se vaše tijelo uzemliji.
- **Nemojte izlagati mašine kiši ili vlazi.** Ako voda dospje u mašinu, povećava se opasnost od strujnog udara.
- **Nemojte nepropisno koristiti kabl. Nemojte nikad koristiti kabl za nošenje, povlačenje ili isključivanje mašine. Držite kabl dalje od izvora toplote, ulja, oštih ivica ili pokretnih dijelova.** Oštećeni ili zapetijani kablovi povećavaju opasnost od strujnog udara.
- **Kad mašinu koristite na otvorenom, koristite produžni kabl koji je pogodan za vanjsku upotrebu.** Korištenjem kabla koji je pogodan za vanjsku upotrebu smanjujete opasnost od strujnog udara.
- **Ako nije moguće izbjeći rad s mašinom u vlažnom okruženju, koristite napajanje koje je zaštićeno uzemljenim zaštitnim uređajem diferencijalne struje (RCD).** Korištenje RCD uređaja smanjuje rizik od strujnog udara.

Lična sigurnost

- **Budite na oprezu, pazite šta radite i razumno rasuđujte kada rukujete mašinom. Nemojte koristiti mašinu kada ste umorni ili pod uticajem droga, alkohola ili lijekova.** Trenutak nepažnje prilikom rukovanja mašinama može za posljedicu imati teške fizičke povrede.
- **Koristite opremu za ličnu zaštitu. Uvijek nosite zaštitu za oči.** Zaštitna oprema kao što je maska za prašinu, sigurnosne protuklizne cipele, šljem ili zaštitna sluha koji se koriste u odgovarajućim uslovima će umanjiti lične povrede.
- **Spriječite nehotično pokretanje mašine. Prije priključivanja mašine na struju i/ili baterije, podizanja ili prenošenja, sklopka mora biti u položaju OFF (isključeno).** Držanje prsta na prekidaču prilikom

nošenja mašina ili napajanje mašina na kojim je prekidač uključen priziva nesreće.

- **Prije uključivanja mašine, uklonite ključ ili nasadni ključ.** Nasadni ključ ili ključ koji ostanu na rotirajućem dijelu mašine mogu uzrokovati fizičke povrede.
- **Ne posežite predaleko. U svakom trenutku pazite na položaj nogu i održavajte ravnotežu.** Tako se omogućava bolja kontrola mašine u neočekivanim situacijama.
- **Obucite se na prikladan način. Nemojte nositi labavu odjeću ili nakit.** Sklonite kosu i odjeću od pokretnih dijelova. Pokretni dijelovi mogu zahvatiti široku odjeću, nakit ili dugu kosu.
- **Ukoliko se uz uređaje pruža spoj i prostor za izvlačenje i prikupljanje prašine, vodite računa da oni budu pripojeni i da se koriste.** Prikupljanjem prašine mogu se smanjiti opasnosti povezane s prašinom.
- **Ne dozvolite da zbog znanja koje ste stekli čestim korištenjem mašine postanete samodopadni i da zanemarite sigurnosne principe mašine.** Nemaran rad može izazvati teške povrede u djeliću sekunde.

Korištenje i održavanje mašine

- **Nemojte preopterećivati mašinu. Koristite odgovarajući mašinu predviđenu za datu primjenu.** Odgovarajuća mašina će bolje i sigurnije obaviti posao pri brzini za koju je projektirana.
- **Nemojte koristiti mašinu ako je prekidač ne uključuje i ne isključuje.** Mašina koju nije moguće kontrolirati prekidačem je opasna i mora se popraviti.
- **Prije bilo kakvog podešavanja, promjene pribora ili skladištenja mašina, isključite utičak iz izvora struje i/ili uklonite komplet baterije iz mašine, ako je odvojiv.** Takve preventivne sigurnosne mjere smanjuju opasnost od slučajnog pokretanja mašine.
- **Pohranite nekoristene mašine van domašaja djece i nemojte dozvoliti da njima rukuju osobe koje nisu upoznate s tom mašinom ili ovim uputstvima za rukovanje.** Mašine su opasne u rukama neobučениh korisnika.
- **Održavajte mašine i dodatnu opremu.** Provjerite ima li odstupanja od poravnjanja ili povezivanja pokretnih dijelova, lomova na dijelovima ili bilo kojih drugih stanja koja negativno utiču na rad mašine. **Ako je mašina oštećena, odnesite na popravak prije korištenja.** Mnoge nesreće su uzrokovane slabo održavanim mašinama.
- **Održavajte rezne alate naoštrenim i čistim.** Pravilno održavane rezne mašine s oštrim reznim ivicama se manje povijaju i lakši su za upravljanje.
- **Koristite mašine, dodatnu opremu i dijelove itd. u skladu s ovim uputstvima, vodeći računa o radnim uvloima i poslu koji treba izvršiti.** Korištenje mašina za poslove koji nisu predviđeni može uzrokovati opasnu situaciju.
- **Ručke i površine za zahvaćanje treba da su suhe, čiste i bez ulja i masti.** Klizave ručke i površine za hvatanje onemogućavaju sigurno rukovanje i kontrolu nad mašinom u neočekivanim situacijama.

Korištenje baterijske mašine i njega

- **Punite samo pomoću punjača kojeg je odredio proizvođač.** Punjač koji je pogodan za jedan tip kompleta baterije može uzrokovati opasnost od požara ako se koristi s drugim kompletom baterije.
- **Koristite mašine samo s predviđenim kompletom baterija.** Korištenjem bilo kojeg drugog kompleta baterija može se uzrokovati opasnost od povreda i požara.
- **Kada se komplet baterije ne koristi, držite ga dalje od drugih metalnih predmeta kao što su spajalice, kovanice, ključevi, ekseri, vijci i drugi mali metalni predmeti koji mogu izazvati spoj između priključaka.** Kratak spoj priključaka kompleta baterije može izazvati opekotine ili požar.
- **Pod neodgovarajućim okolnostima, iz baterije može isticati tečnost. Izbjegavajte kontakt s njom.** Ukoliko dođe do slučajnog kontakta, isperite vodom. Ako tečnost dopre do očiju, potražite ljekarsku pomoć. Tekućina koja štrcne iz baterije može izazvati iritacije ili opekotine.
- **Nemojte koristiti komplet baterije ili mašinu koja je oštećena ili izmijenjena.** Oštećene ili izmijenjene baterije mogu se ponašati nepredvidljivo i dovesti do požara, eksplozija ili ozljeda.
- **Komplet baterija ili mašinu ne izlažite vatri ni previsokim temperaturama.** Izlaganje vatri ili temperaturama iznad 130 °C (265 °F) može dovesti do eksplozije.
- **Slijedite sva uputstva za punjenje i nemojte puniti komplet baterije ili mašinu izvan temperaturnog raspona navedenog u uputstvima.** Nepravilno punjenje ili pri temperaturama izvan navedenog raspona može oštetiti bateriju i povećati opasnost od požara.

Servis

- **Neka vam mašinu servisira kvalificirana osoba koristeći isključivo identične zamjenske dijelove.** Tako ćete biti sigurni da se mašina održava.
- **Nikada ne servisirajte oštećene električne alate.** Servisiranje električnih alata trebaju obavljati samo proizvođač ili ovlašteni serviseri.

Druge opće sigurnosne informacije

- **Isključite proizvod prije prelaska na drugo područje.** Obavezno uklonite bateriju uvijek kad proizvod predajete drugoj osobi.
- **Nikad nemojte spuštati proizvod ako ga niste isključili i uklonili bateriju.** Uključeni proizvod nemojte ostavljati bez nadzora.
- **Rezni alat ne zaustavlja se odmah nakon isključivanja proizvoda.**
- **Prije upotrebe proizvoda i nakon svakog udara provjerite ima li znakova istrošenosti ili oštećenja te ih po potrebi popravite.**
- **Ako se dodatak za rezanje zaglavi tokom rada, zaustavite i isključite proizvod.** Provjerite je li dodatak za rezanje potpuno zaustavljen. Prije

- čišćenja, pregleda ili popravka proizvoda i/ili rezne opreme uklonite bateriju.
- Provjerite proizvod prije korištenja. Pogledajte *Sigurnosni mehanizmi na proizvodu na strani 400 i Održavanje na strani 404*. Nemojte koristiti oštećen proizvod. Izvršavajte sigurnosne provjere, postupak održavanja i servisne upute opisane u ovom priručniku.
 - Neispravan dodatak za rezanje povećava opasnost od nezgoda.
 - Provjerite ima li na opremi onečišćenja i pukotina. Travu i lišće s opreme očistite četkom. Nosite rukavice po potrebi.
 - U otvorima za ventilaciju ne smije biti krotina.
 - Trimi glava mora biti u potpunosti pričvršćena na trimmer.
 - Svi poklopci, štitnici i ručke moraju biti namješteni prije pokretanja.
 - Provjerite da li je proizvod u savršenom radnom stanju. Provjerite jesu li matice i vijci pritegnuti.
 - Provjerite da trimi glava i njen štitnik nisu oštećeni ili napukli. Trimi glavu ili štitnik trimera zamijenite ako su bili izloženi udarcu ili ako su napukli. Uvijek koristite preporučeni štitnik za dodatke za rezanje koji koristite. Pogledajte *Tehnički podaci na strani 406*.
 - Ovaj proizvod je opasan alat ako niste pažljivi ili ako ga koristiti neispravno. Ovaj uređaj može izazvati teške povrede ili smrt operatora i drugih osoba.
 - Ovaj uređaj nije namijenjen za upotrebu od strane osoba (uključujući djecu) sa smanjenim fizičkim, osjetnim ili mentalnim sposobnostima ili neiskusnih osoba, osim ako im osoba odgovorna za njihovu sigurnost nije osigurala nadzor ili upute o korištenju uređaja. Treba voditi računa da se djeca ne igraju s ovim uređajem.
 - Nemojte nikada dozvoliti djeci da koriste mašinu ili da se nalaze u njenoj blizini. Budući da se uređaj može lako pokrenuti, djeca bi ga mogla aktivirati dok nisu pod strogim nadzorom. Ovo može predstavljati rizik od teških povreda. Stoga odvojite bateriju dok uređaj nije pod strogim nadzorom.
 - Upotrebu ili servisiranje proizvoda i/ili baterije nikada nemojte prepustiti djeci ili osobama bez odgovarajuće obuke.
 - Opremu skladištite u područje koje se može zaključati tako da je van dohvata djece i neovlaštenih osoba.
 - Prijenosni štitnik mora se obavezno koristiti prilikom skladištenja i transporta.
 - Ruke i stopala uvijek držite dalje od područja rezanja, naročito prilikom uključivanja motora.
 - Pri isključenju proizvoda šake i stopala držite dalje od dodatka za rezanje sve dok se potpuno ne zaustavi.
 - Nemojte uklanjati isječeni materijal niti dozvoljavati drugim osobama da uklanjaju isječeni materijal dok proizvod radi ili se oprema za rezanje okreće jer to za posljedicu može imati tešku tjelesnu povredu.
 - Imajte na umu da ste vi, rukovalac odgovorni da ljude ili njihovu imovinu ne izložite nesrećama ili opasnostima.
 - Ni pod kojim okolnostima se dizajn proizvoda ne smije mijenjati bez dozvole proizvođača. Uvijek koristite originalni pribor. Neovlaštene izmjene i/ili pribor mogu kao posljedicu imati teške povrede ili smrt operatora ili drugih lica. Moguće je da garancija ne pokriva oštećenja ili odgovornosti uzrokovane upotrebom pribora ili zamjenskih dijelova koji nisu odobreni.
 - Jedina dodatna oprema s kojom je dopušten pogon ovog proizvoda su dodaci za rezanje preporučeni u poglavlju Dodaci. Pogledajte *Dodatna oprema na strani 407*.
 - Nikada nemojte koristiti proizvod koji je na bilo koji način izmijenjen u odnosu na izvorne specifikacije
 - Nikada nemojte koristiti neispravan proizvod. Provedite sigurnosne provjere, postupak održavanja i servisne upute opisane u ovom priručniku. Određene poslove održavanja i servisiranja moraju obavljati obučeni i kvalificirani stručnjaci. Pogledajte upute u odjeljku Održavanje.
 - Rad u lošim vremenskim uvjetima umara i često je opasniji. Zbog povećane opasnosti ne preporučuje se upotreba proizvoda po vrlo lošem vremenu, npr. u gustoj magli, po jakoj kiši, snažnom vjetru, intenzivnoj hladnoći, opasnosti od grmljavinskog nevremena itd.
 - Nikada nemojte raditi sa merdevina, stolice ili drugog izdignutog položaja koji nije potpuno učvršćen.
 - Nekorištene uređaje uskladištite u zatvorenom prostoru – kad uređaje ne upotrebljavate, trebate ih uskladištiti u zatvorenom
 - Nije moguće predvidjeti svaku situaciju s kojom biste se mogli suočiti. Uvijek postupajte pažljivo i razborito. Izbjegavajte sve situacije za koje smatrate da prevazilaze vaše sposobnosti. Ako i dalje imate nedoumica o radnim postupcima nakon čitanja uputstava za rukovanje, trebate se posavjetovati sa stručnjakom prije nego što nastavite raditi.
 - Vodite računa da tokom rada ljudi i životinje budu na udaljenosti od najmanje 15 m. Kada više operatora radi na istom području sigurnosna udaljenost treba biti barem 15 m. U suprotnom, postoji opasnost od teških povreda. Ukoliko neko prilazi, odmah isključite proizvod. Nikada se nemojte okretati s proizvodom bez prethodne provjere sigurnosnog područja iza vas.
 - Pazite da ljudi, životinje ili predmeti ne utiču na upravljanje proizvodom ili da ne dođu u kontakt s dodatkom za rezanje ili slobodnim predmetima koje dodatak za rezanje razbacuje. Međutim, proizvod nemojte koristiti ako ne postoji mogućnost pozivanja u pomoć u slučaju nesreće.
 - Vodite računa da se možete kretati i stajati sigurno. Provjerite postoje li u vašem okruženju smetnje (korijenje, kamenje, grane, kanali itd.) u slučaju da se morate iznenada kretati. Budite veoma pažljivi kada radite na nagnutom terenu.

- Hodajte, nemojte trčati.
- Pregledajte radni prostor. Uklonite sve slobodne predmete poput kamenja, razbijenog stakla, eksera, čelične žice, konopca, i sl. koji bi mogli biti izbačeni ili omotani oko rezača ili štitnika rezača.
- Pazite na panjeve i granje koji mogu biti izbačeni prilikom rezanja. Nemojte rezati preblizu tlu kako ne biste izbacili kamenje i druge predmete.
- Pri pokretanju proizvoda pazite da nijedan dio odjeće ili dijela tijela ne dođe u dodir s dodatkom za rezanje. Mašinu držite ispod nivoa struka.
- Pazite na bačene objekte. Uvijek nosite odobrenu zaštitu za oči. Nikada se ne naslanjajte preko štitnika dodatka za rezanje. Kamenje, otpad itd. mogu odletjeti prema očima i uzrokovati sljepilo ili teške povrede.
- Kada nosite zaštitne slušalice obraćajte pažnju na signale upozorenja ili povike. Obavezno uklonite zaštitu sluha odmah po zaustavljanju proizvoda.
- Ako se pojave neželjene vibracije, istisnite novu nit na ispravnu dužinu kako biste zaustavili vibraciju.
- Ako proizvod počne neobičajeno vibrirati, zaustavite ga i uklonite bateriju.
- Preveliko izlaganje vibracijama može dovesti do poremećaja cirkulacije krvi ili oštećenja živaca kod osoba s slabom cirkulacijom krvi. Ako primijetite simptome prevelikog izlaganja vibracijama, obratite se ljekaru. Ovi simptomi uključuju zatupljenost udova, gubitak osjećaja, trnce, bockanje, bol, gubitak snage, promjene u boji kože ili stanju. Ti simptomi se obično manifestuju u prstima, rukama ili zglobovima.
- Ručke proizvoda uvijek držite objema rukama. Proizvod držite s desne strane svog tijela.

- Koristite rukavice kada je to neophodno, naprimjer prilikom spajanja, pregledanja ili čišćenja opreme za rezanje.
- Koristite čvrste čizme koje se ne klišu.
- Nosite odjeću od čvrstih materijala. Uvijek nosite debele, duge hlače i duge rukave. Nemojte nositi odjeću koja se može zakačiti za grančice i grane. Nemojte koristiti nakit, kratke hlače, sandale ili biti bosonogi. Podignite kosu na sigurno područje iznad ramena.

(Sl. 10)

- Držite komplet za prvu pomoću pri ruci.

(Sl. 11)

Sigurnosni mehanizmi na proizvodu



UPOZORENJE: Prije upotrebe proizvoda pročitajte upozorenja u nastavku.

U ovom odjeljku su opisani sigurnosni elementi proizvoda, njihova svrha te način na koji treba vršiti provjeru i održavanje kako bi se osigurao ispravan rad proizvoda. Pogledajte uputstva pod naslovom *Uvod na strani 396* kako biste saznali gdje se ti dijelovi nalaze na proizvodu.

Radni vijek proizvoda može se skratiti, a opasnost od nezgoda povećati ukoliko se održavanje ne obavlja ispravno i ukoliko se servisiranje i/ili popravak ne obave stručno. Ukoliko vam treba više informacija, obratite se najbližem ovlaštenom serviseru.



UPOZORENJE: Nemojte nikada koristiti proizvod s oštećenim sigurnosnim komponentama. Sigurnosnu opremu proizvoda treba pregledati i održavati na način kako je opisano u ovom poglavlju. Ukoliko proizvod ne prođe bilo koju od provjera, obratite se zastupniku servisa radi popravka.



OPREZ: Za sve radove servisiranja i popravki potrebna je posebna obuka. Ovo posebno važi za sigurnosnu opremu mašine. Ako mašina ne prođe jednu od provjera navedenih ispod, morate kontaktirati vašeg serviseru. Kad kupite naše proizvode, mi garantiramo raspoloživost profesionalnih popravki i servisiranja. Ako prodavač koji vam je prodao mašinu nije i serviser, pitajte ga za adresu najbližeg serviseru.

Provjera korisničkog interfejsa

1. Pritisnite i držite dugme za uključivanje/isključivanje (A). (Sl. 12)
 - a) Proizvod je uključen kad svijetli ekran (B).
 - b) Proizvod je isključen kad se isključi ekran.

Oprema za ličnu zaštitu



UPOZORENJE: Prije upotrebe proizvoda pročitajte upozorenja u nastavku.

- Uvijek koristite odobrenu opremu za ličnu zaštitu kada rukujete proizvodom. Lična zaštitna oprema ne može u potpunosti spriječiti povrede, ali smanjuje stepen povreda u slučaju nesreće. Neka vam zastupnik pomogne pri izboru odgovarajuće opreme.
- Koristite zaštitnu kacigu ukoliko postoji rizik od pada predmeta
- Koristite odobrenu zaštitu za sluh koja pruža odgovarajuće smanjenje buke. Dugotrajno izlaganje buci može izazvati trajno oštećenje sluha.
- Koristite odobrenu zaštitu za oči. Ako koristite vizir, morate koristiti i odobrene zaštitne naočale. Odabrane zaštitne naočale moraju ispunjavati standard ANSI Z87.1 u SAD-u ili EN 166 u zemljama EU.
- Koristite vizir za zaštitu lica. Vizir nije dovoljan za zaštitu očiju.

(Sl. 9)

2. Ako je indikator upozorenja na ekranu uključen ili treperi, pogledajte odjeljak *Tastatura na strani 405*.

Provjera blokade regulatora gasa

Blokada okidača paljenja osmišljena je za sprečavanje slučajnog pogona. Kada pritisnete blokadu regulatora gasa naprijed (A) i zatim pritisnete blokadu okidača paljenja naspram ručice (B), regulator gasa (C) se oslobađa. Kad otpustite ruku, prekidač za uključivanje i blokada prekidača za uključivanje vratit će se na prijašnji položaj. To kretanje omogućuju tri neovisne opruge. (Sl. 13)

1. Pazite da okidač za paljenje bude zaključan kada je brava u izvornom položaju. (Sl. 14)
2. Pritisnite blokadu regulatora gasa naprijed (A) i nadolje. Držite blokadu regulatora gasa uz ručicu (B) i provjerite vraća li se u izvorni položaj kada je otpustite. (Sl. 15)
3. Provjerite pomjeraju li se regulator gasa i blokada regulatora gasa bez smetnji i funkcioniraju li povratne opruge ispravno. (Sl. 16)
4. Pritisnite i držite dugme za uključivanje/isključivanje dok se ne uključi proizvod.
5. Gurnite regulator gasa do kraja da biste primijenili punu brzinu.
6. Otpustite okidač paljenja i provjerite da li se dodatak za rezanje zaustavlja i ostaje li nepomičan.

Sigurnosna uputstva za sklapanje



UPOZORENJE: Pročitajte ovaj priručnik za napojnu jedinicu skupa s priručnikom za odobreni pribor.

- Izvadite akumulator iz proizvoda pre nego što sastavite proizvod.
- Koristite odobrene zaštitne rukavice.
- Oštećen ili neodgovarajući štitičnik može uzrokovati povrede. Nemojte koristiti dodatak za rezanje na koji nije postavljen odgovarajući štitičnik.
- Vodite računa da prije pokretanja proizvoda ispravno spojite poklopac i vratilo.
- Ako je uz dodatak priložen pojas, pojas se mora pravilno postaviti na proizvod. Pojas omogućava siguran rad i sprečava povređivanje operatera ili drugih osoba.

Sigurnost baterije



UPOZORENJE: Prije upotrebe proizvoda pročitajte upozorenja u nastavku.

- Koristite samo Husqvarna odobrene baterije. Pogledajte *Odobreni akumulatori na strani 406*. Baterije su softverski kodirane.
- Koristite Husqvarna odobrene baterije kao napajanje samo za Husqvarna proizvode. Bateriju nemojte

koristiti za napajanje drugih proizvoda jer postoji opasnost od povreda.

- Opasnost od strujnog udara. Polove baterije nemojte spajati s ključevima, kovanica, vijcima ili drugim metalom. Tako može doći do kratkog spoja baterije.
- Nemojte koristiti baterije koje se ne mogu puniti.
- Nemojte umetati predmete u zračne utore baterije.
- Bateriju zaštitite od sunčeve svjetlosti, vrućine i otvorenog plamena. Baterija može uzrokovati opekotine i/ili hemijske opekotine.
- Zaštitite bateriju od kiše i mokrih uvjeta.
- Zaštitite bateriju od mikrovalova i visokog pritiska.
- Bateriju nemojte rastavljati ili razbijati.
- Ako baterija curi, pazite da tečnost ne dodirne tijelo i oči. Ako ste dodirnuti tečnost, očistite područje velikom količinom vode i sapunice i zatražite medicinsku pomoć. Ako vam tečnost dospije u oči, nemojte ih trljati nego barem 15 minuta ispirite oči s puno vode i zatražite medicinsku pomoć.
- Bateriju koristite u rasponu temperatura od -10 °C (14 °F) do 40 °C (114 °F).
- Bateriju ili punjač baterija nemojte čistiti vodom. Pogledajte *Čišćenje uređaja, baterije i punjača baterija na strani 404*.
- Nemojte koristiti bateriju koja je oštećena ili koja ne radi ispravno.
- Baterije skladištite dalje od metalnih predmeta poput eksera, vijaka ili nakita.
- Baterije držite van domašaja djece.

Sigurnost punjača baterija



UPOZORENJE: Prije upotrebe proizvoda pročitajte upozorenja u nastavku.

- Nepoštivanje sigurnosnih uputa može uzrokovati strujni udar ili kratki spoj.
- Koristite isključivo punjače baterija koji su isporučeni uz proizvod. Koristite isključivo odobrene Husqvarna punjače za punjenje zamjenskih Husqvarnabaterija. Uputstva potražite u *Tehnički podaci na strani 406*.
- Nemojte pokušavati rastaviti punjač baterija.
- Nemojte koristiti punjač baterije koji je oštećen ili koji ne radi ispravno.
- Punjač baterije nemojte podizati povlačenjem za električni kabl. Da biste isključili punjač baterija iz zidne utičnice, izvucite utikač. Nemojte povlačiti kabl za napajanje.
- Sve kablove i produžne kablove držite dalje od vode, ulja i oštih ivica. Pazite da se kabl ne prignječi između predmeta, npr. u vratima, ogradama i slično.
- Punjač baterija nemojte koristiti u blizini zapaljivih materijala ili materijala koji mogu uzrokovati koroziju. Nemojte pokrivati punjač baterija. Ako se pojavi dim ili vatra, izvucite utikač punjača baterija iz utičnice.
- Bateriju puniti isključivo u zatvorenom, dobro prozračenom zatvorenom prostoru bez direktne

sunčeve svjetlosti. Baterije nemojte puniti na otvorenom. Nemojte puniti bateriju u vlažnim uvjetima.

- Punjač baterija koristite isključivo u rasponu temperatura od 5 °C (41 °F) do 40 °C (104 °F). Punjač baterija koristite u prozračnom i suhom okruženju bez prašine.
- Nemojte umetati predmete u rashladne uređaje punjača baterija.
- Nemojte priključivati spojeve punjača baterije na metalne predmete jer tako možete izazvati kratki spoj na punjaču baterija.
- Koristite neoštećene i odobrene zidne utičnice. Provjerite da kabl punjača baterije nije oštećen. Ako su u upotrebi produžni kablovi, provjerite da produžni kablovi nisu oštećeni.

- Izvadite bateriju prije obavljanja poslova održavanja, drugih provjera ili sklapanja proizvoda.
- Rukovalac mora obavljati samo one poslove održavanja i servisiranja koji su navedeni u korisničkom priručniku. Obratite se servisnom zastupniku ako je potrebno obaviti veće poslove održavanja ili servisiranja.
- Bateriju ili punjač baterija nemojte čistiti vodom. Jaka deterdžentna sredstva mogu izazvati oštećenja na plastičnim dijelovima.
- Ako ne provodite održavanje, smanjuje se životni vijek proizvoda i povećava opasnost od nezgoda.
- Za sve poslove servisiranja i popravki potrebna je specijalna obuka, a posebno kad su u pitanju sigurnosni uređaji na proizvodu. Ako se nakon obavljenog održavanja ne odobre sve provjere navedene u korisničkom priručniku, obratite se servisnom zastupniku. Garantujemo da za vaš proizvod nudimo stručan popravak i servisiranje.
- Koristite samo originalne rezervne dijelove.
- Kad popravljate rezni dodatak, uvijek nosite rukavice za rad u teškim uslovima. Noževi su vrlo oštri i mogu lako izazvati povrede.

Sigurnosne upute za održavanje



UPOZORENJE: Prije održavanja proizvoda pročitajte upozorenja u nastavku.

Sastavljanje

Sklapanje okrugle ručke

1. Spojite okruglu ručku na osovinu između strelica. Ne postavljajte okruglu ručku ili zaustavni prsten na naljepnicu. (Sl. 17)
2. Pomaknite odstojnik na njegovo mjesto u okrugloj ručki.
3. Dodajte navrtku, dugme i vijak. Nemojte prejako stezati.
4. Podesite proizvod u ugodan položaj.
5. Pritegnite vijak.

Sastavljanje dvodijelne osovine.

1. Okrenite dugme da olabavite spojku. (Sl. 18)
2. Poravnajte jezičac (A) sa strelicom (B) na spojki. (Sl. 19)
3. Gurnite osovinu u spojku dok ne klikne na mjesto. (Sl. 20)

4. Pritegnite dugme do kraja. (Sl. 21)

Da biste rastavili dvodijelnu osovinu

1. Okrenite dugme 3 puta da olabavite spojku. (Sl. 22)
2. Pritisnite i držite dugme (C).
3. Držite čvrsto kraj osovine na koji je pričvršćen motor.
4. Izvucite dodatak iz spojnice. (Sl. 23)

Instaliranje prstena vješanja ako je to relevantno

1. Postavite prsten vješanja između strelica na stražnjoj ručki i okrugloj ručki. (Sl. 24)

Napomena: Ne stavljajte okruglu ručku na naljepnicu.

2. Podesite prsten kako bi proizvod bio uravnotežen i jednostavan za korištenje.

Rukovanje

Uvod



UPOZORENJE: Prije upotrebe proizvoda, s razumijevanjem pročitajte poglavlje o sigurnosti.

Husqvarna Connect

Husqvarna Connect je besplatna aplikacija za mobilne uređaje. Aplikacija Husqvarna Connect pruža proširene funkcije za proizvod Husqvarna.

- Dodatne informacije o proizvodu.
- Informacije o dijelovima proizvoda i servisiranju i pomoći u vezi s njima.

Da biste počeli koristiti Husqvarna Connect

1. Preuzmite aplikaciju Husqvarna Connect na mobilni uređaj.
2. Registrirajte se u aplikaciji Husqvarna Connect.
3. Pratite upute u aplikaciji Husqvarna Connect kako biste se spojili i registrovali proizvod.

Napomena: Aplikacija Husqvarna Connect nije dostupna za preuzimanje na svim tržištima. Više informacija potražite kod svog zastupnika servisa.

Povezivanje baterije na uređaj



UPOZORENJE: S proizvodom koristite samo originalne baterije kompanije Husqvarna.

1. Provjerite je li baterija potpuno napunjena.
2. Umetnite bateriju u držač baterije na proizvodu. Kad se baterija učvrsti u položaju, čuje se zvuk škljocanja. (Sl. 25)



OPREZ: Ako se baterija ne umeće lako u držač baterije, nije ispravno ugrađena. To može izazvati oštećenje na proizvodu.

3. Provjerite je li baterija ispravno postavljena.

Punjenje baterije

Napomena: Napunite bateriju prilikom prvog korištenja. Nova baterija napunjena je samo 30%.

1. Provjerite je li baterija suha.
2. Stavite bateriju u punjač baterija. (Sl. 26)

Napomena: Baterija i punjač baterije mogu izgledati drugačije u zavisnosti od modela, ali postupak je isti.

3. Provjerite uključuje li se zeleni indikator punjenja na punjaču baterije. On označava ispravnu povezanost baterije s punjačem baterije.
4. Kada se na bateriji uključe sve LED lampice, baterija je potpuno napunjena. (Sl. 27)
5. Da biste isključili punjač baterija iz utičnice, izvucite utikač. Nemojte povlačiti kabl.
6. Izvadite bateriju iz punjača baterija.

Napomena: Više informacija potražite u priručnicima za bateriju i punjač baterije.

Radni položaj

- Držite proizvod s obje ruke.
- Proizvod držite s desne strane svog tijela.
- Dodatak za rezanje držite u nivou ispod struka.
- Udaljite dijelove tijela od vrelih površina.
- Dijelove tijela držite dalje od dodatka za rezanje.

Prije rada s proizvodom

- Provjerite područje rada kako biste bili sigurni da poznajete vrstu terena, nagib zemljišta i ima li prepreka kao što je kamenje, grane i kanali.
- Detaljno pregledajte proizvod.
- Izvršite sigurnosni pregled, održavanje i servisiranje koji su opisani u ovom priručniku.
- Vodite računa da svi poklopci, štitnici, ručke i pribor budu ispravno postavljeni i da na njima nema oštećenja.

Pokretanje proizvoda

1. Pritisnite i držite dugme za uključivanje/isključivanje dok se ne uključi zelena LED lampica. (Sl. 28)
2. Prekidačem za prekidač za podešavanje snage upravljajte brzinom.

Ograničenje maksimalne brzine dugmetom za način rada

Proizvod ima dugme za način rada. Operater može ograničiti maksimalnu brzinu pomoću dugmeta za način rada. Dugme za način rada ima tri nivoa brzine. Niži nivo produžava vrijeme rada proizvoda. Dugme za način rada ima tri nivoa brzine. Niži nivo produžava vrijeme rada proizvoda. Ako za rad nije potrebna puna brzina/puna snaga, koristite nivo 1 i 2. Ako se uslovljama rada zahtijeva puna brzina/puna snaha, koristite nivo 3. Nemojte koristiti nivo koji je viši od nivoa neophodnog za rad.

1. Pritisnite dugme za način rada kako biste ograničili maksimalnu brzinu. Uključuje se bijeli LED indikator i prikazuje da je funkcija uključena. (Sl. 29)
2. Ponovo pritisnite dugme za način rada kako biste odabrali naredni nivo brzine.

Funkcija automatskog isključivanja

Proizvod ima funkciju automatskog isključivanja koja isključuje proizvod ako ga ne koristite 3 minute.

Zaustavljanje proizvoda

1. Otpustite okidač paljenja ili blokadu okidača paljenja.
2. Pritisnite dugme za uključivanje/isključivanje. (Sl. 30)
3. Pritisnite dugme za otpuštanje na bateriji i izvadite bateriju. (Sl. 31)

Održavanje

Uvod



UPOZORENJE: Prije održavanja morate pročitati i usvojiti poglavlje o sigurnosti.

U nastavku je spisak koraka za održavanja koji se moraju obaviti na proizvodu. Osim održavanja navedenog u rasporedu održavanja, neka Husqvarna serviser uradi redovno održavanje proizvoda. Za informacije o intervalima održavanja, razgovarajte s Husqvarna serviserom.

Plan održavanja



UPOZORENJE: Izvadite bateriju prije obavljanja radova na održavanju.

Održavanje	Dnevno	Sedmično	Mjesečno
Vanjske dijelove proizvoda čistite suhom krpom. Nemojte koristiti vodu.	X		
Pregledajte radi li dugme za napajanje pravilno i da nije oštećeno.	X		
Provjerite da li blokada regulatora gasa i funkcija blokiranja regulatora gasa funkcioniraju ispravno radi sigurnosti.	X		
Provjerite rade li sve komande ispravno i jesu li neoštećene.	X		
Ručke moraju biti suhe, čiste i bez ulja i masti.	X		
Provjerite jesu li vijci i matice pritegnute.	X		
Provjerite da li dugmad na bateriji za otpuštanje baterije funkcioniraju i zaključavaju bateriju u proizvodu.	X		
Provjerite da baterija nije oštećena.	X		
Provjerite je li baterija napunjena.	X		
Provjerite je li punjač baterija oštećen i funkcionira li pravilno.	X		
Pregledajte sve kablove, spojnice i spojeve. Provjerite da nisu oštećeni i prljavi.		X	
Pregledajte spojeve između baterije i proizvoda. Pregledajte spojeve između baterije i punjača baterije.			X

Čišćenje uređaja, baterije i punjača baterija

1. Proizvod nakon upotrebe očistite suhom krpom.
2. Bateriju i punjač baterije čistite suhom krpom. Vodilice za bateriju održavajte čistim.
3. Provjerite jesu li priključci na bateriji i punjač za baterije čisti prije nego što stavite bateriju u punjač ili u proizvod.

Dvodijelna osovina

Podmažite kraj pogonske osovine nakon svakih 30 sati rada. Postoji opasnost od hvatanja krajeva vratila (uglavljena spojka) na modelima s dvodijelnom osovinom ukoliko se ne podmazuju redovno. (Sl. 32)

Rješavanje problema

Tastatura

LED ekran	Moguće greške	Moguće djelovanje
Zeleni LED indikator aktiviranja treperi.	Nizak napon baterije.	Napunite bateriju.
Crveni LED indikator greške grešaka treperi.	Preopterećenje.	Dodatak za rezanje je zaglavljen. Deaktivirajte proizvod. Uklonite bateriju. Očistite dodatak za rezanje od neželjenog materijala.
	Odstupanje temperature.	Ostavite proizvod da se ohladi.
	Prekidač za uključivanje i dugme za aktivaciju pritisnuti su istovremeno.	Otpustite prekidač za uključivanje i proizvod će se aktivirati.
Motor se ne pokreće	Prijava na priključcima baterije.	Očistite priključke baterije zrakom pod pritiskom ili mekanom četkicom.
LED indikator greške svijetli crvenom bojom.	Proizvod treba servisirati.	Obratite se serviseru.

Transport, skladištenje i odbacivanje

Transport i skladištenje

- Isporučene Li-ion baterije usklađene su sa zakonskim propisima o opasnim materijama.
- Pridržavajte se posebnih zahtjeva u pogledu ambalaže i oznaka za komercijalni transport, uključujući i zahtjeve trećih strana i špeditera.
- Prije slanja proizvoda, posavjetujte se sa stručnjakom za opasne materijale. Pridržavajte se svih važećih državnih propisa.
- Trakom obložite izložene kontakte kada bateriju stavljate u pakovanje. Bateriju učvrstite u pakovanje kako biste spriječili pomjeranje.
- Izvadite bateriju prilikom skladištenja ili transporta.
- Bateriju i punjač baterija držite na suhom mjestu na kojem nema vlage i mraza.
- Nemojte čuvati bateriju u području gdje se može pojaviti statički elektricitet. Nemojte držati bateriju u metalnoj kutiji.
- Bateriju skladištite na temperaturi u rasponu od 5 °C / 41 °F do 25 °C / 77 °F i dalje od otvorene sunčeve svjetlosti.
- Punjač baterija skladištite na temperaturi u rasponu od 5 °C / 41 °F do 45 °C / 113 °F i dalje od otvorene sunčeve svjetlosti.

- Punjač baterija koristite samo u okruženju s temperaturom u rasponu od 5 °C / 41 °F do 40 °C / 104 °F.
- Bateriju napunite 30% do 50% prije skladištenja na duži vremenski period.
- Punjač baterija skladištite u zatvorenom i suhom prostoru.
- Bateriju držite odvojeno od punjača baterija tokom skladištenja. Ne dopuštajte da djeca ili druge neovlaštene osobe diraju opremu. Opremu držite na mjestu koje možete zaključati.
- Prije skladištenja proizvoda na duži vremenski period, očistite ga i obavite puno servisiranje.
- Koristite štitičnik za transport na proizvodu kako biste spriječili povrede ili oštećenja proizvoda tokom transporta ili skladištenja.
- Pričvrstite proizvod sigurno za vrijeme transporta.

Odlaganje baterije, punjača baterija i proizvoda

Simboli na uređaju ili ambalaži znače da se ovaj proizvod pri odlaganju ne svrstava s otpadom iz domaćinstva. Reciklirajte ga u reciklažnoj stanici za električnu i elektronsku opremu. Time se sprečava izazivanje štete po okoliš i ljude.

Informacije o recikliranju proizvoda potražite od lokalnih organa vlasti, službe za odlaganje otpada ili zastupnika.

Tehnički podaci

Tehnički podaci

	325ILK
Motor	
Vrsta motora	BLDC (beskontaktni) 36 V
Brzina izlazne osovine, 1/min	8400
Težina	
Težina (samo napojna jedinica), kg	2,9
Emisija buke ^{225, 226}	
Nivo jačine zvuka mjereno u dB (A)	89–103
Nivo jačine zvuka, garantirani L _{WA} dB (A)	90–106
Nivo buke ^{227, 228}	
Ekvivalentni nivo pritiska zvuka na uhu rukovaoca, izmjereno prema standardu EN 62841-1, dB(A):	78–93
Nivoi vibracija ^{229, 230}	
Nivoi vibracije na ručkama, izmjereni u skladu sa standardom EN 62841-1, m/s ²	1,3–5,5/1,1–3,1

Odobreni akumulatori

Akumulator	BLi200	40-B220X
Tip	Litijum-ion	Litijum-ion
Kapacitet akumulatora, Ah	5,2	6,0
Nazivni napon, V	36	36

²²⁵ Emisije buke u okruženju mjerene kao jačina zvuka (LWA) u skladu s Direktivom EC 2000/14/EZ. Navedeni nivo jačine zvuka izmjereno je s originalnim dodatkom za rezanje koji proizvodi najveći nivo. Razlika između garantirane i izmjerene jačine zvuka je u tome da garantirana jačina zvuka obuhvata i disperziju rezultata mjerenja i varijacije između različitih mašina istog modela u skladu s Direktivom 2000/14/EZ.

²²⁶ Raspon buke navodi vrijednost izmjerenu od najnižeg do najvišeg nivoa.

²²⁷ Objavljeni podatak za nivo pritiska zvuka za mašinu ima tipičnu statističku disperziju (standardno odstupanje) od 3 dB(A) i izmjereno je s originalnim dodatkom koji daje najviši nivo.

²²⁸ Raspon buke navodi vrijednost izmjerenu od najnižeg do najvišeg nivoa.

²²⁹ Objavljeni podatak za nivo vibracija ima tipičnu statističku disperziju (standardno odstupanje) od 2 m/s². Za poređenje nivoa vibracija, baterija i proizvoda sagorijevanja, koristite kalkulator vibracija. <https://www.husqvarna.com/uk/services-solutions/vibration-calculator/>.

²³⁰ Raspon buke navodi vrijednost izmjerenu od najnižeg do najvišeg nivoa.

Akumulator	BLi200	40-B220X
Težina, kg (lb)	1,3 (2,9)	1,4 (3,1)

Odobreni punjači baterija

Punjač baterija	QC330	40-C500X
Ulazni napon, V	100-240	100-240
Frekvencija, Hz	50-60	50-60
Snaga, W	330	500

Dodatna oprema

Dodaci

Odobreni dodaci	Broj dodatka²³¹	Grupa dodataka²³²	Koristite sa
Dodatak za rezanje trave i niskog rastinja BCA850	1	1-10	325iLK
Dodatak za puhač BA101	11	11-20	325iLK
Dodatak za ivice ECA850	21	21-30	325iLK
Dodatak za ivice ESA850	22	21-30	325iLK
Dodatak za makaze za živu ogradu HA860	32	31-40	325iLK
Dodatak za teleskopsku pilu PAX730	41	41-50	325iLK
Dodatak za teleskopsku pilu PAX1100	42	41-50	325iLK
Dodatak za pilu PA1100	43	41-50	325iLK
Dodatak za čišćenje SR600-2	51	51-60	325iLK
Dodatak za čekinjastku četku BR600	52	51-60	325iLK
Dodatak za odvajanje DT600	53	51-60	325iLK
Dodatak za kultivator CA230	54	51-60	325iLK
Priključak za obrezivanje s recipročnim oštricama RA850	2	1-10	525iLK

²³¹ To je specifični broj odobrenog dodatka unutar grupe dodataka.

²³² Odobreni dodaci su podijeljeni u grupe dodataka. Svaka grupa dodataka ima slične funkcije i oznake.

Izjava o usaglašenosti

Izjava o usklađenosti za EU

Mi, **Husqvarna AB**, SE-561 82 Huskvarna, Švedska,
tel: +46-36-146500, izjavljujemo pod isključivom
odgovornošću kako prikazani proizvod:

Opis	Baterijska napojna jedinica (trimer za travu)
Brend	Husqvarna
Tip/model	325iLK (osnovna jedinica)
Identifikacija	Serijski brojevi s datumom od 2024 i nadalje

u potpunosti je u skladu sa sljedećim direktivama i
propisima EU-a:

Direktiva/propis	Opis
2006/42/EZ	„u vezi s mašinama”
2014/30/EMC	„koja se odnosi na elektromagnetsku kompatibilnost”
2011/65/EU	“u vezi s ograničenjem opasnih supstanci”
2000/14/EZ	„koja se odnosi na vanjsku buku”

i da se primjenjuju sljedeći standardi i/ili
tehničke specifikacije: EN ISO 12100:2010,
EN 62841-1:2015+AC:2015+A11:2022, EN
62841-4-2:2019+A11:2022+A1:2022, IEC 62841-4-4:
2020+A1:2024, IEC 62841-4-6:2022, ISO 11449:1994,
EN ISO 11680-1:2021, EN 61000-6-3:2007+A1:2011,
EN 61000-6-1:2016, EN IEC 63000:2018.

odgovoran za tehničku dokumentaciju



SMP Svensk Maskinprovning AB, Box 4053, SE-904 03
Umeå, Sweden e izvršila dobrovoljno ispitivanje vrste
prema dodatku IX direktive 2006/42/EZ. Br. certifikata:
SEC/24/2593.

Ovlašteno tijelo: Kompanija SMP Svensk
Maskinprovning AB, je također potvrdila saglasnost s
aneksom V direktive vijeća 2000/14/EZ. Br. certifikata:
01/1610/013.

Informacije o emisiji buke potražite u odjeljku *Tehnički
podaci na strani 406.*

Huskvarna, 2024-02-01

Stefan Holmberg, Direktor za istraživanje i razvoj,
Upravljanje tehnologijom, Husqvarna AB, Švedska

Obsah

Úvod.....	409	Odstraňování problémů.....	418
Bezpečnost.....	410	Přeprava, skladování a likvidace.....	418
Montáž.....	415	Technické údaje.....	419
Provoz.....	416	Příslušenství.....	420
Údržba.....	417	Prohlášení o shodě.....	421

Úvod

Zamýšlené použití

Tato pohonná jednotka je holá jednotka, která funguje pouze společně se schváleným příslušenstvím, viz

Popis výrobku

(Obr. 1)

1. Návod k používání
2. 4mm šestihranný klíč
3. Držadlo ve tvaru „D“
4. Knoflík
5. Vypínač
6. Tlačítko režimu otáček
7. Pojistka páčky spínače
8. Uživatelské rozhraní
9. Páčka spínače
10. Nabíječka baterie (příslušenství)
11. Kontrolka nabíjení a chyby na nabíječce
12. Tlačítka pro uvolnění baterie
13. Baterie (příslušenství)
14. Kontrolka LED stavu nabití
15. Výstražná kontrolka LED
16. Tlačítko ukazatele stavu baterie
17. Spojka pro nástavec

Povšimněte si: Baterie a nabíječka se mohou u různých modelů lišit.

Symbole na výrobku

- (Obr. 2) **VAROVÁNÍ!** Tento výrobek může být nebezpečný! Nepozorné nebo nesprávné použití může vést k vážnému nebo smrtelnému zranění uživatele nebo někoho jiného. Je mimořádně důležité, abyste si prostudovali tento návod k používání a pochopili jeho obsah. Přečtěte si pozorně tento návod k používání a nepoužívejte výrobek, pokud mu zcela nerozumíte.
- (Obr. 3) Před údržbou odpojte baterii.
- (Obr. 4) Jmenovité napětí, V

schválené příslušenství v části *Příslušenství na strani 420*. Přečtěte si tento návod společně s návodem ke schválenému příslušenství.

(Obr. 5) Stejnoseměrný proud.

(Obr. 6) Výrobek odpovídá příslušným směrnici ES.

(Obr. 7) Symboly na výrobku nebo jeho obalu označují, že tento výrobek nesmí být likvidován jako domácí odpad. Výrobek musí být odevzdán do příslušného recyklačního zařízení.

(Obr. 8) Výrobek má ochranu proti stříkající vodě.

yyyywwxxxx

Typový štítek s výrobním číslem. **yyyy** znamená rok výroby, **ww** znamená týden výroby a **xxxx** je sériové číslo.

Povšimněte si: Další symboly/štítky na produktu se týkají certifikačních požadavků pro další komerční oblasti.

Výrobce

Husqvarna AB

Drottninggatan 2, SE-561 82 Huskvarna, Sweden, tel: +46-36-146500

Poškození výrobku

Neneseme odpovědnost za poškození výrobku, pokud:

- byl výrobek nesprávně opraven.
- byl výrobek opraven pomocí součástí od jiného výrobce nebo součástí, které nejsou výrobcem schváleny.
- má výrobek příslušenství od jiného výrobce nebo příslušenství, které není výrobcem schváleno.
- výrobek nebyl opraven ve schváleném servisním středisku nebo schváleným odborníkem.

Podpora

Chcete-li získat podporu pro výrobek, přejděte do části Podpora na webu , kde najdete pokyny a příručky pro

odstraňování problémů, nebo použijte samoobslužný portál Husqvarna a průvodce výrobky (je-li dostupný na vašem trhu). V případě dalších dotazů ohledně výrobku se obraťte na autorizovaný servis Husqvarna.

Bezpečnost

Definice týkající se bezpečnosti

Varování, upozornění a poznámky slouží jako upozornění na specifické důležité části návodu.



VÝSTRAHA: Používá se v případě nebezpečí úrazu nebo usmrcení obsluhy nebo okolních osob, pokud nejsou dodrženy pokyny uvedené v této příručce.



VAROVÁNÍ: Používá se v případě nebezpečí poškození výrobku, dalších materiálů či škod na majetku v blízkém okolí, pokud nejsou dodrženy pokyny uvedené v této příručce.

Povšimněte si: Používá se k poskytnutí dalších informací, které jsou nezbytné v dané situaci.

Obecné bezpečnostní výstrahy pro elektrické nářadí



VÝSTRAHA: Přečtěte si tento návod k pohonné jednotce společně s návodem ke schválenému příslušenství.



VÝSTRAHA: Prohlédněte si všechny bezpečnostní pokyny, pokyny, ilustrace a technické údaje dodané s tímto elektrickým nástrojem. Při nedodržení některého z pokynů uvedených níže může dojít k úrazu elektrickým proudem, požáru nebo vážnému poranění.

Povšimněte si: Uložte si veškerá upozornění a pokyny pro použití v budoucnu. Termín „elektrický nástroj“ v upozorněních označuje buď nástroj napájený ze sítě (kabelem), nebo napájený baterií (bezdrátový).

Bezpečnost na pracovišti

- **Udržujte pracovní prostor čistý a dobře osvětlený.** Nepořádek nebo neosvětlené oblasti mohou vést k úrazům.
- **Neprovazujte stroje ve výbušném prostředí, například v přítomnosti hořlavých kapalin, plynů nebo prachu.** Stroje vytvářejí jiskry, které mohou zapálit prach nebo výpary.

- **Udržujte děti a ostatní osoby během práce se strojem v dostatečné vzdálenosti.** Při rozptýlení pozornosti můžete ztratit kontrolu nad strojem.

Elektrická bezpečnost

- **Zástrčky stroje musí odpovídat použité elektrické zásuvce. Zástrčku nikdy žádným způsobem neupravujte. U uzemňovacích strojů nepoužívejte žádné adaptéry.** Původní zástrčky a odpovídající zásuvky snižují nebezpečí úrazu elektrickým proudem.
- **Zabraňte tělesnému kontaktu s uzemňovacími povrchy, např. trubkami, radiátory, sporáky a chladničkami.** Pokud je lidské tělo uzemněno, hrozí větší nebezpečí úrazu elektrickým proudem.
- **Stroj nevystavujte dešti ani vlhku.** Voda uvnitř stroje zvyšuje riziko úrazu elektrickým proudem.
- **Nezacházejte hrubě s napájecím kabelem. Stroj nikdy nenoste za kabel. Za kabel netahejte a stroj neodpojujte od sítě táháním za kabel. Nevystavujte napájecí kabel působení tepla, oleje, nepoškodte ho ostrými hranami nebo pohyblivými částmi.** Poškozený nebo ohnutý kabel zvyšuje nebezpečí úrazu elektrickým proudem.
- **Při používání stroje venku použijte prodlužovací kabel určený pro venkovní použití.** Použití kabelu určeného pro venkovní použití snižuje nebezpečí úrazu elektrickým proudem.
- **Pokud je nezbytné pracovat se strojem ve vlhkém prostředí, použijte zdroj s proudovým chráničem.** Použití proudového chrániče snižuje nebezpečí úrazu elektrickým proudem.

Osobní bezpečnost

- **Při práci se strojem dávejte pozor, sledujte, co děláte, a používejte zdravý rozum. Stroj nepoužívejte, pokud jste unaveni nebo jste pod vlivem drog, alkoholu či léků.** Chvilka nepozornosti při práci se strojem může vést k vážným poraněním.
- **Používejte osobní ochranné pomůcky. Vždy používejte ochranu zraku.** Ochranné prostředky, jako jsou respirátor, protiskluzové bezpečnostní boty, ochranná helma nebo ochrana sluchu, použité správným způsobem snižují nebezpečí úrazu.
- **Zabraňte náhodnému spuštění. Před připojením k elektrickému napájení nebo vložením akumulátoru, zvednutím nebo přenášením stroje se přesvědčte, že je vypínač ve vypnuté poloze.** Přenášení stroje s prstem na spínači nebo připojování stroje se zapnutým spínačem ke zdroji napětí zvyšuje riziko nehody.

- **Před zapnutím stroje odstraňte jakékoliv seřizovací nebo dotahovací klíče.** Klíč ponechaný na rotující části stroje může způsobit úraz.
- **Nenatahujte se příliš daleko. Neustále pevně stůjte a držte rovnováhu.** Budete tak mít lepší kontrolu nad strojem v neočekávaných situacích.
- **Noste vhodný oděv. Nenoste volné oblečení ani šperky. Udržujte vlasy a oděv mimo dosah pohyblivých částí.** Pohyblivé části mohou zachytit volný oděv, šperky nebo dlouhé vlasy.
- **Pokud jsou zařízení přizpůsobena pro připojení odsávaců a lapačů prachu, musí být připojeny a správně použity.** Použitím lapačů prachu snižujete rizika spojená s výskytem prachu.
- **Nedovolte, aby rutina nabytá častým používáním stroje způsobila, že začnete být neopatrní a budete ignorovat bezpečnostní zásady při zacházení se strojem.** Neopatrný úkon může způsobit vážné zranění ve zlomku sekundy.

Používání stroje a péče o něj

- **Stroj nepřetěžujte. Pro danou práci používejte jen k tomu určený stroj.** Vhodný stroj bude dělat práci lépe a bezpečněji při rychlosti, pro kterou byl navržen.
- **Nepoužívejte stroj, pokud nefunguje vypínač.** Stroj, který nelze ovládat vypínačem, je nebezpečný a musí být opraven.
- **Před jakýmkoli nastavováním, výměnou příslušenství nebo uložením stroje odpojte zástrčku od napájení nebo vytáhněte z nástroje baterie, pokud je to možné.** Toto opatření zabraňuje náhodnému spuštění stroje.
- **Nepoužívaný stroj ukládejte mimo dosah dětí a nedovolte, aby s ním pracovaly osoby, které ho dobře neznají nebo si nepřečetly tento návod k používání.** Stroje jsou v rukou neproškolených uživatelů nebezpečné.
- **Provádějte údržbu stroje a příslušenství. Kontrolujte chybné zarovnání nebo spojení pohyblivých částí, poškození jakýchkoliv částí nebo jiné stavy, které mohou ovlivnit provoz stroje. Pokud je stroj poškozen, nechte ho před použitím opravit.** Mnohé nehody jsou způsobeny špatnou údržbou stroje.
- **Udržujte řezací nástroje ostré a čisté.** Správně udržované řezací stroje s ostrým ostřím jsou méně náchylné k „zakusnutí“ a snadněji se ovládají.
- **Používejte stroj, příslušenství a další části podle těchto pokynů. V úvahu je třeba brát pracovní podmínky a prováděnou práci.** Použití stroje k jinému účelu, než pro který je určen, může mít za následek vznik nebezpečné situace.
- **Rukojeti a uchopovací plochy udržujte suché, čisté a bez zbytků oleje a maziva.** Kluzké rukojeti a uchopovací plochy neumožňují bezpečné ovládání stroje a v neočekávaných situacích může dojít ke ztrátě kontroly.

Použití akumulátorových strojů a péče o ně

- **Baterii dobíjete pouze nabíječkou specifikovanou výrobcem.** Použití nabíječky vhodné pro jeden typ baterie může pro jiný typ baterie představovat nebezpečí vzniku požáru.
- **Ve stroji používejte pouze k tomu určené baterie.** Při použití jakékoli jiné baterie hrozí riziko úrazu a požáru.
- **Když baterii nepoužíváte, udržujte ji stranou od kovových předmětů, např. kancelářských sponek, mincí, klíčů, hřebíků, šroubů nebo jiných malých kovových předmětů, které by mohly spojit kontakty baterie.** Při zkratování kontaktů baterie může dojít k popáleninám nebo k požáru.
- **V nevhodných podmínkách může dojít k vytečení kapaliny z baterie. Vyvarujte se kontaktu s kapalinou. Pokud dojde k náhodnému kontaktu, opláchněte postižené místo vodou. Při zasažení očí kapalinou vyhledejte lékařskou pomoc.** Kapalina vyteká z baterie může způsobit podráždění nebo popáleniny.
- **Nepoužívejte poškozenou nebo pozměněnou baterii nebo stroj.** Poškozené nebo upravené baterie mohou vykazovat neočekávané chování vedoucí k požáru, výbuchu nebo nebezpečí poranění.
- **Baterii nebo stroj nevystavujte ohni nebo příliš vysoké teplotě.** Vystavení ohni a teplotám nad 130 °C může způsobit explozi.
- **Dodržujte všechny pokyny pro nabíjení a nikdy nenabíjete baterii nebo stroj mimo teplotní rozsah uvedený v pokynech.** Nesprávné nabíjení nebo nabíjení při teplotách mimo uvedený rozsah může mít za následek poškození baterie a zvýšené nebezpečí požáru.

Servis

- **Servis stroje smí provádět pouze kvalifikovaná osoba za použití identických náhradních dílů.** To zajistí zachování bezpečnosti stroje.
- **Nikdy neprovádějte servis poškozených baterií.** Servis baterií smí provádět pouze výrobce nebo autorizovaný servis.

Další obecné bezpečnostní informace

- Před přemístěním do jiné oblasti vypněte výrobek. Před předáním výrobku jiné osobě vždy vyjměte baterii.
- Nikdy neodkládejte výrobek, dokud jej nedeaktivujete a nevyjměte baterii. Nenechávejte výrobek bez dozoru, když je spuštěný.
- Žací nástroj se po vypnutí výrobku nezastaví okamžitě.
- Před použitím výrobku a po každém nárazu zkontrolujte, zda nevykazuje známky opotřebení a v případě potřeby proveďte nutné opravy.
- Pokud nějaký předmět uvízne v řezacím nástavci při použití výrobku, vypněte jej a deaktivujte. Zkontrolujte, zda se řezací nástavec zcela zastavil.

- Před kontrolou, čištěním nebo opravou výrobku nebo řezacího nástavce vyjměte baterii.
- Před použitím výrobek zkontrolujte. Viz část *Bezpečnostní zařízení na produktu na strani 413 a Údržba na strani 417*. Nepoužívejte poškozený výrobek. Dodržujte pokyny pro kontrolu, údržbu a servis popsané v této příručce.
 - Nesprávný řezací nástavec zvyšuje nebezpečí úrazu.
 - Zkontrolujte, zda není znečištěná převodovka nebo zda na ní nejsou nějaké praskliny. Pomocí kartáče z převodovky očistěte trávu a listí. V případě potřeby použijte rukavice.
 - Větrací otvory musí být za všech okolností průchozí a bez nečistot.
 - Zkontrolujte, zda je žací hlavice zcela připojená k vyžínáči.
 - Před zahájením práce musí být upevněny všechny ochranné kryty a rukojeti.
 - Zkontrolujte, zda je výrobek v perfektním provozním stavu. Zkontrolujte, zda jsou všechny matice a šrouby dotažené.
 - Zkontrolujte strunovou hlavu a kryt vyžínáče, zda nejsou poškozeny nebo nemají trhlinky. Vyměňte strunovou hlavu nebo ochranný kryt vyžínáče, pokud byly vystaveny úderu nebo pokud jsou na nich praskliny. Vždy používejte doporučený kryt pro řezací nástavec, který používáte. podívejte se do části *Technické údaje na strani 419*.
 - Při neopatrném nebo nesprávném použití se stává tento výrobek velmi nebezpečným nástrojem. Tento výrobek může způsobit obsluze a dalším osobám vážné zranění.
 - Toto zařízení není určeno k použití osobami (včetně dětí) s omezenými fyzickými, smyslovými nebo duševními schopnostmi nebo s nedostatečnými zkušenostmi či znalostmi, pokud nejsou pod dozorem nebo pokud jim osobou zodpovídající za jejich bezpečnost nebyly sděleny pokyny k používání zařízení. Děti musí být pod dozorem, který zajistí, aby si se zařízením nehrály.
 - Nenechte nikdy děti používat stroj nebo se zdržovat v jeho blízkosti. Jelikož lze zařízení snadno spustit, mohou jej spustit i děti, pokud nejsou celou dobu pod dozorem. Tím může dojít k nebezpečí vážného úrazu. Proto ze zařízení v době, kdy není plně pod dozorem, vždy vyjměte baterii.
 - Výrobek ani baterii nikdy nedovolte používat dětem nebo osobám, které nejsou k jejich používání vyškoleny.
 - Skladujte zařízení v uzamykatelném prostoru mimo dosah dětí a nepovolanych osob.
 - Při uskladnění a přepravě musí být vždy použit přepravní kryt.
 - Po celou dobu práce se strojem a obzvláště ve chvíli zapínání motoru držte ruce a nohy v bezpečné vzdálenosti od oblasti sečení.
 - Při vypnutí výrobku se rukama ani nohama nepřibližujte k řezacímu nástavci, dokud se zcela nezastaví.
 - Neodstraňujte posečený nebo pořezaný materiál ani jej nedovolte odstraňovat jiným osobám, pokud je výrobek aktivován nebo se sekací zařízení otáčí; může dojít k vážnému zranění.
 - Odpovědností obsluhy je, aby lidé nebo jejich majetek byli chráněni před nehodami a dalšími riziky.
 - Konstrukce produktu nesmí být za žádných okolností upravována bez svolení výrobce. Vždy používejte originální příslušenství. Nepovolené úpravy nebo příslušenství mohou vést k vážnému nebo smrtelnému zranění obsluhy nebo jiných osob. Vaše záruka se nemusí vztahovat na poškození krytu nebo odpovědnost za škody, pokud jsou způsobeny použitím neoprávněného příslušenství nebo náhradních dílů.
 - Jediným příslušenstvím, které se smí používat spolu s tímto výrobkem, jsou sekací nástavce doporučené v kapitole Příslušenství. podívejte se do části *Příslušenství na strani 420*.
 - Nikdy nepoužívejte výrobek, jehož konstrukce byla jakkoli pozměněna oproti jeho původním specifikacím.
 - Nikdy nepoužívejte výrobek, který není zcela v pořádku. Dodržujte pokyny pro kontroly, údržbu a servis popsané v této příručce. Některé úkony údržby a opravy mohou provádět pouze vyškolení a kvalifikovaní odborníci. Viz pokyny v části Údržba.
 - Práce za nepříznivého počasí je únavná a často může zahrnovat další nebezpečí. Kvůli dalším možným nebezpečím nedoporučujeme používat stroj za špatného počasí, například v husté mlze, prudkém dešti, silném mrazu, při riziku výskytu blesků atd.
 - Nikdy nepracujte ze žebříku, stoličky nebo v jiné zvýšené poloze, která není dokonale zajištěna.
 - Skladujte zařízení ve vnitřních prostorech – zařízení je třeba uložit do vnitřního prostoru, pokud se nepoužívá.
 - Není možné zmínit všechny představitelné situace, se kterými se můžete setkat. Buďte stále opatrní a používejte zdravý rozum. Vyhněte se všem situacím, o kterých se domníváte, že jsou nad vaše možnosti. Pokud si ani po přečtení tohoto návodu nebudete jisti, jak stroj správně používat, než budete pokračovat v práci, obraťte se na odborníka.
 - Zajistěte, aby se během práce nevyskytovaly v okruhu 15 metrů žádné osoby nebo zvířata. Pokud na stejném pracovišti pracuje více uživatelů, musí být udržována bezpečnostní vzdálenost nejméně 15 metrů. Jinak hrozí nebezpečí vážného zranění osob. Jestliže se někdo přiblíží, okamžitě vypněte výrobek. Nikdy neotáčejte výrobek, aniž byste se nejprve podívali za sebe a zkontrolovali, zda se někdo nenachází v bezpečnostní zóně.
 - Zajistěte, aby další osoby, zvířata nebo jiné věci nemohly ovlivnit vaši kontrolu nad výrobkem a aby nemohly přijít do kontaktu se sekacím nástavcem

nebo volnými předměty, které odmrští sekací nástavec. Nepracujte ale s výrobkem, nemáte-li možnost přivolat pomoc v případě nehody.

- Ujistěte se, že se můžete volně pohybovat a bezpečně stát. Zkontrolujte, zda ve vašem bezprostředním okolí nejsou nějaké překážky (kořeny, kameny, větve, jámy, příkopy apod.), pro případ, že by bylo nutné se rychle přesunout. Zvláštní pozornost věnujte práci ve svažitém terénu.
- Stroj používejte za chůze, nikdy za běhu.
- Zkontrolujte pracovní prostor. Odstraňte veškeré volné předměty, jako jsou kameny, střepy, hřebíky, ocelové dráty, šňůry apod., které by mohly být odmrštěny nebo zachyceny sekacím zařízením nebo krytem sekacího zařízení.
- Dávejte pozor na větve nebo pahýly, které mohou během řezání odlétávat. Nesekejte příliš blízko u země, odkud by mohly odlétávat kameny nebo jiné předměty.
- Dbejte na to, aby se žádné části oděvu nebo těla nedostaly do kontaktu s řezacím nástavcem aktivovaného výrobku. Udržujte výrobek pod úroveň pasu.
- Dejte pozor na odmrštěné předměty. Použijte vždy schválenou ochranu očí. Nikdy se nenahýbejte nad kryt sekacího nástavce. Odlétávající kamení nebo jiný materiál může zasáhnout oči a způsobit oslepnutí nebo jiná vážná zranění.
- Používáte-li ochranu sluchu, vždy je nutné dávat pozor na výstražné signály nebo volání. Sejměte vždy ochranu sluchu ihned po zastavení výrobku.
- Pokud dojde k nežádoucím vibracím, poklepem vysuňte žací strunu na správnou délku a vibrace by měly přestat.
- Pokud výrobek začne nezvykle vibrovat, zastavte jej a vyjměte baterii.
- Nadměrné vystavení vibracím může u osob se zhoršenou funkcí krevního oběhu vést k poruchám oběhového nebo nervového systému. V případě, že byste pocítili příznaky obtíží způsobených nadměrným vystavením vibracím, obraťte se na svého lékaře. Mezi tyto příznaky patří strnulost končetin, ztráta citu, mravenčení, píchání, bolest, zeslábnutí, změna barvy nebo vzhledu pokožky. Tyto příznaky se obvykle objevují v prstech, na ruce nebo v zápěstí.
- Vždy držte výrobek oběma rukama. Výrobek držte po své pravé straně.

Osobní ochranné prostředky



VÝSTRAHA: Před použitím výrobku si přečtěte následující varování.

- Při použití výrobku je nutné vždy používat schválené osobní ochranné prostředky. Osobní ochranné prostředky nemohou zcela eliminovat nebezpečí úrazu, ale v případě nehody pomáhají snížit míru

poranění. Požádejte prodejce, aby vám pomohl vybrat správné vybavení.

- Používejte ochrannou přilbu tam, kde hrozí nebezpečí padajících předmětů.
- Použijte schválenou ochranu sluchu s dostatečným tlumícím účinkem. Dlouhodobé vystavování působení hluku může vést k trvalému poškození sluchu.
- Vždy používejte schválenou ochranu očí. Použijete-li štít, je nutno použít i schválené ochranné brýle. Schválené ochranné brýle musí být v souladu s normou ANSI Z87.1 v USA nebo EN 166 v zemích EU.
- Pro ochranu obličeje používejte ochranný štít. Ochranný štít není dostatečná ochrana očí. (Obr. 9)
- Při určitých činnostech používejte rukavice, například při nasazování, prohlídce nebo čištění řezacího zařízení.
- Používejte pevnou, neklouzavou obuv.
- Noste oblečení vyrobené z pevné tkaniny. Vždy používejte silné, dlouhé kalhoty a dlouhé rukávy. Nepoužívejte volné oblečení, které se může zachytit o keře nebo větve. Nepoužívejte šperky, krátké kalhoty nebo sandály a nepracujte bosí. Stáhněte si vlasy bezpečně nahoru nad úroveň ramen.

(Obr. 10)

- Mějte při ruce lékárníčku.

(Obr. 11)

Bezpečnostní zařízení na produktu



VÝSTRAHA: Před použitím výrobku si přečtěte následující varování.

V této části je popsáno bezpečnostní vybavení výrobku, jeho účel a způsob provádění kontroly a údržby k zajištění správného provozu. Viz pokyny v části *Úvod na straně 409* pro informace o umístění těchto dílů na výrobku.

Životnost výrobku se může zkracovat a riziko úrazů zvyšovat, jestliže se údržba neprovádí správně anebo se opravy neprovádějí odborně. Pokud potřebujete další informace, obraťte se na nejbližší servisního prodejce.



VÝSTRAHA: Nikdy výrobek nepoužívejte s poškozenými bezpečnostními součástmi. Kontrolu a údržbu bezpečnostního vybavení výrobku je nutno provádět podle postupů uvedených v této části. V případě, že by výrobek nevyhověl při jakékoli z těchto kontrol, je nutno vyhledat autorizované servisní středisko a nechat závadu odstranit.



VAROVÁNÍ: Servis a opravy stroje vyžadují speciální odborné školení. To se zvláště týká servisu a oprav bezpečnostního zařízení stroje. V případě, že by stroj nevyhověl při některé z níže uvedených kontrol, je nutno vyhledat servisní opravnu. Každému zákazníkovi, který zakoupí kterýkoli z našich výrobků, zaručujeme dostupnost profesionálních oprav a servisních prací. Pokud prodejce, který vám stroj prodal, neposkytuje servisní práce, požádejte jej o adresu naší nejbližší servisní opravny.

- Před spuštěním výrobku zkontrolujte, zda jsou kryt a hřídel správně namontovány.
- Pokud je s nástavcem dodáván nosný popruh, musí být nosný popruh správně připojen k výrobku. Popruh zajišťuje bezpečný provoz a zabraňuje zranění obsluhy nebo jiných osob.

Bezpečnostní pokyny týkající se baterií



VÝSTRAHA: Před použitím výrobku si přečtěte následující varování.

- Používejte výhradně schválené baterie Husqvarna. podívejte se do části *Schválené baterie na strani 419*. Baterie jsou softwarově zašifrovány.
- Používejte pouze schválené baterie Husqvarna vhodné jako zdroj napájení pro související výrobky Husqvarna. Abyste zabránili zranění, nepoužívejte baterii jako zdroj napájení pro jiná zařízení.
- Nebezpečí úrazu elektrickým proudem. Svorky baterie nepřipojujte ke klíčům, mincím, šroubkům nebo jiným kovovým předmětům. Může to způsobit zkrat baterie.
- Nepoužívejte baterie, které nejsou určené k dobíjení.
- Nevkládejte do větracích otvorů baterie žádné předměty.
- Chraňte baterii před sluncem, teplem nebo otevřeným ohněm. Baterie může způsobit popáleniny nebo chemické popáleniny.
- Chraňte baterii před deštěm a vlhkým prostředím.
- Chraňte baterii před mikrovlnami a vysokým tlakem.
- Baterii nikdy nerozebírejte nebo nerozbíjejte.
- Pokud baterie netěsní, kapalina nesmí přijít do styku s kůží a očima. Po styku s kapalinou omyjte zasaženou oblast velkým množstvím vody s mýdlem a vyhledejte lékařskou pomoc. Při zasažení očí kapalinou si je nemněte, ale vyplachujte je velkým množstvím vody po dobu minimálně 15 minut a vyhledejte lékařskou pomoc.
- Baterii použijte při teplotě -10 až 40 °C.
- Baterii ani nabíječku baterií nečistěte vodou. podívejte se do části *Čištění výrobku, baterie a nabíječky baterií na strani 417*.
- Nepoužívejte výrobek, který je poškozený nebo nefunguje správně.
- Baterie uchovávejte mimo dosah kovových předmětů, jako jsou např. hřebíky, šrouby nebo šperky.
- Uchovávejte baterie mimo dosah dětí.

Bezpečnostní pokyny pro nabíječku baterií



VÝSTRAHA: Před použitím výrobku si přečtěte následující varování.

Kontrola uživatelského rozhraní

1. Podržte stisknutý vypínač (A). (Obr. 12)
 - a) Výrobek je zapnutý, když se rozsvítí displej (B).
 - b) Výrobek je vypnutý, když displej zhasne.
2. Pokud svítí nebo bliká varovná kontrolka na displeji, řiďte se pokyny v části *Klávesnice na strani 418*.

Kontrola pojistky páčky spínače

Pojistka páčky spínače slouží k zamezení nechtěnému spuštění výrobku. Pokud zatlačíte pojistku páčky spínače dopředu (A) a poté přitlačíte pojistku páčky spínače k rukojeti (B), páčka spínače (C) se uvolní. Při uvolnění rukojeti se spouštěč a pojistka spouštěče vrátí zpět do svých původních poloh. Tento pohyb je řízen třemi nezávislými pružinami. (Obr. 13)

1. Je-li pojistka ve své původní poloze, ujistěte se, zda je zajištěna páčka spínače. (Obr. 14)
2. Zatlačte pojistku páčky spínače dopředu (A) a dolů. Přidržejte pojistku spínače proti rukojeti (B) a zkontrolujte, zda se po uvolnění vrátí do své původní polohy. (Obr. 15)
3. Zkontrolujte, zda se páčka spínače a pojistka páčky spínače volně pohybují a zda vratná pružina funguje správně. (Obr. 16)
4. Stisknutím vypínače výrobek zapněte.
5. Stiskněte nadoraz páčku spínače, abyste dosáhli plných otáček.
6. Uvolněte páčku spínače a zkontrolujte, zda se řezací nástavec zastavil a zůstává v klidu.

Bezpečnostní pokyny pro montáž



VÝSTRAHA: Přečtěte si tento návod k pohonné jednotce společně s návodem ke schválenému příslušenství.

- Před montáží výrobku z něj vyjměte baterii.
- Používejte schválené ochranné rukavice.
- Poškozený nebo nesprávný kryt může způsobit zranění. Nepoužívejte sekací nástavec bez připevněného schváleného krytu.

- Pokud nejsou bezpečnostní pokyny dodržovány, hrozí nebezpečí úrazu elektrickým proudem nebo zkrat.
- Nepoužívejte nabíječku, která nebyla dodána s výrobkem. K nabíjení schválených baterií Husqvarna používejte výhradně schválenou nabíječku Husqvarna. Viz pokyny v části *Technické údaje na strani 419*.
- Nabíječku baterií nerozebírejte.
- Nepoužívejte nabíječku baterií, která je poškozená nebo nefunguje správně.
- Nabíječku nezvedejte pomocí napájecího kabelu. Když nabíječku baterií odpojujete z elektrické zásuvky, tahejte za zástrčku. Netahejte za napájecí kabel.
- Všechny kabely včetně prodlužovací udržujte mimo dosah vody, oleje a ostrých hran. Dejte pozor, aby se kabel nezachytil mezi předměty, například do dveří, za plot a podobně.
- Nabíječku nepoužívejte v blízkosti hořlavých nebo korozivních materiálů. Zkontrolujte, zda není nabíječka baterií poškozená. V případě, že zaznamenáte kouř nebo požár, vytáhněte zástrčku kabelu nabíječky baterií ze zásuvky.
- Baterii nabíjejte pouze uvnitř, a to v místech s dobrým prouděním vzduchu a mimo dosah slunečního světla. Nenabíjejte baterii venku. Nenabíjejte baterii ve vlhkém prostředí.
- Používejte nabíječku baterií pouze v místech, kde je teplota v rozsahu 5 až 40 °C. Nabíječku používejte v době větraném, suchém a bezprašném prostředí.
- Nevkládejte do chladících otvorů nabíječky baterií žádné předměty.
- Nepřipojujte svorky nabíječky baterií ke kovovým předmětům, protože by mohlo dojít ke zkratování nabíječky.

- Používejte schválené a nepoškozené síťové zásuvky. Zkontrolujte, zda není šňůra nabíječky baterií poškozena. Pokud používáte prodlužovací kabely, zkontrolujte, zda nejsou poškozeny.

Bezpečnostní pokyny pro údržbu



VÝSTRAHA: Před prováděním údržby výrobku si přečtěte následující varování.

- Před prováděním údržby, kontroly nebo montáže výrobku vyjměte baterii.
- Obsluha smí provádět pouze takové údržbařské a servisní úkony, které jsou popsány v tomto návodu k používání. Před provedením údržby a servisu většího rozsahu se obraťte na servisního prodejce.
- Baterii ani nabíječku baterií nečistěte vodou. Silné čisticí prostředky mohou způsobit poškození plastových dílů.
- Pokud byste neprováděli údržbu, podstatně by se zkrátil životní cyklus výrobku a zvýšilo se nebezpečí nehod.
- K provádění servisu a oprav je nutné speciální školení, zejména co se týče bezpečnostních zařízení. Pokud není možné po provedení údržby schválit všechny kontroly uvedené v tomto návodu k používání, obraťte se na servisního prodejce. Garantujeme, že jsou pro váš výrobek k dispozici profesionální opravy a servis.
- Používejte pouze originální náhradní díly.
- Při manipulaci se stříhacím nástavcem vždy používejte silné rukavice. Nože jsou mimořádně ostré a mohou snadno způsobit zranění.

Montáž

Montáž držadla ve tvaru „D“

1. Připevněte držadlo ve tvaru „D“ na hřídel mezi šipky. Neumíst'ujte držadlo ve tvaru „D“ ani závěsný kroužek na štítek. (Obr. 17)
2. Vsuňte distanční podložku do drážky v držadle ve tvaru „D“.
3. Namontujte matici, knoflík a šroub, ale neutahujte je.
4. Nastavte výrobek do pohodlné polohy.
5. Dotáhněte šroub.

Sestavení dvoudílného hřídele

1. Otáčením knoflíku povolte spojku. (Obr. 18)
2. Zarovnejte zarážku (A) se šipkou (B) na spojce. (Obr. 19)
3. Zasuňte hřídel do spojky, až zacvakne na své místo. (Obr. 20)
4. Řádně dotáhněte knoflík. (Obr. 21)

Demontáž dvoudílné hřídele

1. Otočením knoflíku o 3 otáčky nebo více povolte spojku. (Obr. 22)
2. Stiskněte a podržte tlačítko (C).
3. Pevně přidržte konec hřídele, ke kterému je připojen motor.
4. Vytáhněte nástavec ze spojky. (Obr. 23)

Montáž závěsného kroužku, je-li k dispozici

1. Vložte závěsný kroužek mezi šipky na zadní rukojeti a držadlo ve tvaru „D“. (Obr. 24)

Povšimněte si: Držadlo ve tvaru „D“ nesmí být umístěno na štítku.

2. Nastavte kroužek tak, aby byl výrobek vyvážený a snadno použitelný.

Úvod



VÝSTRAHA: Než začnete s výrobkem pracovat, přečtěte si důkladně kapitolu o bezpečnosti.

Husqvarna Connect

Husqvarna Connect je bezplatná aplikace pro mobilní zařízení. Aplikace Husqvarna Connect dodá vašemu výrobku Husqvarna doplňkové funkce.

- Rozšířené informace o výrobku.
- Informace o dílech a servisu a nápověda pro tyto položky.

Jak začít používat aplikaci Husqvarna Connect

1. Stáhněte si aplikaci Husqvarna Connect do svého mobilního zařízení.
2. V aplikaci Husqvarna Connect se zaregistrujte.
3. Při připojování a registraci výrobku postupujte podle pokynů v aplikaci Husqvarna Connect.

Povšimněte si: Aplikace Husqvarna Connect není dostupná ke stažení na všech trzích. Další informace získáte u svého prodejce poskytujícího servis.

Instalace baterie do výrobku



VÝSTRAHA: Ve výrobku použijte výhradně originální baterie Husqvarna.

1. Zkontrolujte, zda je baterie plně nabitá.
2. Zatlačte baterii do držáku baterie výrobku. Baterie je zajištěná na místě, jakmile uslyšíte cvaknutí. (Obr. 25)



VAROVÁNÍ: Pokud nelze baterii snadno zasunout do držáku baterie, baterie je špatně vložená. Můžete tím výrobek poškodit.

3. Zkontrolujte, zda je baterie instalovaná správně.

Nabití baterie

Povšimněte si: Před prvním použitím baterii nabijte. Nová baterie je nabitá pouze na 30 %.

1. Zkontrolujte, zda je baterie suchá.
2. Vložte baterii do nabíječky baterií. (Obr. 26)

Povšimněte si: Baterie a nabíječka různých modelů mohou vypadat jinak, ale postup je stejný.

3. Zkontrolujte, zda se na nabíječe rozsvítí zelená kontrolka nabíjení. To znamená, že je baterie správně připojena k nabíječe baterií.
4. Až se rozsvítí všechny kontrolky LED na baterii, baterie je plně nabitá. (Obr. 27)
5. Při odpojování nabíječky baterií od elektrické zásuvky tahejte za zástrčku. Netahejte za kabel.
6. Vyměňte baterii z nabíječky.

Povšimněte si: Další informace naleznete v návodech k baterii a k nabíječe baterií.

Pracovní poloha

- Výrobek držte pevně oběma rukama.
- Výrobek držte po své pravé straně.
- Řezací nástavec udržujte pod úrovní pasu.
- Udržujte části těla v bezpečné vzdálenosti od horkých povrchů.
- Udržujte části těla v bezpečné vzdálenosti od řezacího nástavce.

Před použitím výrobku

- Prohlédněte pracovní oblast, abyste se seznámili s typem terénu a jeho sklonem a zjistili, zda se na místě nevyskytují nějaké překážky, například kameny, větve nebo jámy.
- Proveďte celkovou prohlídku výrobku.
- Proveďte bezpečnostní kontroly a postupy údržby a servisu, které jsou uvedeny v tomto návodu.
- Zkontrolujte, zda jsou řádně připevněny všechny kryty, ochranné kryty, rukojeti a příslušenství a zda nejsou poškozené.

Spuštění výrobku

1. Stiskněte vypínač, dokud se nerozsvítí zelená kontrolka LED. (Obr. 28)
2. K ovládání rychlosti použijte páčku spínače.

Omezení maximálních otáček pomocí tlačítka režimu

Tento výrobek je vybaven tlačítkem režimu. Pomocí tlačítka režimu může obsluha omezit maximální otáčky. Tlačítko režimu má 3 úrovně otáček. Nižší úroveň prodlužuje dobu provozu výrobku. Tlačítko režimu má 3 úrovně otáček. Nižší úroveň prodlužuje dobu provozu výrobku. Úrovně 1 a 2 použijte, pokud provoz nevyžaduje plné otáčky / plný výkon. Pokud provozní podmínky vyžadují plné otáčky / plný výkon, použijte

úroveň 3. Nepoužívejte vyšší úroveň, než je nezbytně nutné pro provedení operace.

1. Stisknutím tlačítka režimu nastavíte limit na maximální otáčky. Zapnutí funkce signalizují bílé kontrolky LED. (Obr. 29)
2. Dalším stisknutím tlačítka režimu zvolíte další úroveň otáček.

Funkce automatického vypnutí

Výrobek je vybaven funkcí automatického vypnutí, která vypne výrobek, když jej nepoužíváte déle než 3 minuty.

Zastavení výrobku

1. Uvolněte páčku spínače nebo pojistku páčky spínače.
2. Stiskněte vypínač. (Obr. 30)
3. Stiskněte uvolňovací tlačítka na baterii a vyjměte baterii. (Obr. 31)

Údržba

Úvod



VÝSTRAHA: Před prováděním jakékoli údržby je třeba, abyste si přečetli a porozuměli kapitole bezpečnosti.

Níže je uveden seznam kroků údržby, které musíte provést na výrobku. Kromě údržby uvedené v plánu údržby nechte pravidelně provádět servis výrobku v autorizovaném servisu Husqvarna. Informace o servisních intervalech vám sdělí autorizovaný servis Husqvarna.

Plán údržby



VÝSTRAHA: Před prováděním údržby vyjměte baterii.

Údržba	Denně	Týdně	Měsíčně
Očistěte vnější povrch výrobku suchým hadříkem. Nepoužívejte vodu.	X		
Zkontrolujte, že vypínač funguje správně a není poškozený.	X		
Zkontrolujte správnou funkci páčky spínače a pojistky páčky spínače z hlediska bezpečnosti.	X		
Zkontrolujte, zda fungují všechny ovládací prvky a zda nejsou poškozené.	X		
Udržujte rukojeti suché, čisté a bez zbytků oleje a maziva.	X		
Zkontrolujte, zda jsou šrouby a matice dotažené.	X		
Zkontrolujte, zda fungují tlačítka pro uvolnění baterie na baterii a zda drží baterii ve výrobku.	X		
Zkontrolujte, zda není baterie poškozená.	X		
Zkontrolujte, zda je baterie nabitá.	X		
Zkontrolujte, zda není poškozená nabíječka baterií a zda funguje správně.	X		
Zkontrolujte všechny kabely, spojky a konektory. Zkontrolujte, zda nejsou poškozené a znečištěné.		X	
Zkontrolujte spojení mezi baterií a výrobkem. Zkontrolujte spojení mezi baterií a nabíječkou baterií.			X

Čištění výrobku, baterie a nabíječky baterií

1. Po použití vyčistěte výrobek suchou utěrkou.

2. Vyčistěte baterii a nabíječku baterií suchou utěrkou. Udržujte v čistotě vodící kolejničky baterie.

3. Před vložením baterie do nabíječky baterií nebo výrobku zkontrolujte, zda jsou svorky na baterii a nabíječce baterií čisté.

nepravdělném mazání hrozí nebezpečí, že se konce hnacího hřídele (drážkovaný spoj) u dvoudílných modelů zadřou.
(Obr. 32)

Dvoudílný hřídel

Po každých 30 hodinách provozu naneste na konec hnací hřídele mazivo. Při nedostatečném nebo

Odstraňování problémů

Klávessnice

LED displej	Možné závady	Možná akce
Začne blikat zelená LED kontrolka	Nízké napětí baterie.	Nabijte baterii.
Bliká červená kontrolka LED.	Přetížení.	Sekací nástavec je zaseknutý. Deaktivujte výrobek. Vyměňte baterii. Odstraňte ze sekacího nástavce nežádoucí materiály.
	Odchylka teploty.	Nechte výrobek vychladnout.
	Spouštěč a aktivací tlačítko stiskněte současně.	Uvolněte páčku spínače a dojde k aktivaci zařízení.
Výrobek nespouští.	Znečištěné konektory baterie.	Očistěte konektory baterie stlačeným vzduchem nebo měkkým kartáčem.
Chybová kontrolka LED svítí červeně.	Výrobek vyžaduje servis.	Obraťte se na servisního pracovníka.

Přepava, skladování a likvidace

Přepava a skladování

- Dodané Li-ion baterie podléhají požadavkům legislativy o nebezpečném zboží.
- Dodržujte zvláštní požadavky uvedené na obalu a označení pro komerční přepravu, platí i pro třetí strany a dopravce.
- Než odešlete výrobek, promluvte si s osobou speciálně vyškolenou ohledně manipulace s nebezpečnými materiály. Dodržujte platné celostátní předpisy.
- Před vložením baterie do obalu zalepte rozpojené kontakty páskou. Vložte baterii do obalu a zajistěte ji proti pohybu.
- Před přepravou nebo uskladněním vyjměte baterii.
- Uložte baterii a nabíječku baterií na místo, které je suché a chráněné před vlhkostí a mrazem.
- Neskloďte baterii v místech, kde může docházet k výbojům statické elektřiny. Neskloďte baterii v kovovém obalu.
- Baterii skladujte na místě, kde je teplota v rozsahu 5 až 25 °C a mimo přímé sluneční světlo.
- Nabíječku baterií skladujte na místě, kde je teplota v rozsahu 5 až 45 °C a mimo přímé sluneční světlo.
- Nabíječku baterií používejte pouze při okolních teplotách v rozsahu 5 až 40 °C.
- Před dlouhodobým uskladněním se ujistěte, že je baterie nabitá na 30 až 50 %.
- Uložte baterii a nabíječku baterií do uzavřené a suché místnosti.
- Skloďte baterii mimo nabíječku baterií. Nedovolte, aby se děti nebo neoprávněné osoby dotýkaly zařízení. Uchovávejte zařízení na místě, které lze uzamknout.
- Před dlouhodobým skladováním výrobku jej vyčistěte a proveďte kompletní údržbu.
- Před přepravou a uskladněním umístěte na výrobek přepravní kryt pro prevenci zranění a poškození.
- Během přepravy musí být výrobek bezpečně upevněný.

Likvidace baterie, nabíječky baterií a výrobku

Symbole na produktu nebo obalu znamenají, že tento produkt není domácí odpad. Odevzdejte jej ve stanici pro recyklaci elektrických a elektronických zařízení.

To pomůže eliminovat nebezpečí poškození životního prostředí a zdraví osob.

Další informace o možnostech recyklace vašeho produktu získáte od místních úřadů, služby svozu domovního odpadu nebo prodejce.

Technické údaje

Technické údaje

	325ILK
Motor	
Typ motoru	BLDC (bezkomutátorový) 36 V
Otáčky výstupního hřídele, 1/min	8400
Hmotnost	
Hmotnost (pouze pohonná jednotka), kg	2,9
Emise hluku ^{233, 234}	
Hladina akustického výkonu, změřená dB (A)	89–103
Hladina akustického výkonu, zaručená L _{WA} dB (A)	90–106
Hladiny hluku ^{235, 236}	
Ekvivalentní hladina akustického tlaku v úrovni uší obsluhy, změřená podle normy EN 62841-1, dB(A):	78–93
Úrovně vibrací ^{237, 238}	
Hladiny vibrací v rukojetích, měřené podle normy EN 62841-1, m/s ²	1,3–5,5 / 1,1–3,1

Schválené baterie

Baterie	BLi200	40-B220X
Typ	Lithium-iontová	Lithium-iontová
Kapacita baterie, Ah	5,2	6

²³³ Emise hluku do okolního prostředí měřené jako akustický výkon (LWA) v souladu se směrnicí 2000/14/ES. Uváděná hladina akustického výkonu pro stroj byla měřena s originálním sekacím nástavcem, který generuje nejvyšší hladinu. Rozdíl mezi garantovaným a měřeným akustickým výkonem je v tom, že garantovaný akustický výkon rovněž zahrnuje rozptýlený výsledek měření a rozdíl mezi různými stroji téhož modelu podle Směrnice 2000/14/ES.

²³⁴ Rozsah hluku udává nejnižší až nejvyšší naměřenou hodnotu.

²³⁵ Uváděná data pro hladinu akustického tlaku pro stroj mají typickou statistickou odchylku (standardní odchylku) 3 dB (A), která byla měřena s originálním řezacím nástavcem generujícím nejvyšší hladinu.

²³⁶ Rozsah hluku udává nejnižší až nejvyšší naměřenou hodnotu.

²³⁷ Uváděná data o úrovni vibrací mají typickou statistickou odchylku (standardní odchylku) 2 m/s². Pro srovnání hladiny vibrací akumulátorových výrobků a výrobků se spalovacím motorem použijte kalkulačku vibrací: <https://www.husqvarna.com/cz/sluzby-reseni/kalkulacka-vibraci/>.

²³⁸ Rozsah hluku udává nejnižší až nejvyšší naměřenou hodnotu.

Baterie	BLi200	40-B220X
Jmenovité napětí, V	36	36
Hmotnost, kg (lb)	1,3 (2,9)	1,4 (3,1)

Schválené nabíječky baterí

Nabíječka baterí	QC330	40-C500X
Vstupní napětí, V	100–240	100–240
Frekvence, Hz	50–60	50–60
Výkon, W	330	500

Příslušenství

Nástavce

Schválené nástavce	Číslo nástavce ²³⁹	Skupina nástavců ²⁴⁰	Pro použití s
Nástavec křovinořezu BCA850	1	1–10	325iLK
Nástavec foukače BA101	11	11–20	325iLK
Nástavec se zarovnávačem okrajů trávníků ECA850	21	21–30	325iLK
Nástavec se zarovnávačem okrajů trávníků ESA850	22	21–30	325iLK
Nástavec plotostřihu HA860	32	31–40	325iLK
Nástavec vyvětovací pily na tyči PAX730	41	41–50	325iLK
Nástavec vyvětovací pily na tyči PAX1100	42	41–50	325iLK
Nástavec pily PA1100	43	41–50	325iLK
Nástavec zametače SR600-2	51	51–60	325iLK
Nástavec se štětinovým kartáčem BR600	52	51–60	325iLK
Nástavec odmechovače DT600	53	51–60	325iLK
Nástavec kultivátoru CA230	54	51–60	325iLK
Nástavec na odstraňování plevelu RA850	2	1–10	525iLK

²³⁹ Toto je specifické číslo schváleného nástavce v rámci skupiny nástavců.

²⁴⁰ Schválené nástavce jsou rozděleny do skupin nástavců. Každá skupina nástavců má podobné prvky a štítky.

Prohlášení o shodě

Prohlášení o shodě EU

Společnost **Husqvarna AB**, SE-561 82 Huskvarna,
Švédsko, tel.: +46-36-146500, na svou výhradní
odpovědnost prohlašuje, že výrobek:

Popis	Akumulátorová napájecí jednotka (vyžinač)
Značka	Husqvarna
Typ/Model	325iLK (holá jednotka)
Identifikace	Výrobní čísla od roku 2024 a dále

je zcela ve shodě s následujícími směrnici a předpisy
EU:

Směrnice/předpis	Popis
2006/42/ES	„o strojních zařízeních“
2014/30/EMC	„o elektromagnetické kompatibilitě“
2011/65/EU	„o zakázaných látkách“
2000/14/ES	„o venkovním hluku“

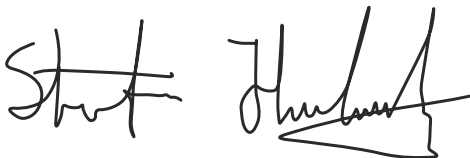
a že byly použity následující normy
nebo technické specifikace: EN ISO
12100:2010, EN 62841-1:2015+AC:2015+A11:2022, EN
62841-4-2:2019+A11:2022+A1:2022, IEC 62841-4-4:
2020+A1:2024, IEC 62841-4-6:2022, ISO 11449:1994,
EN ISO 11680-1:2021, EN 61000-6-3:2007+A1:2011,
EN 61000-6-1:2016, EN IEC 63000:2018.

Institut SMP Svensk Maskinprovning AB., Box 4053,
SE-904 03 Umeå, Sweden provedl dobrovolnou typovou
zkoušku podle dodatku IX směrnice 2006/42/ES. Č.
certifikátu: SEC/24/2593.

Oznámený subjekt: Společnost SMP Svensk
Maskinprovning AB, rovněž ověřila shodu s přílohou V
směrnice Evropského parlamentu a Rady 2000/14/ES.
Č. certifikátu: 01/1610/013.

Informace o emisích hluku najdete v části *Technické
údaje na strani 419*.

Huskvarna, 2024-02-01



Stefan Holmberg, ředitel výzkumu a vývoje,
management technologií, Husqvarna AB, Švédsko

Osoba odpovědná za technickou dokumentaci



Husqvarna®

www.husqvarna.com

Original instructions
Bruksanvisning i original
Originale instruktioner
Alkuperäiset ohjeet
Originale instruksjoner
Instructions d'origine
Originale instructies
Istruzioni originali
Instrucciones originales
Originalanweisungen

Оригінальні інструкції
Оригинальные инструкции
Eredeti útmutatás
Instruções originais
Оригинални инструкции

Oryginalne instrukcje
Instruções iniciais
Originaaljuhend
Lietošanas pamācība
Originalios instrukcijos
Pôvodné pokyny
Αρχικές οδηγίες
原始说明
Orjinal talimatlar
取扱説明書原本
Originalne upute
Originalna uputstva
Izvirna navodila
Originalna uputstva
Původní pokyny



1143941-38



2025-02-20