

# PERFORMANCE DATA

PAVER (STAGE V)

BF 600 C-3



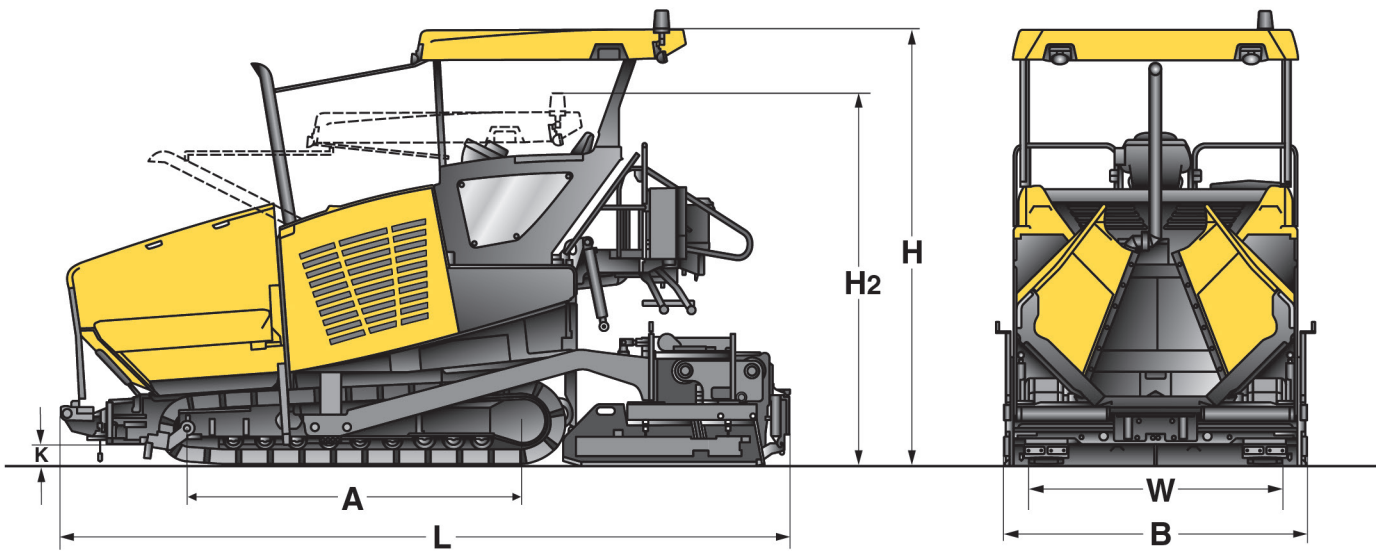
Greatest durability



Shorter set-up times

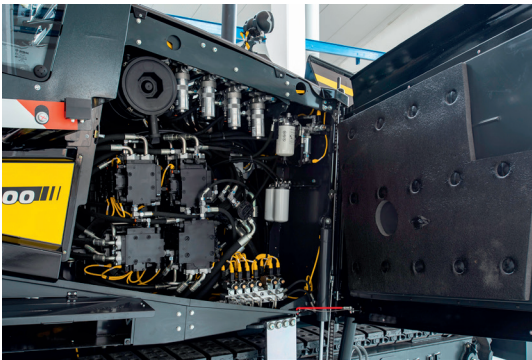


Exemplary efficiency



### Dimensions in mm

	A	B	H	H <sub>2</sub>	L	W
BF 600 C-3 S 500	2975	2550	3865	3190	6540	2255
BF 600 C-3 S 600	2975	3000	3865	3190	6540	2255



Save up to 17 % fuel – demand-driven hydraulics – with BOMAG ECOMODE.



Full control from the side. The integrated levelling controller and automatic inclination ensure perfect quality.



The new control centre. The intuitive operator interface not only provides all the necessary information, but also supports the operator with assistance functions.



The right position in any situation – the comfortable driver's cab with swivel seat concept.

## Technical Data

## BOMAG BF 600 C-3

### Weight CECE

With S 500 screed / with S 600 screed ..... kg 21000 / 21500

### Dimensions

Transport length ..... mm 6360  
Transport width ..... mm 2550 / 3000  
Transport height ..... mm 3061

### Travel characteristics

Travel speed ..... km/h 0-4  
Working speed ..... m/min 0-25 variable

### Drive

Engine manufacturer ..... DEUTZ  
Type ..... TCD 6.1 L06  
Emission stage ..... Stage V / TIER 4f  
Cooling ..... liquid  
Number of cylinders /Displacement..... 6  
Rated power ..... kW 116  
Auger diameter ..... min<sup>-1</sup> 2000

### Crawler assembly

Total length ..... mm 2975  
Width ..... mm 300

### Hopper

Capacity ..... m<sup>3</sup> 7,0  
Width (wings open)..... mm 3360  
Width (wings closed) ..... mm 2490  
Length ..... mm 1900  
Filling height (middle) ..... mm 563

### Conveyor

Number ..... 2  
Rotary speed ..... U/min 64  
Individual control ..... Standard  
Reversing operation ..... yes

### Auger

Number ..... 2  
Auger diameter ..... mm 350  
Rotary speed ..... U/min 100  
Reversing operation ..... Standard

### Screed

Basic width retracted ..... mm S 500 / S 600  
Basic width extended ..... mm 2500 / 3000  
Min. width with reduction skids ..... mm 5000 / 6000  
Mat thickness ..... mm 1650 / 2100  
Screed plate depth ..... mm 300  
Screed plate thickness ..... mm 400  
Heating ..... mm 15  
Crown ..... % electric  
Tmaper frequency ..... Hz -2,5 ... +4,5  
Vibration frequency ..... Hz 0-29  
Basic weight ..... kg 20-58  
Max. working width ..... mm 4400 / 4900

### Filling capacities

Fuel ..... l 285  
Hydraulic oil ..... l 160

## Standard Equipment

### Operator compartment

- SIDEVIEW
- Driver's seat: with swivel and side-shift
- Dashboard protection
- Hydraulic hinged roof
- A-PAVE operating concept
- Intuitive operation through display
- Electronic machine management

### Tractor

- ECOMODE
- Separate control of hopper wings
- Cleaning kit
- Hydraulic, height adjustable auger
- Track scraper
- Hydraulic, height adjustable auger
- Track scraper
- 2 proportionally controlled and reversible wear-resistant cast augers; screw blades separately replaceable
- 2 independent and reversible scraper belts; high-wear resistant plates
- Rubber track pads

### Screed

- L.C.S. Screed relief and traction increase system
- Screed temperature control
- MAGMALIFE Aluminium heating plates
- MAGMALIFE Automatic screed heating
- Mechanical screed lock
- Crown adjustment
- Side control of auger/scraper belts
- Electronic side-mounted driver's stand with display
  - Crown profile and automatic inclination
  - Integrated levelling controller
  - Material calculator

### Other

- Tools
- 8 LED work lights
- Three phase generator
- Socket 230 volt

## Optional Equipment

### Operator compartment

- Hydraulic/electric movable SIDEVIEW platform
- Side windscreened platform
- Seat warmer
- Asphalt steam extraction
- Advanced operating concept

### Tractor

- Central lubrication system
- Optional paint finish
- Biologically degradable hydraulic oil
- Hydraulic hopper front flap
- Hydraulic suspended and dampened push rollers
- Ultrasonic sensors for conveyor belt control
- Electric track scraper

### Screed

- Hydraulic crown adjustment
- Hinged side plates
- Heated side plates
- S 500 + S 600 extensions:
  - 250 mm
  - 750 mm
  - 1250 mm
- Reduction shoes
- Edge shaper 45°/60°

### Levelling systems

- Height and cross-slope sensing by means of ultrasonic or mechanical sensors

### Other

- Fleet management BOMAG TELEMATIC
- Moon-light balloon
- Joblink data interface
- Truck Dock, stop light system for communication with the truck
- Camera system
- Smart sensors for screed width, tow point and crown

