

PERFORMANCE DATA

PAVER (STAGE V)

BF 300 C-2



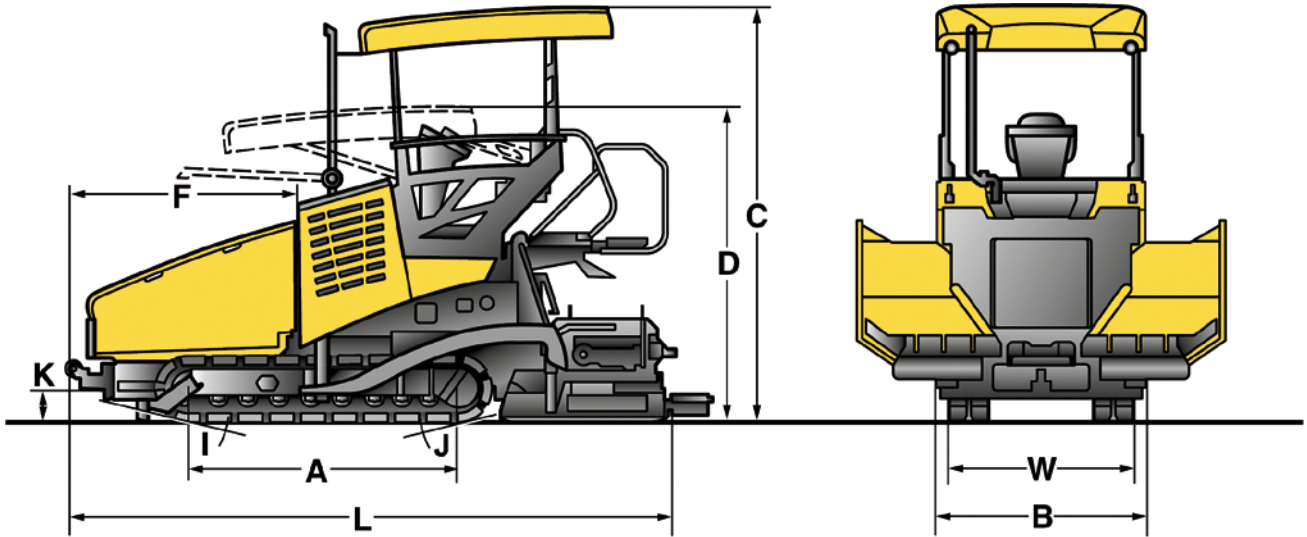
Greatest durability



Shorter set-up times



Exemplary efficiency



Dimensions in mm

	A	B	C	D	F	I	J	K	L	W
BF 300 C-2 S 340-2	2275	1880	3500	2690	1917	13°	16°	268	5050	1452



Hydraulic front gate – for a clean material flow.



Impact-free docking – dampened bumper.



Save up to 17 % fuel – demand-driven hydraulics – with BOMAG ECOMODE.



Heats up nearly 60 % quicker – unique MAGMALIFE heating system.

Technical Data

BOMAG BF 300 C-2

Weight CECE

With S340-2 V screed / S340-2 TV screed kg 10300 / 10400

Dimensions

Transport length mm 5050
Transport width mm 1880
Transport height mm 2690

Travel characteristics

Travel speed km/h 0-4,5
Working speed m/min⁻¹ 0-31 variable

Drive

Engine manufacturer Kubota
Type V3307-CR-T-ESB
Emission stage Stage V / TIER 4f
Cooling liquid
Number of cylinders / Displacement cm³ 4 / 3331
Rated power kW / HP 54,6 / 72,8
Rotary speed m/min⁻¹ 2250

Crawler assembly

Total length mm 2275
Width mm 260

Hopper

Capacity m³ 4,8
Width (wings open) mm 3080
Width (wings closed) mm 1730
Length mm 1760
Filling height (middle) mm 515

Conveyor

Number 2
Rotary speed m/min⁻¹ 37
Individual control Standard
Reversing operation yes

Auger

Number mm 2
Auger diameter mm 280
Rotary speed m/min⁻¹ 87
Reversing operation Standard

Screed

Basic width retracted mm 1700
Basic width extended mm 3400
Min. width with reduction skids mm 700
Mat thickness mm 250
Screed plate depth mm 330
Screed plate thickness mm 12
Heating electric
Crown % -2,5 ... +4,5
Tamper frequency Hz N.A. / 0-25
Vibration frequency Hz 0-60 / 0-60
Basic weight kg 1600 / 1800
Max. working width mm 5000

Filling capacities

Fuel l 93
Hydraulic oil l 74

Technical modifications reserved. Machines may be shown with options. The actual machine weight depends on the respective configuration.

Standard Equipment

Operator compartment

- SIDEVIEW
- Driver's seat: with swivel and side-shift
- Dashboard protection
- Hydraulic hinged roof
- Digital display for machine Management

Tractor

- ECOMODE
- Separate control of hopper wings
- Hydraulic, height adjustable auger
- Track scraper
- 2 proportionally controlled and reversible wear-resistant cast augers; screw blades separately replaceable
- 2 independent and reversible scraper belts; high-wear resistant plates
- Rubber track pads
- LED roof working lights

Screed

- L.C.S. Screed relief and traction increase system
- Screed temperature control
- MAGMALIFE Aluminium heating plates
- MAGMALIFE Automatic screed heating
- Mechanical screed lock
- Crown adjustment
- Side control of auger/scraper belts

Other

- Tools
- 8 work lights
- Three phase Generator
- Socket 2 x 240 volt

Optional Equipment

Operator compartment

- Weather protection for platform
- Seat warmer
- Asphalt steam extraction

Tractor

- Central lubrication system
- Optional paint finish
- Biologically degradable hydraulic oil
- Hydraulic hopper front flap
- Spring dampened push rollers

Screed

- Hydraulic crown adjustment
- Heated side plates
- S 340-2 extensions:
 - 300 mm
 - 500 mm
- Reduction shoes

Levelling systems

- Height and cross-slope sensing by means of ultrasonic or mechanical sensors

Other

- Fleetmanagement BOMAG TELEMATIC
- Moon-light balloon
- Additional LED working lights



PRE 891 23 010

05052022 SA04

BOMAG
Hellerwald
D-56154 Boppard
Postfach 5162
D-56149 Boppard
Tel. (0)6742 - 1000
Fax (0)6742 - 3090

